

TECH I VTECH COMMUNICATIONS LTD.

PDL MK3 LINE INTERFACE
RING DETECT, SIDETONE CCT

VTN CAN
PRC0006
DR: HN
CHK: JL
APPR:

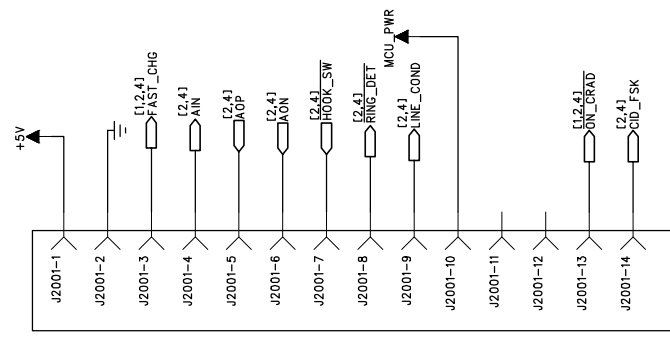
RING DETECT / CID FSK INTERFACE

LINE CONDITION MONITOR

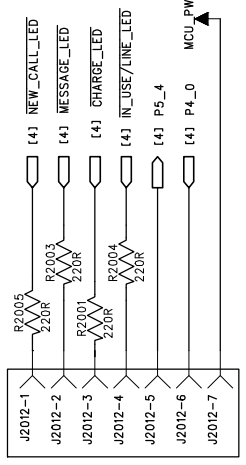
1 2 3 4 5 6

A

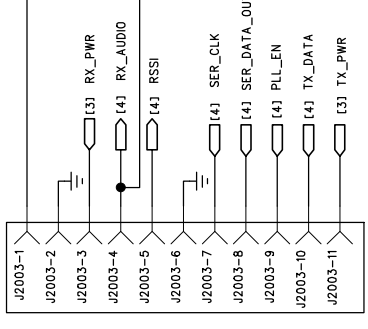
LINE INTERFACE CONNECTOR



KEYBOARD/LED CONNECTOR

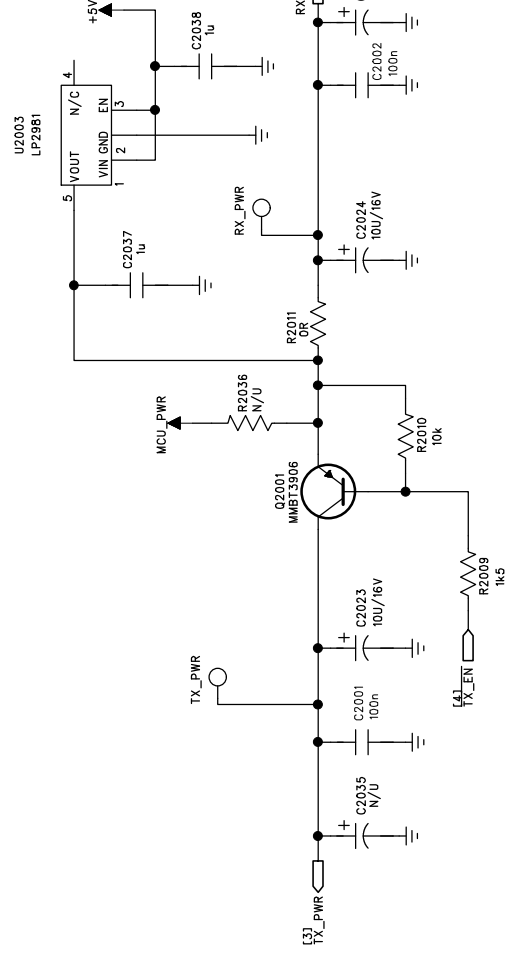


RF CONNECTOR



B

C



HIGHEST REF-DES	
R2040	U2003
C2041	D2001
X2001	S2001
J2012	ZF2000
Q2003	MT2000

MT2000
0.130
1

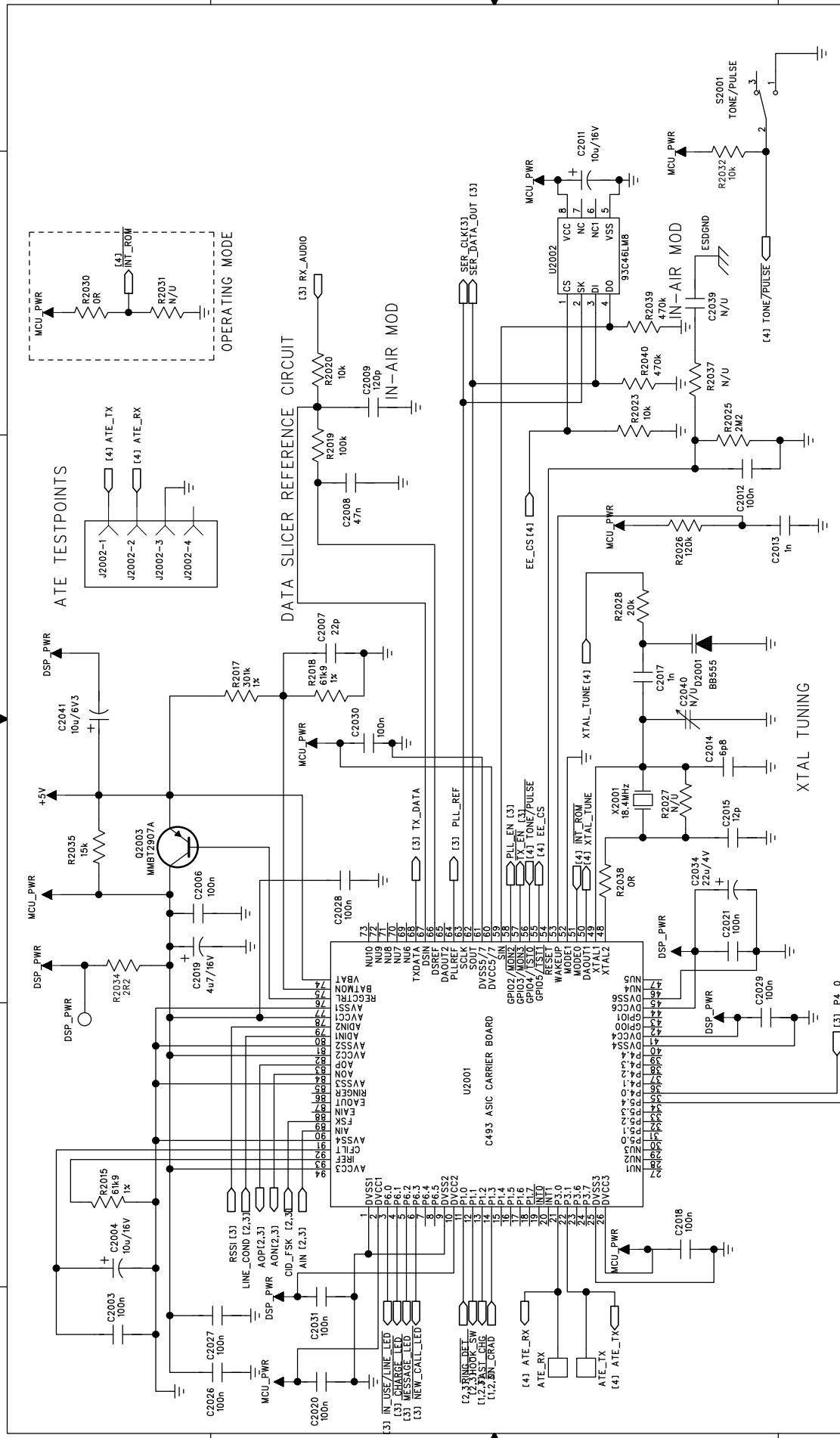
Fiducial
TARGETTOP

TECH VTECH COMMUNICATIONS LTD.

SONY PDLC MK3 (946)	VTN CAN
CONNECTORS & RF POWER	PRC0007
P/N: 65-4446-00-10	APPR:
DR: HN	CHK: JL
	SHT 3 OF 5

1 2 3 4 5 6

D



ECO#	DESCRIPTION	ORIGIN	DATE	SCH FILE#
9709-01	Add 100n caps to filter noise at MCU_PWR Change Data Slicer caps value & crystal tune	HAI	3/9/99	4446-03
9709-04	LP2981 Regulator is added, Crystal tune Corrections to the BOM	HAI	3/16/99	4446-05
9812-07	Add a 15k resistor between 5V and MCU_PWR Slicer caps value change.	HAI	3/24/99	4446-05
9709-08	Charging circuit components change LP2981 Regulator removed. Crystal = 18.4Mhz	HAI	3/27/99	4446-05 1LINT06
9709-11	Change OP-AMP to LMC6036 MCU-DSP PWR resistor is changed to 10R	HAI	5/5/99	4446-05A 1LINT06A
9709-16	LP2981 Regular is added back in	HAI	5/7/99	4446-05A
9709-21	Base ESD ind and cap are added Two 1uF caps are added at the LP2981 Reg.	HAI	5/13/99	4446-06 1LINT07
9709-25	Two 100p caps are installed to help preventing AMI	HAI	6/7/99	1LINT07
9709-28	Charging components value change	HAI	6/10/99	1LINT07
9709-29	Fast Charge/Slow charge implementation	HAI	6/21/99	4446006A 1LINT07A
9709-30	New Sidetone Circuit	HAI	6/25/99	1LINT07A
9709-31	Crystal tune cap is changed from 10p to 12p RESET to ESD ground - prevent DSP lock-up	HAI	7/7/99	4446006B
9709-34A	Add low pass filter at Ringer Circuit	HAI	7/29/99	4446006C
9709-35	ECO for Rev 8 PCB	HAI	8/12/99	44460008
9709-39	Line cond input ratio change to 1:8.33	HAI	12/30/99	4446008A
9709-41	Charger circuit	JSG	1/7/00	1lint10A
9709-42	Bellcore compliance FSK circuit	HAI	1/27/00	44460010
9709-44	Change Tant Cap to Elec Cap	HAI	2/15/00	44460010
9709-48	Change component's rating to pass hi-pots test	HAI	5/8/00	44460010

A

B

C

D

ECO#	DESCRIPTION	ORIGIN	DATE	SCH FILE#
9709-50	Ring Detect circuit mod	KC	5/19/00	44460010
9709-52	Int Rom & EEPROM corruption	HAI	5/24/00	4446010C
9709-57	Data Slicer Circuit	SK	4/29/00	4446010C
9709-58	CORRECTION TO EEPROM MOD	HAI	5/30/00	4446010C
9709-59	Add cap between T&R and ESD_GND	EC	6/8/00	4446010C

A

B

C

D

SCH	STH	FR4	NOTE
44460004	4446-04	4510-00	PA PCBs
44460005	4446-05	4510-01	GA PCBs
44460006	4446-06	4510-02	PR PCBs
44460007	4446-07	4510-03	MP PCBs
44460008	4446-08	4510-04	MP PCBs - MODIFIED BY H.K.
44460009	4446-09	4510-05	MP PCBs
44460010	4446-10	4510-06	MP PCBs. RELEASED: JAN 30, 00



ENGINEERING CANADA LTD.
TELECOM DIVISION

ECO TRACKER

DR: HN

DATE:

SHEET 5 OF 5