



ENGINEERING CANADA LTD.

200-7671 Alderbridge Way, Richmond B.C. Canada V6X 1Z9

FAX: (604) 276-9137

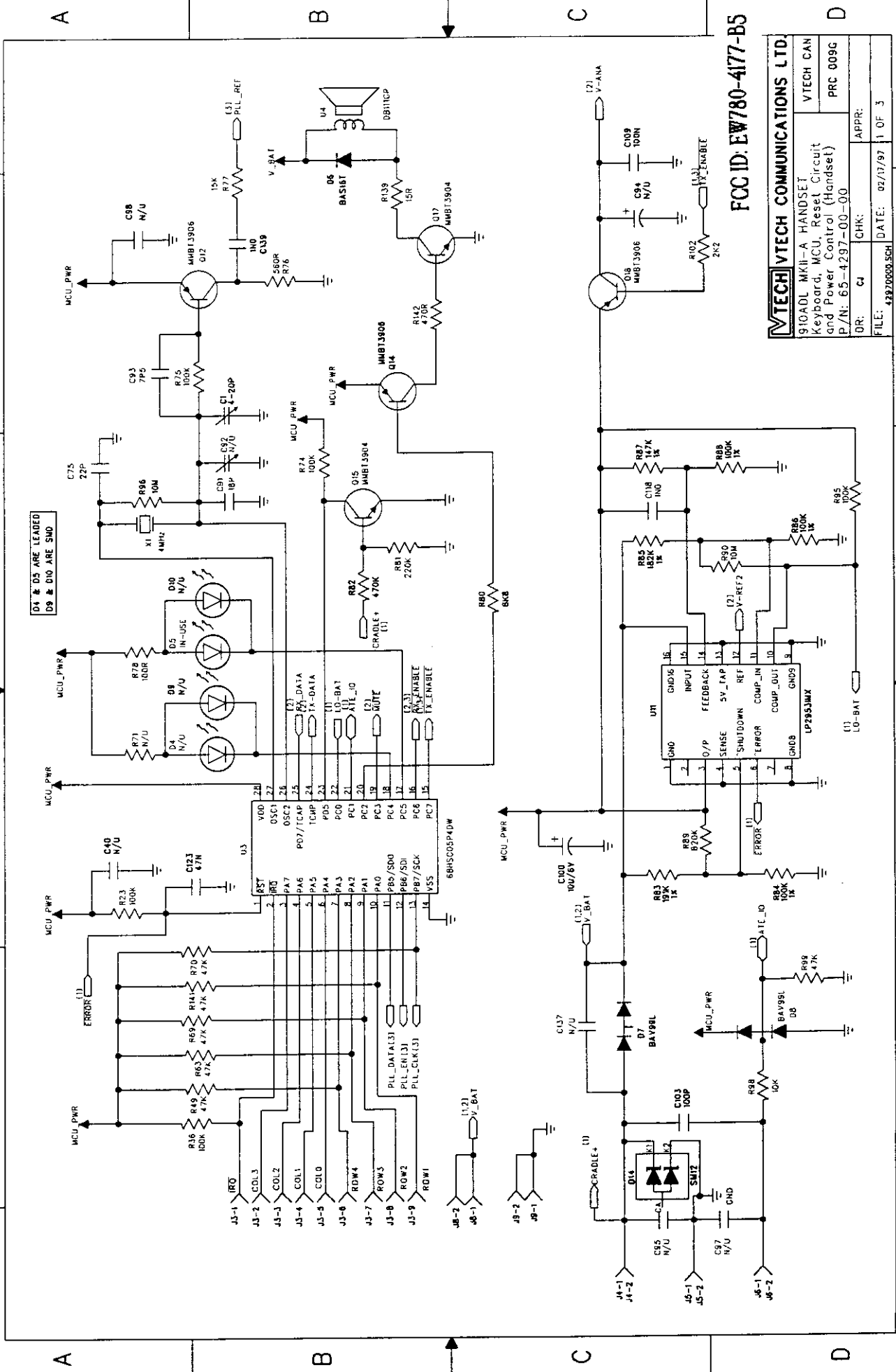
TEL: (604) 273-5131

EXHIBIT D

The VTECH new models **VT9111 & VT9115** are single line analog 900MHz cordless telephone which is capable of DTMF and Pulse network addressing. **VT9111 (black color) & VT9115 (white color)** are identical except cosmetic color. The units are also provided with the following features :-

Base to Handset Page
Memory Dial
Last Number redial.

6
5
4
3
2
1

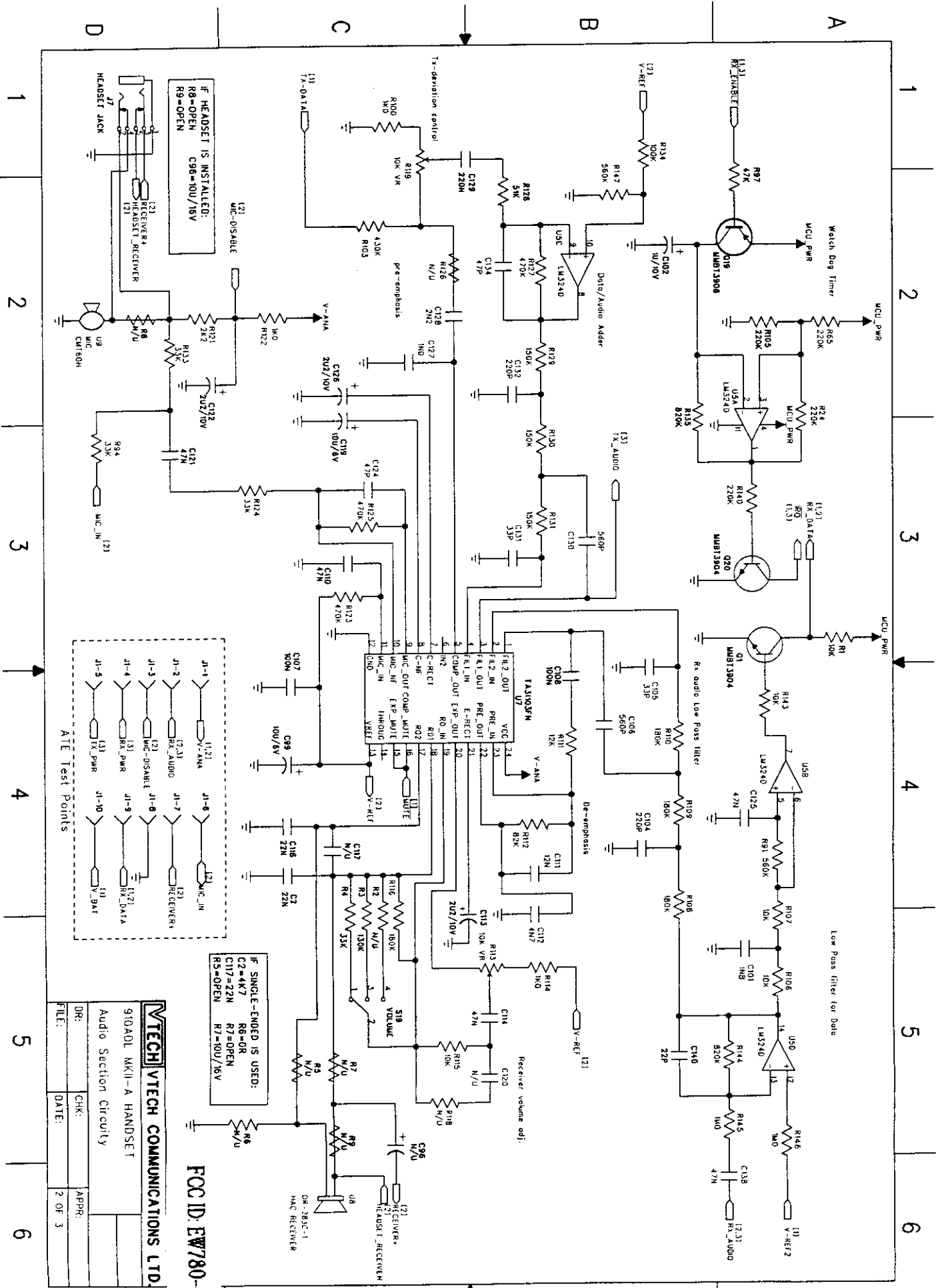


D4 & D5 ARE LEADED
D9 & D10 ARE SMD

FCC ID: EW780-4177-B5

VTECH VTECH COMMUNICATIONS LTD.	
910ADL MKII-A HANDSET	VTECH CAN
Keyboard, MCU, Reset Circuit	PRC 009C
and Power Control (Handset)	P/N: 65-4297-00-00
DR: C4	CHK: APPR:
FILE: 42970000.SCH	DATE: 02/17/97 1 OF 3

6
5
4
3
2
1



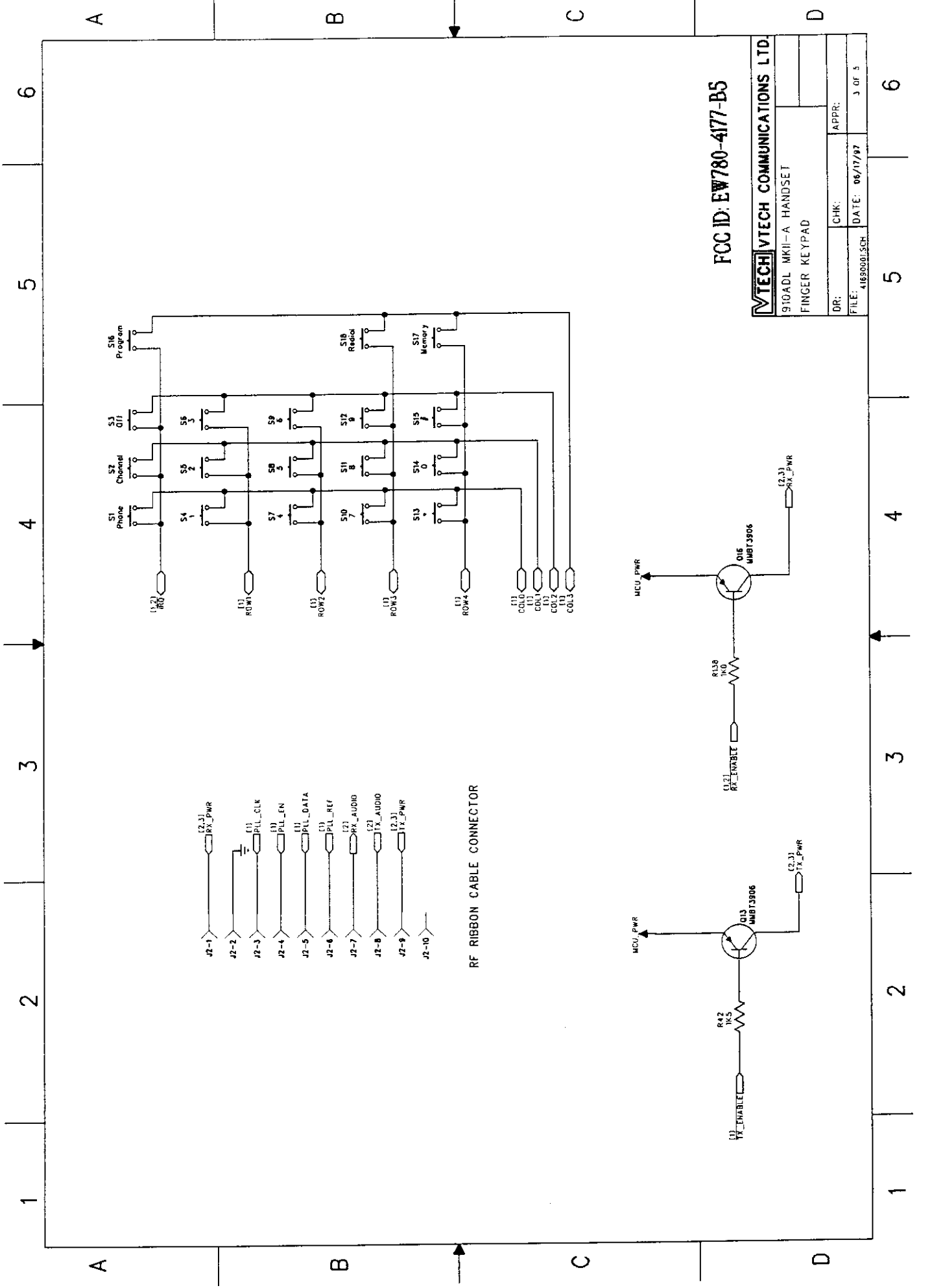
FCC ID EW780-4177-B5

TECH VITECH COMMUNICATIONS LTD.

910A0L MKII-A HANDSET

Audio Section Circuitry

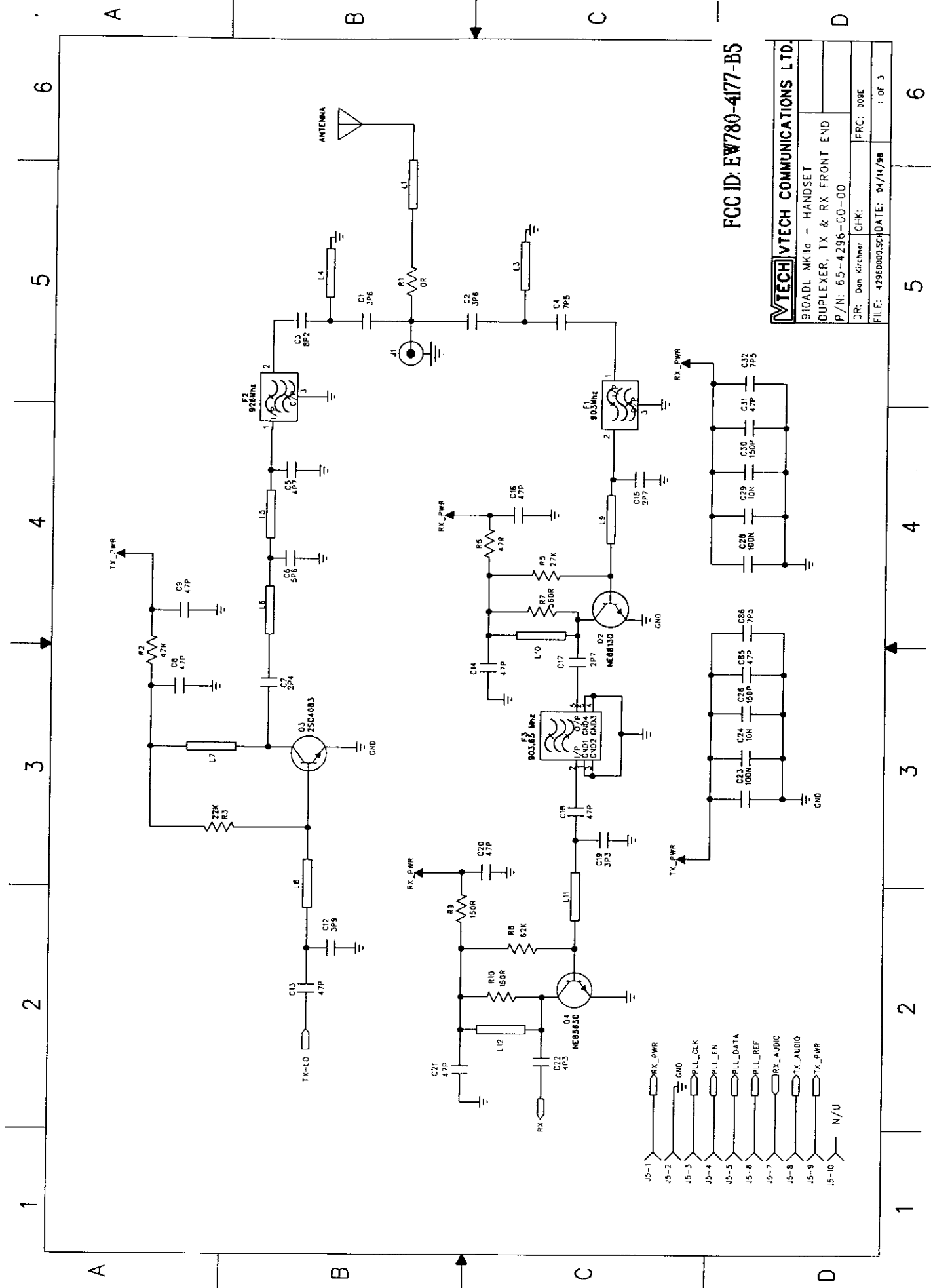
DR:	CHK:	APP:
FILE:	DATE:	2 OF 3



FCC ID: EW780-4177-B5

VTECH VTECH COMMUNICATIONS LTD.			
910ADL MKII-A HANDSET			
FINGER KEYPAD			
DR:	CHK:	DATE: 06/17/97	APPR:
FILE: 4169001SCH			3 of 5

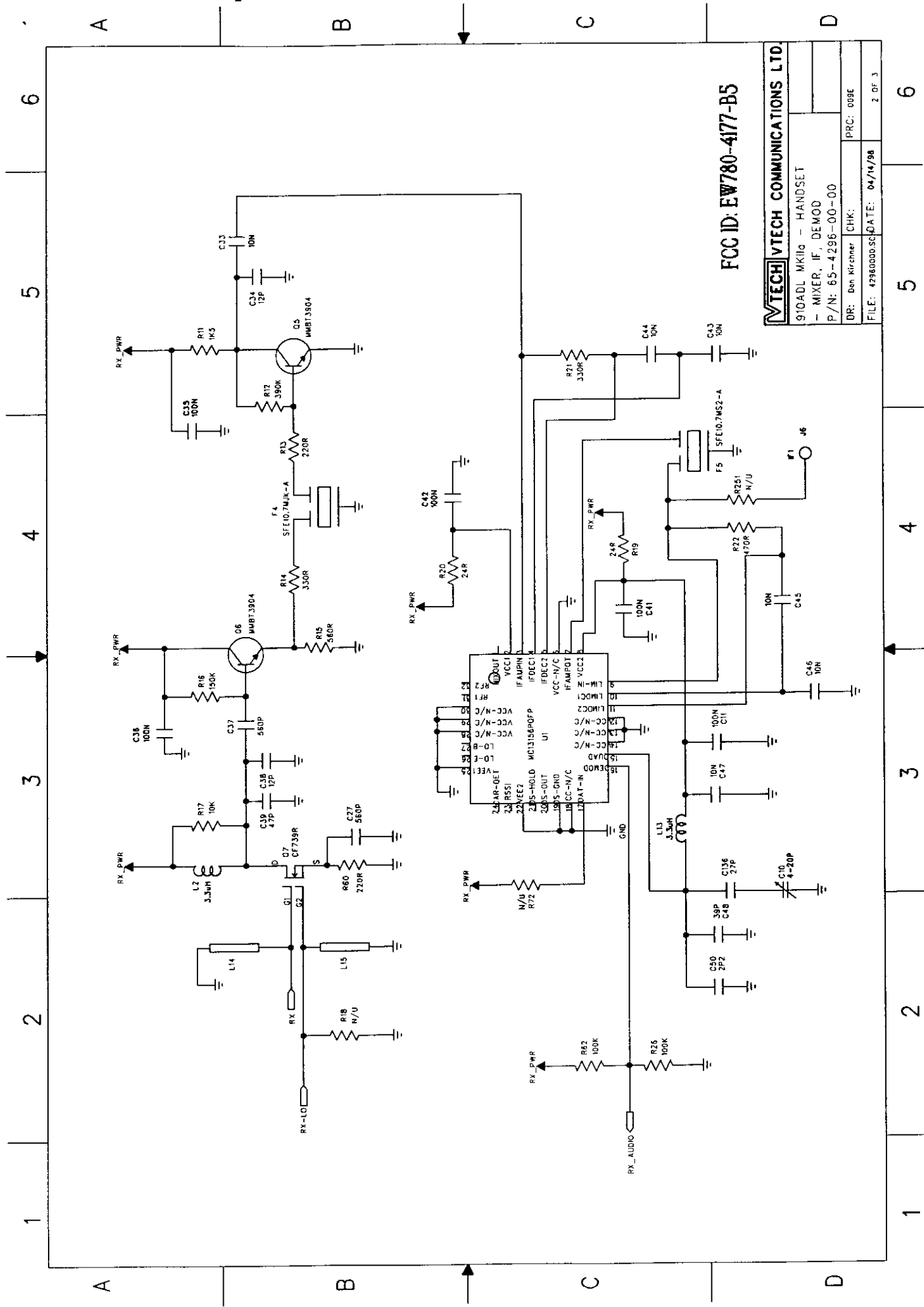
1 2 3 4 5 6



FCC ID: EW780-4177-B5

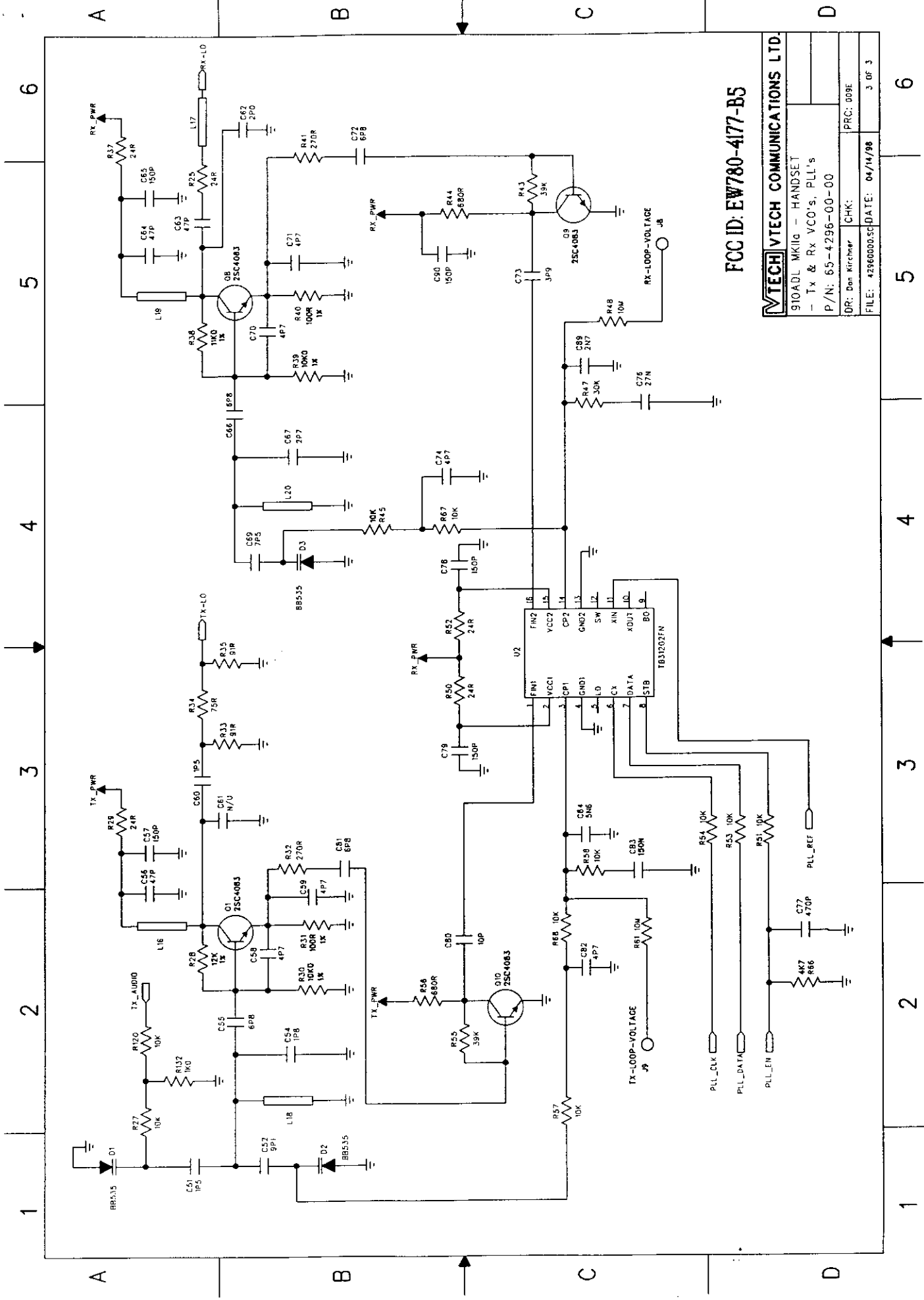
TECH VTECH COMMUNICATIONS LTD.	
910ADL MKIIIG - HANDSET	
DUPLEXER, TX & RX FRONT END	
P/N: 65-4296-00-00	
DR: Don Kirchner	CHK: PRC: 008E
FILE: 42960000.SCH	DATE: 04/14/98
1 OF 3	

1 2 3 4 5 6



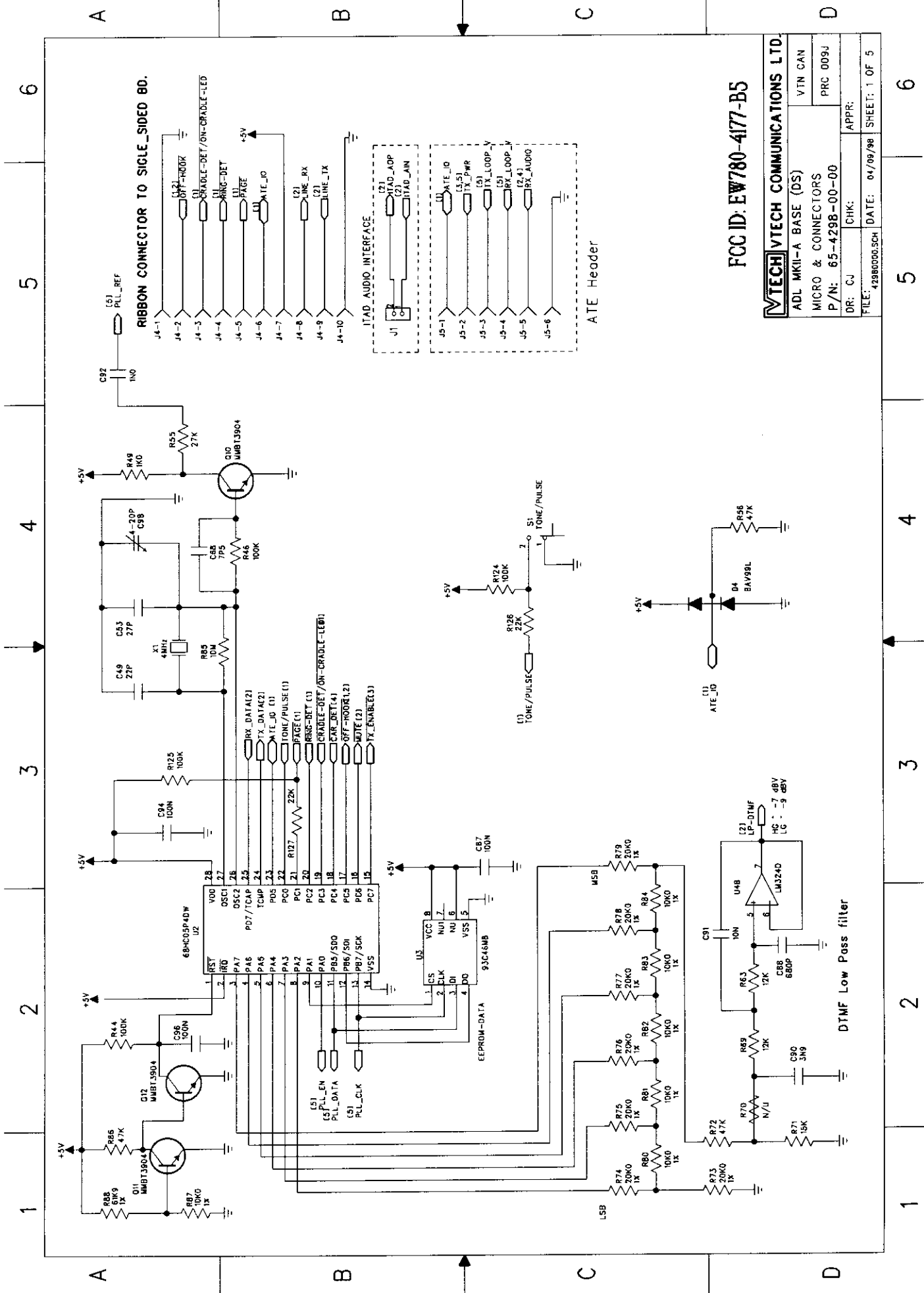
FCC ID: EW780-4177-B5

VTECH VTECH COMMUNICATIONS LTD.	
910ADL MKIIg - HANDSET	
- MIXER, IF, DEMOD	
P/N: 65-4296-00-00	
DR: Don Kirchner	CHK:
FILE: 42960000.SCH	DATE: 04/14/98
	PRC: 008E
	2 OF 3



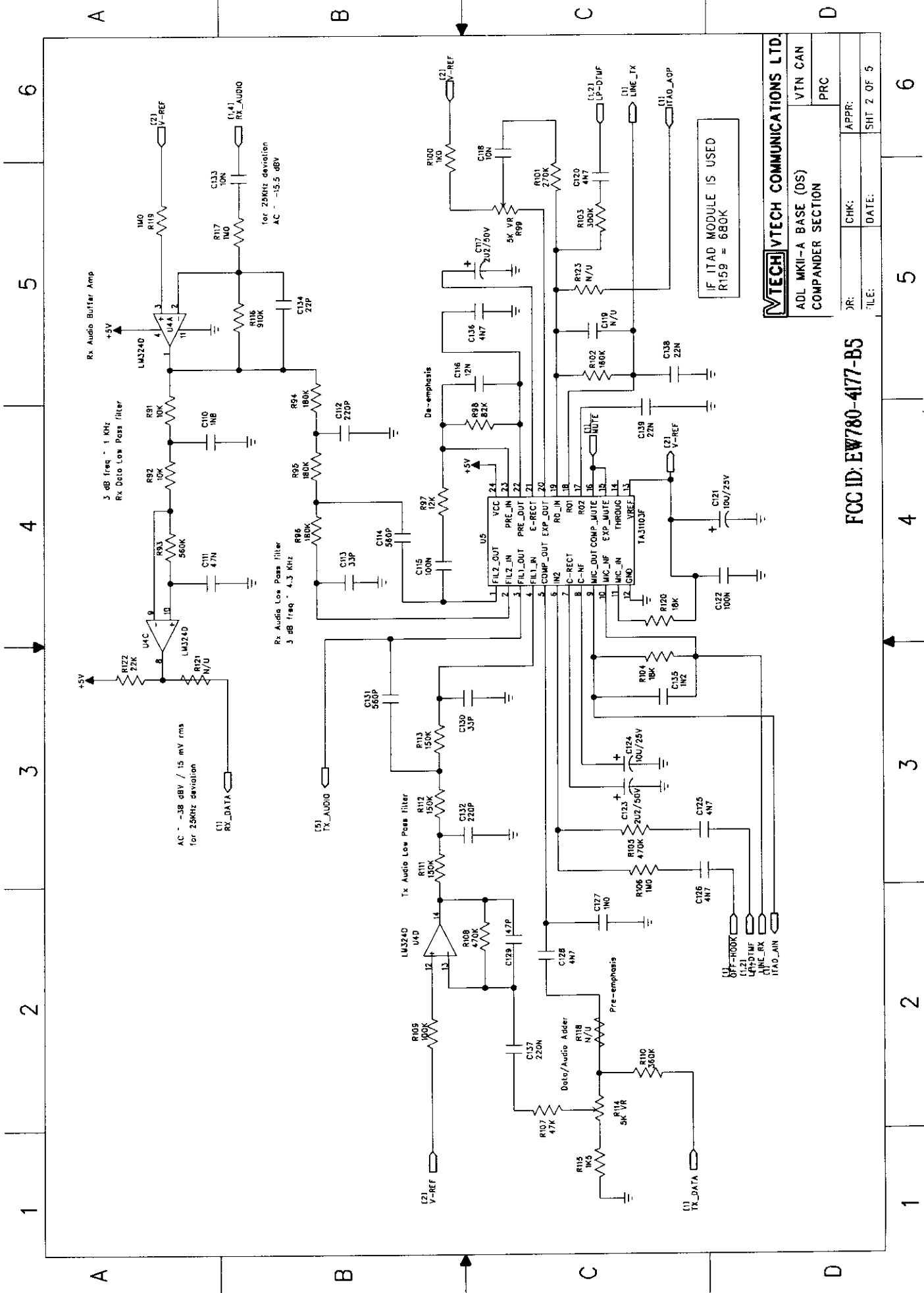
FCC ID: EW780-4177-B5

TECHNIVTECH COMMUNICATIONS LTD.	
910ADL MKIIlg - HANDSET	
- Tx & Rx VCO's, PLL's	
P/N: 65-4296-00-00	
DR: Don Kirchner	CHK:
FILE: 42960000.SCH	DATE: 04/14/98
PRC: 009E	3 OF 3



FCC ID: EW780-4177-B5

TECHNITECH COMMUNICATIONS LTD.	
ADL MKII-A BASE (DS)	VTN CAN
MICRO & CONNECTORS	PRC 009J
P/N: 65-4298-00-00	
DR: CU	CHK: APPR:
FILE: 4298000.SCH	DATE: 04/09/98
	SHEET: 1 OF 5



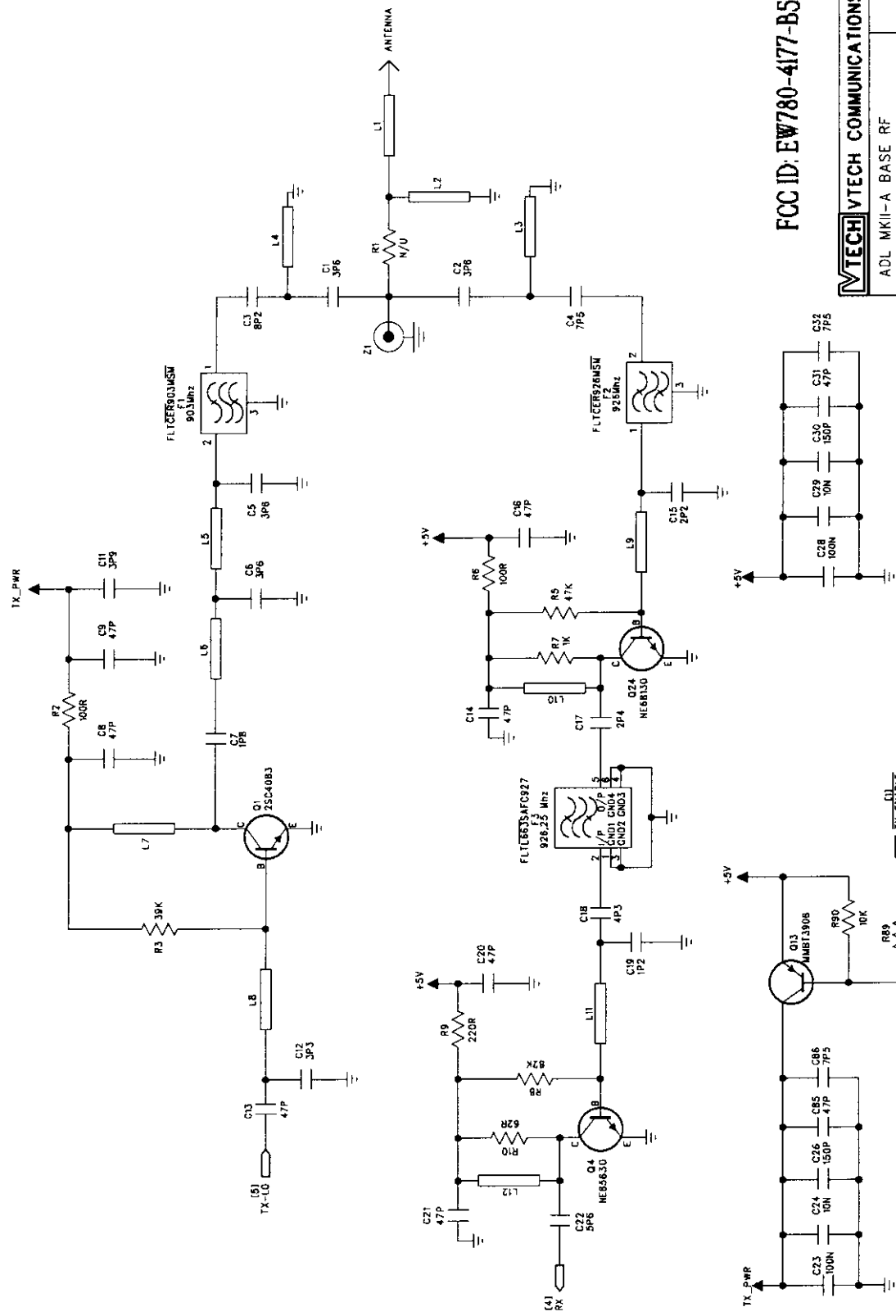
ITECH VTECH COMMUNICATIONS LTD.
 ADL MKII-A BASE (DS)
 COMPANDER SECTION

FCC ID: EW780-4177-B5

PR:	CHK:	APPR:
FILE:	DATE:	SHT 2 OF 5

A B C D

1 2 3 4 5 6



FCC ID: EW780-4177-B5

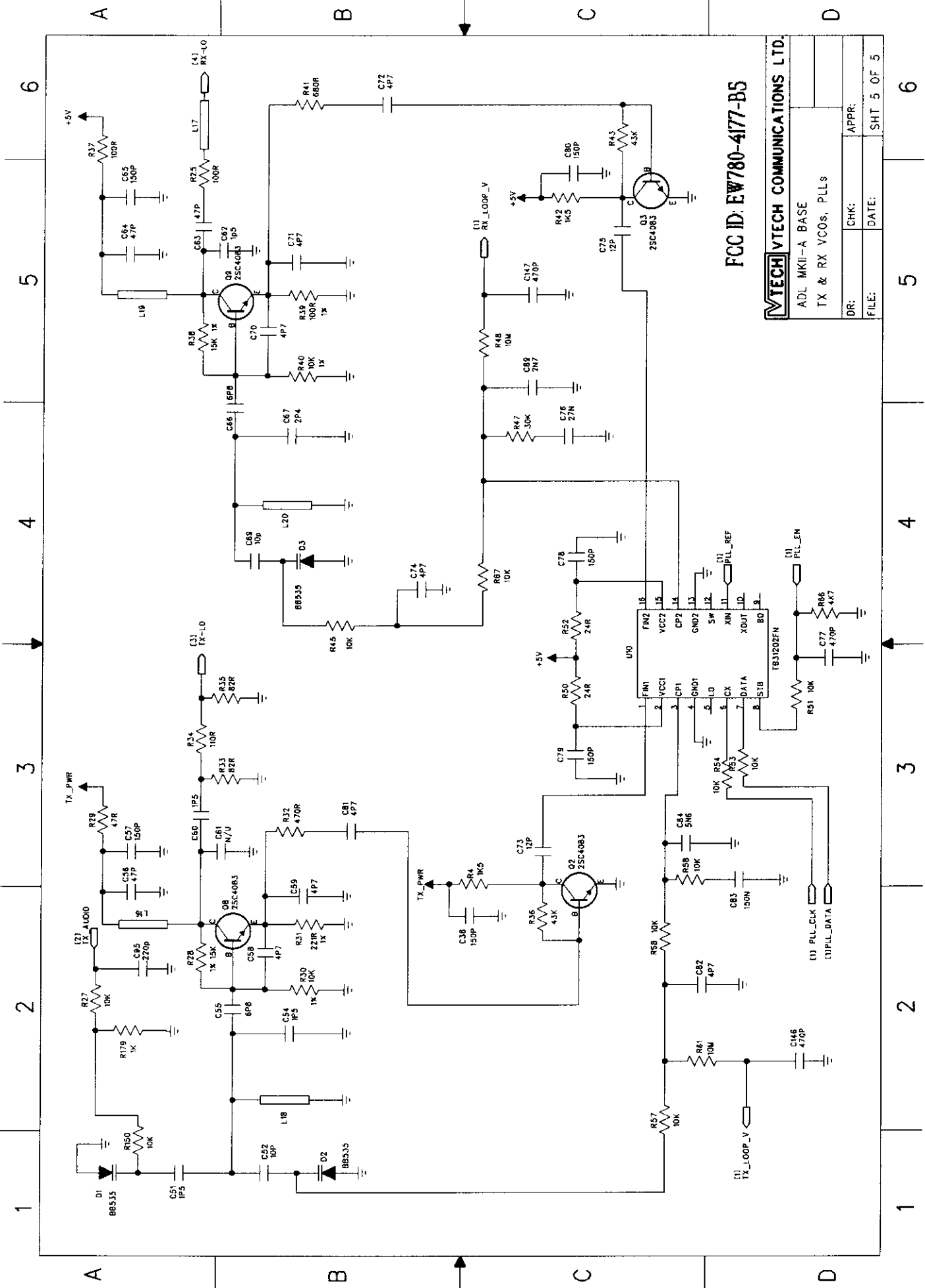
TECH VTECH COMMUNICATIONS LTD.

ADL MKII-A BASE RF
TX & RX FRONT END
DUPLEXER

DR: _____ CHK: _____ APPR: _____
FILE: _____ DATE: _____ SHT 3 OF 5

1 2 3 4 5 6

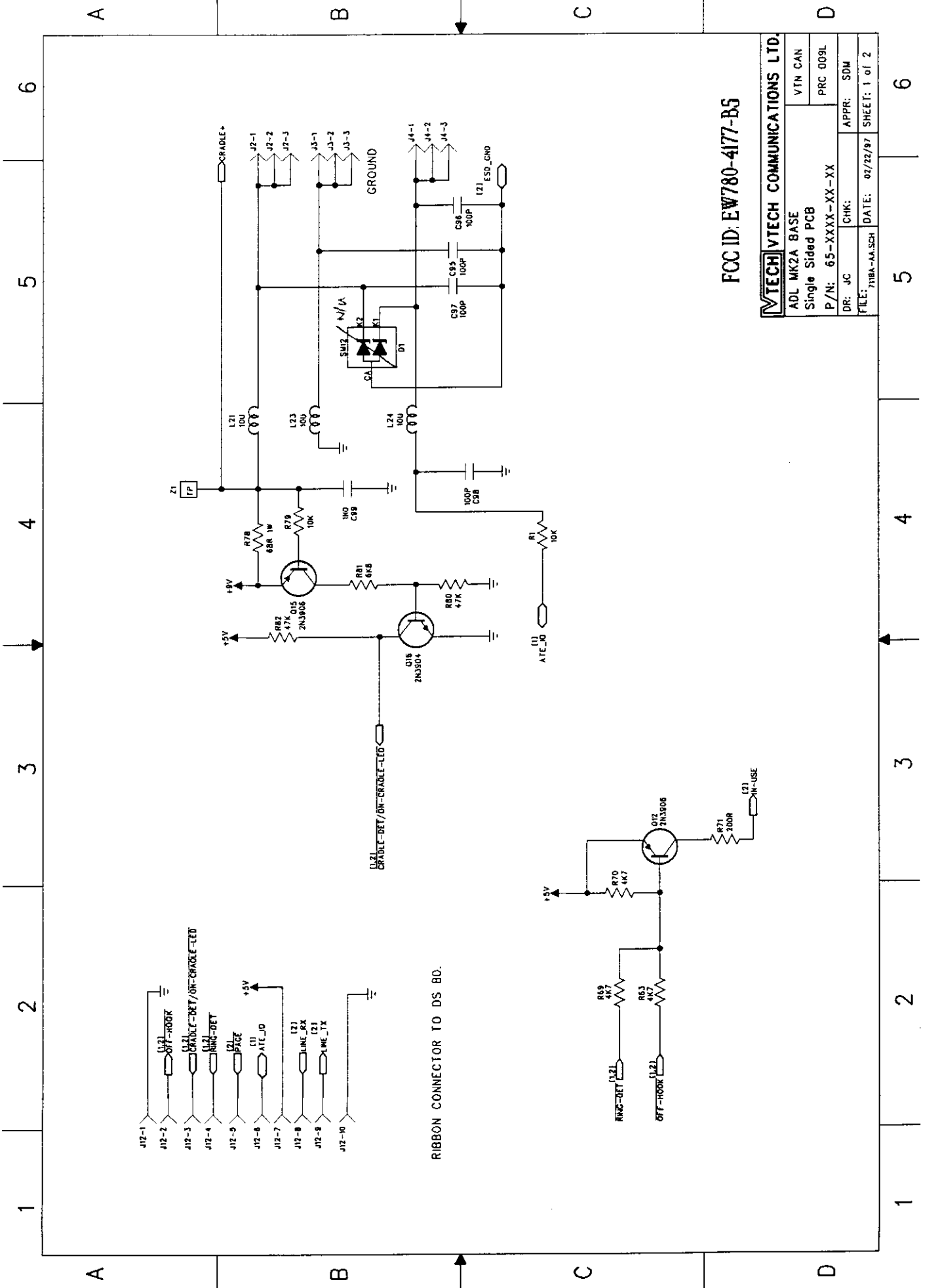
A B C D



FCC ID: EW780-4177-B5

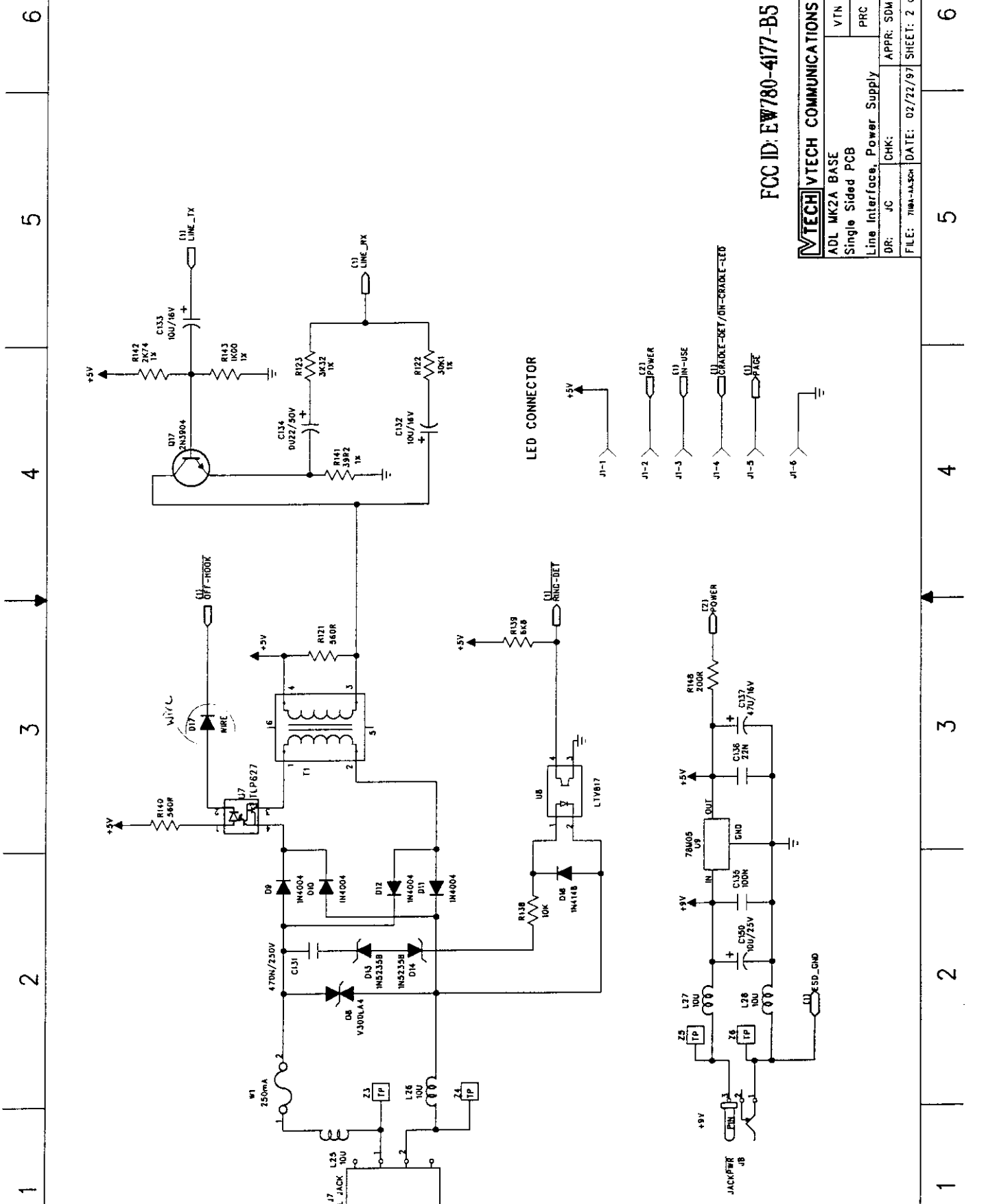
IVTECH COMMUNICATIONS LTD.
 ADL MKII-A BASE
 TX & RX VCOs, PLLs

DR:	CHK:	DATE:	APPR:
FILE:			SHT 5 OF 5



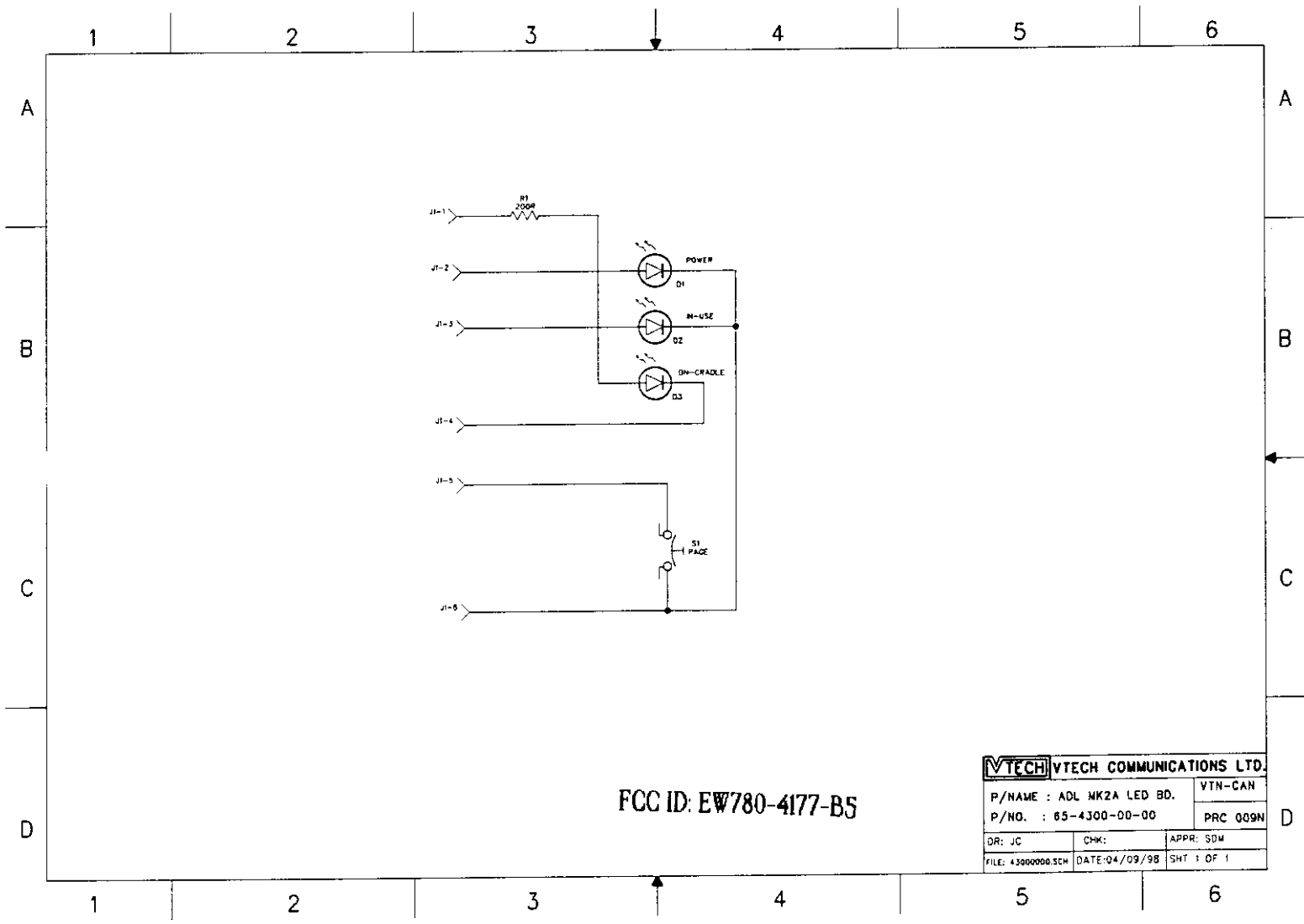
FCC ID: EW780-4177-B5

VTech COMMUNICATIONS LTD.	
ADL MK2A BASE	VTN CAN
Single Sided PCB	PRC 009L
P/N: 65-XXXX-XX-XX	CHK: APPR: SDM
DR: JC	DATE: 02/22/97
FILE: 718A-AA.SCH	SHEET: 1 of 2



FCC ID: EW780-4177-B5

VTECH VTECH COMMUNICATIONS LTD.	
ADL MK2A BASE	VTN CAN
Single Sided PCB	PRC 009L
Line Interface, Power Supply	
DR: JC	CHK: APPR: SDM
FILE: 780A-1130a	DATE: 02/22/97 SHEET: 2 of 2



FCC ID: EW780-4177-B5

VTECH VTECH COMMUNICATIONS LTD.		
P/NAME : ADL MK2A LED BD.	VTN-CAN	
P/NO. : 65-4300-00-00	PRC 009N	
DR: JC	CHK:	APPR: SDW
FILE: 43000000.SCH	DATE: 04/09/98	SHT 1 OF 1