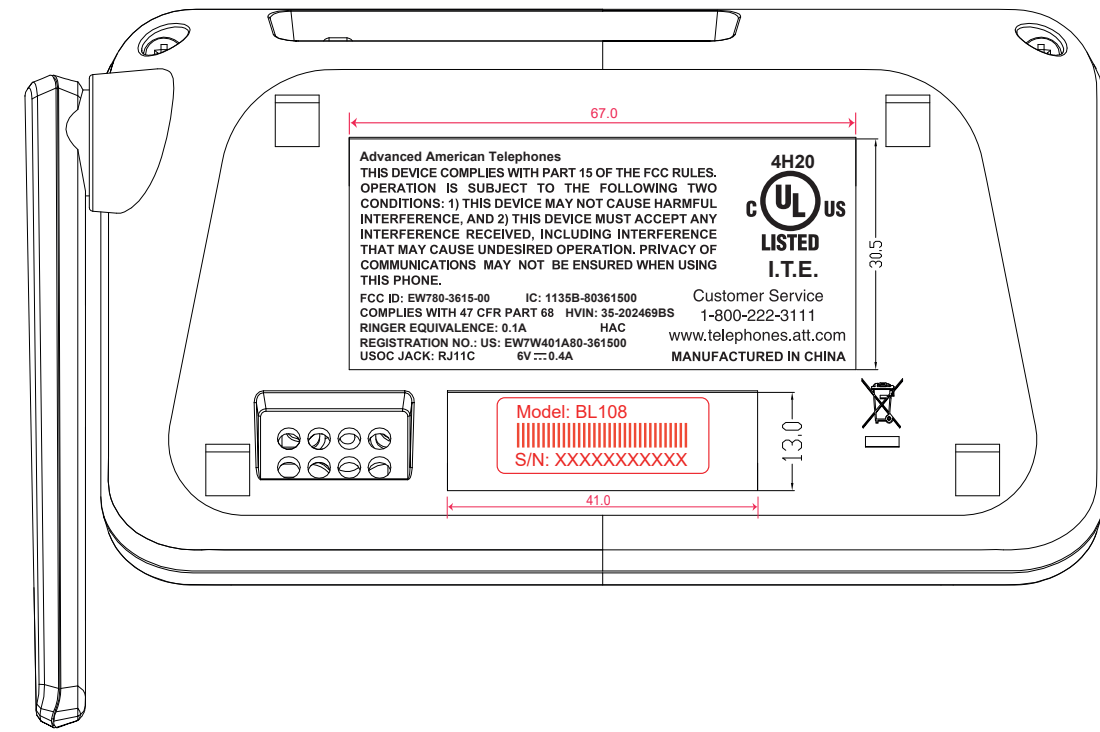
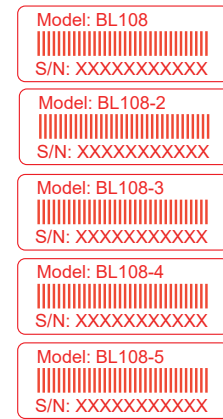


Label and label location

BASE

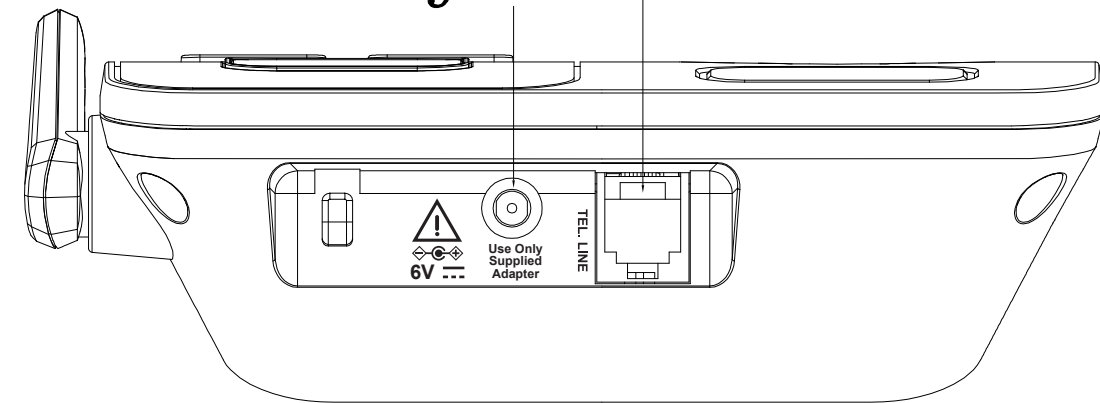


Text: engraved in recessed 0.3mm depth, text surface in high gloss



Phone Jack

DC Jack



HS

