

## Model: BL108 Handset Antenna

### Antenna description:

This wire L antenna is optimized and used in the Handset unit. This antenna is directly connected to the ANT RF output in the main PCB.

Model Number	Description
BL108 Handset ANT	1.9GHz L antenna

### Specification:

<b>Operation Frequency Range</b>	1921.536 to 1928.448 MHz
<b>Maximum Gain</b>	0 dBi
<b>Type</b>	L antenna
<b>Operation bandwidth</b>	10MHz
<b>Nominal Impedance</b>	~50 ohms
<b>Manufacturer</b>	Vtech Telecommunications Ltd
<b>Manufacturer address</b>	23/F, Tai Ping Industrial Centre, Blk1, 57 Ting Kok Road, Tai Po, Hong Kong
<b>Model number</b>	ANT-BL108-P-DE-0

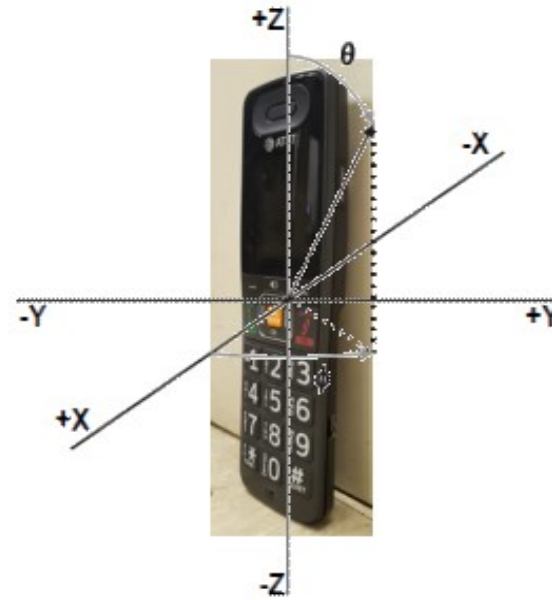
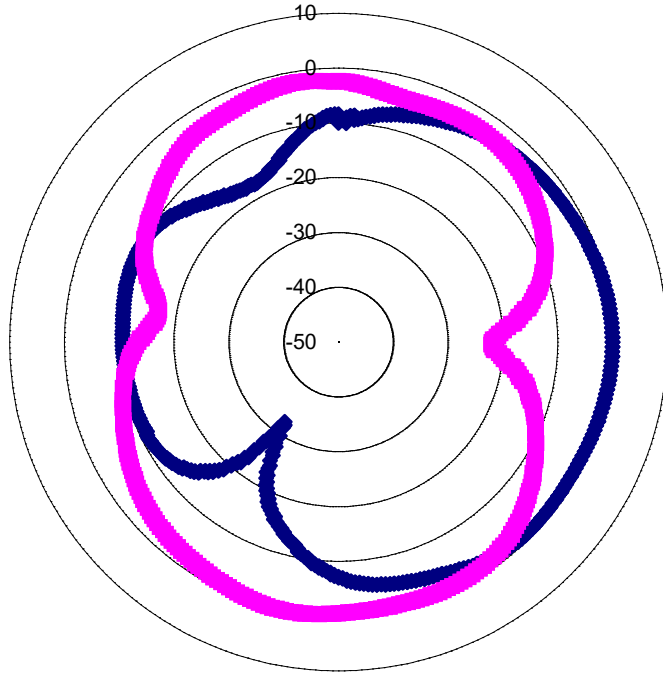
\*NOTE: Frequency and Orientation with maximum Antenna Gain.

Frequency: 1924.992 MHz

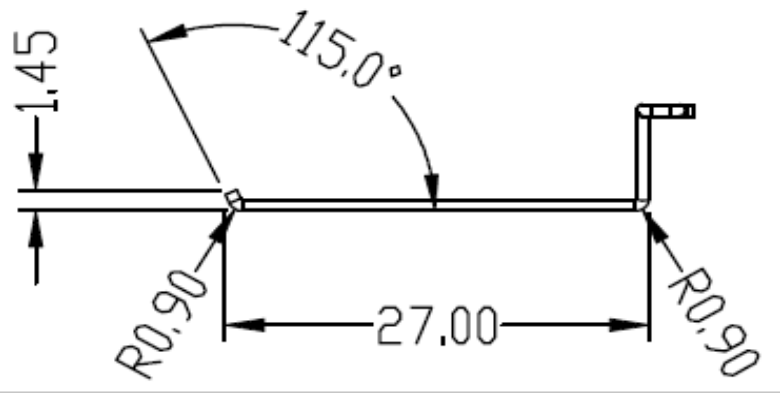
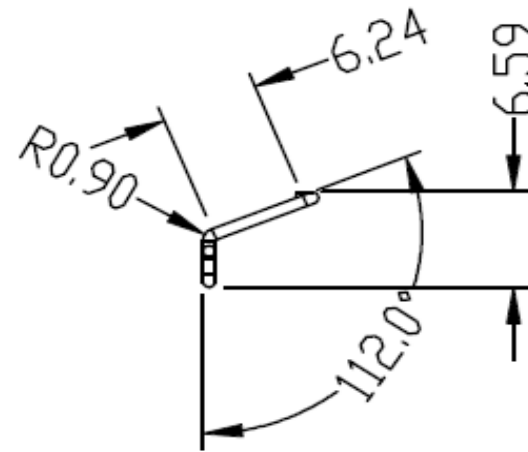
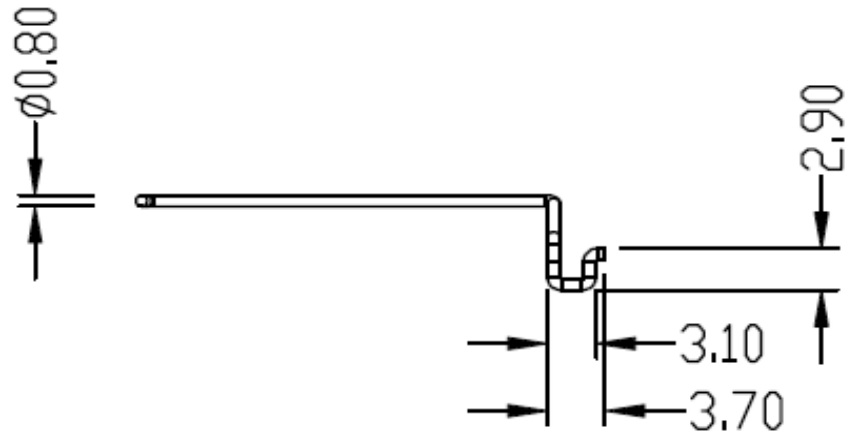
	Vertical	Horizontal
Antenna Gain (dBi)	0.00	-0.02

BL108 Handset Radiation Pattern\_XY Plane

◆ Vertical  
◆ Horizontal



BL108 Handset Antenna Dimensions in mm



## Model: BL108 Base Antenna 0

### Antenna description:

This wire Monopole antenna is optimized and used in the Base unit. This antenna is directly soldered to the ANT\_1 RF output in the main PCB.

Model Number	Description
BL108 BS ANT_0	1.9GHz Monopole

### Specification:

<b>Operation Frequency Range</b>	1921.536 to 1928.448 MHz
<b>Maximum Gain</b>	0 dBi
<b>Type</b>	Monopole
<b>Operation bandwidth</b>	10MHz
<b>Nominal Impedance</b>	~50 ohms
<b>Manufacturer</b>	Vtech Telecommunications Ltd
<b>Manufacturer address</b>	23/F, Tai Ping Industrial Centre, Blk1, 57 Ting Kok Road, Tai Po, Hong Kong
<b>Model number</b>	ANT-BL108-F-DE-1

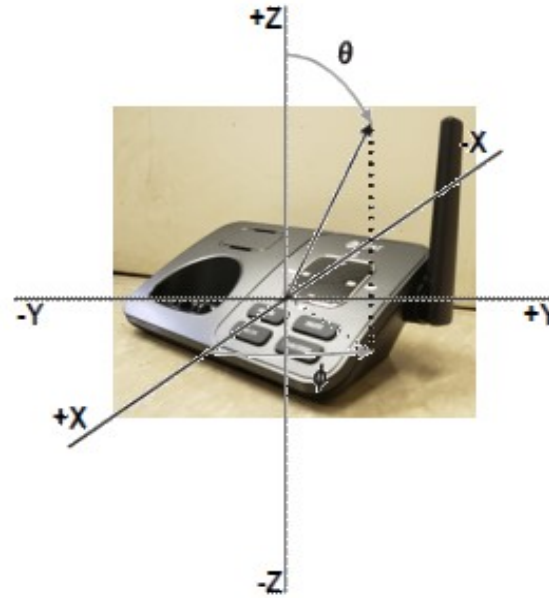
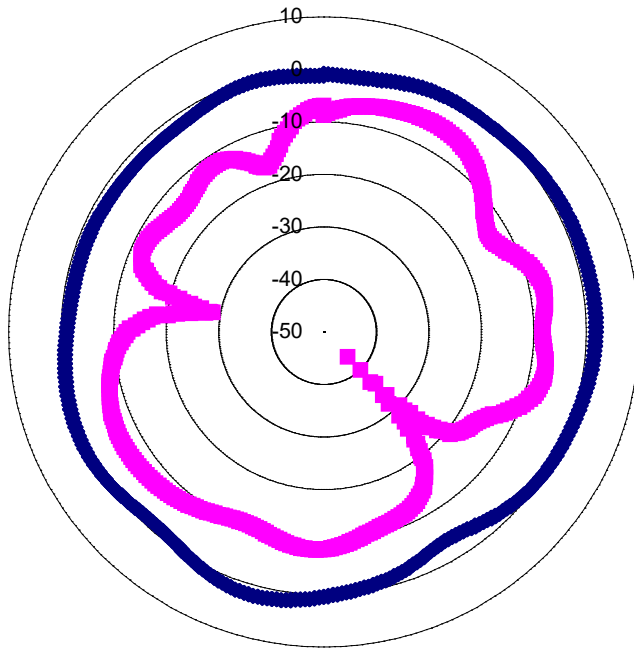
\*NOTE: Frequency and Orientation with maximum Antenna Gain.

Frequency: 1924.992 MHz

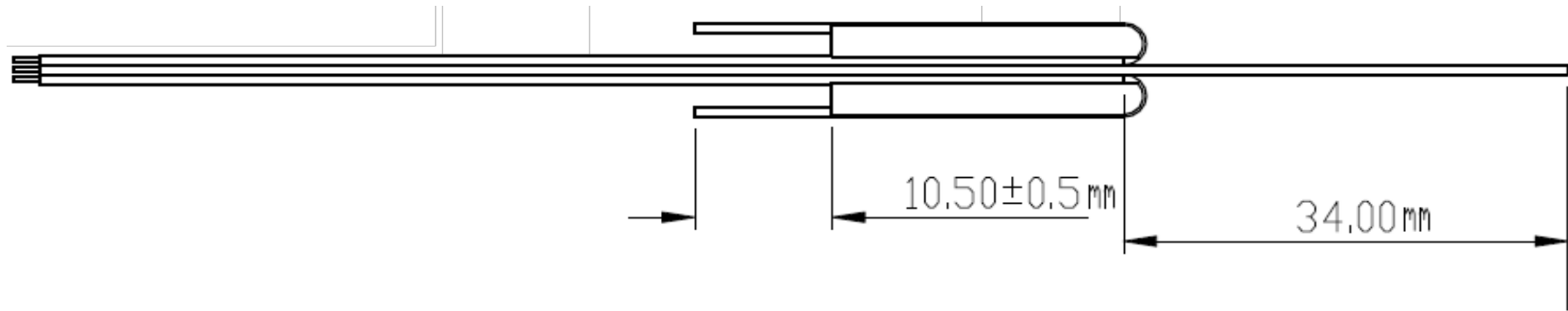
	Vertical	Horizontal
Antenna Gain (dBi)	0.00	-7.08

BL108 BS ANT0 Radiation Pattern\_XY Plane

◆ Vertical  
■ Horizontal



BL108 BS ANT0 Antenna Dimensions in mm



## Model: BL108 Base Antenna 1

### Antenna description:

This wire L antenna is optimized and used in the Base unit. This antenna is directly soldered to the ANT\_1 RF output in the main PCB.

Model Number	Description
BL108 BS ANT_1	1.9GHz Monopole

### Specification:

<b>Operation Frequency Range</b>	1921.536 to 1928.448 MHz
<b>Maximum Gain</b>	0 dBi
<b>Type</b>	L antenna
<b>Operation bandwidth</b>	10MHz
<b>Nominal Impedance</b>	~50 ohms
<b>Manufacturer</b>	Vtech Telecommunications Ltd
<b>Manufacturer address</b>	23/F, Tai Ping Industrial Centre, Blk1, 57 Ting Kok Road, Tai Po, Hong Kong
<b>Model number</b>	ANT-BL108-F-DE-1

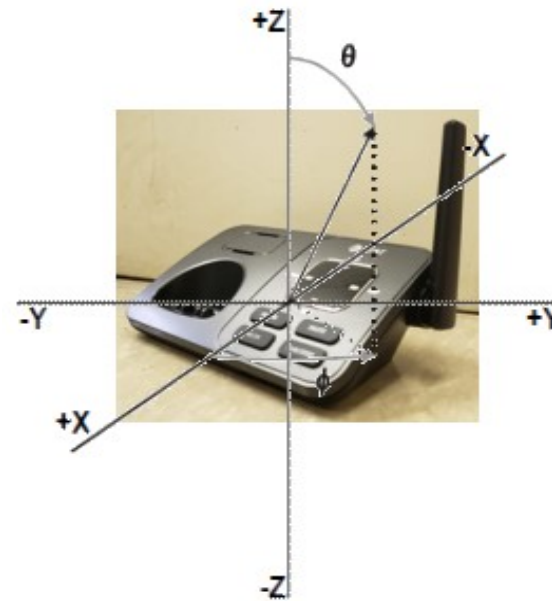
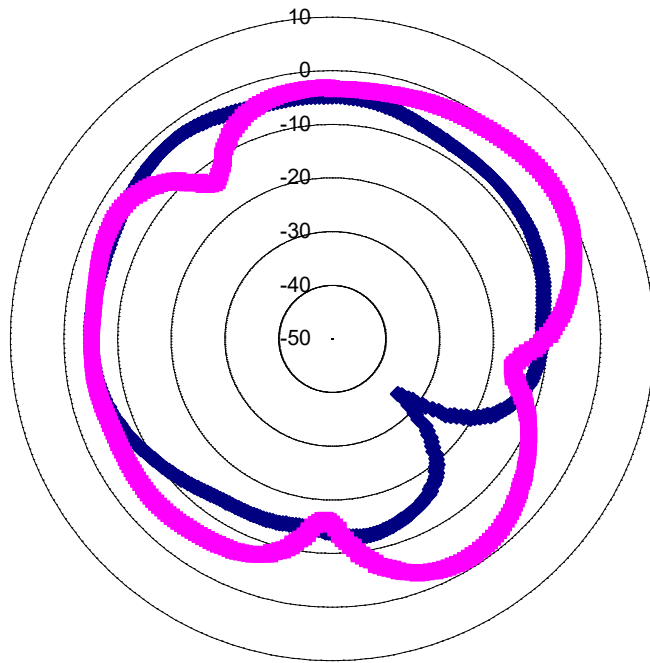
\*NOTE: Frequency and Orientation with maximum Antenna Gain.

Frequency: 1924.992 MHz

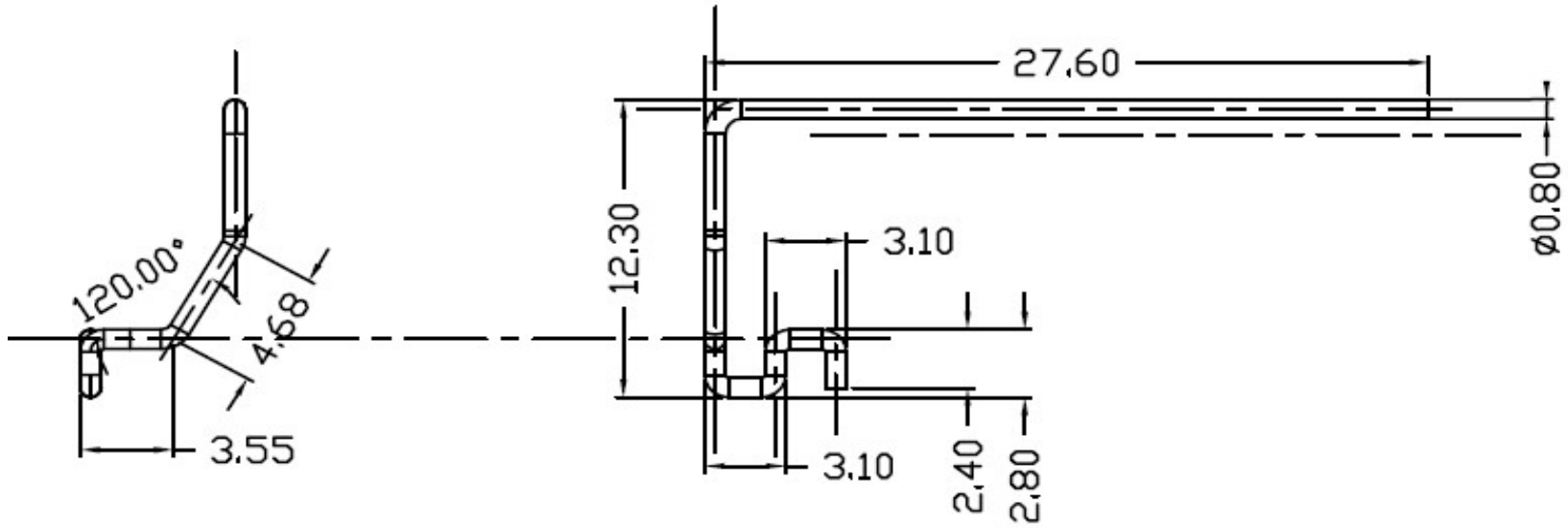
	Vertical	Horizontal
Antenna Gain (dBi)	-2.66	0.00

BL108 BS ANT1 Radiation Pattern\_XY Plane

◆ Vertical  
■ Horizontal



BL108 BS ANT1 Antenna Dimensions in mm



## Model: BL108 Base Bluetooth Antenna

### Antenna description:

This Wire Helical antenna is optimized and used in the Base unit. This antenna is directly soldered to the Bluetooth RF output in the main PCB.

Model Number	Description
BL108 BS BT ANT	2.4GHz Wire Monopole Antenna

### Specification:

<b>Operation Frequency Range</b>	2402 to 2480 MHz
<b>Maximum Gain</b>	0 dBi
<b>Type</b>	Helical Antenna
<b>Operation bandwidth</b>	90MHz
<b>Nominal Impedance</b>	~50 ohms
<b>Manufacturer</b>	Vtech Telecommunications Ltd
<b>Manufacturer address</b>	23/F, Tai Ping Industrial Centre, Blk1, 57 Ting Kok Road, Tai Po, Hong Kong
<b>Model number</b>	ANT-BL108-F-BT-0

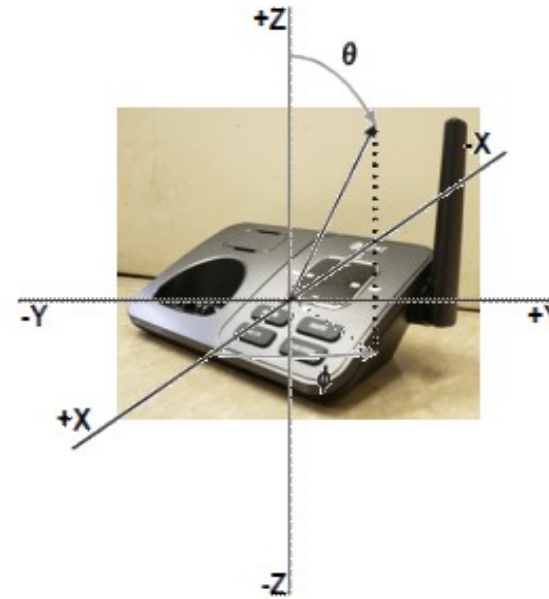
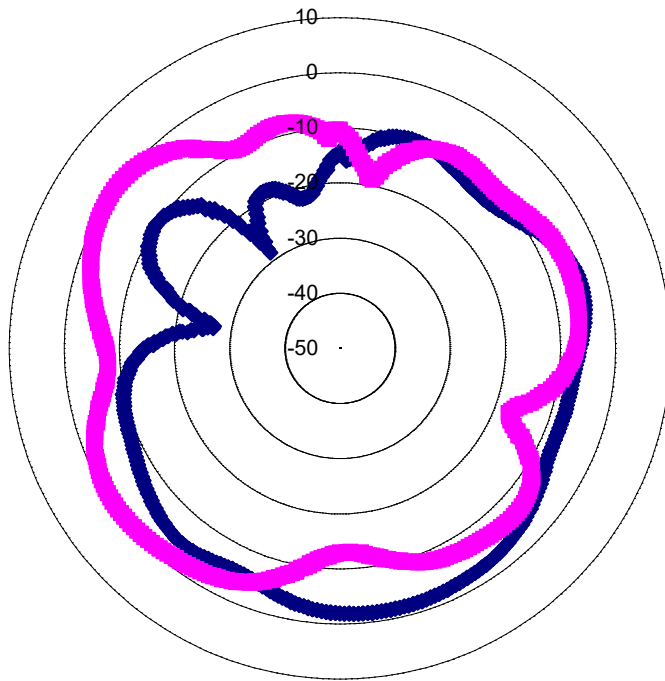
\*NOTE: Frequency and Orientation with maximum Antenna Gain.

Frequency: 2440MHz

	Vertical	Horizontal
Antenna Gain (dBi)	-1.69	0.00

EL1105-x BS BT Radiation Pattern\_XY Plane

◆ Vertical  
■ Horizontal



BL108 BS BT Antenna Dimensions in mm

