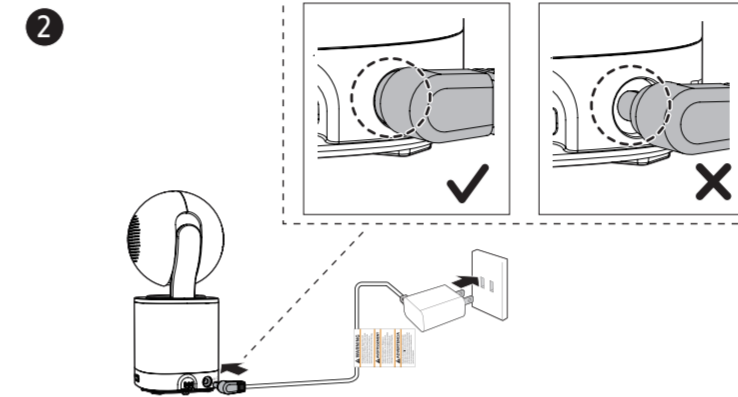
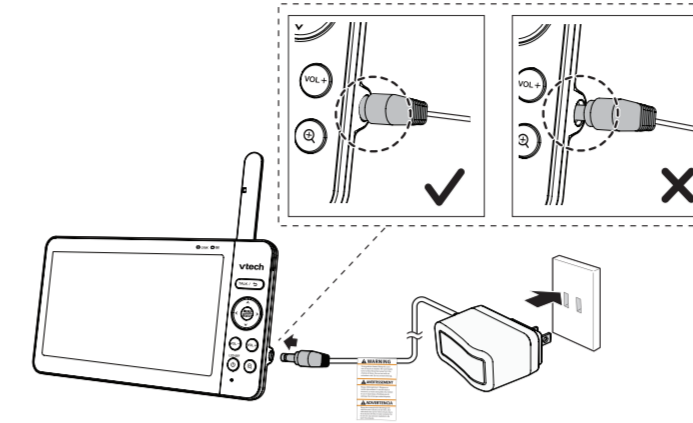


1 CONNECT THE BABY MONITOR

- Connect the parent unit and baby unit to the supplied adapters and mains supply. The parent unit will turn on automatically after connecting to the power socket.

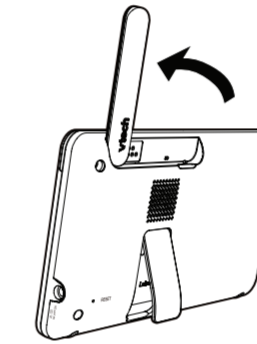


NOTES

- Peel off the lens/screen protector before use.
- The baby unit may get warm during use. This is normal.



- For optimum reception, always raise the parent unit antenna.



1 CONNECT THE BABY MONITOR (CONT'D)

NOTES

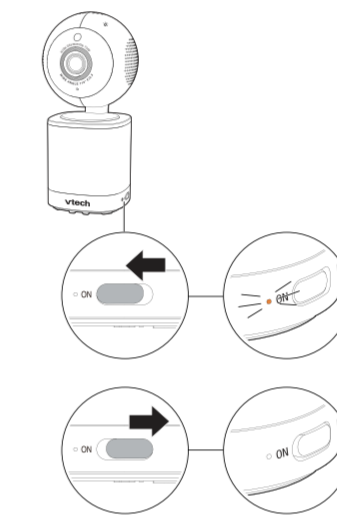
- Before using the baby monitor for the first time, charge the parent unit battery for 12 hours. When the parent unit battery is fully charged, the battery icon segments become solid.
- It takes longer to charge the battery when the parent unit is turned on. To shorten the charging time, turn the parent unit off while charging.
- The standby time varies depending on the sensitivity level you set, your actual use and the age of the battery.

The battery icon indicates the battery status (see the following table).

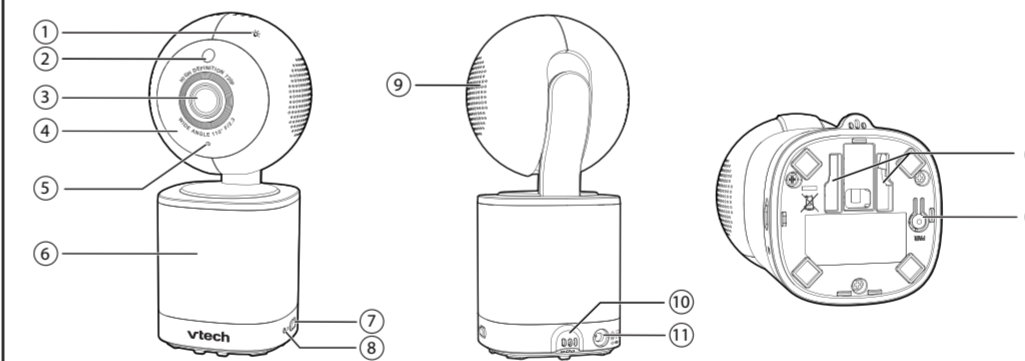
BATTERY INDICATORS	BATTERY STATUS	ACTION
The screen displays . The red light flashes.	The battery has very little charge and may be used for only a short time.	Charge without interruption (about 30 minutes).
The battery icon segments are solid .	The battery is fully charged.	To keep the battery charged, connect it to AC power when in use.

2 POWER ON OR OFF THE BABY MONITOR

- Slide the **ON/OFF** switch leftward to power on your baby unit.
- Press and hold to power on or off your parent unit.



OVERVIEW - BABY UNIT



- Night Light Control Key**
 - Single Tap: Turn on/off.
 - Tap and hold (with the light turned on): Adjust night light brightness.
- Light sensor**
- Camera lens**
- Infrared LEDs**
 - Allow you to see clearly in a dark environment.
- Microphone**
- Night light**
- ON/OFF switch**
- Power LED Light**
- Speaker**
- Temperature sensor**
- Power jack**
- Wall mount slots**
- Pair/Reset button**
 - The parent unit and baby unit provided are already paired.

Status icons

- Direct mode**
 - Parent unit and baby unit are connected to each other directly.
 - Signal strength is indicated by the signal icon(s) on the right.
 - The red bar(s) indicates no connection.
- Baby unit 1 and 2 are being viewed in **Patrol mode** (For VM7468-2HQ only).
- Baby unit 1 and 2 are being viewed in **Split mode** (For VM7468-2HQ only).
- Night vision is turned on.
- Motion detection alert is turned on.

Status icons

- Melodies and soothing sounds are playing.
- Night light is turned on.
- Auto night light brightness is activated.
- Temperature alert is turned on.
- Parent unit is muted.
- Temperature measured at baby unit.
- Battery level indicator
- Low battery indicator

PARENT UNIT ICONS

Main Menu	Sub-menu	Options	Main Menu	Sub-menu	Options
		Monitoring mode (For VM7468-2HQ only) <ul style="list-style-type: none"> View baby units in Single mode. View baby units in Patrol mode (switch view every 10 seconds). View baby units in Split screen. 			Screen Off Timer <ul style="list-style-type: none"> Turn the screen off timer OFF, or set the screen to turn off after 1, 3 or 5 minutes when no sound is detected. Select AUTO to set the Sound Sensitivity level for the screen to auto turn on when a sound level is detected that is higher than the set level. The screen will turn off after 50 seconds of no sound detection.
		On/Off <ul style="list-style-type: none"> Toggle the night light on or off. 			Color <ul style="list-style-type: none"> Select one of the 10 night light colors.
		Brightness <ul style="list-style-type: none"> Adjust the night light brightness. Set the brightness to AUTO adaptive ambience. 			Temperature Format <ul style="list-style-type: none"> Set the temperature display format between Celsius or Fahrenheit.
		Timer <ul style="list-style-type: none"> Set the timer to turn the night light off after 15, 30 or 60 minutes, or always on. 			Other <ul style="list-style-type: none"> Reset settings
		Melodies and soothing sounds <ul style="list-style-type: none"> Toggle between play and stop. 			Alerts Settings <ul style="list-style-type: none"> Adjusts the alert tone volume level.
		Library <ul style="list-style-type: none"> Select to play all melodies, or play one of the five melodies or five soothing sounds. 			Motion Detect <ul style="list-style-type: none"> Turn the motion detection alert on/off. Adjust Motion Sensitivity level for waking the parent unit screen.
		Camera Volume <ul style="list-style-type: none"> Adjusts baby unit speaker volume. 			Temperature <ul style="list-style-type: none"> Turn the temperature alert on/off. Select the temperature alert maximum and minimum temperature limits.
		Timer <ul style="list-style-type: none"> Set the timer to stop playing after 15, 30 or 60 minutes, or play non-stop. 			Low Battery <ul style="list-style-type: none"> Toggle the low battery alert on or off.
		General settings <ul style="list-style-type: none"> Camera Volume <ul style="list-style-type: none"> Adjusts baby unit speaker volume. Screen Brightness <ul style="list-style-type: none"> Adjusts parent unit screen brightness. 			Help and info <ul style="list-style-type: none"> Help <ul style="list-style-type: none"> Support Information System Info <ul style="list-style-type: none"> System Information