

[VTECH]

[2.4GHz Dipole Antenna]

Model: VM7468 BU

Antenna description:

This antenna is optimized and used in the Baby Unit in the baby monitor models. This antenna is directly soldered to the RF output in the main PCB.

Ordering information:

Model	Description
VM7468 BU	2.4GHz Monopole antenna

Specification:

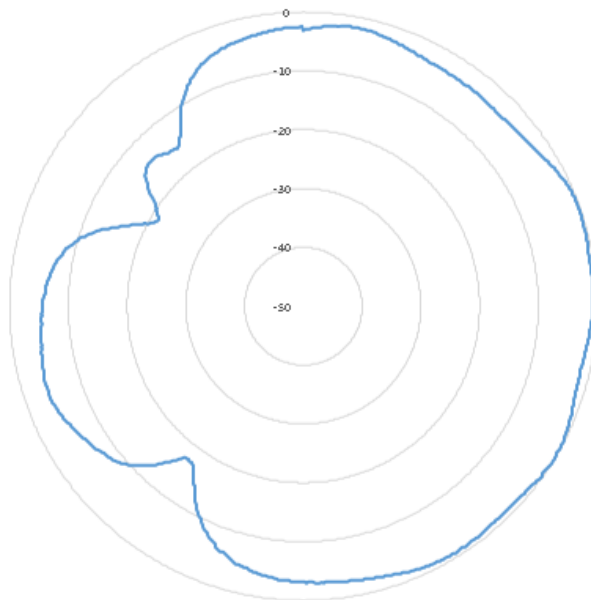
Operation Frequency Range	2405-2475 MHz
Maximum Gain	0 dBi
Type	Monopole antenna
Operation bandwidth	70MHz
Nominal Impedance	~50 ohms
Connectors	-
Dimensions	Shown in figure1
Manufacturer	Vtech Telecommunications Ltd
Manufacturer address	23/F, Tai Ping Industrial Centre, Blk1, 57 Ting Kok Road, Tai Po, Hong Kong
Model number	ANT-VM7468-F-FH-1

[VTECH]

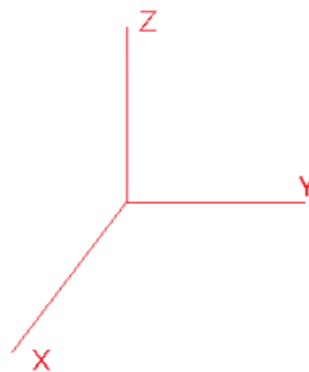
[2.4GHz Dipole Antenna]

Antenna pattern (2437MHz) (the frequency with maximum gain)

- XY plane (gain theta)



Coordination:



[VTECH]

[2.4GHz Dipole Antenna]

Physical Dimension:

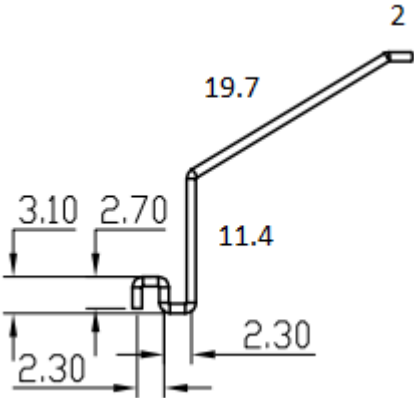


Figure 1 Physical dimension (mm)