

## TEST REPORT

**Report No.: 24051562HKG-001**

Application For Original Grant of 47 CFR Part 15 Certification

New Family of RSS-247 Issue 3 Equipment Certification

Video Baby Monitor

**FCC ID: EW780-3467-00**

**IC: 1135B-80346700**

**Prepared and Checked by:**

**Approved by:**

Signed on File

Leung Chun Ning, Peter  
Assistant Engineer

---

Wong Cheuk Ho, Herbert  
Assistant Manager

Date: September 25, 2024

---

Intertek's standard Terms and Conditions can be obtained at our website <http://www.intertek.com/terms/>.

The test report only allows to be revised within the retention period unless further standard or the requirement was noticed.

This report is for the exclusive use of Intertek's Client and is provided pursuant to the agreement between Intertek and its Client. Intertek's responsibility and liability are limited to the terms and conditions of the agreement. Intertek assumes no liability to any party, other than to the Client in accordance with the agreement, for any loss, expense or damage occasioned by the use of this report. Only the Client is authorized to permit copying or distribution of this report and then only in its entirety. Any use of the Intertek name or one of its marks for the sale or advertisement of the tested material, product or service must first be approved in writing by Intertek. The observations and test results in this report are relevant only to the sample tested. This report by itself does not imply that the material, product, or service is or has ever been under an Intertek certification program.

© 2017 Intertek

**TEST REPORT****GENERAL INFORMATION**

<b>Grantee:</b>	VTech Telecommunications Ltd.
<b>Grantee Address:</b>	23/F., Tai Ping Industrial Centre, Block 1, 57 Ting Kok Road, Tai Po, Hong Kong.
<b>Manufacturer Name:</b>	VTech (Dongguan) Telecommunications Limited
<b>Manufacturer Address:</b>	VTech Science Park, Xia Ling Bei Management Zone, Liaobu, Dongguan, Guangdong, China.
<b>FCC Specification Standard:</b>	FCC Part 15, October 1, 2023 Edition
<b>FCC ID:</b>	EW780-3467-00
<b>FCC Model(s):</b>	VM929HQ BU, VM929-2HQ BU, 928 Plus BU, 928 Plus Twin BU, Advanced HQ Max BU, Advanced HQ Max Twin BU
<b>IC Specification Standard:</b>	RSS-247 Issue 3, August 2023 RSS-Gen Issue 5 Amendment 2, February 2021
<b>IC:</b>	1135B-80346700
<b>HVIN:</b>	35-400565BU
<b>PMN:</b>	VM929HQ BU, VM929-2HQ BU, 928 Plus BU, 928 Plus Twin BU, Advanced HQ Max BU, Advanced HQ Max Twin BU
<b>Type of EUT:</b>	Spread Spectrum Transmitter
<b>Description of EUT:</b>	Video Baby Monitor
<b>Sample Receipt Date:</b>	May 31, 2024
<b>Date of Test:</b>	May 31, 2024 to June 26, 2024
<b>Report Date:</b>	September 25, 2024
<b>Environmental Conditions:</b>	Temperature: +10 to 40°C Humidity: 10 to 90%
<b>Conclusion:</b>	Test was conducted by client submitted sample. The submitted sample as received complied with the 47 CFR Part 15 / RSS-247 Issue 3 Certification.

**TEST REPORT**

**TABLE OF CONTENTS**

**EXHIBIT 1 TEST RESULTS SUMMARY & STATEMENT OF COMPLIANCE..... 4**

    1.1 Summary of Test Results .....4

    1.2 Statement of Compliance.....4

**EXHIBIT 2 GENERAL DESCRIPTION ..... 5**

    2.1 Product Description .....5

    2.2 Test Methodology .....5

    2.3 Test Facility .....6

    2.4 Related Submittal Grants .....6

**EXHIBIT 3 SYSTEM TEST CONFIGURATION ..... 7**

    3.1 Justification .....7

    3.2 EUT Exercising Software.....8

    3.3 Details of EUT and Description of Accessories .....9

    3.4 Measurement Uncertainty.....9

**EXHIBIT 4 TEST RESULTS..... 10**

    4.1 Maximum Conducted (Peak) Output Power at Antenna Terminals .....10

    4.2 Maximum 20dB RF Bandwidth .....11

    4.3 Minimum Number of Hopping Frequencies.....11

    4.4 Minimum Hopping Channel Carrier Frequency Separation.....13

    4.5 Average Channel Occupancy Time .....15

    4.6 Out of Band Conducted Emissions .....16

    4.7 Field Strength Calculation .....18

    4.8 Transmitter Radiated Emission in Restricted Bands and Spurious Emission .....19

    4.9 AC Power Line Conducted Emission .....25

**EXHIBIT 5 EQUIPMENT LIST..... 27**

## TEST REPORT

### EXHIBIT 1 TEST RESULTS SUMMARY & STATEMENT OF COMPLIANCE

#### 1.1 Summary of Test Results

Test Items	FCC Part 15 Section	RSS-210/ RSS-Gen <sup>#</sup>	Results	Details See Section
Antenna Requirement	15.203	8.3 <sup>#</sup>	Pass	2.1
Max. Conducted Output Power	15.247(b)(1) & (4)	5.4(2)	Pass	4.1
Max. 20dB RF Bandwidth	N/A	5.1(1)	N/A	4.2
Min. No. of Hopping Frequencies	15.247(a)(1)(iii)	5.1(4)	Pass	4.3
Min. Hopping Channel Carrier Frequency Separation	15.247(a)(1)	5.1(2)	Pass	4.4
Average Time of Occupancy	15.247(a)(1)(iii)	5.1(4)	Pass	4.5
Out of Band Antenna Conducted Emission	15.247(d)	5.5	Pass	4.6
Radiated Emission in Restricted Bands and Spurious Emissions	15.247(d)	8.10 <sup>#</sup>	Pass	4.8
AC Power Line Conducted Emission	15.207 & 15.107	8.8 <sup>#</sup>	Pass	4.9

Note: Pursuant to FCC Part 15 Section 15.215(c), the 20dB bandwidth of the emission was contained within the frequency band designated (mentioned as above) which the EUT operated. The effects, if any, from frequency sweeping, frequency hopping, other modulation techniques and frequency stability over expected variations in temperature and supply voltage were considered.

#### 1.2 Statement of Compliance

The equipment under test is found to be complying with the following standards:

FCC Part 15, October 1, 2023 Edition  
RSS-247 Issue 3, August 2023  
RSS-Gen Issue 5 Amendment 2, February 2021

## TEST REPORT

### EXHIBIT 2 GENERAL DESCRIPTION

#### 2.1 Product Description

The VM929HQ BU (35-400565BU) is a Video Monitor - Baby Unit.

The Equipment Under Test (EUT) operates at frequency range of 2405MHz to 2475MHz. There are totally 32 non-overlapping channels with 16 active channels out of the 32 channels. The channels are shown in below table.

2405	2407	2409	2411	2413
2415	2418	2420	2422	2424
2426	2428	2430	2433	2435
2437	2439	2441	2444	2446
2450	2452	2454	2456	2458.5
2460.5	2462.5	2467	2469	2471
2473	2475			

The EUT is powered by AC/DC Adaptor.

(Model: VT05EUS05100; Input: 100-240VAC 50/60Hz; Output: 5.0VDC 1.0A)

The antenna(s) used in the EUT is integral, and the test sample is a prototype.  
Maximum Antenna Gain: 1dBi

For FCC, the Model(s): VM929-2HQ BU, 928 Plus BU, 928 Plus Twin BU, Advanced HQ Max BU, Advanced HQ Max Twin BU are the same as the Model: VM929HQ BU in electronics/electrical designs including software & firmware, PCB layout and construction design/physical design/enclosure as declared by client. The only difference between these models is model number to be sold for marketing purpose as declared by client.

The circuit description and frequency hopping algorithm are attached in the Appendix and saved with filename: descri.pdf.

#### 2.2 Test Methodology

Both AC power line-conducted and radiated emission measurements were performed according to the procedures in ANSI C63.10 (2013). Preliminary radiated scans and all radiated measurements were performed in radiated emission test sites. All Radiated tests were performed at an antenna to EUT distance of 3 meters, unless stated otherwise in the "**Justification Section**" of this Application. Antenna port conducted measurements were performed according to ANSI C63.10 (2013) and KDB Publication No. 558074 D01 v05r02 (April 02, 2019). All other measurements were made in accordance with the procedures in 47 CFR Part 2 and RSS-Gen Issue 5 Amendment 2, February 2021.

## TEST REPORT

### 2.3 Test Facility

The radiated emission test site, AC power line conducted measurement facility and antenna port conducted measurement facility used to collect the radiated data, AC Power Line conducted data, and conductive data are at Intertek Testing Services Hong Kong Ltd., which is located at Workshop No. 3, G/F., World-Wide Industrial Centre, 43-47 Shan Mei Street, Fo Tan, Sha Tin, N.T., Hong Kong SAR, China. This test facility and site measurement data have been fully placed on file with FCC and Industry Canada No.: 2042H, CABID is "HKAP01".

### 2.4 Related Submittal Grants

This is a single application for certification of a transceiver (FHSS Portion).

## TEST REPORT

### EXHIBIT 3 SYSTEM TEST CONFIGURATION

#### 3.1 Justification

For radiated emissions testing, the equipment under test (EUT) was setup to transmit / receive continuously to simplify the measurement methodology. Care was taken to ensure proper power supply voltages during testing. During testing, all cables (if any) were manipulated to produce worst case emissions.

The EUT is powered by AC/DC Adaptor.  
(Model: VT05EUS05100; Input: 100-240VAC 50/60Hz; Output: 5.0VDC 1.0A)

For the measurements, the EUT was attached to a plastic stand if necessary and placed on the wooden turntable at 0.8m height from the ground plane for emission testing at or below 1GHz and 1.5m for emission measurements above 1GHz. If the baby unit attached to peripherals, they were connected and operational (as typical as possible). The parent unit was remotely located as far from the antenna and the baby as possible to ensure full power transmission from the parent unit. Else, the base was wired to transmit full power with modulation.

The signal was maximized through rotation and placement in the three orthogonal axes. The antenna height and polarization were varied during the search for maximum signal level. The antenna height was varied from 1 to 4 meters. Radiated emissions were taken at three meters unless the signal level was too low for measurement at that distance. If necessary, a pre-amplifier was used and/or the test was conducted at a closer distance.

For any intentional radiator powered by AC power line, measurements of the radiated signal level of the fundamental frequency component of the emission was performed with the supply voltage varied between 85% and 115% of the nominal rated supply voltage.

For transmitter radiated measurement, the spectrum analyzer resolution bandwidth was 100 kHz for frequencies below 1000 MHz. The resolution bandwidth was 3 MHz for frequencies above 1000 MHz.

Radiated emission measurement for transmitter were performed from the lowest radio frequency signal generated in the device which is greater than 9 kHz to the tenth harmonic of the highest fundamental frequency or to 40 GHz, whichever is lower. Receiver was performed from 30MHz to the fifth harmonic of the highest frequency or 40GHz, whichever is lower.

Emission that are directly caused by digital circuits in the transmit path and transmitter portion were measured, and the limit are according to FCC Part 15 Section 15.209. Digital circuitries used to control additional functions other than the operation of the transmitter are subject to FCC Part 15 Section 15.109 Limits.

## TEST REPORT

### 3.1 Justification (Cont'd)

Detector function for radiated emissions was in peak mode. Average readings, when required, were taken by measuring the duty cycle of the equipment under test and subtracting the corresponding amount in dB from the measured peak readings. A detailed description for the calculation of the average factor can be found in section 4.3.4.

Determination of pulse desensitization was made according to *Hewlett Packard Application Note 150-2, Spectrum Analysis... Pulsed RF*. The effective period (Teff) was referred to Exhibit 4.3.4. With the resolution bandwidth 1MHz and spectrum analyzer IF bandwidth 3dB, the pulse desensitization factor was 0dB.

For AC line conducted emission test, the EUT along with its peripherals were placed on a 1.0m(W)x1.5m(L) and 0.8m in height wooden table and the EUT was adjusted to maintain a 0.4 meter space from a vertical reference plane. The EUT was connected to power mains through a line impedance stabilization network (LISN), which provided 50ohm coupling impedance for measuring instrument. The LISN housing, measuring instrument case, reference ground plane, and vertical ground plane were bounded together. The excess power cable between the EUT and the LISN was bundled.

All connecting cables of EUT and peripherals were manipulated to find the maximum emission.

All relevant operation modes have been tested, and the worst-case data is included in this report.

### 3.2 EUT Exercising Software

The EUT exercise program (ComTestSerial v3.0.0.108) used during radiated and conducted testing was designed to exercise the various system components in a manner similar to a typical use.

## TEST REPORT

### 3.3 Details of EUT and Description of Accessories

#### Details of EUT:

An AC/DC Adaptor (Provided with the unit) was used to power the device. Their descriptions are listed below.

An AC/DC adaptor (Model: VT05EUS05100; Input: 100-240VAC 50/60Hz; Output: 5.0VDC 1.0A) (Provided by Applicant)

#### Description of Accessories:

Parent Unit, Model: VM929HQ PU, FCC ID: EW780-3467-01 (Provided by Applicant)

### 3.4 Measurement Uncertainty

Decision Rule for compliance: For FCC/IC standard, the measured value must be within the limits of applicable standard without accounting for the measurement uncertainty. For EN/IEC/HKTA/HKTC standard, conformity rules will be used as per standard directly excepted EN/IEC 61000-3-2, EN/IEC 61000-3-3, HKTA1004, HKCA1008, HKTA1019, HKTA1020, HKTA1041 and HKTA1044.

Uncertainty and Compliance - Unless the standard specifically states that measured values are to be extended by the measurement uncertainty in determining compliance, all compliance determinations are based on the actual measured value.

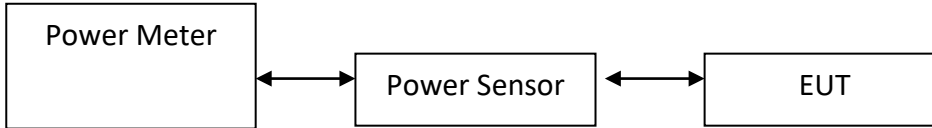
**TEST REPORT**

**EXHIBIT 4 TEST RESULTS**

4.1 Maximum Conducted (Peak) Output Power at Antenna Terminals

RF Conducted measurement Test Setup by a Spectrum Analyzer

The figure below shows the test setup, which is utilized to make these measurements.



- The antenna power of the EUT was connected to the input of a power meter. Power was read directly and cable loss correction was added to the reading to obtain power at the EUT antenna terminals.
- The antenna port of the EUT was connected to the input of a spectrum analyzer. The analyzer was set for RBW>20dB bandwidth and power was read directly in dBm. External attenuation and cable loss were compensated for using the OFFSET function of the analyzer.

Baby Unit Peak Antenna Gain = 1 dBi (Refer to Test Data.pdf)

Frequency (MHz)	Output in dBm	Output in mWatt
Low Channel: 2405 (P.12)	17.19	52.36
Middle Channel: 2441 (P.25)	17.48	55.98
High Channel: 2475 (P.33)	17.27	53.33

Cable loss: 0.5dB External Attenuation: 0dB

Cable loss, external attenuation:  included in OFFSET function  
 added to SA raw reading

dBm Max. Output Level = 17.48 dBm

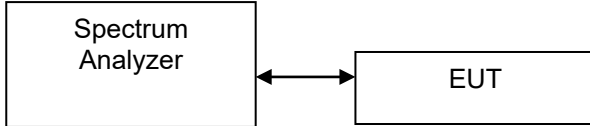
Limits:

0.125W (21dBm) for antennas with gains of 6dBi or less.

**TEST REPORT**

4.2 Maximum 20dB RF Bandwidth

The figure below shows the test setup, which is utilized to make these measurements.



The antenna port of the EUT was connected to the input of a spectrum analyzer. Analyzer RES BW was chosen so that the display was a result of the hopping channel modulation. For each RF output channel investigated, the spectrum analyzer center frequency was set to the channel carrier. A PEAK output reading was taken, a DISPLAY line was drawn 20dB lower than PEAK level. The 20dB bandwidth was determined from where the channel output spectrum intersected the display line.

Baby Unit (Refer to Test Data.pdf)

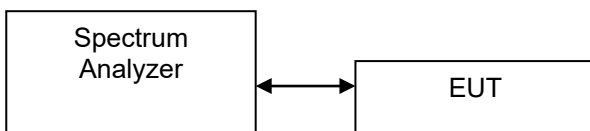
Frequency (MHz)	20dB Bandwidth (kHz)
Low Channel: 2405 (P.13)	2455
Middle Channel: 2441 (P.26)	2455
High Channel: 2475 (P.34)	2455

Limits:

N/A for 2400-2483.5MHz

4.3 Minimum Number of Hopping Frequencies

The figure below shows the test setup, which is utilized to make these measurements.



With the analyzer set to MAX HOLD readings were taken for 2-3 minutes in each band. The channel peaks so recorded were added together, and the total number compared to the minimum number of channels required in the regulation.

Baby Unit	
No. of Hopping Channels:	16

Minimum Requirements:

At least 15 hopping channels for 2400MHz-2483.5MHz

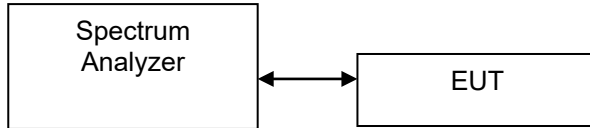
The plots of number of hopping frequencies are saved as below.



## TEST REPORT

### 4.4 Minimum Hopping Channel Carrier Frequency Separation

The figure below shows the test setup, which is utilized to make these measurements.



Using the DELTA MARKER function of the analyzer, the frequency separation between two adjacent channels was measured and met the requirement.

Baby Unit	
Channel Separation (Channel 3 and Channel 4)	2000kHz

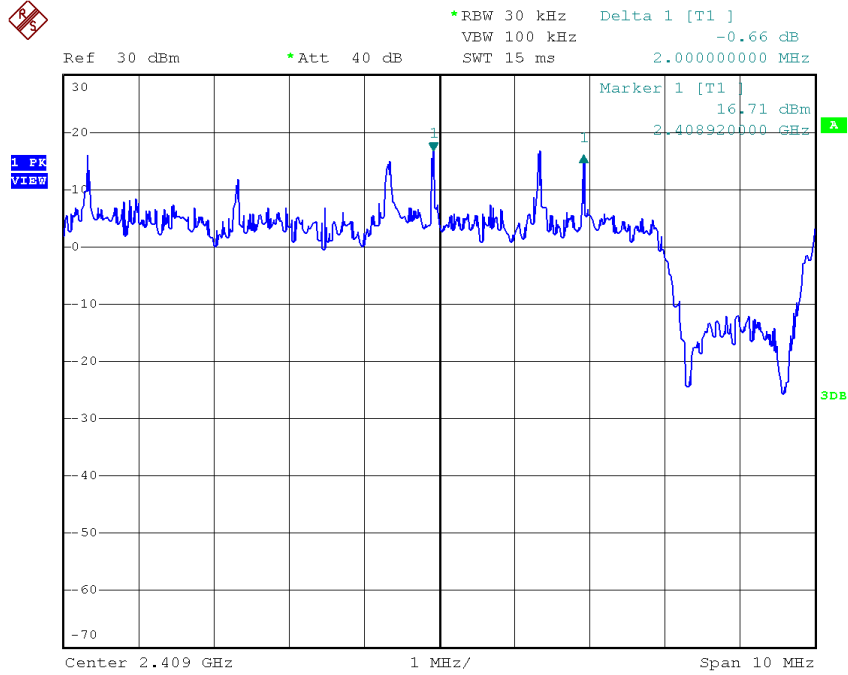
Limits:

The channel separation must be larger than:  
2/3 of 20dB bandwidth of hopping channel: 1636.7kHz

The plot(s) of hopping channel carrier frequency separation is saved as below.

## TEST REPORT

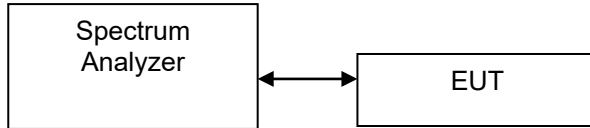
### PLOTS OF HOPPING CHANNEL CARRIER FREQUENCY SEPARATION



**TEST REPORT**

4.5 Average Channel Occupancy Time

The figure below shows the test setup, which is utilized to make these measurements.



The spectrum analyzer center frequency was set to one of the known hopping channels. The SWEEP was set to 1ms, the SPAN was set to ZERO SPAN, and the TRIGGER was set to VIDEO. The time duration of the transmission so captured was measured with the MARKER DELTA function.

The SWEEP was then set to the time required by the regulation (20 seconds for 902-928 MHz devices, if the 20dB bandwidth is less than 250kHz, 10 seconds for 902-928 MHz if the 20dB bandwidth is or greater than 250kHz, “0.4 seconds x Number of hopping channels employed” seconds for 2400-2483.5 MHz, 30 seconds for 5725-5850 MHz). The analyzer was set to SINGLE SWEEP, the total ON time was added and compared against the limit (0.4 seconds).

<b>Baby Unit (Worst-Case) (Refer to Test Data.pdf P.10)</b>	
Average Occupancy Time (Traffic – in a clear RF environment) =	247.718ms

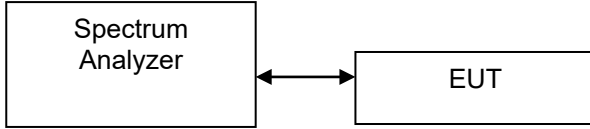
Limits:

Average 0.4 seconds maximum occupancy in:  
2400MHz-2483.5MHz  
(Traffic – in a clear RF environment)

**TEST REPORT**

4.6 Out of Band Conducted Emissions

The figure below shows the test setup, which is utilized to make these measurements.



In any 100kHz bandwidth outside the EUT passband, the RF power produced by the modulation products of the spreading sequence, the information sequence, and the carrier frequency shall be at least 20dB below that of the maximum in-band 100 kHz emission.

The plot(s) of bandedge compliance is shown the worst-case which has been already considered between enable and disable the hopping function of the EUT.

Furthermore, delta measurement technique for measuring bandedge emissions was incorporated in the test of the edge at 2483.5MHz.

Limits:

All spurious emission and up to the tenth harmonic was measured and they were found to be at least 20 dB below the highest level of the desired power in the passband.

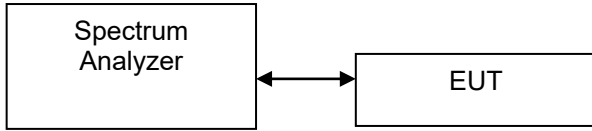
Baby Unit (Refer to Test Data.pdf)

Frequency (MHz)	Out of Band Conducted Emissions	Band Edge (Frequency Dependent)	Band Edge (Frequency Independent)
Low Channel: 2405	P.22	P.16	P.4
Middle Channel: 2441	P.30	N/A	N/A
High Channel: 2475	P.43	P.37	P.7

## TEST REPORT

### OCCUPIED BANDWIDTH

The figure below shows the test setup, which is utilized to make these measurements.



Occupied Bandwidth Results: (Baby Unit) (Refer to Test Data.pdf)

Frequency (MHz)	Occupied Bandwidth (kHz)
Low Channel: 2405 (P.14)	2376
Middle Channel: 2441 (P.27)	2376
High Channel: 2475 (P.35)	2614

## TEST REPORT

### 4.7 Field Strength Calculation

The field strength is calculated by adding the reading on the Spectrum Analyzer to the factors associated with preamplifiers (if any), antennas, cables, pulse desensitization and average factors (when specified limit is in average and measurements are made with peak detectors). A sample calculation is included below.

$$FS = RA + AF + CF - AG + PD + AV$$

where

FS	=	Field Strength in dB $\mu$ V/m
RA	=	Receiver Amplitude (including preamplifier) in dB $\mu$ V
CF	=	Cable Attenuation Factor in dB
AF	=	Antenna Factor in dB
AG	=	Amplifier Gain in dB
PD	=	Pulse Desensitization in dB
AV	=	Average Factor in -dB

In the radiated emission table which follows, the reading shown on the data table may reflect the preamplifier gain. An example of the calculations, where the reading does not reflect the preamplifier gain, follows:

$$FS = RA + AF + CF - AG + PD + AV$$

#### Example:

Assume a receiver reading of 62.0 dB $\mu$ V is obtained. The antenna factor of 7.4 dB and cable factor of 1.6 dB is added. The amplifier gain of 29.0 dB is subtracted. The pulse desensitization factor of the spectrum analyzer is 0.0 dB, and the resultant average factor is -10.0 dB. The net field strength for comparison to the appropriate emission limit is 32.0 dB $\mu$ V/m. This value in dB $\mu$ V/m is converted to its corresponding level in  $\mu$ V/m.

RA	=	62.0 dB $\mu$ V
AF	=	7.4 dB
CF	=	1.6 dB
AG	=	29 dB
PD	=	0.0 dB
AV	=	-10 dB
FS	=	$62.0 + 7.4 + 1.6 - 29.0 + 0.0 + (-10.0) = 32.0$ dB $\mu$ V/m

$$\text{Level in } \mu\text{V/m} = \text{Common Antilogarithm } [(32.0 \text{ dB}\mu\text{V/m})/20] = 39.8 \mu\text{V/m}$$

## TEST REPORT

### 4.8 Transmitter Radiated Emission and Spurious Emission

Data is included of the worst-case configuration (the configuration which resulted in the highest emission levels). A sample calculation, configuration photographs and data tables of the emissions are included.

The data on the following pages list the significant emission frequencies, the limit and the margin of compliance.

#### 4.8.1 Radiated Emission Configuration Photograph

Worst Case Radiated Emission

at Baby Unit: 479.95875MHz

The worst case radiated emission configuration photographs are attached in the Appendix and saved with filename: setup photos.pdf

#### 4.8.2 Radiated Emission Data

The data in tables 1-4 list the significant emission frequencies, the limit and the margin of compliance.

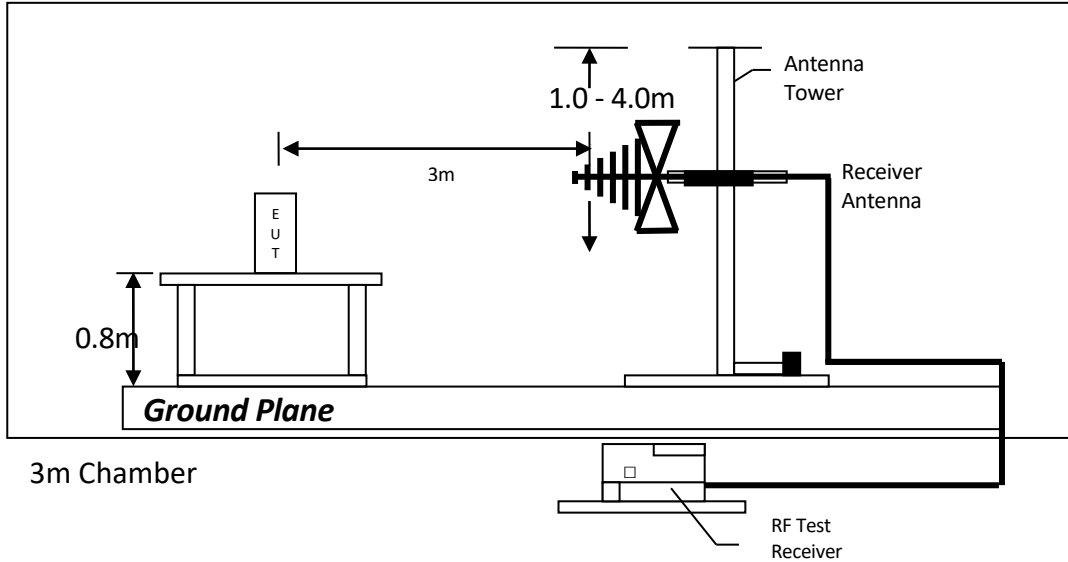
Judgement –

Baby Unit: Passed by 9.5 dB

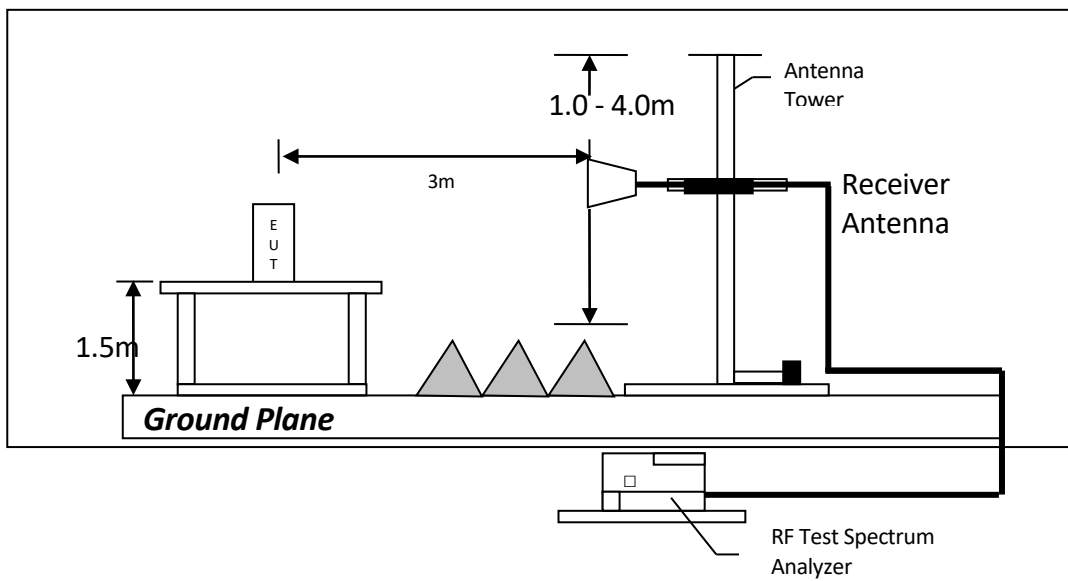
**TEST REPORT**

4.8.3 Radiated Emission Test Setup

The figure below shows the test setup, which is utilized to make these measurements.



Test setup of radiated emissions up to 1GHz



Test setup of radiated emissions above 1GHz

## TEST REPORT

### RADIATED EMISSION DATA

Mode: TX-Channel 2405

Table 1, Baby Unit

Polarization	Frequency (MHz)	Reading (dB $\mu$ V)	Pre-Amp Gain (dB)	Antenna Factor (dB)	Net at 3m (dB $\mu$ V/m)	Average Limit at 3m (dB $\mu$ V/m)	Margin (dB)
V	2390.000	44.2	33	29.4	40.6	54.0	-13.4
V	4810.000	36.7	33	34.9	38.6	54.0	-15.4
H	7215.000	31.4	33	37.9	36.3	54.0	-17.7
H	9620.000	27.1	33	40.4	34.5	54.0	-19.5
V	12025.000	29.2	33	40.5	36.7	54.0	-17.3
H	14430.000	34.5	33	40.0	41.5	54.0	-12.5

Polarization	Frequency (MHz)	Reading (dB $\mu$ V)	Pre-Amp Gain (dB)	Antenna Factor (dB)	Net at 3m - Peak (dB $\mu$ V/m)	Peak Limit at 3m (dB $\mu$ V/m)	Margin (dB)
V	2390.000	63.2	33	29.4	59.6	74.0	-14.4
V	4810.000	53.6	33	34.9	55.5	74.0	-18.5
H	7215.000	44.8	33	37.9	49.7	74.0	-24.3
H	9620.000	40.6	33	40.4	48.0	74.0	-26.0
V	12025.000	42.7	33	40.5	50.2	74.0	-23.8
H	14430.000	47.6	33	40.0	54.6	74.0	-19.4

- NOTES:
1. Peak detector is used for the emission measurement.
  2. Average detector is used for the average data of emission measurement.
  3. All measurements were made at 3 meters.
  4. Negative value in the margin column shows emission below limit.
  5. Horn antenna is used for the emission over 1000MHz
  6. Emissions within the restricted band meets the requirement of FCC Part 15 Section 15.205 / RSS-Gen Section 8.10
  7. Measurement Uncertainty is  $\pm 5.3$ dB at a level of confidence of 95%.

## TEST REPORT

### RADIATED EMISSION DATA

Mode: TX-Channel 2441

Table 2, Baby Unit

Polarization	Frequency (MHz)	Reading (dB $\mu$ V)	Pre-Amp Gain (dB)	Antenna Factor (dB)	Net at 3m (dB $\mu$ V/m)	Average Limit at 3m (dB $\mu$ V/m)	Margin (dB)
V	4882.000	40.1	33	34.9	42.0	54.0	-12.0
H	7323.000	31.9	33	37.9	36.8	54.0	-17.2
H	9764.000	27.8	33	40.4	35.2	54.0	-18.8
V	12205.000	29.5	33	40.5	37.0	54.0	-17.0
H	14646.000	34.8	33	38.4	40.2	54.0	-13.8

Polarization	Frequency (MHz)	Reading (dB $\mu$ V)	Pre-Amp Gain (dB)	Antenna Factor (dB)	Net at 3m - Peak (dB $\mu$ V/m)	Peak Limit at 3m (dB $\mu$ V/m)	Margin (dB)
V	4882.000	52.6	33	34.9	54.5	74.0	-19.5
H	7323.000	45.3	33	37.9	50.2	74.0	-23.8
H	9764.000	41.0	33	40.4	48.4	74.0	-25.6
V	12205.000	43.1	33	40.5	50.6	74.0	-23.4
H	14646.000	48.4	33	38.4	53.8	74.0	-20.2

- NOTES:
1. Peak detector is used unless otherwise stated.
  2. Average detector is used for the average data of emission measurement.
  3. All measurements were made at 3 meters.
  4. Negative value in the margin column shows emission below limit.
  5. Horn antenna is used for the emission over 1000MHz
  6. Emissions within the restricted band meets the requirement of FCC Part 15 Section 15.205 / RSS-Gen Section 8.10
  7. Measurement Uncertainty is  $\pm 5.3$ dB at a level of confidence of 95%.

## TEST REPORT

### RADIATED EMISSION DATA

Mode: TX-Channel 2475

Table 3, Baby Unit

Polarization	Frequency (MHz)	Reading (dB $\mu$ V)	Pre-Amp Gain (dB)	Antenna Factor (dB)	Net at 3m (dB $\mu$ V/m)	Average Limit at 3m (dB $\mu$ V/m)	Margin (dB)
V	2483.500	48.0	33	29.4	44.4	54.0	-9.6
V	4950.000	36.1	33	34.9	38.0	54.0	-16.0
V	7425.000	31.1	33	37.9	36.0	54.0	-18.0
H	9900.000	27.6	33	40.4	35.0	54.0	-19.0
V	12375.000	29.9	33	40.5	37.4	54.0	-16.6
H	14850.000	35.2	33	38.4	40.6	54.0	-13.4

Polarization	Frequency (MHz)	Reading (dB $\mu$ V)	Pre-Amp Gain (dB)	Antenna Factor (dB)	Net at 3m - Peak (dB $\mu$ V/m)	Peak Limit at 3m (dB $\mu$ V/m)	Margin (dB)
V	2483.500	65.1	33	29.4	61.5	74.0	-12.5
V	4950.000	48.8	33	34.9	50.7	74.0	-23.3
V	7425.000	45.4	33	37.9	50.3	74.0	-23.7
H	9900.000	41.1	33	40.4	48.5	74.0	-25.5
V	12375.000	44.1	33	40.5	51.6	74.0	-22.4
H	14850.000	49.2	33	38.4	54.6	74.0	-19.4

- NOTES: 1. Peak detector is used unless otherwise stated.  
 2. Average detector is used for the average data of emission measurement.  
 3. All measurements were made at 3 meters.  
 4. Negative value in the margin column shows emission below limit.  
 5. Horn antenna is used for the emission over 1000MHz  
 6. Emissions within the restricted band meets the requirement of FCC Part 15 Section 15.205 / RSS-Gen Section 8.10  
 7. Measurement Uncertainty is  $\pm 5.3$ dB at a level of confidence of 95%.

## TEST REPORT

### RADIATED EMISSION DATA

Mode: BU Operating

Table 4, Baby Unit

Polarization	Frequency (MHz)	Reading (dB $\mu$ V)	Pre-amp (dB)	Antenna Factor (dB)	Net at 3m (dB $\mu$ V/m)	Limit at 3m (dB $\mu$ V/m)	Margin (dB)
V	33.516	26.3	16	10.0	20.3	40.0	-19.7
V	56.069	22.4	16	11.0	17.4	40.0	-22.6
V	117.906	19.3	16	14.0	17.3	43.5	-26.2
V	383.929	21.1	16	24.0	29.1	46.0	-16.9
V	431.944	22.0	16	25.0	31.0	46.0	-15.0
V	479.959	26.5	16	26.0	36.5	46.0	-9.5
V	499.965	25.9	16	26.0	35.9	46.0	-10.1
V	948.105	17.6	16	33.0	34.6	46.0	-11.4

- NOTES: 1. Peak detector is used for the emission measurement.  
 2. Average detector is used for the average data of emission measurement.  
 3. All measurements were made at 3 meters.  
 4. Negative value in the margin column shows emission below limit.  
 5. Emissions within the restricted band meets the requirement of FCC Part 15 Section 15.205 / RSS-Gen Section 8.10  
 6. Measurement Uncertainty is  $\pm 5.3$ dB at a level of confidence of 95%.

## TEST REPORT

### 4.9 AC Power Line Conducted Emission

EUT connects to AC power line. Emission Data is listed in following pages.

#### 4.9.1 AC Power Line Conducted Emission Configuration Photograph

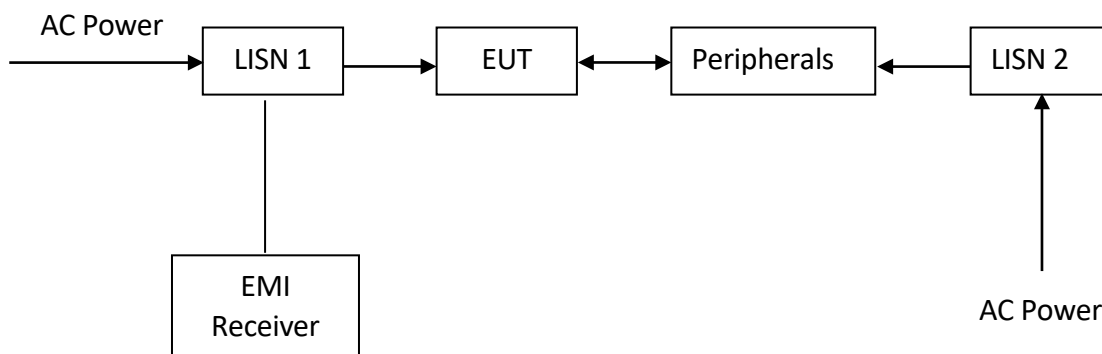
The worst-case line conducted configuration photographs are attached in the Appendix and saved with filename: setup photos.pdf.

#### 4.9.2 AC Power Line Conducted Emission Data

The plot(s) and data in the following pages list the significant emission frequencies, the limit and the margin of compliance.

Passed by over 20 dB margin

#### 4.9.3 Conducted Emission Test Setup



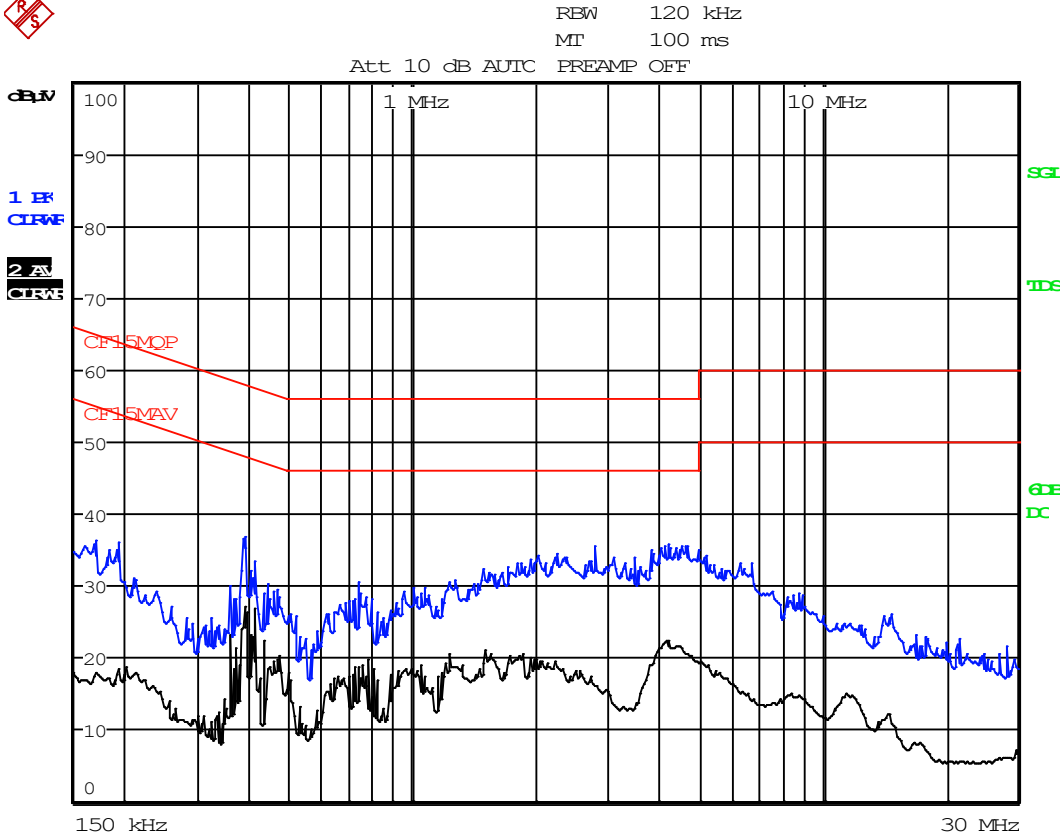
The EUT along with its peripherals were placed on a 1.0m(W)×1.5m(L) and 0.8m in height wooden table and the EUT was adjusted to maintain a 0.4 meter space from a vertical reference plane. The EUT was connected to power mains through a line impedance stabilization network (LISN), which provided 50 ohm coupling impedance for measuring instrument and the chassis ground was bounded to the horizontal ground plane of shielded room. The excess power cable between the EUT and the LISN was bundled.

All connecting cables of EUT and peripherals were moved to find the maximum emission.

## TEST REPORT

### AC POWER LINE CONDUCTED EMISSION

Worst Case: BU Operating



## TEST REPORT

### EXHIBIT 5 EQUIPMENT LIST

#### 1) Radiated Emissions Test

Equipment	EMI Test Receiver (9kHz to 26.5GHz)	Biconical Antenna (30MHz to 300MHz)	Log Periodic Antenna
Registration No.	EW-3156	EW-3242	EW-3243
Manufacturer	ROHDESCHWARZ	EMCO	EMCO
Model No.	ESR26	3110C	3148B
Calibration Date	January 31, 2024	April 26, 2022	October 30, 2022
Calibration Due Date	January 31, 2025	July 26, 2024	July 30, 2024

Equipment	Double Ridged Guide Antenna (1GHz - 18GHz)	Active Loop Antenna (H-field) (9kHz to 30MHz)	RF Preamplifier (9kHz to 6000MHz)
Registration No.	EW-0194	EW-3326	EW-3006b
Manufacturer	EMCO	EMCO	SCHWARZBECK
Model No.	3115	6502	BBV9718
Calibration Date	May 10, 2023	January 05, 2024	October 20, 2023
Calibration Due Date	November 10, 2024	July 05, 2025	October 20, 2024

Equipment	2.4GHz Notch Filter	14m Double Shield RF Cable (9kHz - 6GHz)	RF Cable 14m (1GHz to 26.5GHz)
Registration No.	EW-3435	EW-2376	EW-2781
Manufacturer	MICROWAVE	RADIALL	GREATBILLION
Model No.	N0324413	n m/br56/bnc m 14m	SMA m/SHF5MPU /SMA m ra14m,26G
Calibration Date	September 26, 2023	September 19, 2023	January 16, 2024
Calibration Due Date	September 26, 2024	September 19, 2024	January 16, 2025

Equipment	12 metre RF Cable (1- 40)GHz	Pyramidal Horn Antenna
Registration No.	EW-2774	EW-0905
Manufacturer	GREATBILLION	EMCO
Model No.	SMA m-m ra 12m 40G outdoor	3160-09
Calibration Date	January 16, 2024	December 15, 2023
Calibration Due Date	January 16, 2025	June 15, 2025

## TEST REPORT

### 5.0 EQUIPMENT LIST (CONT'D)

#### 2) Conducted Emissions Test

Equipment	RF Cable 240cm (RG142) (9kHz to 30MHz)	Artificial Mains Network	EMI Test Receiver (9kHz to 3GHz)
Registration No.	EW-2454	EW-3360	EW-3095
Manufacturer	RADIALL	ROHDESCHWARZ	ROHDESCHWARZ
Model No.	Bnc m st / 142 / bnc mra 240cm	ENV-216	ESCI
Calibration Date	June 13, 2023	April 07, 2024	January 18, 2024
Calibration Due Date	September 13, 2024	April 07, 2025	January 18, 2025

#### 3) Conductive Measurement Test

Equipment	RF Power Meter with Power Sensor (N1921A)	EMI Test Receiver (9kHz to 26.5GHz)
Registration No.	EW-3309	EW-3156
Manufacturer	ROHDESCHWARZ	ROHDESCHWARZ
Model No.	NRP-Z81	ESR26
Calibration Date	February 14, 2023	January 31, 2024
Calibration Due Date	August 14, 2024	January 31, 2025

#### 4) Control Software for Radiated Emission

Software Information	
Software Name	EMC32
Manufacturer	ROHDESCHWARZ
Software version	10.50.40 & 10.40.10

END OF TEST REPORT