

Go to www.vtechbabycare.com to register your product for enhanced warranty support and latest VTech product news.

Advanced HQ Max
Advanced HQ Max Twin
VM929HQ
VM929-2HQ
928 PLUS
928 PLUS TWIN
7" High-Quality
Pan & Tilt Video Monitor



For more support information
Model No.: 346700 Model No.: 346800



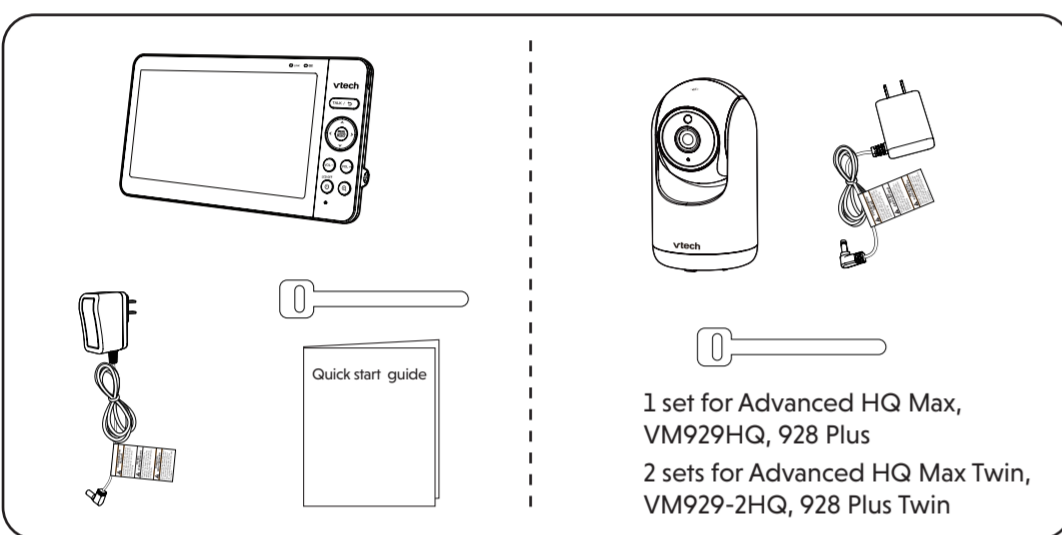
vtech®

Quick start guide

Congratulations

on purchasing your new VTech product.
Before using this baby monitor, please read the **Important safety instructions**.

WHAT'S IN THE BOX



IMPORTANT SAFETY INSTRUCTIONS

The applied nameplate is located at the bottom of the baby unit base. When in use, basic safety precautions should always be followed to reduce the risk of fire, electric shock and injury, including the following:

- Follow all warnings and instructions marked on the product.
- Adult supervision is required.
- CAUTION:** Do not install the baby unit at a height above 6.5 feet (2 meters).
- This product is intended as an aid. It is not a substitute for responsible and proper adult supervision and should not be used as such.
- This product is not intended for use as a medical monitor.
- Do not use this product near water, for example, near to a bath, sink, swimming pool or shower.
- CAUTION:** Use only the internal, non-user replaceable battery fitted to the parent unit. There may be a risk of explosion if a wrong type of battery is used for the parent unit. The battery cannot be subjected to high or low extreme temperature and low air pressure at high altitude during use, storage or transportation. Disposal of batteries in fire or a hot oven, mechanically crushing or cutting the battery can result in an explosion. Subjecting products or batteries to an extremely high temperature environment can result in explosion or leakage of flammable liquids, or gas. Products or batteries subjected to extremely low air pressures may result in explosion or leakage of flammable liquids, or gas. Dispose of used batteries according to the information in **The RBRC seal**.
- Use only the power adapters supplied with this product. Incorrect power adapter polarity or voltage can seriously damage the product.

Power adapter information:

Baby Unit Output: 5V DC 1A
VTech Telecommunications Ltd.
Model: VT05EUS05100

-OR-
Jiangxi Jian Aohai Technology Co., Ltd.
Model: A318-050100W-U2
Parent Unit Output: 5V DC 2A
VTech Telecommunications Ltd.
Model: VT07EUS05200

-OR-
Jiangxi Jian Aohai Technology Co., Ltd.
Model: A938-050200W-U51

Rechargeable battery information:

3.7V 5000mAh, 18.5Wh Lithium-ion battery
Zhuohai Great Power Energy Co., Ltd.
Model: GSP806090-5Ah-3.7V-1S1P

- The power adapter is intended to be correctly oriented in a vertical or floor mount position. The prongs are not designed to hold the plug in place if it is plugged into a ceiling, under-the-table or cabinet outlet.
- For pluggable equipment, the socket-outlet (power adapter) should be installed near the equipment and should be easily accessible.
- Unplug this product from the wall outlet before cleaning. Do not use liquid or aerosol cleaners. Use a damp cloth for cleaning.
- Do not modify the power adapters or replace with other third-party adapters.
- Do not allow anything to rest on the power cords. Do not install this product where the cords may be walked on or damaged.
- The product should only be operated from a power source indicated on the power adapter label or marking. If you are unsure of the type of power supply in your home, consult your dealer or electricity supply provider.
- Do not overload wall outlets or use an extension cord.
- Do not place this product on an unstable table, shelf, stand or other unstable surfaces.
- This product should not be placed in any area where proper ventilation is not provided. Any slots or openings in the back or bottom of this product are provided for ventilation. To protect from overheating, openings must not be blocked by placing the product on a soft surface such as a bed, sofa or rug. This product should never be placed near or over a radiator or heat source.
- Never insert any objects through any apertures or slots in the product as this can be dangerous and cause damage to the battery or other internal parts. Never spill any liquids on the product.
- To reduce the risk of electric shock, do not disassemble this product, but take it to an authorized service facility. Disassembling or removing parts of the product other than battery replacement via a battery door (if applicable) may expose dangerous voltages or other risks.
- You should test the sound reception every time you turn on the units or move one of the components.
- Periodically examine all components for damage.
- There is a very low risk of privacy loss when using certain electronic devices, such as baby monitors, cordless telephones, etc. To protect your privacy, make sure the product has never been used before purchase, reset the baby monitor periodically by powering off and then powering on the units, and power off the baby monitor if you are not intending to use it for some time.
- Children should be supervised to ensure that they do not play with the product.
- The small parts of this monitor can be swallowed by babies or small children. Keep these parts out of reach of children.
- The product is not intended for use by persons (including children) with reduced physical, sensory or mental capabilities, or lack of experience and knowledge, unless they have been given supervision or instruction concerning use of the appliance by a person responsible for their safety.

SAVE THESE INSTRUCTIONS

Cautions

- Use and store the product at a temperature between 32°F (0°C) and 104°F (40°C).
- Mishandling batteries can cause burn, fire or explosion hazards.
- Batteries should not be exposed to excessive heat such as bright sunshine or fire.
- Do not expose the product to extreme cold, heat or direct sunlight. Do not place the product close to a heating source.
- Warning—Strangulation Hazard—Children have STRANGLED in cords. Keep this cord out of the reach of children (more than 3 ft (0.9m) away). Do not remove warning label on the adapter cord.
- Never place the camera unit(s) inside the baby's crib or playpen. Never cover the camera unit(s) or parent unit with anything such as a towel or blanket.
- Other electronic products can cause interference to your parent unit and baby unit. Try installing your baby unit as far away as possible from the following electronic devices: wireless routers, radios, mobile telephones, intercoms, room monitors, televisions, personal computers, kitchen appliances (e.g. microwave ovens) and cordless telephones.

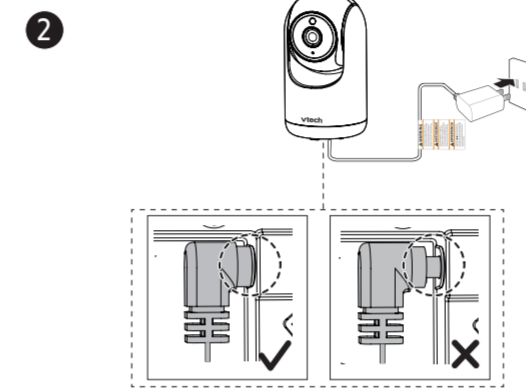
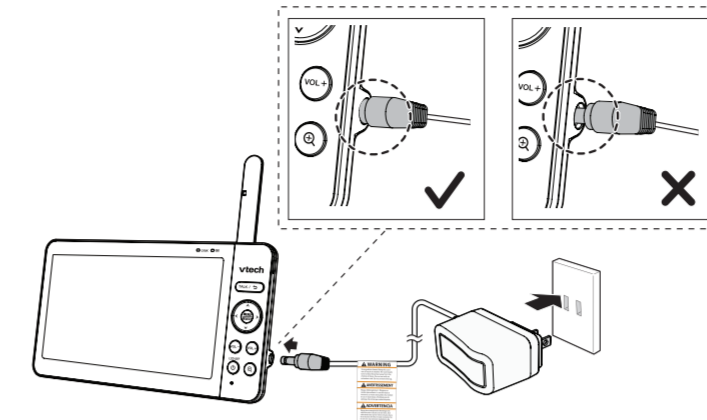
Precautions for users of implanted cardiac pacemakers
Cardiac pacemakers (applies only to digital cordless devices): Wireless Technology Research, LLC (WTR), an independent research entity, led a multidisciplinary evaluation of the interference between portable wireless devices and implanted cardiac pacemakers. Supported by the U.S. Food and Drug Administration, WTR recommends to physicians that:

- Should keep wireless devices at least six inches from the pacemaker.
- Should NOT place wireless devices directly over the pacemaker, such as in a breast pocket, when it is turned ON. WTR's evaluation did not identify any risk to bystanders with pacemakers from other persons using wireless devices.

Electromagnetic fields (EMF)
This VTech product complies with all standards regarding electromagnetic fields (EMF). If handled properly and according to the instructions in this user's manual, the product is safe to use based on scientific evidence available today.

1 CONNECT THE BABY MONITOR

- Connect the parent unit and baby unit to the supplied adapters and mains supply. The parent unit will turn on automatically after connecting to the power socket.

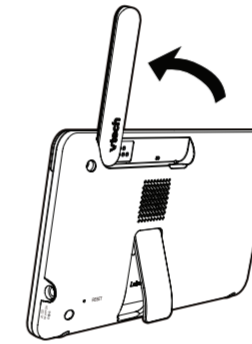


NOTES

- Peel off the lens/screen protector before use.
- The baby unit may get warm during use. This is normal.



- For optimum reception, always raise the parent unit antenna.



1 CONNECT THE BABY MONITOR (CONT'D)

NOTES

- Before using the baby monitor for the first time, charge the parent unit battery for 12 hours. When the parent unit battery is fully charged, the battery icon segments become solid.
- It takes longer to charge the battery when the parent unit is turned on. To shorten the charging time, turn the parent unit off while charging.
- The standby time varies depending on the sensitivity level you set, your actual use and the age of the battery.

The battery icon indicates the battery status (see the following table).

| BATTERY INDICATORS | BATTERY STATUS | ACTION |
|---|---|--|
| The screen displays . The red light flashes. | The battery has very little charge and may be used for only a short time. | Charge without interruption (about 30 minutes). |
| The battery icon segments are solid . | The battery is fully charged. | To keep the battery charged, connect it to AC power when in use. |

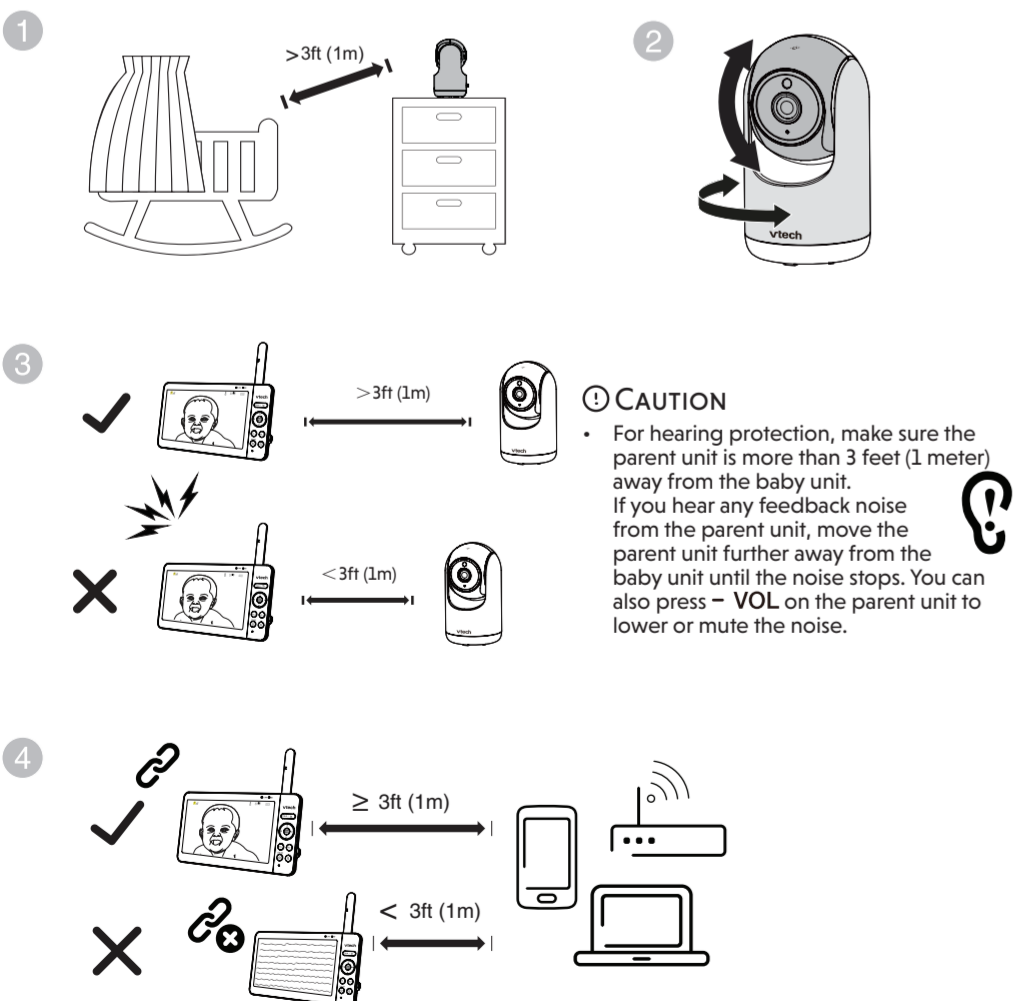
2 POWER ON OR OFF THE BABY MONITOR

- Connect the baby unit to a power supply to turn it on. Disconnect the baby unit to turn it off.
- Press and hold to power on or off your parent unit. Once you power on both your baby unit and parent unit, your parent unit displays images from the baby unit, and the **LINK** LED light turns on.



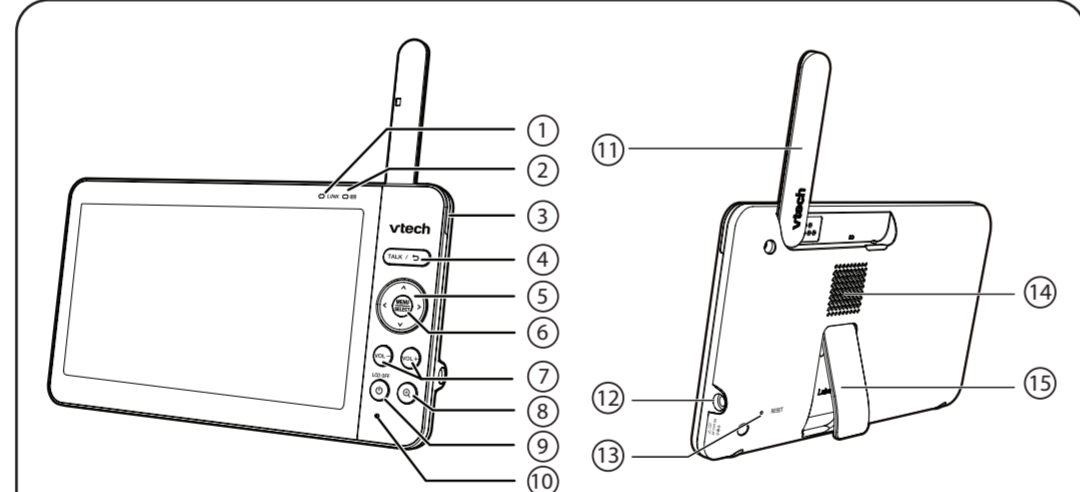
3 POSITIONING THE BABY MONITOR

- CAUTION**
- Keep the baby unit out of the reach of your baby. Never place or mount the baby unit inside the baby's cot or playpen.



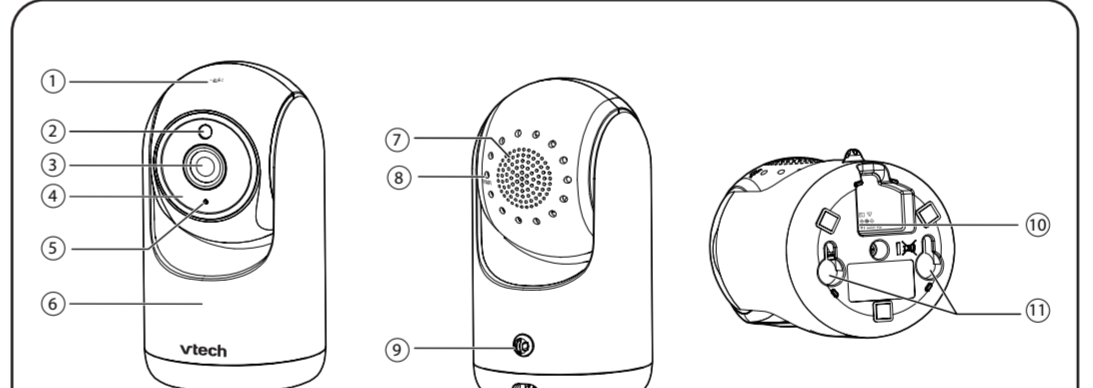
- NOTE**
- To avoid interference from other electronic devices, place your baby monitor at least 3 feet (1 meter) away from devices such as wireless routers, microwave ovens, mobile phones and computers.

OVERVIEW - PARENT UNIT



- LINK LED light**
 - On when the parent unit is linked to the baby unit.
 - Flashes when the link to the baby unit is lost.
- LED light**
 - On when the parent unit is connected to AC power, and the battery is charging.
 - Flashes when the parent unit battery is low and needs to be charged.
- 3-level sound indicator light**
The lights indicate different sound levels detected from the baby unit.
 - Green light: low sound level.
 - Green and amber lights: moderate sound level.
 - Green, amber, and red lights: high sound level.
- TALK**
 - Press and hold to talk to the baby unit.
 - is displayed on screen while the button is pressed.
 - While in a sub-menu, press to exit.
- Arrow keys**
 - Press to navigate leftward, upward, rightward or downward, within the main menu and sub-menus.
 - Press to move the baby unit camera leftward, rightward, upward or downward.
- MENU/SELECT**
 - Press to enter the main menu.
 - While in a menu, press to confirm a selection, or save a setting.
- VOL/ VOL +**
 - Increase or decrease parent unit volume.
- Zoom**
 - Press to zoom in/out to different levels.
- Power | LCD OFF**
 - Press and hold to turn on/off the power.
 - Press to turn on/off the LCD screen.
- Microphone**
- Antenna**
- Power jack**
- RESET**
 - Force reboot the parent unit.
- Speaker**
- Stand**

OVERVIEW - BABY UNIT



- Night Light Control Key**
 - Tap to turn on/off the night light.
- Light Sensor**
- Camera lens**
- Infrared LEDs**
 - Allows you to see clearly in a dark environment.
- Microphone**
- Night light**
- Speaker**
- PAIR key**
 - The parent unit and baby unit provided are already paired.
- Temperature sensor**
- Power jack**
- Slots for wall mounting**

| Status icons | Status icons |
|--|---|
| Direct mode Parent unit and baby unit are connected to each other directly. Signal strength is indicated by the signal icon(s) on the right. The red bar(s) indicates no connection. Baby unit 1 and 2 are being viewed in Patrol mode (For Advanced HQ Max Twin, VM929-2HQ, 928 Plus Twin only). | Melodies and soothing sounds are playing. |
| Night vision is turned on. | Night light is turned on. |
| Auto night light brightness is activated. | Temperature alert is turned on. |
| Parent unit is muted. | Temperature measured at baby unit. |
| Temperature measured at baby unit. | Battery level indicator |
| Motion detection alert is turned on. | Low battery indicator |

PARENT UNIT ICONS

| Main Menu | Sub-menu | Options | Main Menu | Sub-menu | Options |
|-----------|--|---|-----------|---------------------------|--|
| | Monitoring mode (For Advanced HQ Max Twin, VM929-2HQ, 928 Plus Twin only) | <ul style="list-style-type: none"> View baby units in Single mode. View baby units in Patrol mode (switch view every 10 seconds). View baby units in Split screen. | | Screen Off Timer | <ul style="list-style-type: none"> Turn the screen off timer OFF, or set the screen to turn off after 1, 3 or 5 minutes when no sound is detected. Select AUTO to set the Sound Sensitivity level for the screen to auto turn on when a sound level is detected that is higher than the set level. The screen will turn off after 50 seconds of no sound detection. |
| | Night light | <ul style="list-style-type: none"> On/Off Toggle the night light on or off. | | Color | <ul style="list-style-type: none"> Select one of the 10 night light colors. |
| | Brightness | <ul style="list-style-type: none"> Adjust the night light brightness. Set the brightness to AUTO adaptive ambience. | | Temperature Format | <ul style="list-style-type: none"> Set the temperature display format between Celsius or Fahrenheit. |
| | Timer | <ul style="list-style-type: none"> Set the timer to turn the night light off after 15, 30 or 60 minutes, or always on. | | Other | <ul style="list-style-type: none"> Reset settings |
| | Melodies and soothing sounds | <ul style="list-style-type: none"> Play/Stop Toggle between play and stop. | | Alerts Settings | <ul style="list-style-type: none"> Adjusts the alert tone volume level. |
| | Library | <ul style="list-style-type: none"> Select to play all melodies, or play one of the five melodies or five soothing sounds. | | Motion Detect | <ul style="list-style-type: none"> Turn the motion detection alert on/off. Adjust Motion Sensitivity level for waking the parent unit screen. |
| | Camera Volume | <ul style="list-style-type: none"> Adjusts baby unit speaker volume. | | Temperature | <ul style="list-style-type: none"> Turn the temperature alert on/off. Select the temperature alert maximum and minimum temperature limits. |
| | Timer | <ul style="list-style-type: none"> Set the timer to stop playing after 15, 30 or 60 minutes, or play non-stop. | | Low Battery | <ul style="list-style-type: none"> Toggle the low battery alert on or off. |
| | General settings | <ul style="list-style-type: none"> Camera Volume Adjusts baby unit speaker volume. | | Lost Link | <ul style="list-style-type: none"> Toggle the lost link alert on or off. |
| | Screen Brightness | <ul style="list-style-type: none"> Adjusts parent unit screen brightness. | | Help and info | <ul style="list-style-type: none"> Help Support Information System Info System Information |