



5" Wi-Fi High Definition Video Monitor

LF815HD
LF815-2HD



Parent Guide

This guide contains important information. Please keep it for future reference.

Visit our website leapfrog.com for more information about products, downloads, resources and more. Read our complete warranty policy online at leapfrog.com/warranty.



Scan the QR code for more online support:



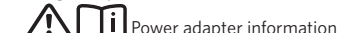
Or go to leapfrog.com/support

Important Safety Instructions

The applied nameplate is located at the bottom of the Baby Unit's base.

When using your equipment, basic safety precautions should always be followed to reduce the risk of fire, electric shock and injury, including the following:

- Follow all warnings and instructions marked on the product.
- Adult setup is required.
- CAUTION:** Do not install the Baby Unit at a height above 6.5 feet (2 meters).
- This product is intended as an aid. It is not a substitute for responsible and proper adult supervision and should not be used as such.
- This product is not intended for use as a medical monitor.
- Do not use this product near water, for example, near to a bath, sink, swimming pool or shower.
- CAUTION:** Use only the internal, non-user replaceable battery fitted to the Parent Unit. There may be a risk of explosion if a wrong type of battery is used for the Parent Unit. The battery cannot be subjected to high or low extreme temperature and low air pressure at high altitude during use, storage or transportation. Disposal of batteries in fire or a hot oven, mechanically crushing or cutting the battery can result in an explosion. Subjecting products or batteries to an extremely high temperature environment can result in explosion or leakage of flammable liquids, or gas. Products or batteries subjected to extremely low air pressures may result in explosion or leakage of flammable liquids, or gas. Dispose of used battery according to the information in **The RBRC seal**.
- Use only the power adapters included with this product. Incorrect power adapter polarity or voltage can seriously damage the product.



Power adapter information:

Baby Unit Output: 5V DC 1A;
V-Tech Telecommunications Ltd.;
Model: VT05EUS05100

-OR-
Jiangxi Jian Aohai Technology Co., Ltd.
Model: A318-050100W-US2
Parent Unit Output: 5V DC 2A;
V-Tech Telecommunications Ltd.;
Model: VT07EUS05200

-OR-
Jiangxi Jian Aohai Technology Co., Ltd.
Model: A938-050200W-US1



Rechargeable battery information:
Zhuhai Great Power Energy Co., Ltd.; Lithium battery,
3.7V 5000mAh; Model: GSP806090-5Ah-3.7V-1S1P

- The power adapter is intended to be correctly oriented in a vertical or floor mount position. The prongs are not designed to hold the plug in place if it is plugged into a ceiling, under-the-table or cabinet outlet.
- For pluggable equipment, the socket-outlet (power adapter) should be installed near the equipment and should be easily accessible.
- Unplug this product from the wall outlet before cleaning. Do not use liquid or aerosol cleaners. Use a damp cloth for cleaning.
- Do not modify the power adapters or replace with other third-party adapters.
- Do not allow anything to rest on the power cords. Do not install this product where the cords may be walked on or damaged.
- The product should only be operated from a power source indicated on the power adapter label or marking. If you are unsure of the type of power supply in your home, consult your dealer or electricity supply provider.
- Do not overload wall outlets or use an extension cord.
- Do not place this product on an unstable table, shelf, stand or other unstable surfaces.
- This product should not be placed in any area where proper ventilation is not provided. Any slots or openings in the back or bottom of this product are provided for ventilation. To protect from overheating, openings must not be blocked by placing the product on a soft surface such as a bed, sofa or rug. This product should never be placed near or over a radiator or heat source.

- Never insert any objects through any apertures or slots in the product as this can be dangerous and cause damage to the battery or other internal parts. Never spill any liquids on the product.
- To reduce the risk of electric shock, do not disassemble this product, but take it to an authorized service facility. Disassembling or removing parts of the product other than battery replacement via a battery door (if applicable) may expose dangerous voltages or other risks.
- You should test the sound reception every time you turn on the units or move one of the components.
- Periodically examine all components for damage.
- There is a very low risk of privacy loss when using certain electronic devices, such as baby monitors, cordless telephones, etc. **To protect your privacy, make sure the product has never been used before purchase, reset the baby monitor periodically by powering off and then powering on the units, and power off the baby monitor if you are not intending to use it for some time.**
- Children should be supervised to ensure that they do not play with the product.
- The small parts of this monitor can be swallowed by babies or small children. Keep these parts out of reach of children.
- The product is not intended for use by persons (including children) with reduced physical, sensory or mental capabilities, or lack of experience and knowledge, unless they have been given supervision or instruction concerning use of the appliance by a person responsible for their safety.

SAVE THESE INSTRUCTIONS

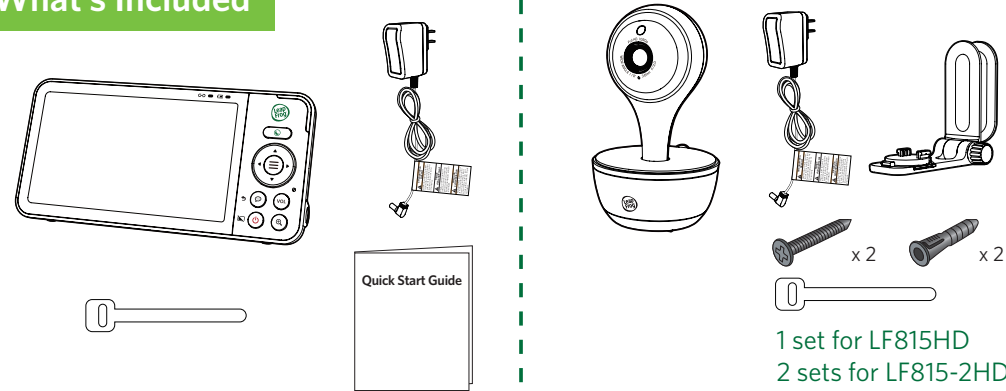
- Use and store the product at a temperature between 32°F (0°C) and 104°F (40°C).
- Mishandling batteries can cause burn, fire or explosion hazards.
- Batteries should not be exposed to excessive heat such as bright sunshine or fire.
- Do not expose the product to extreme cold, heat or direct sunlight. Do not place the product close to a heating source.
- Warning—Strangulation Hazard—**Children have STRANGLING in cords. Keep this cord out of the reach of children (more than 0.9m away). Do not remove warning label on the adapter cord.
- Never place the Baby Unit inside the baby's crib or playpen. Never cover the Baby Unit or parent unit with anything such as a towel or a blanket.
- Other electronic products can cause interference to your parent unit and Baby Unit. Try installing your Baby Unit as far away as possible from the following electronic devices: wireless routers, radios, mobile telephones, intercoms, room monitors, televisions, personal computers, kitchen appliances (e.g. microwave ovens) and cordless telephones.

Precautions for users of implanted cardiac pacemakers
Cardiac pacemakers (applies only to digital cordless devices): Wireless Technology Research, LLC (WTR), an independent research entity, led a multidisciplinary evaluation of the interference between portable wireless devices and implanted cardiac pacemakers. Supported by the U.S. Food and Drug Administration, WTR recommends to physicians that:

- Pacemaker patients**
- Should keep wireless devices at least six inches from the pacemaker.
 - Should NOT place wireless devices directly over the pacemaker, such as in a breast pocket, when it is turned ON. WTR's evaluation did not identify any risk to bystanders with pacemakers from other persons using wireless devices.

Electromagnetic fields (EMF)
This LeapFrog product complies with all standards regarding electromagnetic fields (EMF). If handled properly and according to the instructions in this user's manual, the product is safe to be used based on scientific evidence available today.

What's Included



1 set for LF815HD
2 sets for LF815-2HD

Download LeapFrog Baby Care+ App

Start monitoring from anywhere.

Scan the QR code to download the free LeapFrog Baby Care+ mobile app, or search "LeapFrog Baby Care+" on Apple App Store or Google Play Store.

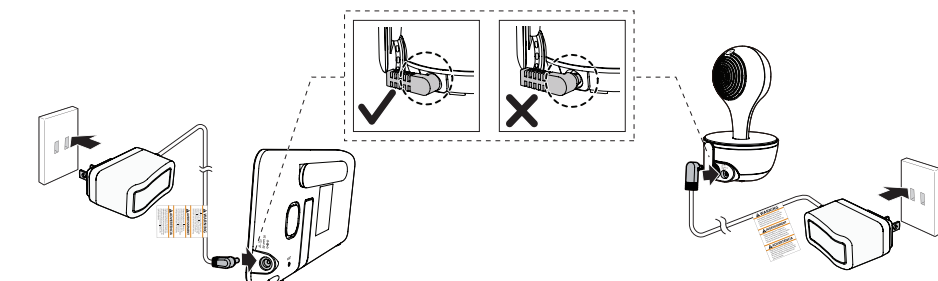


App Compatibility

- Android™ 9.0 or later (Not compatible with mobile devices with a 32-bit Android operating system)
- iOS 14 or later.

Connect, Charge, and Power On the Baby Monitor

1. Connect the Baby Monitor



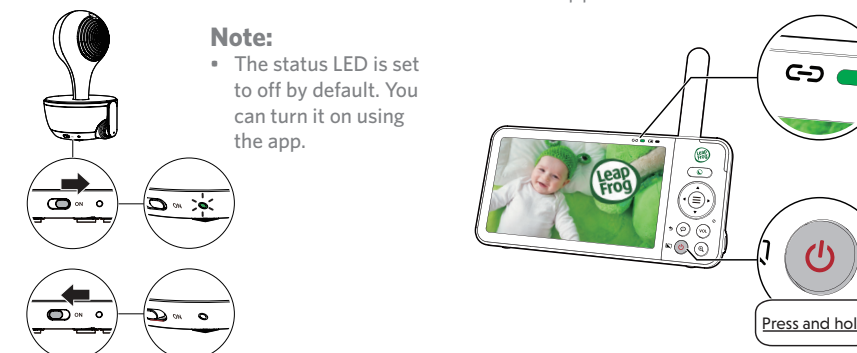
2. Charge the Parent Unit Battery

Notes:

- Before using the baby monitor for the first time, charge the Parent Unit battery for 12 hours. When the Parent Unit battery is fully charged, the battery icon segments become solid.
- The standby time varies depending on your actual usage time and the age of the battery.

3. Power On or Off the Baby Monitor

- Slide the On/Off switch to **ON** to power on your Baby Unit.
- Press and hold until the welcome screen appears.

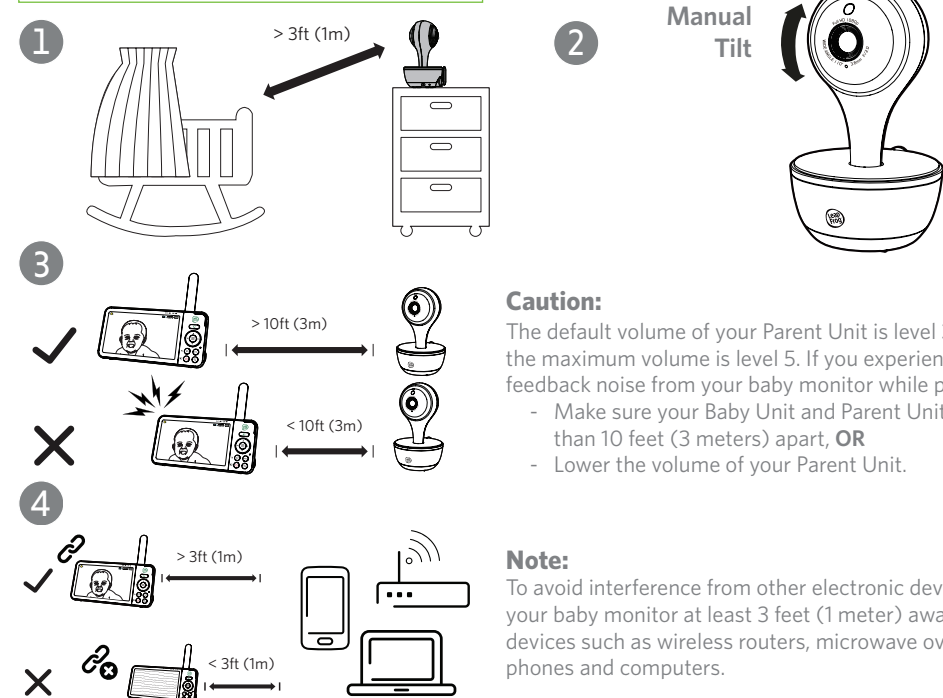


Note:
The status LED is set to off by default. You can turn it on using the app.

4. Status Check

The Parent Unit turns on automatically after connecting to the power socket, and the welcome screen appears. Then, the green LED light flashes and turns on steadily when successfully connected.

5. Positioning the Baby Monitor

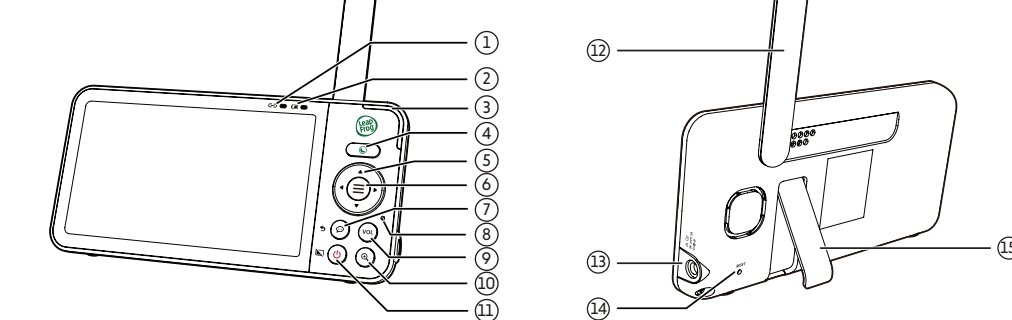


Caution:
The default volume of your Parent Unit is level 3, and the maximum volume is level 5. If you experience any feedback noise from your baby monitor while positioning:
- Make sure your Baby Unit and Parent Unit are more than 10 feet (3 meters) apart, **OR**
- Lower the volume of your Parent Unit.

Note:
To avoid interference from other electronic devices, place your baby monitor at least 3 feet (1 meter) away from devices such as wireless routers, microwave ovens, mobile phones and computers.

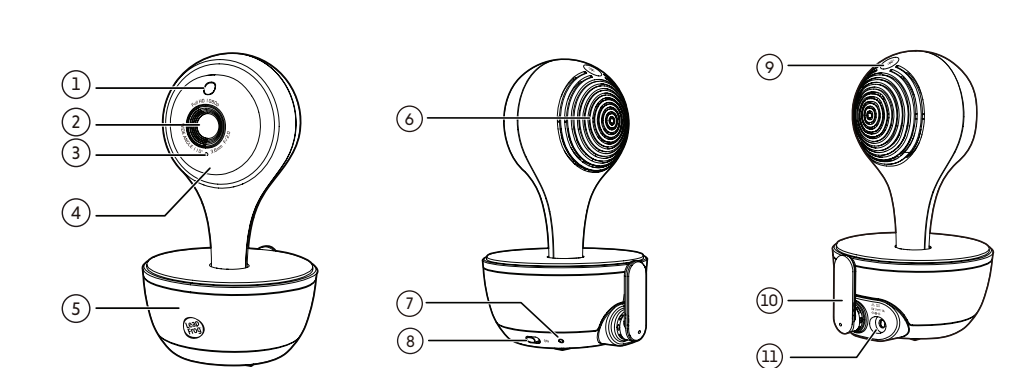
Overview

Parent Unit



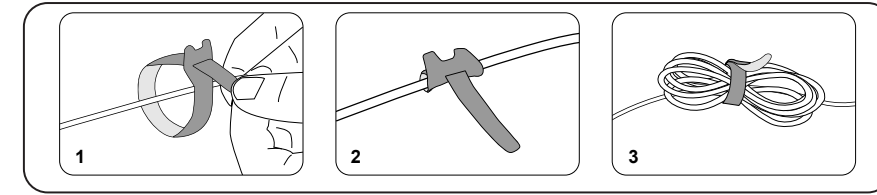
- Link LED light**
 - On when the Parent Unit is linked to the Baby Unit.
 - Flashes when the link to the Baby Unit is lost.
- Battery LED light**
- 3-level sound indicator light**
- Night Mode quick set key**
 - Select black-and-white night vision for extreme darkness or color night vision for dim environments (the use of the Baby Unit night light or other supplementary light sources is required).
 - To activate night light in color night vision, press to turn it on for 30 seconds, and press to adjust its brightness.
- Arrow Keys**
 - to adjust volume.
 - Navigate within the menus.
 - Pan and tilt the camera.
- Menu / Select**
 - Press to enter the main menu.
 - While in a menu, press to confirm a selection, or save a setting.
- Talk / Return**
 - Press and hold to talk to the Baby Unit.
 - While in a sub-menu, press to exit.
- Microphone**
- VOL Volume**
 - View the volume adjustment bar and press / to change the volume level.
- Zoom**
 - Press to zoom in/out to different levels
- Power / LCD Off**
 - Press and hold to turn on/off the power.
 - Press to turn on/off the LCD screen.
- Antenna**
- Power jack**
- RESET**
 - Force reboot the Parent Unit.
- Stand**

Baby Unit



- Light sensor**
- Camera**
- Microphone**
- Infrared LEDs**
- Night light**
- Speaker**
- POWER LED Light**
- On / Off switch**
- Night light control key**
 - Press to turn the night light on or off.
 - Tap and hold to adjust the brightness level.
- Antenna**
- Power jack**
- Wall mount holes**
- PAIR key**
 - To enter pairing mode, press and hold the **PAIR** key for three seconds until you hear a beep sound. Then follow the app instructions to connect the camera to a 2.4GHz Wi-Fi network.

Cable Management



Parent Unit Icons

Main menu	Sub menu	Options
		Monitoring mode (For LF815-2HD only) <ul style="list-style-type: none">View Baby Units in Single mode.View Baby Units in Patrol mode.View Baby Units in Split screen.
		Night light <ul style="list-style-type: none">On/Off<ul style="list-style-type: none">Select a night light color.Customized color is available if your baby monitor is paired with LeapFrog Baby Care+ app.Brightness<ul style="list-style-type: none">Adjust night light brightness.Set the brightness to Auto adaptive ambience.Timer<ul style="list-style-type: none">Set the timer to turn the night light off after 15, 30 or 60 minutes, or always on.
		Lullaby <ul style="list-style-type: none">Play/StopLibrary<ul style="list-style-type: none">Select to play all melodies, or play one of the five melodies or five soothing sounds.Volume<ul style="list-style-type: none">Adjust Baby Unit speaker volume.Timer<ul style="list-style-type: none">Set the timer to stop playing after 15, 30 or 60 minutes, or play non-stop.
		General settings <ul style="list-style-type: none">Connect to Mobile App<ul style="list-style-type: none">Instructions for adding Baby Unit to mobile app.Screen Brightness<ul style="list-style-type: none">Adjust Parent Unit screen brightness.Temperature Format<ul style="list-style-type: none">Set the temperature display format between Celsius or Fahrenheit.Screen off Timer<ul style="list-style-type: none">Turn the screen off timer OFF, or set the screen to turn off after 1, 3 or 5 minutes when no sound is detected.Select Auto to set the Sound Sensitivity level for the screen to auto turn on when a sound level is detected that is higher than the set level. The screen will turn off after 50 seconds of no sound detection.Camera Volume<ul style="list-style-type: none">Adjust Baby Unit speaker volume.Other<ul style="list-style-type: none">Time settings (available if your baby unit is paired with LeapFrog Baby Care+ app)Reset settingsSoftware update

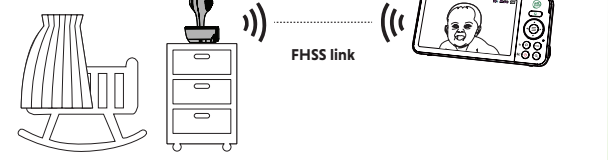
Main menu	Sub menu	Options
		Alert settings <ul style="list-style-type: none">Adjust the alert tone volume level.
		Motion Detect <ul style="list-style-type: none">Turn the motion detection alert on/off.Adjust Motion Sensitivity level for waking the Parent Unit screen.
		Temperature <ul style="list-style-type: none">Turn the temperature alert on/off.Select the temperature alert maximum and minimum temperature limits.
		Humidity <ul style="list-style-type: none">Turn the humidity alert on/off.Select the humidity alert maximum and minimum humidity limits.
		Low battery <ul style="list-style-type: none">Toggle the low battery alert on or off.
		Lost link <ul style="list-style-type: none">Toggle the lost link alert on or off.
		Help and info <ul style="list-style-type: none">Help<ul style="list-style-type: none">Support InformationHow-to Video<ul style="list-style-type: none">Support videoSystem Info<ul style="list-style-type: none">System Information

Two Ways to Connect Your Baby Monitor

TIP: To receive product firmware updates, this baby monitor requires connecting to a 2.4GHz home Wi-Fi network.

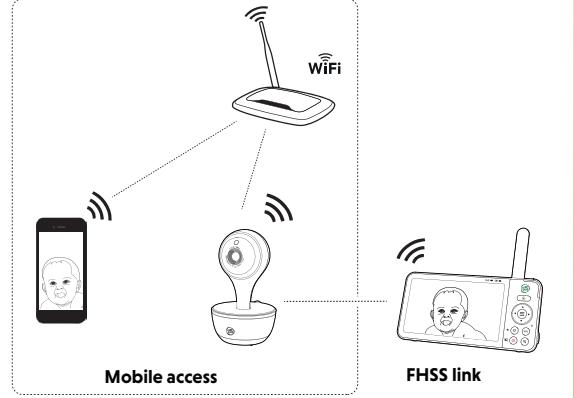
Direct mode

Your baby monitor Parent Unit and Baby Unit connect to each other in **Direct mode** by default, which allows you to immediately stream video out of the box.



Wi-Fi mode

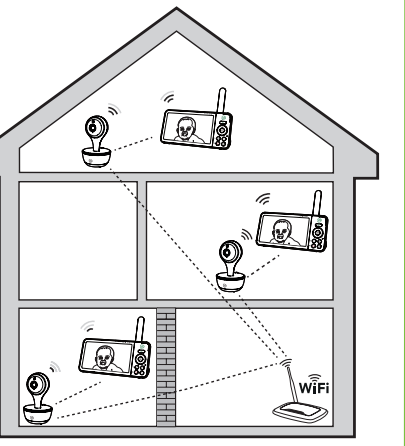
To enhance your experience and enjoy seamless live video streaming via your mobile app, and to receive product software updates (when available), we highly recommend setting up your monitor's Wi-Fi connection.



It uses your 2.4GHz home Wi-Fi network to connect your video monitor and supports live video streaming through the mobile app. To stream live video remotely with your mobile device, download and install the **LeapFrog Baby Care+** mobile app. With the mobile app, your Wi-Fi router (not included) provides internet connectivity to your HD video monitor system. It serves as a communication channel between your Baby Unit and mobile device, allowing you to monitor and/or control your Baby Unit wherever you are.

Test the Location

If you plan to install your Baby Unit in a designated location, and use your home Wi-Fi network to connect your video monitor, you need to test which of your selected monitoring areas within the house have good Wi-Fi signal strength. After you have powered on your Parent Unit, you can use your Parent Unit's **Wi-Fi signal icon(s)** to assist in checking. Once you have identified the suitable location, you can install your Baby Unit. Adjust the distance between your Baby Unit and the Wi-Fi router if needed.



- TIPS:**
- Surroundings and obstructing factors, such as large metallic objects, filing cabinets, long distances, electrical appliances and internal walls, may reduce Wi-Fi signal.

Protect Your Privacy and Online Security

LeapFrog cares about your privacy and peace of mind. That's why we've put together a list of industry-recommended best practices to help keep your wireless connection private and your devices protected when online.

Ensure your wireless connection is secure

- Before installing a device, ensure your router's wireless signal is encrypted by selecting the "WPA2-PSK with AES" setting in your router's wireless security menu.

Change default settings

- Change your wireless router's default wireless network name (SSID) to something unique.
- Change default passwords to unique, strong passwords. A strong password:
 - Is at least 10 characters long.
 - Does not contain dictionary words or personal information.
 - Contains a mix of uppercase letters, lowercase letters, special characters and numbers.

Keep your devices up to date

- Download security patches from manufacturers as soon as they become available. This will ensure you always have the latest security updates.

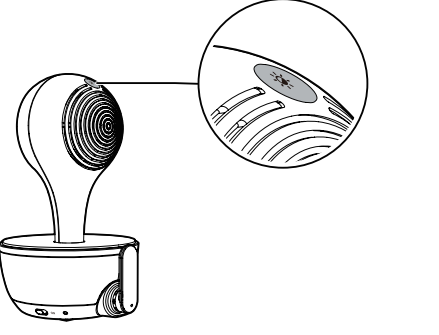
- If the feature is available, enable automatic updates for future releases.
- Disable Universal Plug and Play (UPnP) on your router
- UPnP enabled on a router can limit the effectiveness of your firewall by allowing other network devices to open inbound ports without any intervention or approval from you. A virus or other malware program could use this function to compromise security for the entire network.

Night Light

You can control the night light remotely from the **LeapFrog Baby Care+** App, or directly on the Baby Unit.

Adjust the night light on Baby Unit

- Tap the **Night light control key** located on the top of Baby Unit to turn on and turn off the night light.
- Tap and hold** (with the light turned on) the **Night light control key** to adjust the night light brightness.



NOTES:

- Turning the night light on/off will not turn off AUTO brightness mode.
- If AUTO Brightness has been pre-selected, any adjustment in night light brightness will automatically turn off AUTO Brightness mode and switch to the fixed brightness level.

The RBRC seal



The RBRC seal on the Li-ion battery indicates that Vtech Communications, Inc. is voluntarily participating in an industry program to collect and recycle these batteries at the end of their useful lives, when taken out of service within the United States and Canada. The program provides a convenient alternative to placing used Li-ion batteries into the trash or municipal waste, which may be illegal in your area. Vtech's participation makes it easy for you to drop off the spent battery at local retailers participating in the program or at authorized Vtech product service centers. Please call 1 (800) 8 BATTERY for information on Li-ion battery recycling and disposal bans/restrictions in your area. Vtech's involvement in this program is part of its commitment to protecting our environment and conserving natural resources. The RBRC Seal and 1 (800) 8 BATTERY are registered trademarks of Call2recycle, Inc.

California Energy Commission battery charging testing mode

This baby monitor meets the California Energy Commission (CEC) regulations for energy consumption. Your baby monitor is set up to comply with the energy-conserving standards right out of the box. Follow the instructions to install and charge the battery. The CEC battery charging testing mode is activated while it is powered off and charging.

Disclaimer and Limitation of Liability

LeapFrog and its suppliers assume no responsibility for any damage or loss resulting from the use of this handbook. LeapFrog and its suppliers assume no responsibility for any loss or claims by third parties that may arise through the use of this software. LeapFrog and its suppliers assume no responsibility for any damage or loss caused by deletion of data as a result of malfunction, dead battery, or repairs. Be sure to make backup copies of important data on other media to protect against data loss.

THIS DEVICE COMPLIES WITH PART 15 OF THE FCC RULES. OPERATION IS SUBJECT TO THE FOLLOWING TWO CONDITIONS: (1) THIS DEVICE MAY NOT CAUSE HARMFUL INTERFERENCE AND (2) THIS DEVICE MUST ACCEPT ANY INTERFERENCE RECEIVED, INCLUDING INTERFERENCE THAT MAY CAUSE UNDESIRABLE OPERATION. CAN ICES-3 (B)/NMB-3(B)

CAUTION: Changes or modifications not expressly approved by the party responsible for compliance could void the user's authority to operate the equipment.

Warranty: Please visit our website at leapfrog.com for full details of the warranty provided in your country.

FCC and IC regulations

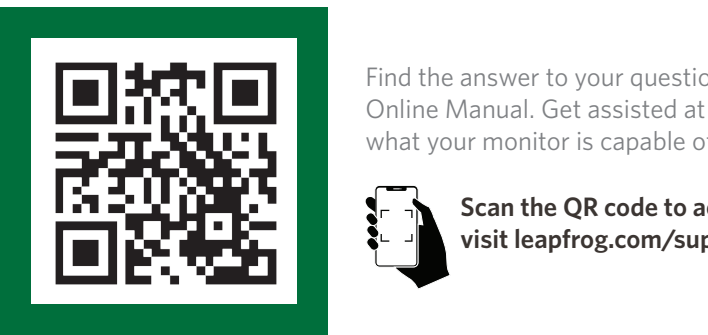
FCC Part 15
This equipment has been tested and found to comply with the requirements for a Class B digital device under Part 15 of the Federal Communications Commission (FCC) rules. These requirements are intended to provide reasonable protection against harmful interference in a residential installation. This equipment generates, uses and can radiate radio frequency energy and, if not installed and used in accordance with the instructions, may cause harmful interference to radio communications. However, there is no guarantee that interference will not occur in a particular installation. This equipment does cause harmful interference to radio or television reception, which can be determined by turning the equipment off and on, the user is encouraged to try to correct the interference by one or more of the following measures:

- Reorient or relocate the receiving antenna.
- Increase the separation between the equipment and receiver.
- Connect the equipment into an outlet on a circuit different from that to which the receiver is connected.
- Consult the dealer or an experienced radio/TV technician for help.

Lithium battery, 3.7V 5000mAh; Modèle: GSP8050D-PAH-3 3V-7V-151P

9. Lors qu'ils sont branchés dans une prise de courant, les adaptateurs secteur ont été conçus pour être orientés correctement, soit à la verticale ou au plancher. Les broches n'ont pas été conçues pour supporter le poids du bloc d'alimentation et le maintenir en place si celui-ci est branché dans une prise au plafond, sous une table ou dans un meuble. Les instructions de ce guide, son utilisation sera sécuritaire pendant de nombreuses années, selon les meilleures pratiques de sécurité. Pour assurer la sécurité de vos utilisateurs, la prise de courant doit être installée près du produit, afin d'assurer une accessibilité sécuritaire à la prise de courant.

Online Manual



Find the answer to your question on our knowledge-rich Online Manual. Get assisted at your own pace and learn what your monitor is capable of.

Scan the QR code to access the **Online Manual** or visit leapfrog.com/support

	Full Manual Comprehensive help articles on product set up, operations, Wi-Fi and settings.
	Video Tutorials Walk-throughs on features and installation such as mounting the Baby Unit on the wall.
	FAQs & Troubleshooting Answers to the most commonly asked questions, including troubleshooting solutions.

Customer Support

Visit our Consumer Support website 24 hours a day at: **United States:** leapfrog.com/support **Canada:** leapfrog.ca/support

Call our Customer Service number from Monday to Friday 9am - 6pm Central Time: **United States & Canada:** 1(800) 717-6031

Technical Specifications

Technology	Wi-Fi 2.4GHz 802.11 b/g/n
Internet Connection	Minimum Requirement: 1.5 Mbps @ 720p or 2.5 Mbps @ 1080p
LCD	5" Color LCD (IPS 1280x720 pixels)
Nominal effective range	Maximum power allowed by FCC and IC. Actual operating range may vary according to environmental conditions at the time of use.
Power requirements	Parent Unit: 3.7V 5000mAh Lithium-ion battery Baby Unit power adapter output: 5V DC @ 1A Parent Unit power adapter output: 5V DC @ 2A

Warranty

Please visit our website at leapfrog.com for full details of the warranty provided in your country.

Specifications

Android™ and Google Play™ are trademarks of Google Inc.

App Store is a trademark of Apple Inc., registered in the U.S. and other countries.

iOS is a trademark or registered trademark of Cisco in the U.S. and other countries and is used under license.

Specifications are subject to change without notice. © 2024 LeapFrog Enterprises, Inc. a subsidiary of V Tech Holdings Limited. All rights reserved. 12/24_LF815-XHD_Gen2_US_QSG_V1