

## [VTECH]

### [2.4GHz Dipole Antenna]

**Model:** LF925\_V2 BU (WIFI)

#### **Antenna description:**

This antenna is optimized and used in the Baby Unit in the baby monitor models. This antenna is directly soldered to the RF output in the main PCB.

#### **Ordering information:**

Model	Description
LF925_V2 BU	2.4GHz Dipole Antenna

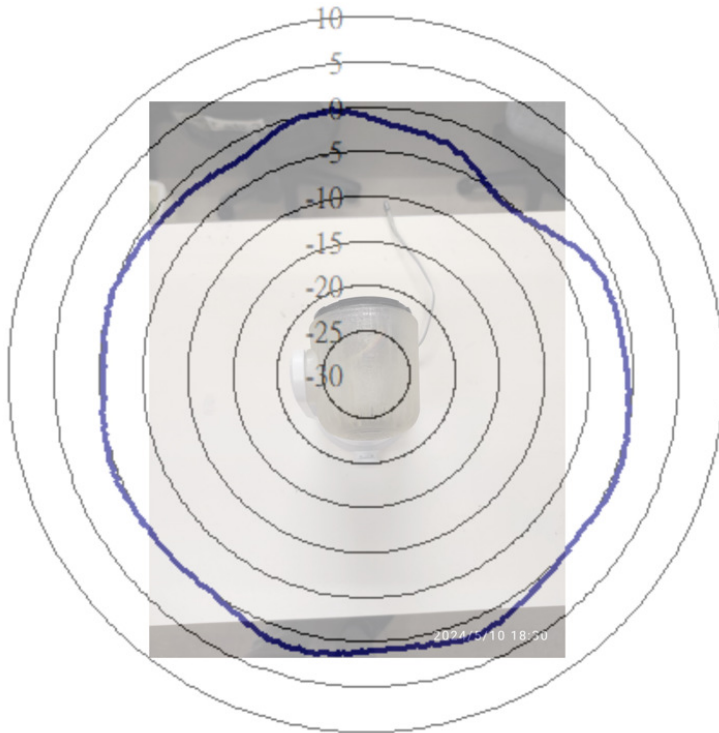
#### **Specification:**

<b>Operation Frequency Range</b>	2412-2472 MHz
<b>Maximum Gain</b>	2 dBi
<b>Type</b>	Dipole antenna
<b>Operation bandwidth</b>	60MHz
<b>Nominal Impedance</b>	~50 ohms
<b>Connectors</b>	-
<b>Dimensions</b>	42mm x15mm
<b>Manufacturer</b>	Vtech Telecommunications Ltd
<b>Manufacturer address</b>	23/F, Tai Ping Industrial Centre, Blk1, 57 Ting Kok Road, Tai Po, Hong Kong
<b>Model number</b>	ANT-LF925V2-F-WI-1

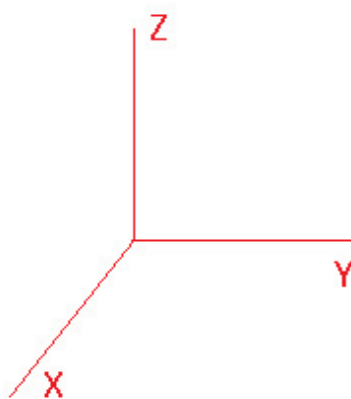
# [VTECH] [2.4GHz Dipole Antenna]

Antenna pattern (2437MHz) (the frequency with maximum gain)

XY plane (gain theta)

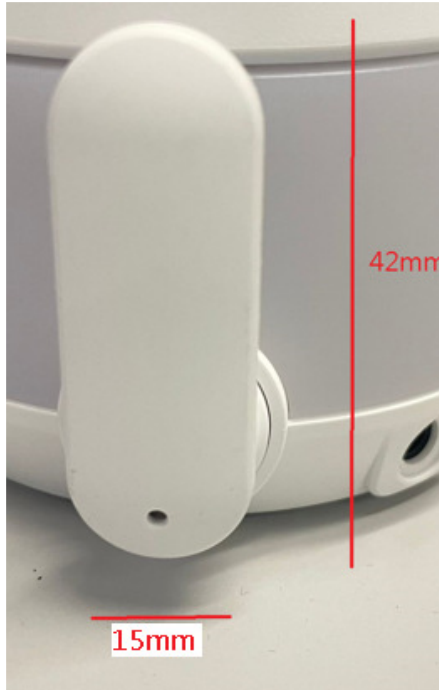


Coordination:



**[VTECH]  
[2.4GHz Dipole Antenna]**

**Physical Dimension:**



*Figure 1 Physical dimension (mm)*

## [VTECH]

### [2.4GHz Monopole Antenna]

**Model:** LF925\_V2 BU (BLE)

#### **Antenna description:**

This antenna is optimized and used in the Baby Unit in the baby monitor models. This antenna is directly soldered to the RF output in the main PCB.

#### **Ordering information:**

<b>Model</b>	<b>Description</b>
LF925_V2 BU	2.4GHz Monopole Antenna

#### **Specification:**

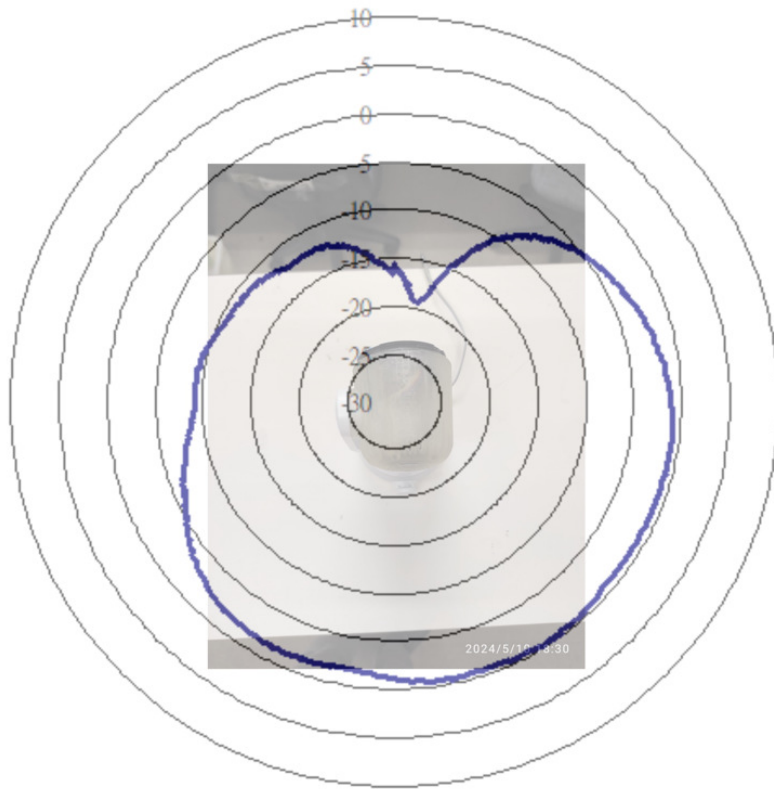
<b>Operation Frequency Range</b>	2400-2480 MHz
<b>Maximum Gain</b>	0 dBi
<b>Type</b>	Monopole
<b>Operation bandwidth</b>	80MHz
<b>Nominal Impedance</b>	~50 ohms
<b>Connectors</b>	-
<b>Dimensions</b>	Shown in figure 1
<b>Manufacturer</b>	Vtech Telecommunications Ltd
<b>Manufacturer address</b>	23/F, Tai Ping Industrial Centre, Blk1, 57 Ting Kok Road, Tai Po, Hong Kong
<b>Model number</b>	ANT-LF925V2-F-BT-1

[VTECH]

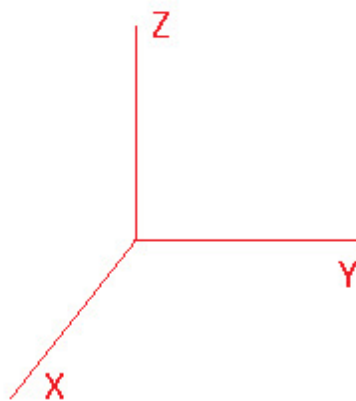
## [2.4GHz Monopole Antenna]

Antenna pattern (2440MHz) (the frequency with maximum gain)

XY plane (gain theta)



Coordination:



[VTECH]

[2.4GHz Monopole Antenna]

Physical Dimension

:

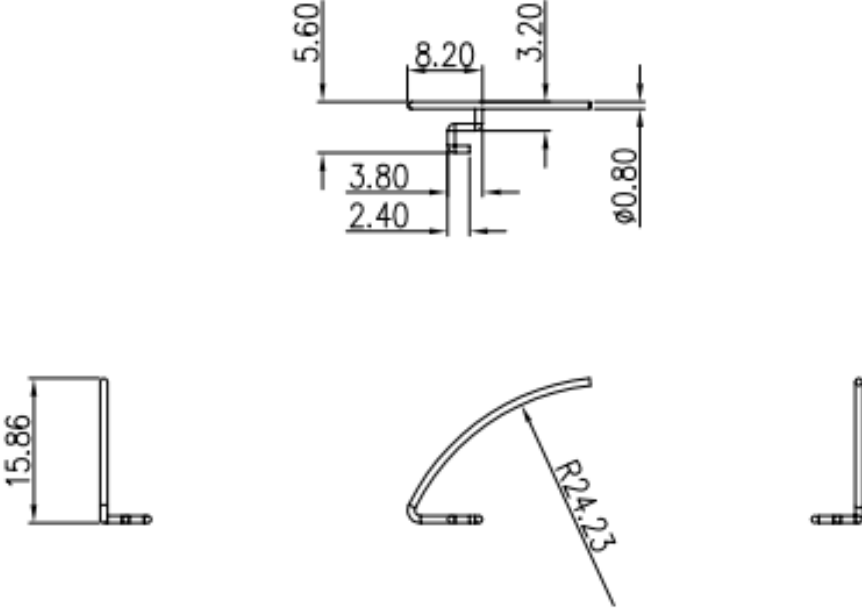


Figure 1 Physical dimension (mm)

## [VTECH]

### [2.4GHz Dipole Antenna]

**Model:** LF925\_V2 BU (FHSS)

#### **Antenna description:**

This antenna is optimized and used in the Baby Unit in the baby monitor models. This antenna is directly soldered to the RF output in the main PCB.

#### **Ordering information:**

<b>Model</b>	<b>Description</b>
LF925_V2 BU	2.4GHz FPC dipole antenna

#### **Specification:**

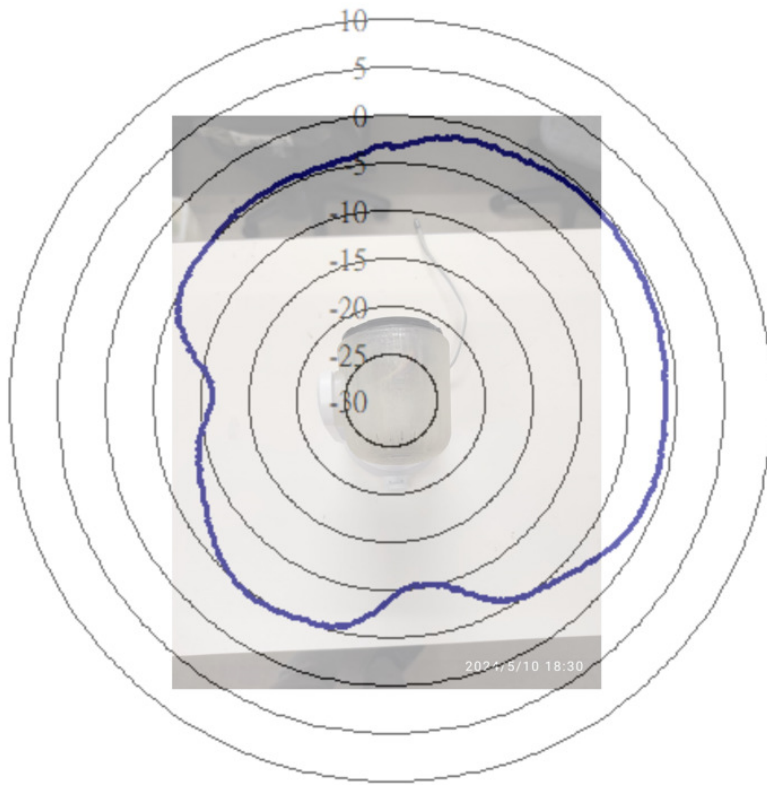
<b>Operation Frequency Range</b>	2405-2475 MHz
<b>Maximum Gain</b>	0 dBi
<b>Type</b>	FPC dipole
<b>Operation bandwidth</b>	70MHz
<b>Nominal Impedance</b>	~50 ohms
<b>Connectors</b>	-
<b>Dimensions</b>	14mm x 30mm
<b>Manufacturer</b>	Vtech Telecommunications Ltd
<b>Manufacturer address</b>	23/F, Tai Ping Industrial Centre, Blk1, 57 Ting Kok Road, Tai Po, Hong Kong
<b>Model number</b>	ANT-LF925V2-F-FH-1

[VTECH]

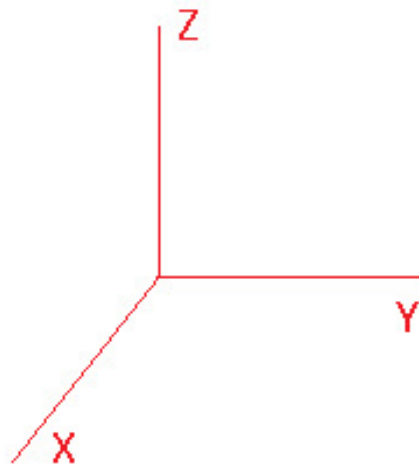
[2.4GHz Dipole Antenna]

Antenna pattern (2442MHz) (the frequency with maximum gain)

XY plane (gain theta)



Coordination:



[VTECH]  
[2.4GHz Dipole Antenna]

Physical Dimension:

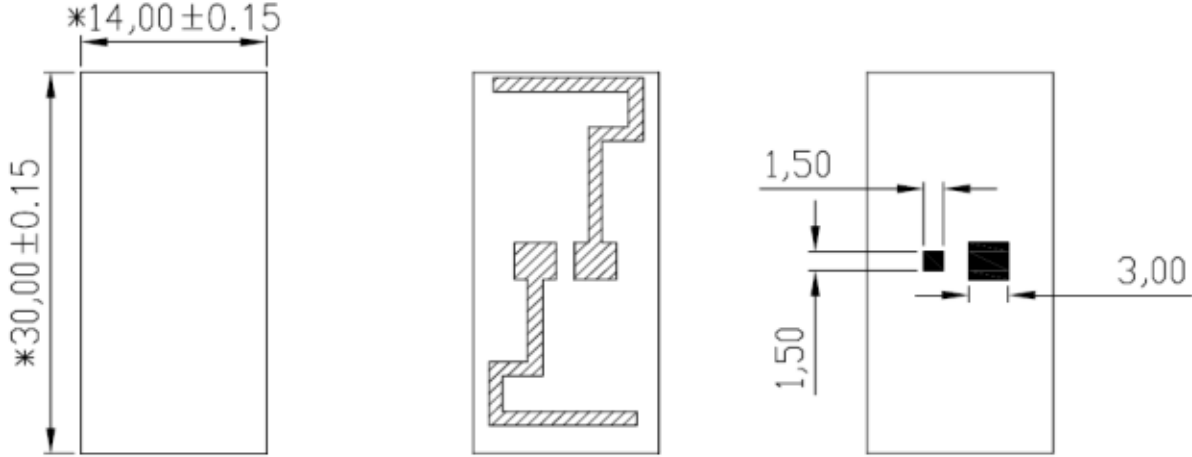


Figure 1 Physical dimension (mm)