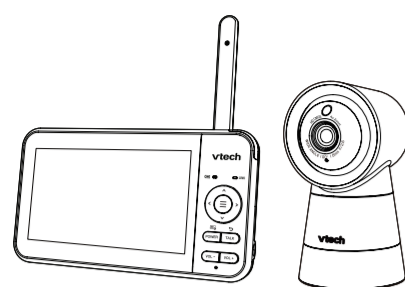


Go to www.vtechphones.com to register your product for enhanced warranty support and the latest Vtech product news.

VMS266
VMS266-2

Video Baby Monitor with Night Light



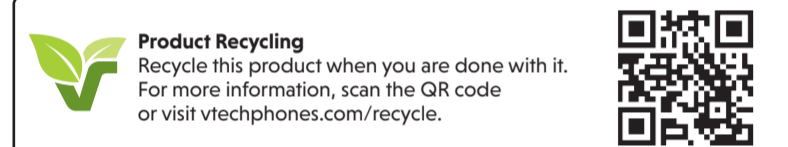
vtech
Quick start guide

For more support information



TECHNICAL SPECIFICATIONS

Frequency control	Crystal controlled PLL synthesizer
Transmit frequency	Baby unit: 2405 - 2475 MHz Parent unit: 2405 - 2475 MHz
Channels	32
LCD	5" Color LCD (WQVGA 480x272 pixels)
Nominal effective range	Maximum power allowed by FCC and IC. Actual operating range may vary according to environmental conditions at the time of use.
Power requirements	Parent unit: 3.6V, 2600mAh, 9.36Wh Li-ion battery Baby unit power adapter: Output: 5V DC @ 1A Parent unit power adapter: Output: 5V DC @ 1A



Specifications are subject to change without notice.
© 2023 Vtech Communications, Inc. All rights reserved. 09/23.
VMS266-X, GSC-US_V1.

IMPORTANT SAFETY INSTRUCTIONS

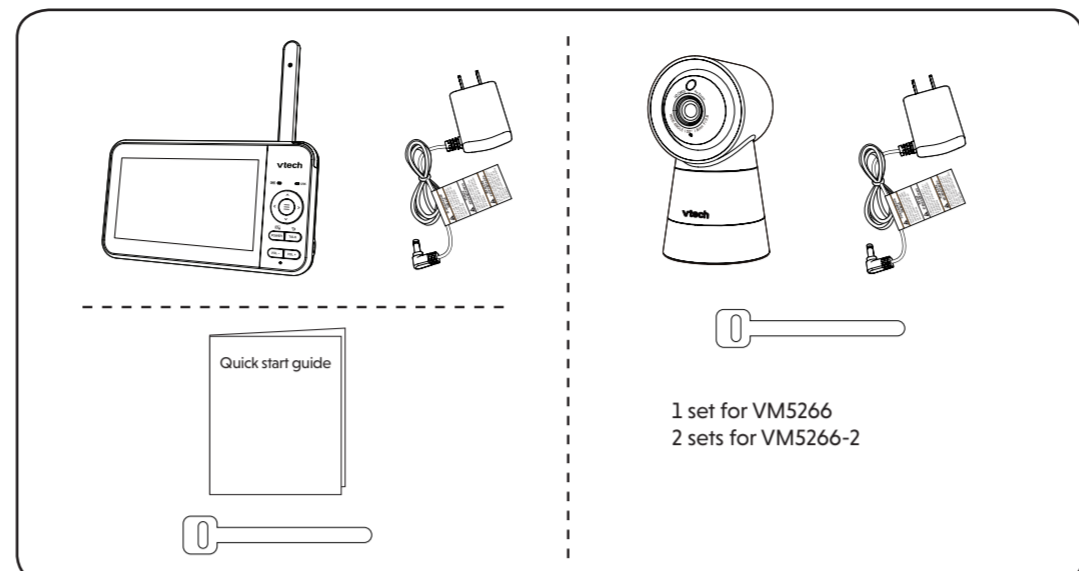
- The applied nameplate is located at the bottom of the baby unit's base.
- When using your equipment, basic safety precautions should always be followed to reduce the risk of fire, electric shock and injury, including the following:
- Follow all warnings and instructions marked on the product.
 - Adult setup is required.
 - CAUTION:** Do not install the baby unit at a height above 6.5 feet (2 meters).
 - This product is intended as an aid. It is not a substitute for responsible and proper adult supervision and should not be used as such.
 - This product is not intended for use as a medical monitor.
 - Do not use this product near water, for example, near to a bath, sink, swimming pool or shower.
 - CAUTION:** Use only the battery provided (if applicable). There may be a risk of explosion if a wrong type of battery is used for the parent unit. The battery cannot be subjected to high or low extreme temperature and low air pressure at high altitude during use, storage or transportation. Disposal of battery in fire or a hot oven, mechanically crushing or cutting the battery can result in an explosion. Leaving the battery in an extremely high temperature surrounding environment may result in an explosion or the leakage of flammable liquid or gas. Disposal of used battery according to the information in the **RBRC seal**.
 - CAUTION:** Use only the power adapter provided with this product. Incorrect power adapter polarity or voltage can seriously damage the product.
 - Power adapter information:
Output: 5V DC 1A
Vtech Telecommunications Ltd.
Model: VT05EUS05100
-OR-
Jiangxi Jian Aohai Technology Co., Ltd
Model: A318-050100W-US2
 - Rechargeable battery information:
Zhuhai Great Power Energy Co., Ltd.
Li-ion battery, 3.6V, 2600mAh, 9.36Wh;
Model: ICR18650-2.6Ah-3.6V-153P
 - The power adapter is intended to be correctly oriented in a vertical or floor mount position. The prongs are not designed to hold the plug in place if it is plugged into a ceiling, under-the-table or cabinet outlet.
 - For pluggable equipment, the socket-outlet (power adapter) should be installed near the equipment and should be easily accessible.
 - Unplug this product from the wall outlet before cleaning. Do not use liquid or aerosol cleaners. Use a damp cloth for cleaning.
 - Do not modify the power adapters or replace with other adapters, as this causes a hazardous situation.
 - Do not allow anything to rest on the power cords. Do not install this product where the cords may be walked on or crimped.
 - This product should be operated only from the type of power source indicated on the marking label. If you are not sure of the type of power supply in your home, consult your dealer or electricity supply provider.
 - Do not overload wall outlets or use an extension cord.
 - Do not place this product on an unstable table, shelf, stand or other unstable surfaces.
 - This product should not be placed in any area where proper ventilation is not provided. Slots and openings in the back or bottom of this product are provided for ventilation. To protect them from overheating, these openings must not be blocked by placing the product on a soft surface such as a bed, sofa or rug. This product should never be placed near or over a radiator or heat source.
 - Never push objects of any kind into this product through the slots because they may touch dangerous voltage points or create a short circuit. Never spill liquid of any kind on the product.
20. To reduce the risk of electric shock, do not disassemble this product, but take it to an authorized service facility. Disassembling or removing parts of the product other than via the battery door (if applicable) may expose you to dangerous voltages or other risks. Incorrect reassembly can cause electric shock when the product is subsequently used.
21. You should test the sound reception every time you turn on the units or move one of the components.
22. Periodically examine all components for damage.
23. There is a very low risk of privacy loss when using certain electronic devices, such as baby monitors, cordless telephones, etc. To protect your privacy, make sure the product has never been used before purchase, reset the baby monitor periodically by powering off and then powering on the units, and power off the baby monitor if you are not intending to use it for some time.
24. Children should be supervised to ensure that they do not play with the product.
25. The small parts of this monitor can be swallowed by babies or small children. Keep these parts out of reach of children.
26. The product is not intended for use by persons (including children) with reduced physical, sensory or mental capabilities, or lack of experience and knowledge, unless they have been given supervision or instruction concerning use of the appliance by a person responsible for their safety.

SAVE THESE INSTRUCTIONS

- Cautions**
- Use and store the product at a temperature between 32°F (0°C) and 104°F (40°C).
 - Mishandling batteries can cause burn, fire or explosion hazards.
 - Batteries should not be exposed to excessive heat such as bright sunshine or fire.
 - Do not expose the product to extreme cold, heat or direct sunlight. Do not put the product close to a heating source.
 - Warning—Strangulation Hazard—Children have STRANGLED in cords. Keep this cord out of the reach of children (more than 3 ft (0.9m) away). Do not remove warning label on the adapter cord.
 - Never place the camera unit(s) inside the baby's crib or playpen. Never cover the camera unit(s) or parent unit with anything such as a towel or a blanket.
 - Other electronic products may cause interference with your camera unit. Try installing your camera unit as far away from these electronic devices as possible: wireless routers, radios, cellular telephones, intercoms, room monitors, televisions, personal computers, kitchen appliances and cordless telephones.

- Precautions for users of implanted cardiac pacemakers**
Cardiac pacemakers (applies only to digital cordless devices): Wireless Technology Research, LLC (WTR), an independent research entity, led a multidisciplinary evaluation of the interference between portable wireless devices and implanted cardiac pacemakers. Supported by the U.S. Food and Drug Administration, WTR recommends to physicians that:
- Pacemaker patients**
- Should keep wireless devices at least six inches from the pacemaker, such as in a breast pocket, when it is turned ON. WTR's evaluation did not identify any risk to bystanders with pacemakers from other persons using wireless devices.
 - Should NOT place wireless devices directly over the pacemaker, such as in a breast pocket, when it is turned ON.
- Electromagnetic fields (EMF)**
This Vtech product complies with all standards regarding electromagnetic fields (EMF). If handled properly and according to the instructions in this user's manual, the product is safe to be used based on scientific evidence available today.

WHAT'S IN THE BOX



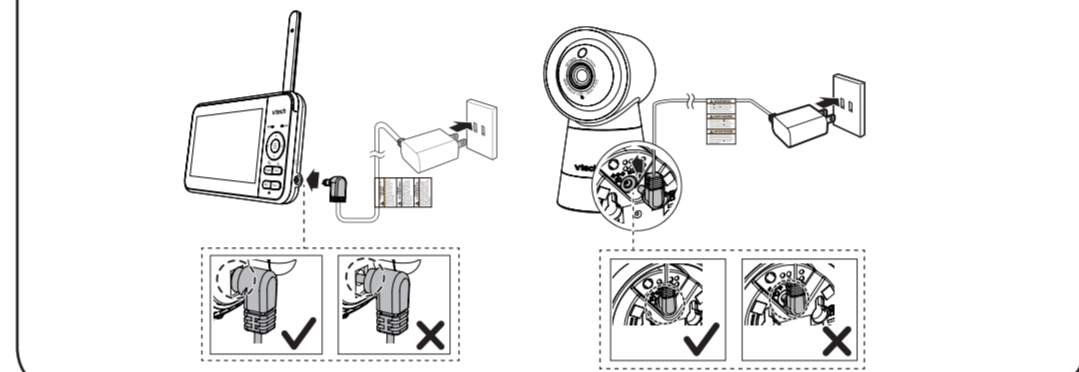
1 set for VMS266
2 sets for VMS266-2

1 CONNECT THE BABY MONITOR

The parent unit turns on automatically after connecting the power adapter to the power socket and the battery LED light illuminates for a few seconds, then turns off.

NOTES

- The rechargeable battery in the parent unit is built-in.
- Use only the power adapters supplied with this product.
- Make sure the parent unit and the baby unit are not connected to an electronically controlled electric power outlet.
- Connect the power adapters in a vertical or floor mount position only. The adapters' prongs are not designed to hold the weight of baby monitor, so do not connect them to any ceiling, under-the-table, or cabinet outlets. Otherwise, the adapters may not properly connect to the outlets.
- Make sure the parent unit, the baby units and the power adapter cords are out of reach of children.



1 CONNECT THE BABY MONITOR (CONT'D)

Charge the parent unit battery
When you have connected and turned the parent unit on, the battery charges automatically.

NOTES

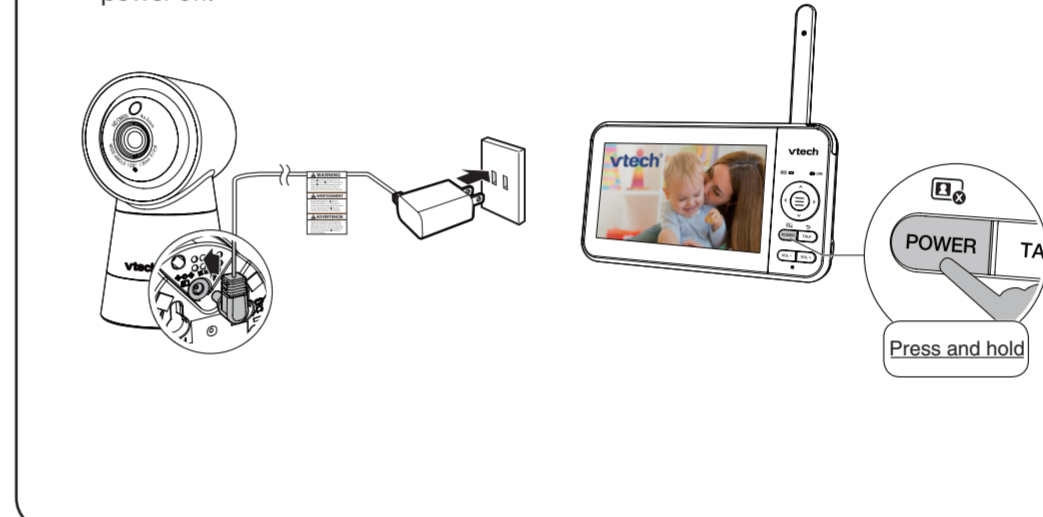
- Before using the baby monitor for the first time, charge the parent unit battery for 12 hours. When the parent unit battery is fully charged, the battery icon segments are solid.
- It takes longer to charge the battery when the parent unit is turned on. To shorten the charging time, turn the parent unit off while charging.
- The standby time varies depending on the sensitivity level you set, your actual use and the age of the battery.

The battery icon indicates the battery status (see the following table).

BATTERY INDICATORS	BATTERY STATUS	ACTION
The screen displays . The light flashes.	The battery has very little power and can only be used for a short time.	Charge without interruption (about 30 minutes).
The battery icon segments are solid .	The battery is fully charged.	To keep the battery charged, connect the unit to AC power when in use.

2 POWER ON OR OFF THE BABY MONITOR

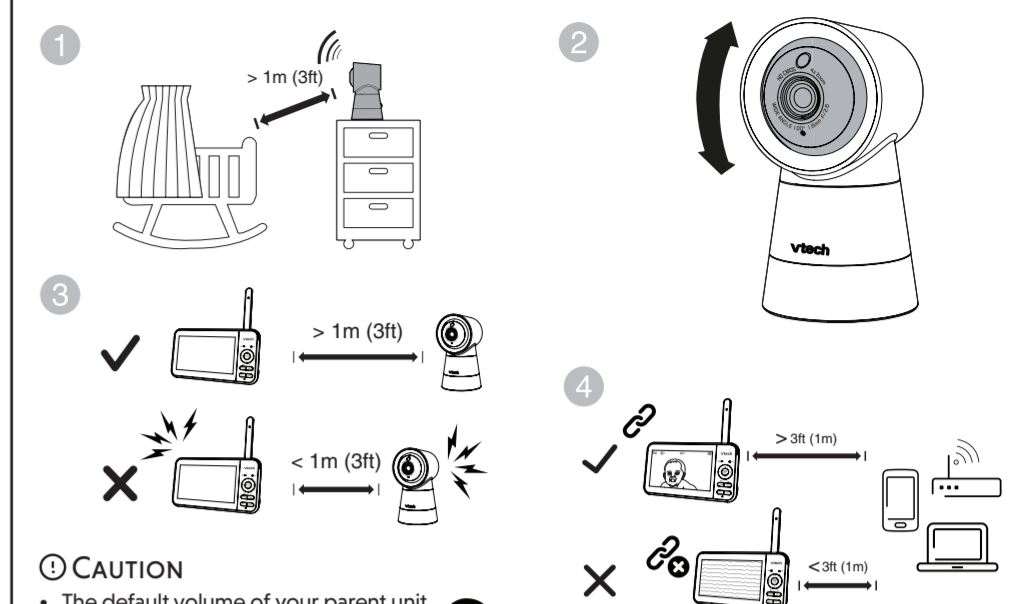
- Baby unit turns on automatically after it connects to the power socket. Disconnect from the power supply to power off.
- Press and hold **POWER** to power on or off your parent unit.



3 POSITIONING THE BABY MONITOR

CAUTION

- Keep the baby unit out of the reach of your baby. Never place or mount the baby unit inside the baby's crib or playpen.



CAUTION

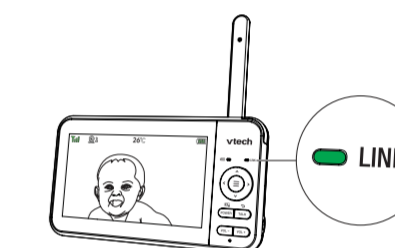
- The default volume of your parent unit is level 4, and the maximum volume is level 7. If you experience feedback noise from your baby monitor while positioning:
 - Make sure your baby unit and parent unit are more than 3 feet (1 meter) apart, OR
 - Turn down the volume of your parent unit.

NOTE

- To avoid interference from other electronic devices, place your baby monitor at least 3 feet (1 meter) away from devices such as wireless routers, microwaves, mobile phones and computers.

4 STATUS CHECK

Once you power on both your baby unit and parent unit, your parent unit displays image from the baby unit, and the **LINK** LED light turns on.



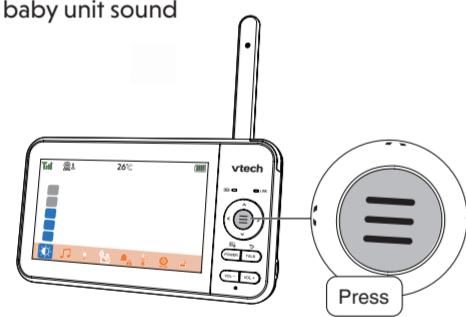
BASIC OPERATION - PARENT UNIT

Use the menu

Press to enter the menu, choose a menu item, or save a setting. You can use the parent unit for advanced settings or operations, such as to play or stop the baby unit lullaby, or to adjust the baby unit sound sensitivity.

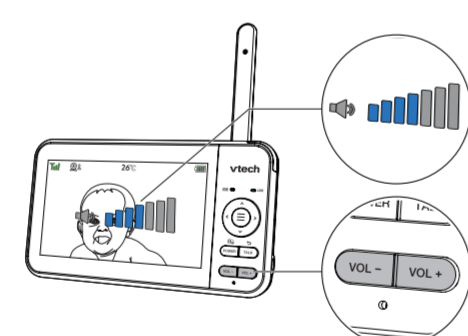
While in the menu:

- Press or to scroll among the menu options.
- Press to select an item, or to save a setting.
- Press or to scroll among the sub-menus, or to adjust a setting.
- Press to return to the previous menu options without changing the current setting.
- Press to return to live video.



Adjust parent unit volume

Press **VOL - / VOL +** to adjust your parent unit speaker volume.

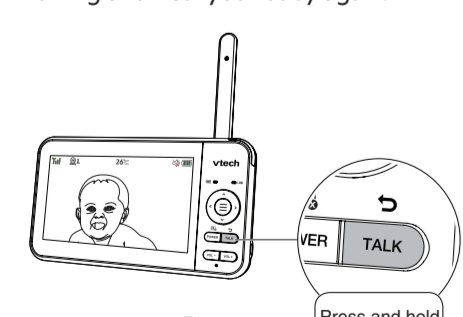


Zoom

- Press to enter the menu.
- Press or to select , then press to confirm.
- Press or to choose either , or , depending on how many times you want to zoom in, then press to confirm.

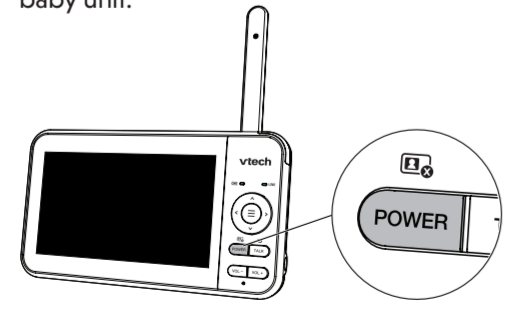
Talk to your baby unit

Press and hold **TALK** and speak to your parent unit. Your voice is transmitted to the baby unit. Release **TALK** when finished talking and hear your baby again.



Turn off the screen

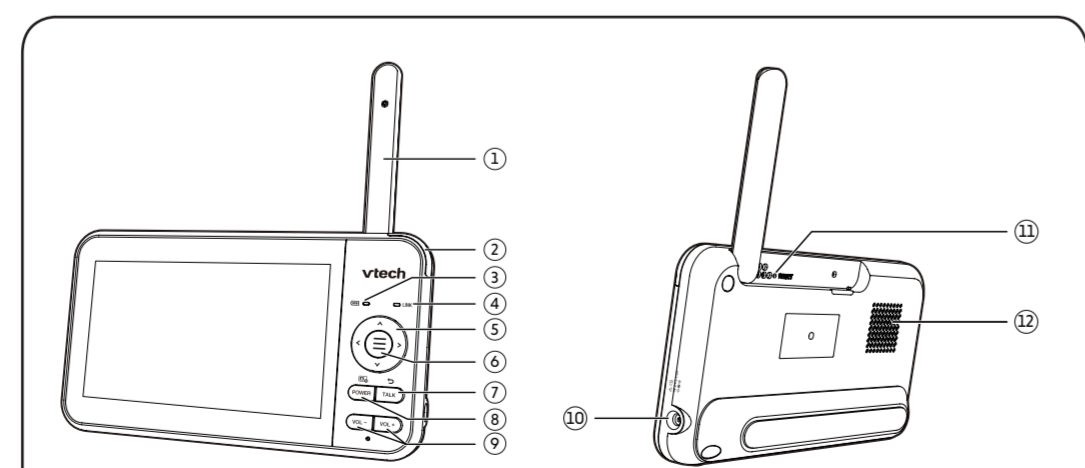
Press to turn off the parent unit screen without powering off the parent unit. You will still hear sounds from the baby unit.



TIP

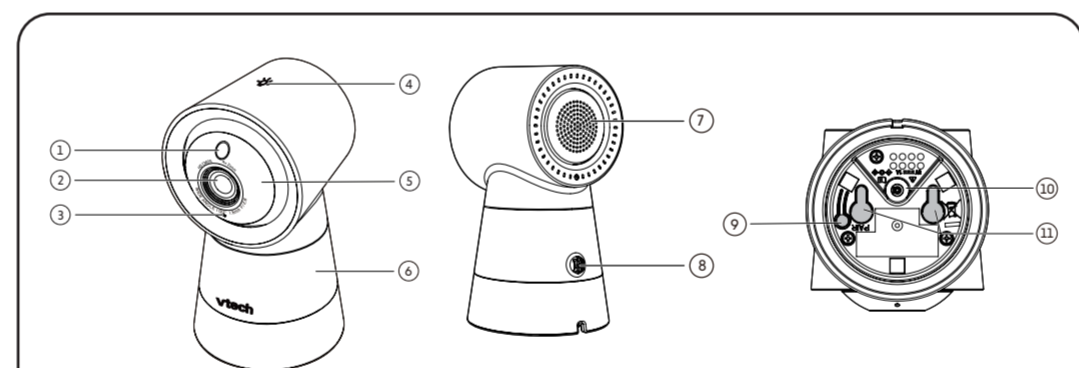
- Press any key on the parent unit to turn the screen on again.

OVERVIEW - PARENT UNIT



- Antenna
- 3-level sound indicator light
- Battery LED light
- LINK LED light
- Arrow keys
- MENU /SELECT
- RETURN/TALK
- LCD off/POWER key
- VOL - / VOL +
- Power jack
- RESET
- Speaker

OVERVIEW - BABY UNIT



- Light sensor
- Camera lens
- Microphone
- Night Light Control Key
 - Tap to turn the night light on or off.
- Infrared LEDs
 - Allow you to see clearly in a dark environment.
- Night light
- Speaker
- Temperature sensor
- PAIR/RESET key
 - The parent unit and baby unit(s) provided are already paired.
- Power jack
- Slots for wall mounting

NEED HELP?

For operations and guides to help you use your video monitor, and for the latest information and support, check out our online help topics and online FAQs.

Use your smartphone or mobile device to access our online help.

- Go to <https://help.vtechphones.com/vms266> or <https://help.vtechphones.com/vms266-2>; OR
- Scan the QR code on the right. Launch the camera app or QR code scanner app on your smartphone or tablet. Hold the device's camera up to the QR code and frame it. Tap the notification to be redirected to the online help page.
 - If the QR code is not clearly displayed, adjust your camera's focus by moving your device closer or further away until it is clear.

You can also call our Customer Support at 1 (800) 595-9511 [in US] or 1 (800) 267-7377 [in Canada] for help.



PARENT UNIT ICONS

Main menu icons

Main menu	Sub-menu
	Adjust the parent unit's LCD brightness.
	Play/Stop lullaby ≈ 1 ≈ 2 ≈ 3 ≈ 4 Select one of the soothing sounds. 1 2 3 4 5 Select one of the five melodies. Play all melodies. 60min 45min 30min 15min OFF Set timer to stop playing the selected melody or soothing sound.
	ON/OFF Turn on/off night light Select one of the night light colors. Change to all seven colors in cycle. 60min 30min 15min Set a timer to turn the night light off. OFF Set the night light to be always on.

Main menu	Sub-menu
	ON/OFF Turn on/off the adaptive night light feature. When this feature is on, the baby unit detects the ambient light. If the room is bright, the night light adjusts itself to be brighter; if the room is dim, the night light adjusts itself to be dimmer.
	OFF 5min 30min 60min Screen off Timer The parent unit screen will turn off after the selected time to save energy. You can still hear your baby while the screen is turned off.
	AUTO Sound Sensitivity When AUTO is selected, the parent unit screen will automatically turn on when detected sounds exceed a set level. You can adjust the baby unit microphone sensitivity level so that the higher the sensitivity level, the more sensitive the baby unit is in detecting sounds for transmitting to the parent unit. For details, see the Sound sensitivity and sound activation section.

Main menu	Sub-menu
	Temperature ON/OFF Turn on/off temperature alert tone. Set the parent unit to beep whenever the room temperature detected by the baby unit falls outside of the set temperature range. Set the minimum temperature. Set the maximum temperature. Set temperature display in Fahrenheit (°F) or Celsius (°C).
	Baby Unit Settings Baby unit speaker volume Adjust the baby unit's speaker volume. Zoom in.

Monitoring Mode (For pairing with VMS266-2 only)

- Single CAM mode**
The screen displays images only from the selected baby unit in full screen.
- Split mode**
The screen displays images from all the paired baby units at the same time in split view.
- Patrol mode**
The screen displays a single cam view that transitions to a different baby unit every 10 seconds.

Alert Tone Settings

- Set the parent unit to beep when the battery is low.
- Set the parent unit to beep when the link between the parent unit and the baby unit is lost.
- Set the confirmation tone on or off when selecting an option in the menus.
- Set the parent unit to beep when the baby unit detects sounds while in Split mode (For pairing with VMS266-2 only).