

[VTECH]

[2.4GHz Dipole Antenna]

**Model: VM928HD BU**

**Antenna description:**

This dipole antenna is optimized and used in the Baby unit in the baby monitor models. This antenna is directly soldered to the RF output in the main PCB.

**Ordering information:**

Model number	Description
VM928HD BU	2.4GHz Dipole Antenna

**Specification:**

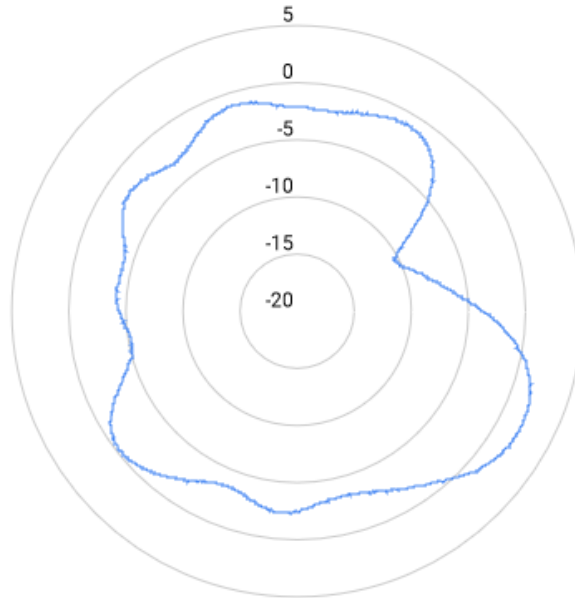
<b>Operation Frequency Range</b>	2405-2475 MHz
<b>Maximum Gain</b>	2 dBi
<b>Type</b>	Dipole
<b>Operation bandwidth</b>	70MHz
<b>Nominal Impedance</b>	~50 ohms
<b>Connectors</b>	-
<b>Dimensions</b>	91.1x Ø10.1mm
<b>Manufacturer</b>	Vtech Telecommunications Ltd
<b>Manufacturer address</b>	23/F, Tai Ping Industrial Centre, Blk 1, 57 Ting Kok Road, Tai Po, Hong Kong
<b>Model number</b>	ANT-VM928HD-F-FH-1

[VTECH]

[2.4GHz Dipole Antenna]

Antenna pattern (2436MHz) (the frequency with maximum gain)

XY plane (gain theta)



Coordination:



[VTECH]

[2.4GHz Dipole Antenna]

Physical Dimension:

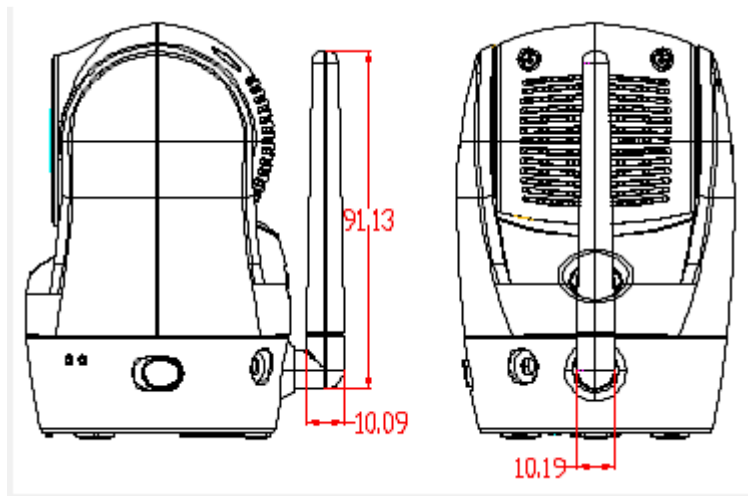


Figure 1 Physical dimension (mm)