

Go to [www.vtechbabycare.com](http://www.vtechbabycare.com) to register your product for enhanced warranty support and the latest VTech product news.

## VM928HD VM928-2HD Full Color Pan and Tilt HD Video Monitor



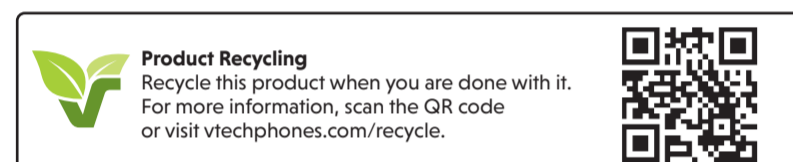
For more support information

## vttech® Quick start guide



### TECHNICAL SPECIFICATIONS

Frequency control	Crystal controlled PLL synthesizer
Transmit frequency	Baby unit: 2.405-2.475GHz
Channels	32
LCD	5" Color LCD (IPS 1280x720 pixels)
Nominal effective range	Maximum power allowed by FCC and IC. Actual operating range may vary according to environmental conditions at the time of use.
Power requirements	Parent unit: 3.7V 5000mAh, 18.5Wh Lithium-ion battery Baby unit power adapter: Output: 5V DC @ 1A Parent unit power adapter: Output: 5V DC @ 2A



Specifications are subject to change without notice.  
© 2024 VTech Communications, Inc. All rights reserved.  
09/24\_VM928-XHD\_QSG\_V4

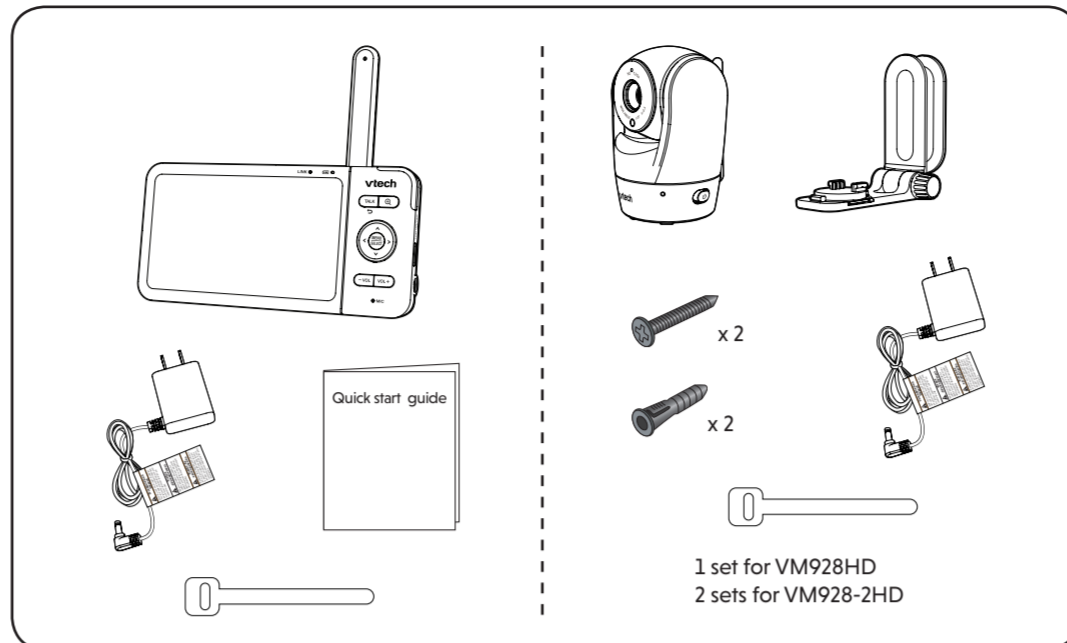
### IMPORTANT SAFETY INSTRUCTIONS

- Follow all warnings and instructions marked on the product.
- Adult setup is required.
- CAUTION:** Do not install the baby unit at a height above 6.5 feet (2 meters).
- This product is intended as an aid. It is not a substitute for responsible and proper adult supervision and should not be used as such.
- This product is not intended for use as a medical monitor.
- Do not use this product near water, for example, near to a bath, sink, swimming pool or shower.
- CAUTION:** Use only the internal, non-user replaceable battery fitted to the parent unit. There may be a risk of explosion if a wrong type of battery is used for the parent unit. The battery cannot be subjected to high or low extreme temperature and low air pressure at high altitude during use, storage or transportation. Disposal of batteries in fire or a hot oven, mechanically crushing or cutting the battery can result in an explosion. Subjecting products or batteries to an extremely high temperature environment can result in explosion or leakage of flammable liquids, or gas. Products or batteries subjected to extremely low air pressures may result in explosion or leakage of flammable liquids, or gas. Dispose of used batteries according to the information in the **RBC** seal.
- Use only the power adapters supplied with this product. Incorrect power adapter polarity or voltage can seriously damage the product.
- Power adapter information:**  
Baby Unit Output: 5V DC 1A  
VTech Telecommunications Ltd.  
Model: VT05EU05100  
-OR-  
Jiangxi Jian Aohai Technology Co., Ltd.  
Model: A338-050100W-U52  
VTech Telecommunications Ltd.  
Parent Unit Output: 5V DC 2A  
VTech Telecommunications Ltd.  
Model: VT07EU05200  
-OR-  
Jiangxi Jian Aohai Technology Co., Ltd.  
Model: A938-050200W-U51
- Rechargeable battery information:**  
3.7V 5000mAh, 18.5Wh Lithium-ion Battery  
Zhuohai Great Power Energy Co., Ltd.  
Model: GSP80690-5Ah-3.7V-1S1P
- The power adapter is intended to be correctly oriented in a vertical or floor mount position. The prongs are not designed to hold the plug in place if it is plugged into a ceiling, under-the-table or cabinet outlet.
- For pluggable equipment, the socket-outlet (power adapter) should be installed near the equipment and should be easily accessible.
- Do not modify this product from the wall outlet before cleaning. Do not use liquid or aerosol cleaners. Use a damp cloth for cleaning.
- Do not modify the power adaptors or replace with other third-party adaptors.
- Do not allow anything to rest on the power cords. Do not install this product where the cords may be walked on or damaged.
- The product should only be operated from a power source indicated on the power adaptor label or marking. If you are unsure of the type of power supply in your home, consult your dealer or electricity supply provider.
- Do not overload wall outlets or use an extension cord.
- Do not place this product on an unstable table, shelf, stand or other unstable surfaces.
- This product should not be placed in any area where proper ventilation is not provided. Any slots or openings in the back or bottom of this product are provided for ventilation. To protect from overheating, openings must not be blocked by placing the product on a soft surface such as a bed, sofa or rug. This product should never be placed near or over a radiator or heat source.
- Never insert any objects through any apertures or slots in the product as this can be dangerous and cause damage to the battery or other internal parts. Never spill any liquids on the product.
- To reduce the risk of electric shock, do not disassemble this product, but take it to an authorized service facility. Disassembling or removing parts of the product other than battery replacement via a battery door (if applicable) may expose dangerous voltages or other risks.
- You should test the sound reception every time you turn on the units or move one of the components.
- Periodically examine all components for damage.
- There is a very low risk of privacy loss when using certain electronic devices, such as baby monitors, cordless telephones, etc. To protect your privacy, make sure the product has never been used before purchase, reset the baby monitor periodically by powering off and then powering on the units, and power off the baby monitor if you are not intending to use it for some time.
- Children should be supervised to ensure that they do not play with the product.
- The small parts of this monitor can be swallowed by babies or small children. Keep these parts out of reach of children.
- The product is not intended for use by persons (including children) with reduced physical, sensory or mental capabilities, or lack of experience and knowledge, unless they have been given supervision or instruction concerning use of the appliance by a person responsible for their safety.

#### SAVE THESE INSTRUCTIONS

- Warnings**
- Use and store the product at a temperature between 32°F (0°C) and 104°F (40°C).
  - Mishandling batteries can cause burn, fire or explosion hazards. Batteries should not be exposed to excessive heat such as bright sunshine or fire.
  - Do not expose the product to extreme cold, heat or direct sunlight. Do not place the product close to a heating source.
  - Warning—Strangulation Hazard—Children have STRANGLED in cords. Keep this cord out of the reach of children (more than 3 ft (0.9m) away). Do not remove warning label on this adapter cord.**
  - Never place the camera unit(s) inside the baby's crib or playpen. Never cover the camera unit(s) or parent unit with anything such as a towel or a blanket.
  - Other electronic products can cause interference to your parent unit and baby unit. Try installing your baby unit as far away as possible from the following electronic devices: wireless routers, radios, mobile telephones, intercoms, room monitors, televisions, personal computers, kitchen appliances (e.g. microwave ovens) and cordless telephones.
- Precautions for users of implanted cardiac pacemakers**  
Cardiac pacemakers (applies only to digital cordless devices):  
Wireless Technology Research, LLC (WTR), an independent research entity, led a multidisciplinary evaluation of the interference between portable wireless devices and implanted cardiac pacemakers. Supported by the U.S. Food and Drug Administration, WTR recommends to physicians that:
- Pacemaker patients**
    - Should keep wireless devices at least six inches from the pacemaker.
    - Should NOT place wireless devices directly over the pacemaker, such as in a breast pocket, when it is turned ON.
  - WTR's evaluation did not identify any risk to bystanders with pacemakers from other persons using wireless devices.
- Electromagnetic fields (EMF)**  
This VTech product complies with all standards regarding electromagnetic fields (EMF), if handled properly and according to the instructions in this user's manual. The product is safe to be used based on scientific evidence available today.

### WHAT'S IN THE BOX



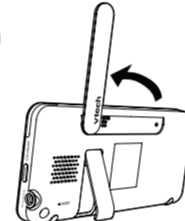
1 set for VM928HD  
2 sets for VM928-2HD

### 1 CONNECT THE BABY MONITOR

#### NOTES

- The rechargeable battery in the parent unit is built-in.
- Use only the power adapters supplied with this product.
- Make sure the parent unit and the baby unit are not connected to the switch controlled electric outlets.
- Connect the power adapters in a vertical or floor mount position only. The adapters' prongs are not designed to hold the weight of the parent unit and the baby unit, so do not connect them to any ceiling, under-the-table, or cabinet outlets. Otherwise, the adapters may not properly connect to the outlets.
- Make sure the parent unit, the baby unit and the power adapter cords are out of reach of children.
- To maintain compliance with the FCC's RF exposure guidelines, place the baby unit at least 20cm from nearby persons.

Raise the parent unit antenna for better reception



### 1 CONNECT THE BABY MONITOR (CONT'D)

#### Charge the parent unit battery before use

When you have connected and turned on the parent unit, the battery will be charged automatically.

#### NOTES

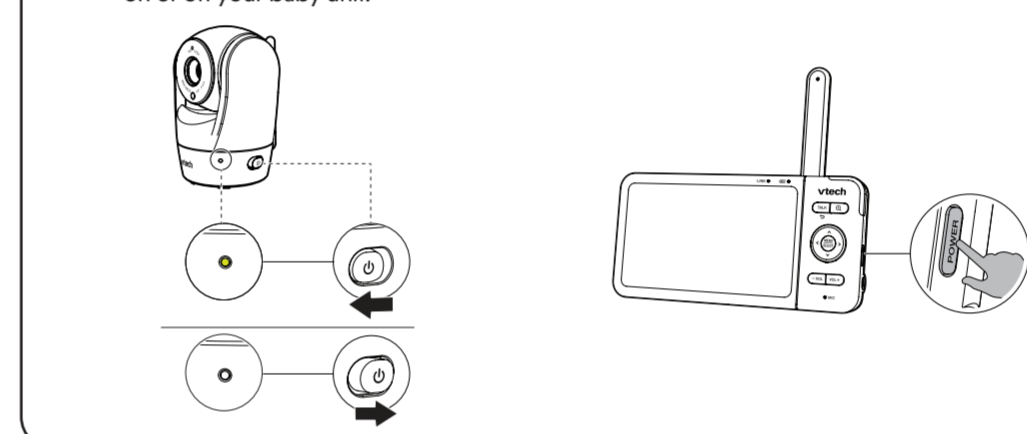
- Before using the baby monitor for the first time, charge the parent unit battery for 12 hours. When the parent unit battery is fully charged, the battery icon becomes solid.
- It takes longer to charge the battery when the parent unit is turned on. To shorten the charging time, turn the parent unit off while charging.
- The standby time varies depending on the sensitivity level you set, your actual use and the age of the battery.

The battery icon indicates the battery status (see the following table).

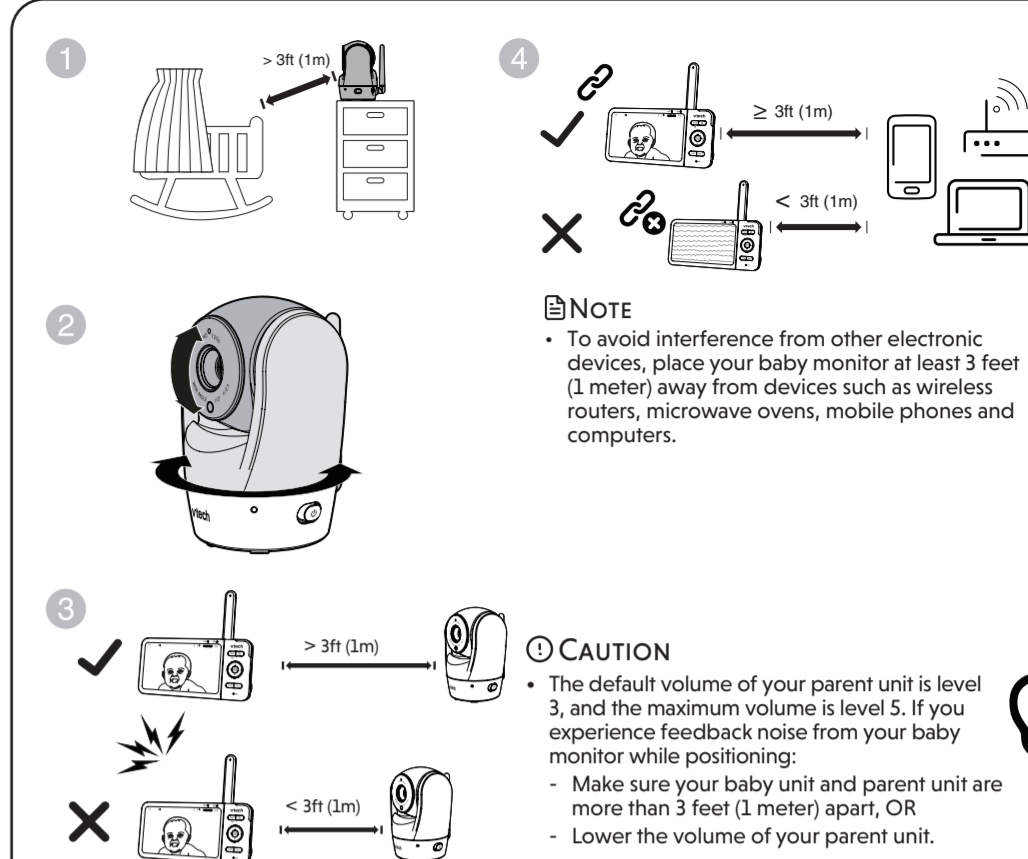
BATTERY INDICATORS	BATTERY STATUS	ACTION
The screen displays  and . The  light flashes.	The battery has very little charge and may be used for only a short time.	Charge without interruption (about 30 minutes).
The battery icon becomes solid .	The battery is fully charged.	To keep the battery charged, connect it to AC power when in use.

### 2 POWER ON OR OFF THE BABY MONITOR

- Slide the power switch to power on or off your baby unit.
- Press and hold **POWER** to turn it on or off.



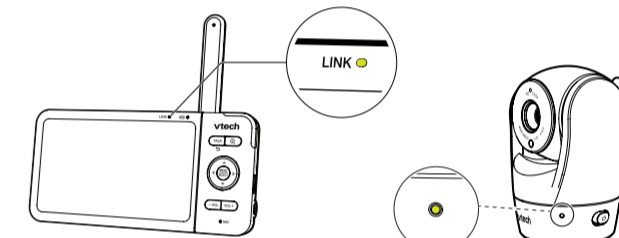
### 3 POSITIONING THE BABY MONITOR



### 4 STATUS CHECK

Once you power on both your baby unit and parent unit, your parent unit displays image from the baby unit, and the **LINK LED** light turns on.

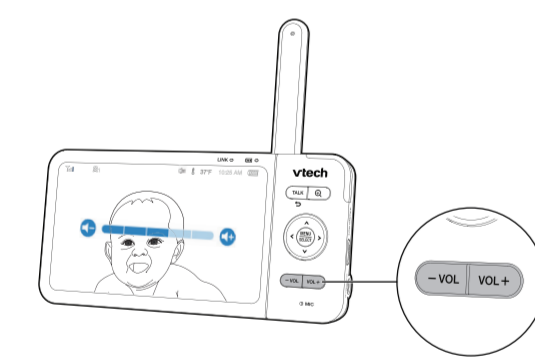
The green LED light of the baby unit turns on.



### BASIC OPERATION - PARENT UNIT

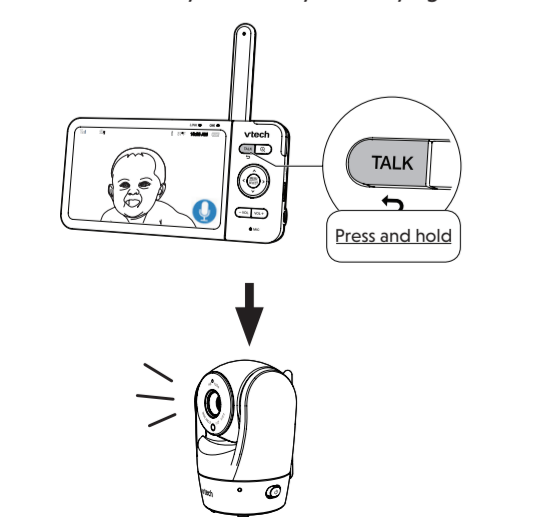
#### Adjust speaker volume

Press **-VOL/VOL+** to adjust your parent unit speaker volume. It determines the volume of sound transmitted from your baby unit.



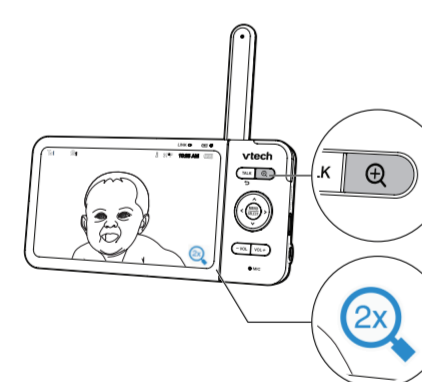
#### Talk to your baby via the baby unit

- Press and hold the **TALK** key.
- When the icon displays on screen, speak to your parent unit. Your voice is transmitted to the baby unit.
- When finish talking, release the **TALK** key and hear your baby again.



#### Zoom

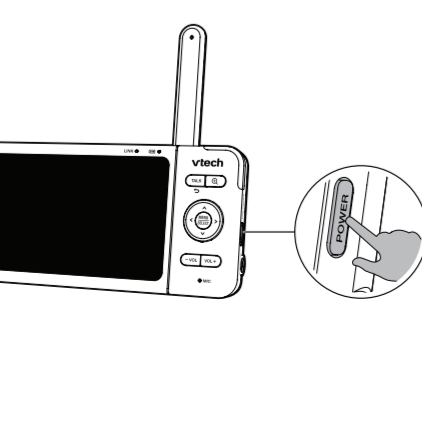
Press to zoom in or out.



#### Turn on/off the parent unit screen

You can turn on or off the parent unit screen without powering off the parent unit. You can still hear sound from the baby unit.

- Press **POWER** on the parent unit to turn off the screen.
- Press any keys on the parent unit to turn on the screen again.



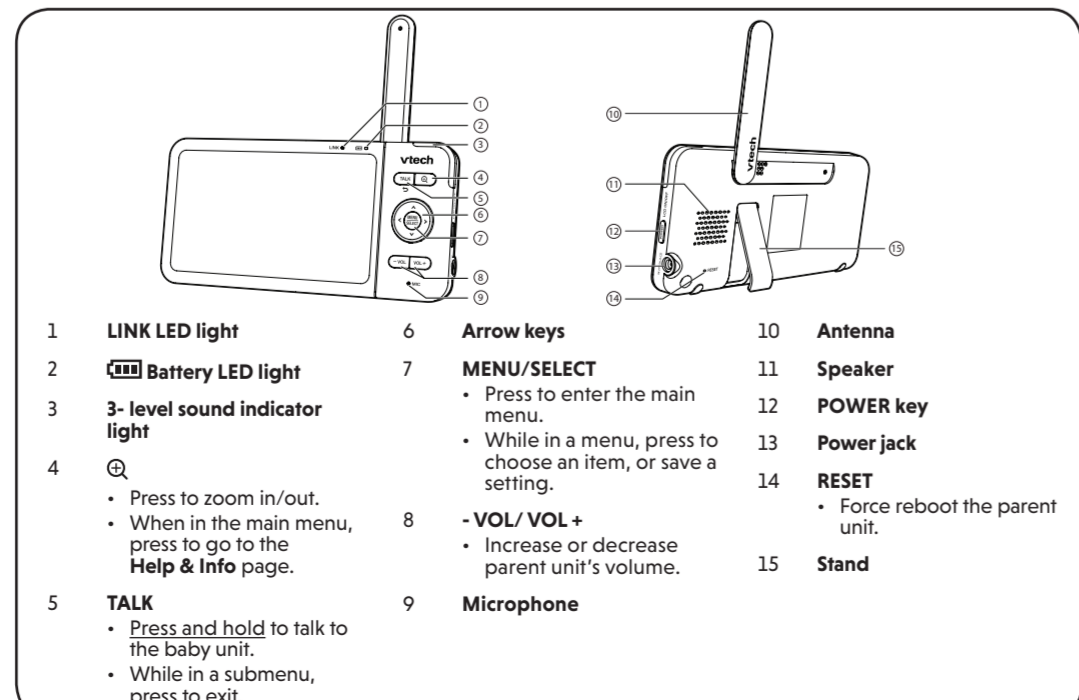
#### Use the menu

Press **MENU** to enter the menu, choose a menu item, or save a setting. You can use the parent unit for advanced settings or operations, such as to play or stop the baby unit lullaby, or to adjust the baby unit sound sensitivity.

While in the menu:

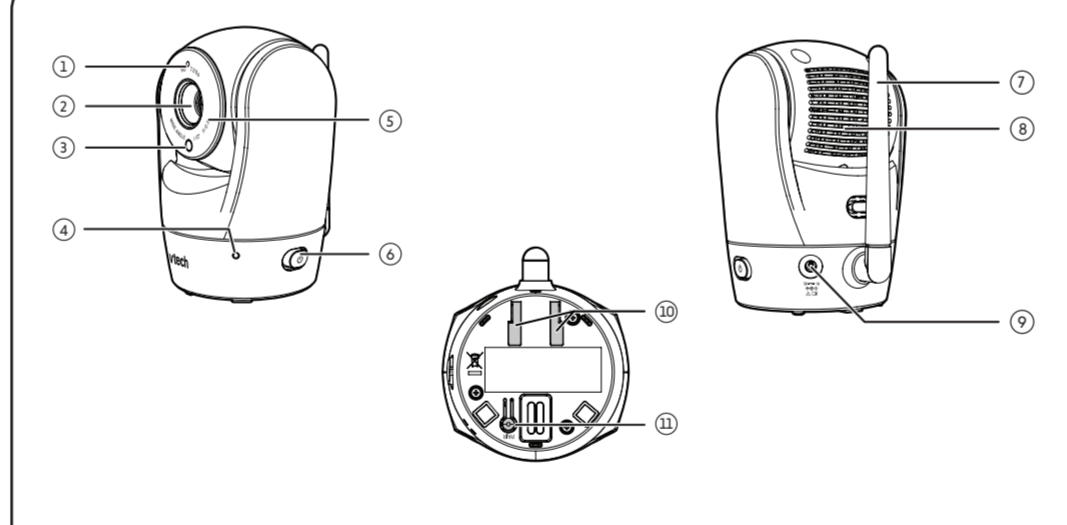
- Press **▲**, **▼**, **◀** or **▶** to scroll among the menu options.
- Press **SELECT** to select an item, or to save a setting.
- Press **TALK** to return to the live video.
- Press to go to the **Help & info** page.

### OVERVIEW - PARENT UNIT



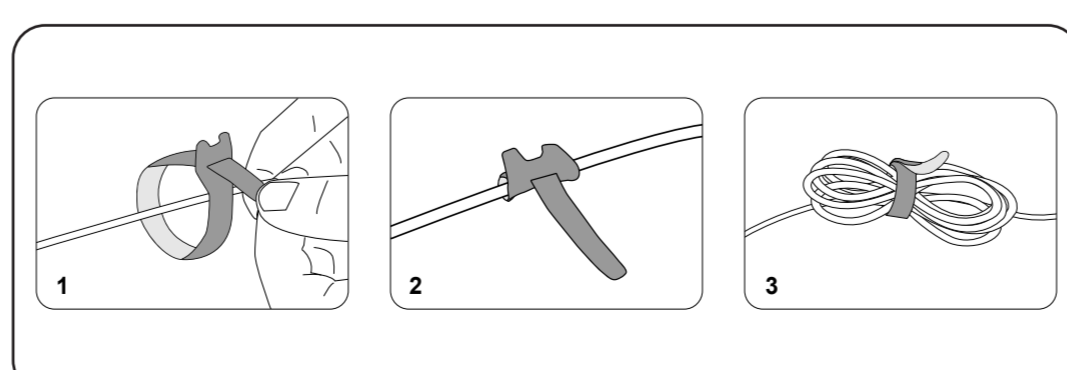
- LINK LED light**
- Battery LED light**
- 3-level sound indicator light**
- Zoom icon**
  - Press to zoom in/out.
  - When in the main menu, press to go to the **Help & Info** page.
- TALK**
  - Press and hold to talk to the baby unit.
  - While in a submenu, press to exit.
- Arrow keys**
  - MENU/SELECT**
    - Press to enter the main menu.
    - While in a menu, press to choose an item, or save a setting.
  - VOL/VOL+**
    - Increase or decrease parent unit's volume.
- Microphone**
- Antenna**
- Speaker**
- POWER key**
- Power jack**
  - Force reboot the parent unit.
- Stand**

### OVERVIEW - BABY UNIT



- Microphone**
- Camera lens**
- Light sensor**
- LED indicator**
- Infrared LEDs**
- Power switch**
- Antenna**
- Speaker**
- Power jack**
- Wall mount slots**
- Pair button**

### CABLE MANAGEMENT



### PARENT UNIT ICONS

#### Main menu icons

##### Main menu

##### Monitoring mode (For VM928-2HD only)

- Baby unit 1 in Single mode**
- Baby unit 2 in Single mode**
- Patrol mode**
- Split mode**

##### Melodies and soothing sounds

- Melodies and Soothing Sounds**
  - Select play all melodies, or play one of the five melodies and four soothing sounds.

##### Timer

- You can also set the timer to stop playing after 15, 30 or 60 minutes, or playing non-stop.

##### Alerts - Sound, motion and temperature

- Sound**
  - Select sound **Sensitivity** level.
  - Turn on/off **Sound Detection Alert**.
  - Turn on/off **Auto Wake Up** function. (See **Sound Detection and Auto Wake Up** section)
- Motion**
  - Turn on/off **Motion Alert**.
  - Select motion **Sensitivity** level. (See **Motion Detection** section)

##### Main menu

- Temperature**
  - Turn on/off **Temperature Alert**. Set the parent unit to beep whenever the room temperature detected by the baby unit falls outside of the set temperature range.
  - Select **Minimum** temperature for alert range.
  - Select **Maximum** temperature for alert range.
  - Select temperature **Format**. Set temperature display in Fahrenheit (°F) or Celsius (°C).

##### Parent unit settings

- Adjust parent unit screen **Brightness**.
- Turn on/off **Dim Mode**.

##### Baby unit settings

- Turn on/off baby unit's **Status LED**.
- Adjust baby unit's speaker **Volume**.

##### General settings

- Turn on/off **Low Battery Alert Tone**. Set the parent unit to beep when the battery is low.
- Turn on/off **No Link Alert Tone**. Set the parent unit to beep when the link between the parent unit and the baby unit is lost.

#### Status icons

- Current view status**
  - The baby unit number that is being viewed when in:
    - Single CAM** mode.
    - Patrol mode** (\* For VM928-2HD only).
    - Split mode** (\* For VM928-2HD only).
- Patrol mode** (\* For VM928-2HD only)
- Night vision feature is activated automatically.
- Motion alert is turned on.
- Sound detection alert is turned on.
- Melodies or soothing sound are turned on.
- Parent unit speaker is muted.
- Temperature alert is turned on.
- Real-time temperature indicator
- Battery status indicator

#### Alert icons

- Displays when parent unit's battery is low and needs charging.
- Displays when motion is detected at a baby unit.
- Displays when sound is detected at a baby unit.
- Baby unit detects temperature exceeds the set maximum.
- Baby unit detects temperature is lower than the set minimum.