

Go to www.vtechphones.com to register your product for enhanced warranty support and latest VTech product news.

RM5766HD
RM5766-2HD
5" Smart Wi-Fi 1080p
Pan & Tilt Monitor



For more support information



vtech
Quick start guide

Congratulations

on purchasing your new VTech product. Before using this baby monitor, please read the **Important safety instructions**. For support, shopping, and everything new at VTech, visit our website at www.vtechphones.com. In Canada, visit www.vtechcanada.com.

What does HD Video Monitor do?

VTech 5" Smart Wi-Fi 1080p Pan & Tilt Monitor allows you to stay close to your baby when you are on the move or away. This monitor is Wi-Fi enabled, using your home wireless network to stream live video and audio through the 1080p baby unit and 5-inch color screen parent unit. It allows you to maintain a constant connection to your baby.

You can also monitor from your smartphone and mobile tablet.

VTech 5" Smart Wi-Fi 1080p Pan & Tilt Monitor uses **MyVTech Baby Plus** app to let you instantly see and hear what's happening with your baby from anywhere in the world. The app can be downloaded from the App Store or the Google Play™ Store. The full HD (1080p) resolution is visible in the app only.

IMPORTANT SAFETY INSTRUCTIONS

The applied nameplate is located at the bottom of the baby unit's base. When using your equipment, basic safety precautions should always be followed to reduce the risk of fire, electric shock and injury, including the following:

- Follow all warnings and instructions marked on the product.
- Adult setup is required.
- CAUTION:** Do not install the baby unit at a height above 6.5 feet (2 meters).
- This product is intended as an aid. It is not a substitute for responsible and proper adult supervision and should not be used as such.
- This product is not intended for use as a medical monitor.
- Do not use this product near water, for example, near to a bath, sink, swimming pool or shower.
- CAUTION:** Use only the battery provided. There may be a risk of explosion if a wrong type of battery is used for the parent unit. The battery cannot be subjected to high or low extreme temperature and low air pressure at high altitude during use, storage or transportation. Disposal of battery in fire or a hot oven, mechanically crushing or cutting the battery can result in an explosion. Leaving the battery in an extremely high temperature surrounding environment can result in an explosion or the leakage of flammable liquid or gas. Battery subjected to extremely low air pressure may result in an explosion or the leakage of flammable liquid or gas. Dispose of used battery according to the information in the **RRBC seal**.
- Use only the power adapters included with this product. Incorrect power adapter polarity or voltage can seriously damage the product.

Power adapter information:
Baby Unit Output: 5V DC 1.5A
VTech Telecommunications Ltd.
Model: VT05EUS05150
Parent Unit Output: 5V DC 2A
VTech Telecommunications Ltd.
Model: VT07EUS0200

Rechargeable battery information:
3.7V 5000mAh, 18.5Wh Lithium-ion battery
Zhuhai Great Power Energy Co., Ltd.
Model: GSP06090-5Ah 3.7V-L31P

- The power adapter is intended to be correctly oriented in a vertical or floor mount position. The prongs are not designed to hold the plug in place if it is plugged into a ceiling, under-the-table or cabinet outlet.
- For pluggable equipment, the socket-outlet (power adapter) should be installed near the equipment and should be easily accessible.
- Unplug this product from the wall outlet before cleaning. Do not use liquid or aerosol cleaners. Use a damp cloth for cleaning.
- Do not modify the power adapters or replace with other adapters, as this causes a hazardous situation.
- Do not allow anything to rest on the power cords. Do not install this product where the cords may be walked on or crimped.
- This product should be operated only from the type of power source indicated on the marking label. If you are not sure of the type of power supply in your home, consult your dealer or electricity supply provider.
- Do not overload wall outlets or use an extension cord.
- Do not place this product on an unstable table, shelf, stand or other unstable surfaces.
- This product should not be placed in any area where proper ventilation is not provided. Slots and openings in the back or bottom of this product are provided for ventilation. To protect them from overheating, these openings must not be blocked by placing the product on a soft surface such as a bed, sofa or rug. This product should never be placed near or over a radiator or heat source.
- Never push objects of any kind into this product through the slots

- because they may touch dangerous voltage points or create a short circuit. Never spill liquid of any kind on the product.
- To reduce the risk of electric shock, do not disassemble this product, but take it to an authorized service facility. Disassembling or removing parts of the product other than via the battery door may expose you to dangerous voltages or other risks. Incorrect reassembling can cause electric shock when the product is subsequently used.
- You should test the sound reception every time you turn on the units or move one of the components.
- Periodically examine all components for damage.
- Do not use this product near water, for example, near to a bath, sink, swimming pool or shower.
- Use only the battery provided. There may be a risk of explosion if a wrong type of battery is used for the parent unit. The battery cannot be subjected to high or low extreme temperature and low air pressure at high altitude during use, storage or transportation. Disposal of battery in fire or a hot oven, mechanically crushing or cutting the battery can result in an explosion. Leaving the battery in an extremely high temperature surrounding environment can result in an explosion or the leakage of flammable liquid or gas. Battery subjected to extremely low air pressure may result in an explosion or the leakage of flammable liquid or gas. Dispose of used battery according to the information in the **RRBC seal**.
- Use only the power adapters included with this product. Incorrect power adapter polarity or voltage can seriously damage the product.

SAVE THESE INSTRUCTIONS

- Use and store the product at a temperature between 32°F (0°C) and 104°F (40°C).
- Mishandling batteries can cause burn, fire or explosion hazards.
- Batteries should not be exposed to excessive heat such as bright sunshine or fire.
- Do not expose the product to extreme cold, heat or direct sunlight. Do not put the product close to a heating source.
- Warning—Strangulation Hazard—Children** have STRANGLERED in cords. Keep this cord out of the reach of children (more than 3 ft (0.9m) away). Do not remove warning label on the adapter cord.
- Never place the camera unit(s) inside the baby's crib or playpen. Never cover the camera unit(s) or parent unit with anything such as a towel or a blanket.
- Other electronic products may cause interference with your camera unit. Try installing your camera unit as far away from these electronic devices as possible: wireless routers, radios, cellular telephones, intercoms, room monitors, televisions, personal computers, kitchen appliances and cordless telephones.

Precautions for users of implanted cardiac pacemakers
Cardiac pacemakers (applies only to digital cordless devices): Wireless Technology Research, LLC (WTR), an independent research entity, led a multidisciplinary evaluation of the interference between portable wireless devices and implanted cardiac pacemakers. Supported by the U.S. Food and Drug Administration, WTR recommends to physicians that:

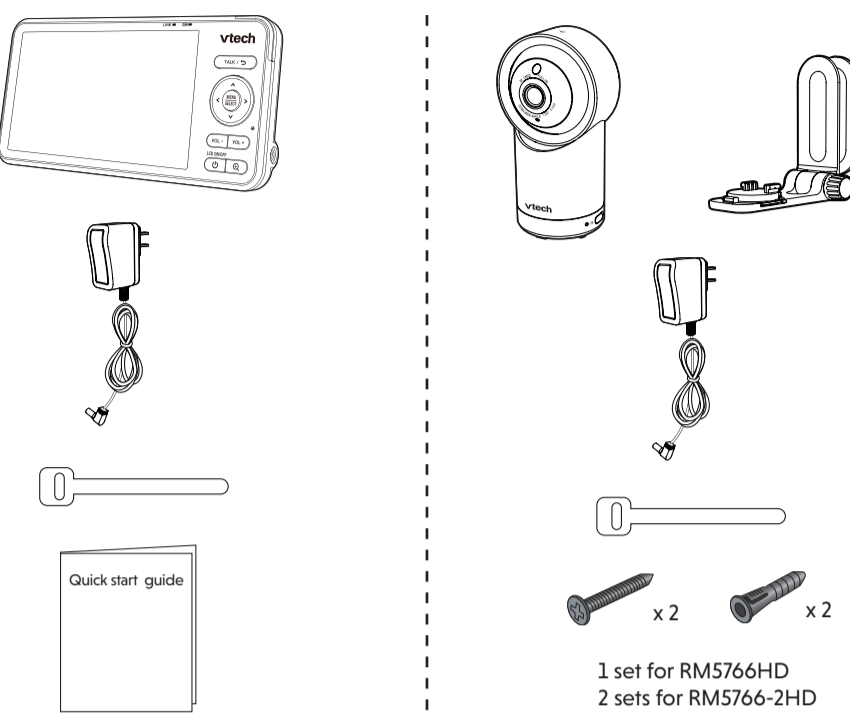
- Pacemaker patients**
 - Should keep wireless devices at least six inches from the pacemaker.
 - Should NOT place wireless devices directly over the pacemaker, such as in a breast pocket, when it is turned ON.

WTR's evaluation did not identify any risk to bystanders with pacemakers from other persons using wireless devices.

Electromagnetic fields (EMF)
This VTech product complies with all standards regarding electromagnetic fields (EMF). If handled properly and according to the instructions in this user's manual, the product is safe to be used based on scientific evidence available today.

WHAT'S IN THE BOX

Your baby monitor package contains the following items. Save your sales receipt and original packaging in the event warranty service is necessary.



1 set for RM5766HD
2 sets for RM5766-2HD

Requirements

For mobile access:

MyVTech Baby Plus mobile app	
Network	Wi-Fi
Wi-Fi router	2.4GHz 802.11 b/g/n
Internet connection	1.5 Mbps @ 720p or 2.5 Mbps @1080p upload bandwidth per baby unit

DOWNLOAD APP FOR MOBILE ACCESS

- Download the free **MyVTech Baby Plus** mobile app and install it to a mobile device, then use your mobile device and the mobile app to monitor your baby remotely.
 - Press **MENU/SELECT** when the parent unit is idle.
- Go to or .
- Scan the QR code in below or search the app with keyword "myvtech baby plus" to download the app into your mobile device if you have not installed the app yet.
- Follow the instructions in the mobile app to set up and pair your baby unit to the mobile app.

Alternatively, you can download the mobile app from the App Store or Google Play store.

Install MyVTech Baby Plus mobile app

- Browse the App Store or the Google Play store .
- Search for the mobile app with the keyword "myvtech baby plus".
- Download and install the **MyVTech Baby Plus** mobile app to your mobile device.

OR

Scan the QR codes on the right to get the app.

NOTE

- Make sure your mobile device meets the minimum requirement for the mobile app.

Minimum requirement

- The mobile app is compatible with:
 - Android™ 6.0 or later; and
 - iOS 12 or later.

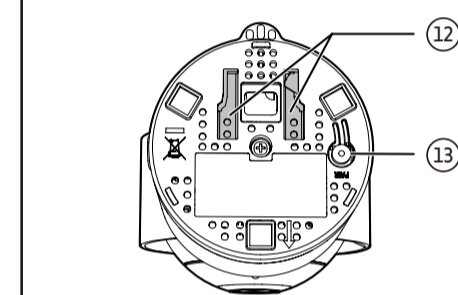
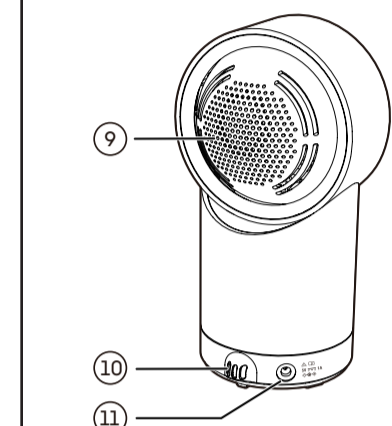
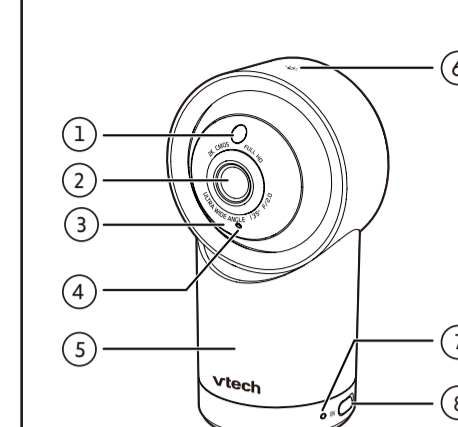
- After installing the mobile app, follow the instructions in the mobile app and parent unit to set up and pair your baby unit.

In your mobile device:

- Tap to run the mobile app in your mobile device, and then create a user account.
- We recommend that you use common webmail services, such as Google Gmail for registration of your user account. Check your email (and Spam folder), and activate your new camera account via the email verification code, then sign in to your account.
- Follow the instructions in the mobile app to pair the camera.

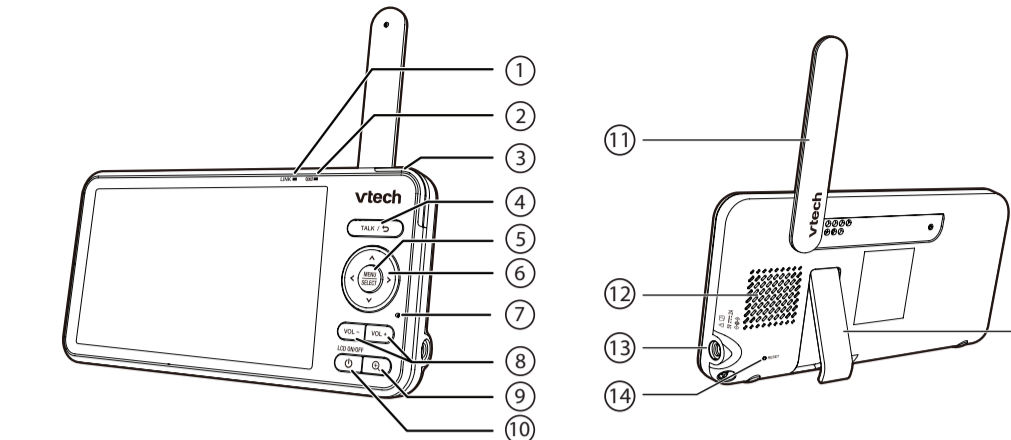
OVERVIEW

Baby unit overview



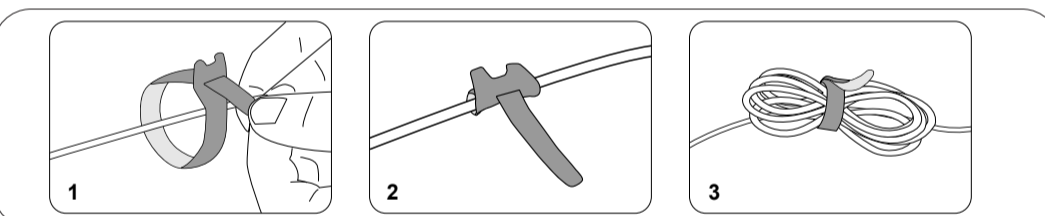
- Light sensor**
- Camera lens**
- Infrared LEDs**
 - Allow you to see clearly in a dark environment.
- Microphone**
- Night Light**
- Night Light Control Key**
 - Go to **Night Light** section to learn more.
- LED indicator**
 - In direct signal connection:
 - Red is steadily on when the baby unit is connecting to the parent unit.
 - Red flashing slowly during video streaming
 - In Wi-Fi signal connection:
 - Green is steadily on when the baby unit is connected to Wi-Fi.
 - Green flashes slowly during video streaming to Wi-Fi.
- ON/OFF switch**
 - Power it on or off.
- Speaker**
- Temperature sensor**
- Power jack**
- Wall mount slots**
- PAIR**
 - The parent unit and baby unit provided are already paired.

Parent unit overview



- LINK LED light**
 - On when the parent unit is linked to the baby unit.
 - Flashes when the link to the baby unit is lost.
- LED light**
 - On when the parent unit is connected to AC power, and the battery is charging.
 - Flashes when the parent unit battery is low and needs to be charged.
- 3-level sound indicator light**
 - Green: low sound level is detected by the baby unit.
 - Green and amber: moderate sound level is detected by the baby unit.
 - Green, amber and red: high sound level is detected by the baby unit.
- TALK** /
 - Press and hold to talk to the baby unit.
 - While in a sub-menu, press to exit.
- MENU | SELECT**
 - Press to enter the main menu.
 - While in a menu, press to choose an item, or save a setting.
- Arrow keys**
 - Press to navigate leftward, upward, rightward or downward, within the main menu and sub-menus.
 - Press to move the baby unit camera leftward, rightward, upward or downward.
- Microphone**
- VOL - | VOL +**
 - Increase or decrease parent unit volume.
- Zoom**
 - Press to zoom in/out.
 - While in a sub-menu, press to view the help menu.
- Power LED ON/OFF**
- Antenna**
- Speaker**
- Power jack**
- RESET**
 - Force reboot the parent unit.
- Stand**

CABLE MANAGEMENT

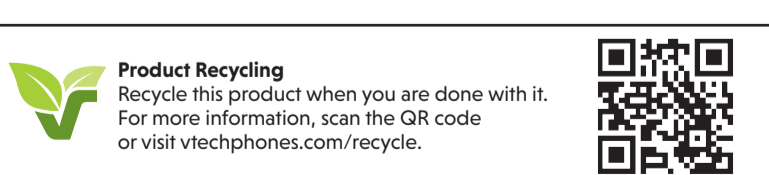


TECHNICAL SPECIFICATIONS

Frequency	Baby unit: 2412 - 2462 MHz
Channels	11
LCD	5" Color LCD (IPS 1280x720 pixels)
Nominal effective range	Maximum power allowed by FCC and IC. Actual operating range may vary according to environmental conditions at the time of use.
Power requirement	Baby unit power adapter: Output: 5V DC, 1000mA. Parent unit power adapter: Output: 5V DC, 2A. Parent unit battery: 3.7V 5000mAh, 18.5Wh Lithium-ion battery

DISCLAIMER AND LIMITATION OF LIABILITY

VTech Communications, Inc. and its suppliers assume no responsibility for any damage or loss resulting from the use of this user's manual. VTech Communications, Inc. and its suppliers assume no responsibility for any loss or claims by third parties that may arise through the use of this product. Company: VTech Communications, Inc. Address: 9020 SW Washington Square Road - Ste 555 Tigard, OR 97223, United States Phone: 1 (800) 595-9511 in the U.S. or 1 (800) 267-7377 in Canada



Android™ and Google Play™ are trademarks of Google Inc. App Store is a trademark of Apple Inc., registered in the U.S. and other countries. iOS is a trademark or registered trademark of Cisco in the U.S. and other countries and is used under license.

Specifications are subject to change without notice. © 2023 VTech Communications, Inc. All rights reserved. 09/23. RM5766-XHD_2Gen_QSG_V2

HOW THE SYSTEM WORKS

Tip To receive product firmware updates, this baby monitor requires connecting to a 2.4GHz home Wi-Fi network.

Direct signal connection

Your baby monitor parent unit and baby unit connect to each other in Direct mode by default, which allows you to immediately stream video out of the box.



Wi-Fi signal connection

You are required to set up your monitor in **Wi-Fi signal connection** to enjoy live video streaming via your mobile app with an enhanced connection.

It uses your 2.4GHz home Wi-Fi network to connect your video monitor. It supports live video streaming through the mobile app.

To stream live video remotely with your mobile device, download, install the **MyVTech Baby Plus** mobile app. With the mobile app, your Wi-Fi router (not included) provides Internet connectivity to your HD video monitor system. It serves as a communicating channel between your baby unit and mobile device, allowing you to monitor and/or control your baby unit wherever you are. For more details, see **Download app for mobile access** section in this quick start guide.

NOTE

- When both parent unit and app are viewing the camera simultaneously, the video quality will be optimised to deliver the best possible viewing result.

PROTECT YOUR PRIVACY AND ONLINE SECURITY

VTech cares about your privacy and peace of mind. That's why we've put together a list of industry-recommended best practices to help keep your wireless connection private and your devices protected when online. We recommend you carefully review and consider complying with the following tips.

Ensure your wireless connection is secure.

- Before installing a device, ensure your router's wireless signal is encrypted by selecting the "WPA2-PSK with AES" setting in your router's wireless security menu.

- Change your wireless router's default wireless network name (SSID) to something unique.
- Change default passwords to unique, strong passwords. A strong password:
 - Is at least 10 characters long.
 - Is complex.
 - Does not contain dictionary words or personal information.
 - Contains a mix of uppercase letters, lowercase letters, special characters and numbers.

Keep your devices up to date.

- Download security patches from manufacturers as soon as they become available. This will ensure you always have the latest security updates.
- If the feature is available, enable automatic updates for future releases.

Disable Universal Plug and Play (UPnP) on your router.

- UPnP enabled on a router can limit the effectiveness of your firewall by allowing other network devices to open inbound ports without any intervention or approval from you. A virus or other malware program could use this function to compromise security for the entire network.

For more information on wireless connections and protecting your data, please review the following resources from industry experts:

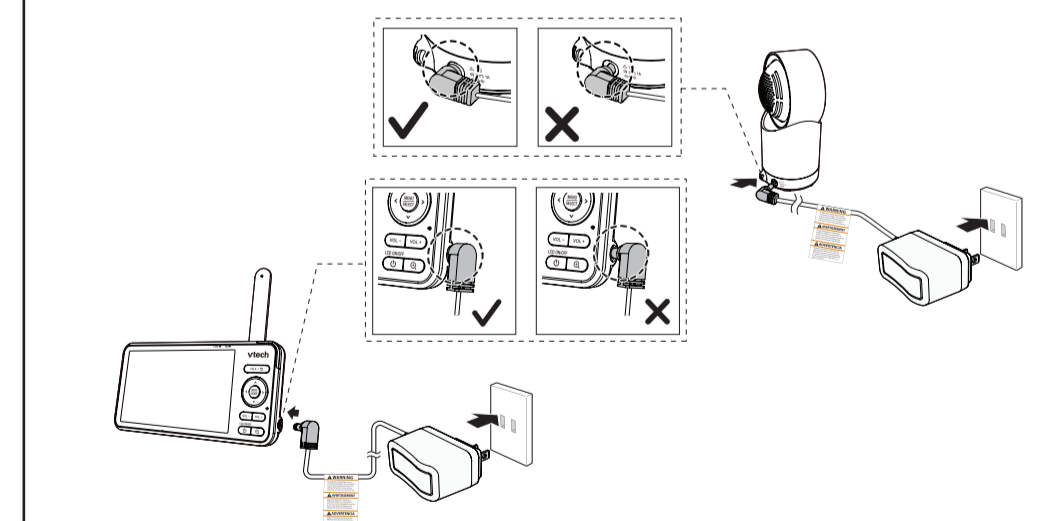
- Federal Communications Commission: Wireless Connections and Bluetooth Security Tips - www.fcc.gov/consumers/guides/how-protect-yourself-online.
- U.S. Department of Homeland Security: Before You Connect a New Computer to the Internet - www.us-cert.gov/ncas/tips/ST15-003.
- Federal Trade Commission: Using IP Cameras Safely - <https://www.consumer.ftc.gov/articles/0382-using-ip-cameras-safely>.
- Wi-Fi Alliance: Discover Wi-Fi Security - <http://www.wi-fi.org/discover-wi-fi/security>.

CONNECT, CHARGE AND POWER ON THE BABY MONITOR

Connect the baby monitor

NOTES

- The rechargeable battery in the parent unit is built-in.
- Use only the power adapters supplied with this product.
- Make sure the parent unit and the baby unit are not connected to the switch controlled electric outlets.
- Connect the power adapters in a vertical or floor mount position only. The adapters' prongs are not designed to hold the weight of the parent unit and the baby unit, so do not connect them to any ceiling, under-the-table, or cabinet outlets. Otherwise, the adapters may not properly connect to the outlets.
- Make sure the parent unit, the baby unit and the power adapter cords are out of reach of children.



Slide the power switch to power on your baby unit.

NOTES

- After powering up, the baby unit status LED will turn on and then turn off after a short time.



NOTE: Camera lens and surface may get warm during normal operation.

Charge the parent unit battery before use

The parent unit runs on rechargeable battery or AC power. To continuously monitor your baby, keep the parent unit connected to AC power.

NOTES

- Before using the baby monitor for the first time, charge the parent unit battery for 12 hours. When the parent unit battery is fully charged, the battery icon segments are solid .
- The standby time varies depending on your actual use.

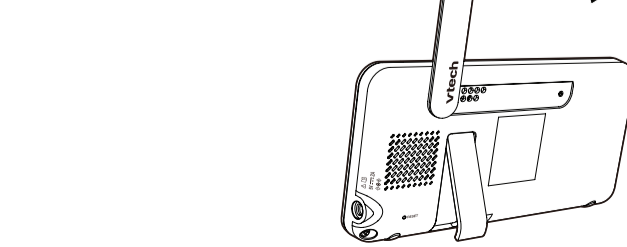
The parent unit turns on automatically after connecting to the power socket, and the welcome screen appears. You can press **Power** to turn the parent unit on or **press and hold** to turn it off.



The battery icon indicates the battery status (see the following table).

BATTERY INDICATORS	BATTERY STATUS	ACTION
	The battery has very little charge and may be used for only a short time.	Charge without interruption (about 30 minutes).
	The battery is fully charged.	To keep the battery charged, connect it to AC power when in use.

Raise the parent unit antenna for better reception



PARENT UNIT ICONS

Main Menu	Sub-menu	Options
	Monitoring mode ("For RM5766-2HD only") <ul style="list-style-type: none"> View baby units in Single mode. View baby units in Patrol mode. View baby units in Split screen. 	Alerts Settings <ul style="list-style-type: none"> Adjust alerts volume level. Motion Detect <ul style="list-style-type: none"> Turn on/off motion detection alert. Adjust Motion Sensitivity Level to activate parent unit screen. Temperature <ul style="list-style-type: none"> Turn on/off temperature detection alert. Select maximum and minimum temperature for alert range. Low battery <ul style="list-style-type: none"> Turn on/off low battery alert. Turn on/off lost link alert.
	Night light <ul style="list-style-type: none"> Turn on or turn off night light. Select a night light color. Brightness <ul style="list-style-type: none"> Adjust night light brightness. Set the brightness to Auto adaptive ambience. Timer <ul style="list-style-type: none"> Set the timer to turn off night light after 15, 30 or 60 minutes, or remain on always. 	Help and info <ul style="list-style-type: none"> Support Information How-to Video Support video System Info System Information
	Melodies and soothing sounds <ul style="list-style-type: none"> Play or Stop the lullaby. Library <ul style="list-style-type: none"> Select to play all melodies, or play one of the five melodies or five soothing sounds. Camera Volume <ul style="list-style-type: none"> Adjust the play volume level. Timer <ul style="list-style-type: none"> Set the timer to stop playing after 15, 30 or 60 minutes, or remain on-stop. 	Status icons <ul style="list-style-type: none"> Direct signal connection <ul style="list-style-type: none"> Parent unit, baby unit 1 and baby unit 2 ("For RM5766-2HD only" are connected to each others directly. Red bars indicate no connection. Wi-Fi signal connection <ul style="list-style-type: none"> The signal icon(s) on the left indicate that baby unit 1 and baby unit 2 ("For RM5766-2HD only" are connected to home Wi-Fi network. The red icon(s) indicates no connection. The parent unit always connect directly with baby unit(s). Its signal strength indicated by the direct signal connection icon(s) on the right. Baby unit 1 and 2 are being viewed in Patrol mode (For RM5766-2HD only). Baby unit 1 and 2 are being viewed in Split mode (For RM5766-2HD only). Motion detection alert is turned on. Melodies and soothing sounds are playing. Night light is turned on. Auto night light brightness is activated. Temperature alert is turned on. Parent unit is muted. Temperature is 70°F Battery level indicator Low battery indicator
	General settings <ul style="list-style-type: none"> Connect to Mobile App <ul style="list-style-type: none"> Instructions for adding Baby Unit(s) to Mobile App. Camera Volume <ul style="list-style-type: none"> Adjust Baby Unit speaker volume. Screen Brightness <ul style="list-style-type: none"> Adjust Parent Unit screen brightness. Screen Off Timer <ul style="list-style-type: none"> The parent unit screen will turn off after the selected time to save energy. You can still hear your baby while the screen is turned off. When Auto is selected, the parent unit will turn on if the sound exceeds the set sensitivity level. Temperature Format <ul style="list-style-type: none"> Change temperature display format. Other <ul style="list-style-type: none"> Reset settings, Software update. 	