

Go to www.vtechphones.com to register your product for enhanced warranty support and the latest VTech product news.

VM5251
VM5251-2

Full Color Video Monitor



vtech
User's manual

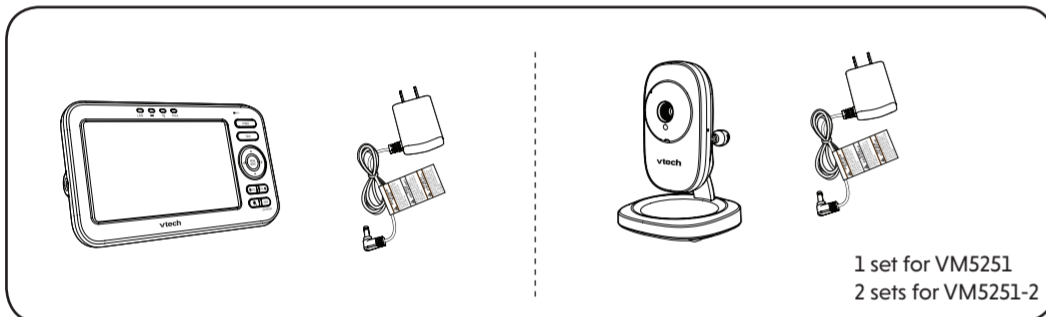
CONGRATULATIONS

on purchasing your new VTech product. Before using this product, please read **Important safety instructions**.

This manual has all the feature operations and troubleshooting necessary to install and operate your new VTech product. Please review this manual thoroughly to ensure proper installation and operation of this innovative and feature-rich VTech product.

For support, shopping, and everything new at VTech, visit our website at www.vtechphones.com.

WHAT'S IN THE BOX



IMPORTANT SAFETY INSTRUCTIONS

The applied nameplate is located at the bottom of the baby unit's base.

When using your equipment, basic safety precautions should always be followed to reduce the risk of fire, electric shock and injury, including the following:

- Follow all warnings and instructions marked on the product.
- Adult setup is required.
- CAUTION:** Do not install the baby unit at a height above 2 meters.
- This product is not a substitute for adult supervision of the infant. Supervising the infant is the parent's or caregiver's responsibility. This product could cease operating, and therefore you should not assume it will continue working properly for any given period of time. Further, this is not a medical device and should not be used as such. This product is intended to assist you in supervising your baby.
- Do not use this product near water. For example, do not use it next to a bath tub, wash bowl, kitchen sink, laundry tub or swimming pool, or in a wet basement or shower.
- CAUTION:** Use only the battery provided. There may be a risk of explosion if a wrong type of battery is used for the parent unit. The battery cannot be subjected to high or low extreme temperature and low air pressure at high altitude during use, storage or transportation. Disposal of battery into fire or a hot oven, or mechanically crushing or cutting or the battery can result in an explosion. Leaving the battery in an extremely high temperature surrounding environment can result in an explosion or the leakage of flammable liquid or gas. Battery subjected to extremely low air pressure may result in an explosion or the leakage of flammable liquid or gas. Dispose of used battery according to the information in **The RBRC seal**.
- Use only the adapters included with this product. Incorrect adapter polarity or voltage can seriously damage the product. Baby unit power adapter: Output: 5V DC 600mA; Parent unit power adapter: Output: 5V DC 1A.
- The power adapters are intended to be correctly oriented in a vertical or floor mount position only. The prongs are not designed to hold the plug in place if it is plugged into a ceiling, under-the-table or cabinet outlet.
- For pluggable equipment, the socket-outlet shall be installed near the equipment and shall be easily accessible.
- Unplug this product from the wall outlet before cleaning. Do not use liquid or aerosol cleaners. Use a damp cloth for cleaning.
- Do not cut out of the power adapters to replace them with other plugs, as this causes a hazardous situation.
- Do not allow anything to rest on the power cords. Do not install this product where the cords may be walked on or crimped.
- This product should be operated only from the type of power source indicated on the marking label. If you are not sure of the type of power supply in your home, consult your dealer or local power company.
- Do not overload wall outlets or use an extension cord.
- Do not place this product on an unstable table, shelf, stand or other unstable surfaces.
- This product should not be placed in any area where proper ventilation is not provided. Slots and openings in the back or bottom of this product are provided for ventilation. To protect them from overheating, these openings must not be blocked by placing the product on a soft surface such as a bed, sofa or rug. This product should never be placed near or over a radiator or heat register.
- Never push objects of any kind into this product through the slots because they may touch dangerous voltage points or create a short circuit. Never spill liquid of any kind on the product.
- To reduce the risk of electric shock, do not disassemble this product, but take it to an authorized service facility. Opening or removing parts of the product other than specified access doors may expose you to dangerous voltages or other risks. Incorrect reassembling can cause electric shock when the product is subsequently used.
- You should test the sound reception every time you turn on the units or move one of the components.
- Periodically examine all components for damage.
- Be aware of possible loss of privacy while using public airwaves. Conversations may be picked up by other nursery monitors, cordless phones, scanners, etc.
- Children should be supervised to ensure that they do not play with the product.
- The product is not intended for use by persons (including children) with reduced physical, sensory or mental capabilities, or lack of experience and knowledge, unless they have been given supervision or instruction concerning use of the appliance by a person responsible for their safety.

SAVE THESE INSTRUCTIONS

Caution

- Use and store the product at a temperature between 32°F and 104°F.
- Do not expose the product to extreme cold, heat or direct sunlight. Do not put the product close to a heating source.
- Batteries should not be exposed to excessive heat such as bright sunshine or fire.
- Make sure the baby unit(s) and the adapter cord(s) are always out of reach of the baby, at least 3 feet away from the baby or crib, to avoid a possible strangulation hazard.
- Never place the baby unit(s) inside the baby's crib or playpen. Never cover the baby unit(s) or parent unit with anything such as a towel or a blanket.
- Other electronic products may cause interference with your baby monitor. Try installing your baby monitor as far away from these electronic devices as possible: wireless routers, radios, cellular telephones, intercoms, room monitors, televisions, personal computers, kitchen appliances and cordless telephones.

Precautions for users of implanted cardiac pacemakers

Cardiac pacemakers (applies only to digital cordless devices):
Wireless Technology Research, LLC (WTR), an independent research entity, led a multidisciplinary evaluation of the interference between portable wireless devices and implanted cardiac pacemakers. Supported by the U.S. Food and Drug Administration, WTR recommends to physicians that:

Pacemaker patients

- Should keep wireless devices at least six inches from the pacemaker.
- Should NOT place wireless devices directly over the pacemaker, such as in a breast pocket, when it is turned ON. WTR's evaluation did not identify any risk to bystanders with pacemakers from other persons using wireless devices.

Electromagnetic fields (EMF)

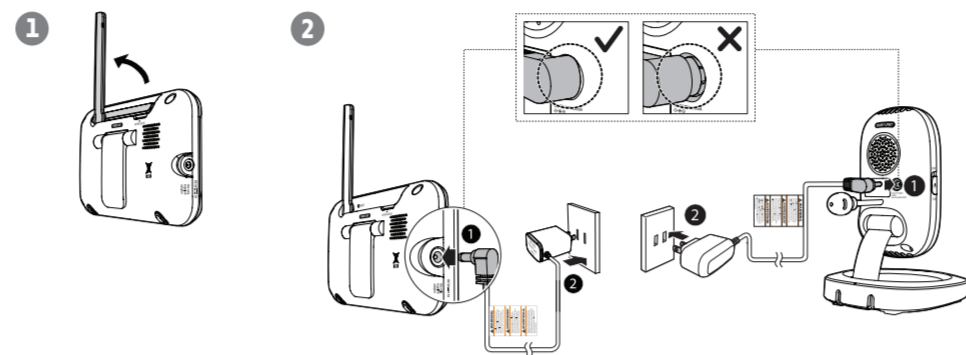
This VTech product complies with all standards regarding electromagnetic fields (EMF). If handled properly and according to the instructions in this user's manual, the product is safe to be used based on scientific evidence available today.

1 CONNECT AND CHARGE THE BATTERY

Connect the baby monitor

NOTES

- The rechargeable battery in the parent unit is built-in.
- Use only the power adapters supplied with this product.
- Make sure the baby monitor is not connected to a switch-controlled electric outlet.
- Connect the power adapters in a vertical or floor mount position only. The adapters' prongs are not designed to hold the weight of baby monitor, so do not connect them to any ceiling, under-the-table, or cabinet outlets. Otherwise, the adapters may not properly connect to the outlets.
- Make sure the parent unit, the baby unit and the power adapter cords are out of reach of children.



Charge the parent unit battery

When you have connected the parent unit and installed its battery for the first time or after power outage, the parent unit powers on automatically. The battery icon indicates the battery status (see the following table).

NOTES

- The parent unit battery is fully charged after 3 hours of continuous charging.
- It takes longer to charge the battery when the parent unit is turned on. To shorten the charging time, turn the parent unit off while charging.
- The standby time varies depending on the sensitivity level you set, your actual use and the age of the battery.

BATTERY INDICATORS	BATTERY STATUS	ACTION
The screen displays Battery low at Parent Unit and . The light flashes.	The battery has very little charge and may be used for only a short time.	Charge without interruption (about 30 minutes).
The battery icon becomes solid .	The battery is fully charged.	To keep the battery charged, connect it to AC power when not in use.

2 BEFORE USE

NOTE

- This baby monitor is intended as an aid. It is not a substitute for proper adult supervision, and should not be used as such.

Test your baby monitor

You may test the baby monitor before initial use, and at regular times thereafter.

CAUTION

- For hearing protection, make sure the parent unit is more than 3 feet (1 meter) away from both baby units. If you hear any high-pitched noise, move the parent unit further until the noise stops. You can also press on the parent unit to reduce the noise.

- Make sure your baby unit and parent unit are on.
- The parent unit displays images from the baby unit.
 - Speak towards the microphone of the baby unit. You will hear the sound at the parent unit.
- If you have two baby units, press **VIEW** on your parent unit. The screen switches to the other baby unit. Then, repeat step 2.

NOTE

- When the parent unit displays and then **No Link to CAM #** (**#** represents the baby unit number), and the **LINK** LED light flashes, move the parent unit closer to the baby unit (observe the minimum distance of 3 feet / 1 meter). You can also check if the baby unit is connected to a live power socket and switched on.

TIP

- Increase the speaker volume of the parent unit if you cannot hear the sounds transmitted from the baby units.

Positioning the baby monitor

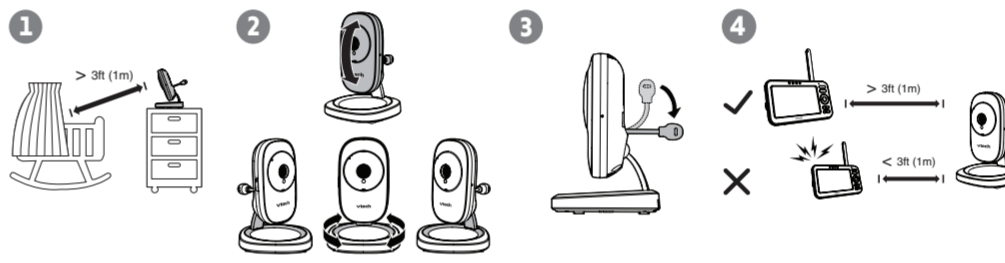
CAUTION

- Keep the baby unit out of the reach of your baby. Never place or mount the baby unit inside the baby's crib or playpen.

NOTE

- To avoid interference from other electronic devices, place your baby monitor at least 3 feet (1 meter) away from devices such as wireless routers, microwaves, cell phones and computers.

- Place the baby unit more than 3 feet (1 meter) away from your baby.
- Adjust the angle of the baby unit camera to aim at your baby.
- Bend down the temperature sensor so that it stays away from baby unit to avoid deviation of temperature detection.
- Place the parent unit more than 3 feet (1 meter) away from the baby units to avoid screeching noise.



CAUTION

- The default volume of your parent unit is level 4, and the maximum volume is level 7. If you experience high-pitched screeching noise from your baby monitor while positioning:
 - Make sure your baby unit and parent unit are more than 3 feet (1 meter) apart, OR
 - Lower the volume of your parent unit.

Operating range

The operating range of the baby monitor is up to 1000 feet (300 meters) outdoors. The actual operating range may vary depending on the environmental conditions and other interferences such as walls, doors and other obstructions.

3 USING THE BABY MONITOR

Power on or off the baby unit

- Slide the **ON/OFF** switch to **ON** to turn on the baby unit. The **ON/OFF** LED light turns on.
- Slide the **ON/OFF** switch to **OFF** to turn off the baby unit. The **ON/OFF** LED light turns off.

Power on or off the parent unit

- Press **and hold POWER** to turn on the parent unit. The screen turns on.
- Press **and hold POWER** again to turn off the parent unit. The screen turns off.

Turn on or off the parent unit screen

You can turn on or off the parent unit screen without powering off the parent unit. You can still hear sound from the baby units.

- Press **and hold LCD ON/OFF** on the parent unit to turn off the screen.
- Press any keys on the parent unit to turn on the screen again.

Adjust speaker volume

For parent unit:

- Press **VOL** or **VOL** on the parent unit at any time when viewing images.

For baby unit:

The baby unit speaker volume determines the lullaby volume and talkback volume transmitted from parent unit. It can be adjusted in the parent unit.

- Press **MENU** when the parent unit is idle.
- Press **▼** or **▲** to choose **Volume on CAM**, then press **SELECT**.
- Press **▼** or **▲** to choose the desired volume level. Level 1 is the softest while Level 5 is the loudest. Then, press **SELECT** to confirm your selection.

NOTE

- Volume adjustment with the parent unit menu is available in **Single CAM** and **Patrol** mode only.

3 USING THE BABY MONITOR (Con't)

Lullaby

The baby monitor has five lullabies and four soothing sounds for you to comfort your baby. You can play lullabies or soothing sounds on the baby unit by controlling remotely with the parent unit.

To play lullabies:

- Press **MENU** when the parent unit is idle.
- Press **▼** or **▲** to choose **Lullaby on CAM**, then press **SELECT**.
- Press **▼** or **▲** to choose **Play Melodies**, then press **SELECT**.
- Press **▼** or **▲** to choose a lullaby, or choose **Play All**, then press **SELECT**.
 - If **Play All** is selected, the five lullabies will be played one after the other, until all of them are played.
- When the desired lullaby is selected, press **▼** or **▲** to choose **Play**, then press **SELECT**.

To play soothing sounds:

- Press **MENU** when the parent unit is idle.
- Press **▼** or **▲** to choose **Lullaby on CAM**, then press **SELECT**.
- Press **▼** or **▲** to choose **Play Soothing Sounds**, then press **SELECT**.
- Press **▼** or **▲** to choose a soothing sound, then press **SELECT**.
- Press **▼** or **▲** to choose **Play**, then press **SELECT**.

NOTES

- Lullaby playback control is available in **Single CAM** and **Patrol** mode only.
- The lullaby playback on the baby unit will be paused when receiving talkback from the parent unit.

To stop lullabies or soothing sounds:

- Press **MENU** when the parent unit is idle.
- Press **▼** or **▲** to choose **Lullaby on CAM**, then press **SELECT**.
- Press **▼** or **▲** to choose **Stop**, then press **SELECT**.

To set auto timer for lullabies:

While the baby unit is playing a lullaby or soothing sound, the auto timer feature automatically stops the lullaby or soothing sound after playing for 15/30/45/60 minutes. You can set auto timer for lullabies with the parent unit.

- Press **MENU** when the parent unit is idle.
- Press **▼** or **▲** to choose **Lullaby on CAM**, then press **SELECT**.
- Press **▼** or **▲** to choose **Auto Timer**, then press **SELECT**.
- Press **▼** or **▲** to choose the desired lullabies duration, then press **SELECT** to confirm your selection.

After 15/30/45/60 minutes, the lullaby or soothing sound will stop automatically.

Set the language

You can select a language (English, French or Spanish) to be used in all screen displays.

- Press **MENU** when the parent unit is idle.
- Press **▼** or **▲** to choose **Language**, then press **SELECT**.
- Press **▼** or **▲** to choose **English**, **Français** or **Español**, then press **SELECT** to confirm your selection.

Adjust LCD brightness

You can change the brightness of the parent unit screen from **Level 1** to **Level 5**. The LCD brightness is preset to **Level 3**.

- Press **MENU** when the parent unit is idle.
- Press **▼** or **▲** to choose **LCD**, then press **SELECT**.
- Press **SELECT** again to choose **Brightness**.
- Press **▼** or **▲** to choose the desired level of brightness, then press **SELECT** to confirm your selection.

Turn on and off the dim mode

The dim mode is preset to on to help you save the parent unit power. Your parent unit display will dim automatically after 10 minutes of inactivity, in which there is neither key pressed nor alert received from the baby unit.

- Press **MENU** when the parent unit is idle.
- Press **▼** or **▲** to choose **LCD**, then press **SELECT**.
- Press **▼** or **▲** to choose **Dim mode**, then press **SELECT**.
- Press **▼** or **▲** to choose **On** or **Off**, then press **SELECT** to confirm your selection.

NOTE

- While the screen is dimmed, any keypress or alert message will trigger the screen to return to the preset brightness level. After 10 minutes of inactivity, it will dim again.

Monitoring mode * for VM5251-2 only

Every time the parent unit is turned on, it displays a baby unit in **Single CAM** mode. If there are two baby units in your system, you can also monitor your baby in **Patrol** or **Split** mode.

Single CAM	The screen displays image of a single baby unit in full screen.
Patrol	A single cam view that transitions to a different baby unit every 10 seconds.
Split	The screen displays all baby units.

You can choose the desired monitoring mode.

- Press **MENU** when the parent unit is idle.
- Press **▼** or **▲** to choose **Monitoring Mode**, then press **SELECT**.
- Press **▼** or **▲** to choose **Single CAM**, **Patrol** or **Split**, then press **SELECT**.

In Single CAM or Patrol mode:

- Press **VIEW** to view the next baby unit.

In Split mode:

- Press **<** or **>** to select a baby unit.
- Press **Q** or **VIEW** to view the selected baby unit temporarily in **Single CAM** mode. It returns to **Split** mode after 10 seconds.

NOTE

- If the volume of the parent unit is not muted:
 - In **Single CAM** or **Patrol** mode, you hear the sound from the baby unit being viewed.
 - In **Split** mode, you hear the sound from the selected baby unit.



Adjust the sound sensitivity of the baby unit

You can choose to hear sounds from the baby unit all the time, or to hear sounds that exceed a certain level. You can use the parent unit to adjust the microphone sensitivity of your baby unit. The higher the sensitivity level, the more sensitive the baby unit is in detecting sounds for transmitting to the parent unit. The VOX sensitivity level is preset to **HIGHEST**.

VOX SENSITIVITY LEVEL	Highest	High	Medium	Low	Lowest
DESCRIPTION	The parent unit speaker is constantly on, and you will hear all sounds (including background noises) from your baby's room.	The parent unit speaker turns on for soft babbling and louder sounds from your baby. It remains quiet when your baby sleeps soundly.	The parent unit speaker turns on for loud babbling and louder sounds from your baby. It remains quiet when your baby makes soft sounds.	The parent unit speaker turns on for crying and louder sounds from your baby. It remains quiet when your baby makes soft sounds.	The parent unit speaker turns on for loud crying or screeching sounds from your baby. It remains quiet when your baby makes soft sounds.

- Press **MENU** when the parent unit is idle.
- Press **▼** or **▲** to choose **VOX Sensitivity**, then press **SELECT**.
 - If you have two baby units, the system prompts you to choose the desired baby unit or both baby units, press **▼** or **▲** to choose **ALL CAM** or **CAM #**, then press **SELECT**.
- Press **▼** or **▲** to choose the desired sensitivity level, then press **SELECT** to confirm your selection.

NOTE

- As long as the **Sound-activated Screen** setting is **On**, the screen will turn on automatically when VOX sensitivity is triggered, despite it was off earlier.

TIPS

- You can adjust the baby unit placement to improve the sound detection.
- If you want to use a sound machine or white noise machine for natural white noise while using this baby monitor to check on your baby, you can:
 - Lower the volume of your sound machine or white noise machine; or
 - Lower the sensitivity level of your baby monitor to medium (level 3) or below. Default level is the highest level.

Turn on or off the sound activation

When sound activation is on, as long as no sound is detected within 50 seconds, the parent unit screen will turn off automatically to save power.

When your baby unit detects a sound, which exceeds the selected sensitivity level, the sound activation triggers the parent unit screen to turn on automatically. When no sound is detected within 50 seconds, the screen will be off again.

- Press **MENU** when the parent unit is idle.
- Press **▼** or **▲** to choose **Sound-activated Screen**, then press **SELECT**.
- Press **▼** or **▲** to choose **On** or **Off**, then press **SELECT** to confirm your selection. The screen returns to main menu.

NOTES

- Sound activation is available in **Single CAM** and **Patrol** mode only.
- If the sound sensitivity is set to **Highest**, the parent unit screen may remain on continuously even though sound activation is on. This depends on whether the baby unit detects any sounds.

Zoom

You can zoom in while viewing images from the baby unit in **Single CAM** and **Patrol** mode.

- Press **Q** to zoom in.
- Press **▼** or **▲** to move the zoomed image downward or upward.
- Press **<** or **>** to move the zoomed image leftward or rightward.
- Press **Q** again to zoom out.

Talk

You can use the **TALK** function of the parent unit to comfort your baby in **Single CAM** and **Patrol** mode.

- Press **and hold TALK** on the parent unit. The **TALK** light turns on.
- Speak towards the microphone on the parent unit. Your voice is broadcast to the baby unit.
- Release the **TALK** key to stop the broadcast.

NOTES

- The parent unit speaker is muted during voice broadcast. Sound transmission from the baby unit resumes after **TALK** is released.
- After around 20 seconds of sound re-transmission, the speaker returns to mute if you had set it to mute before pressing **TALK**.
- The baby unit's talkback volume can be adjusted via the parent unit menu.

Set alert tone

Low battery tone

You can set the parent unit to beep when the parent unit operates in low battery condition.

- Press **MENU** when the parent unit is idle.
- Press **▼** or **▲** to choose **Alert Tone**, then press **SELECT**.
- Press **SELECT** again to choose **Low Battery Tone**.
- Press **▼** or **▲** to choose **On** or **Off**, then press **SELECT** to confirm your selection.

No link alert

You can set the parent unit to beep when the link between the parent unit and the baby unit is lost.

- Press **MENU** when the parent unit is idle.
- Press **▼** or **▲** to choose **Alert Tone**, then press **SELECT**.
- Press **▼** or **▲** to choose **No Link Alert**, then press **SELECT**.
- Press **▼** or **▲** to choose **On** or **Off**, then press **SELECT** to confirm your selection.

Sound alert in split-view

You can turn on the sound alert feature so that, while in **Split** mode, the parent unit beeps and displays **Sound detected at CAM #** whenever the baby unit detects sounds.

- Press **MENU** when the parent unit is idle.
- Press **▼** or **▲** to choose **Alert Tone**, then press **SELECT**.
- Press **▼** or **▲** to choose **Sound Alert in Split-view**, then press **SELECT**.
- Press **▼** or **▲** to choose **On** or **Off**, then press **SELECT** to confirm your selection.

Document order number: 91-011851-030-100
© 2010 VTech Communications, Inc.
All rights reserved. 03/2010 VM5251X. Approval: C18_V17



Specifications are subject to change without notice.

Parent unit power adapter: Output: 5V DC @ 1A
Parent unit: 3.6V Ni-MH battery
Power requirements

Normal effective range
May vary according to environmental conditions at the time of use.
Maximum power allowed by FCC and IC: Actual operating range
(WGA 480x272 pixels)
5" Color LCD

Channels
32

Transmit frequency
Baby unit: 2405 - 2475 MHz
Parent unit: 2405 - 2475 MHz

Frequency control
Crystal controlled PLL synthesizer

Credits:
The *Background Noise* sound file was created by Caroline Ford, and is used under the Creative Commons license.
The *Stream Noise* sound file was created by Caroline Ford, and is used under the Creative Commons license.
The *Crickets At Night* sound file was created by Mike Koenig, and is used under the Creative Commons license.
The *Heert Beert* sound file was created by Zarabeden, and is used under the Creative Commons license.

TECHNICAL SPECIFICATIONS

</