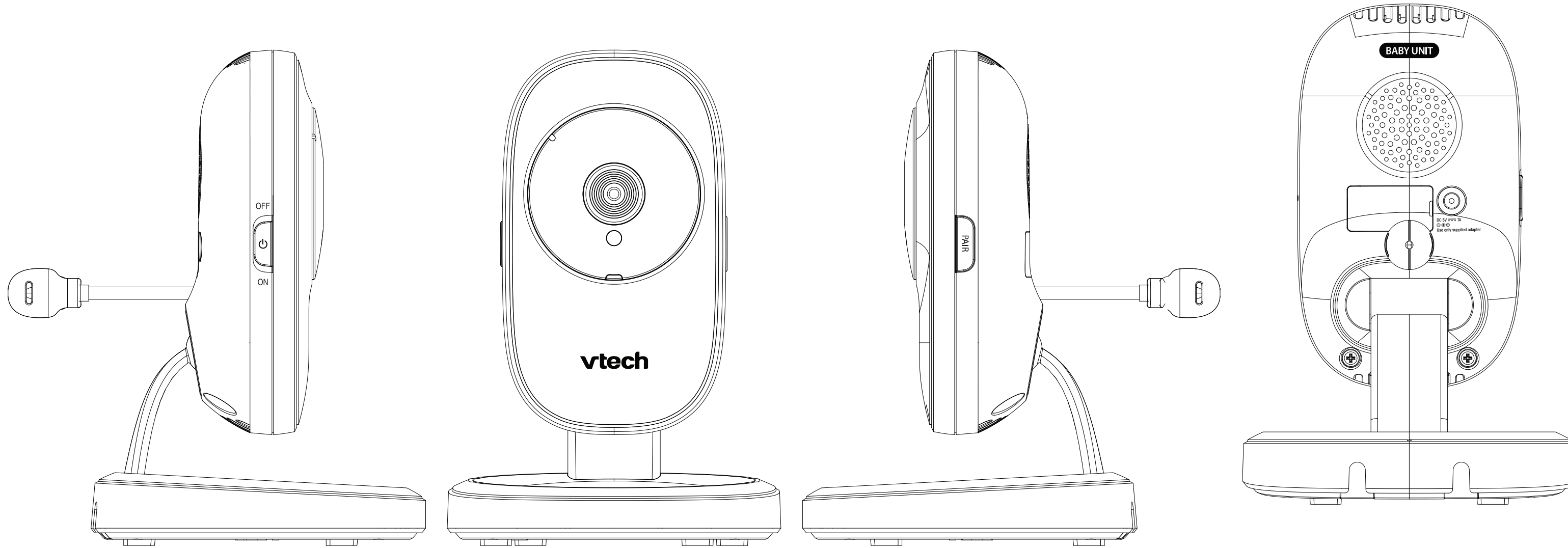
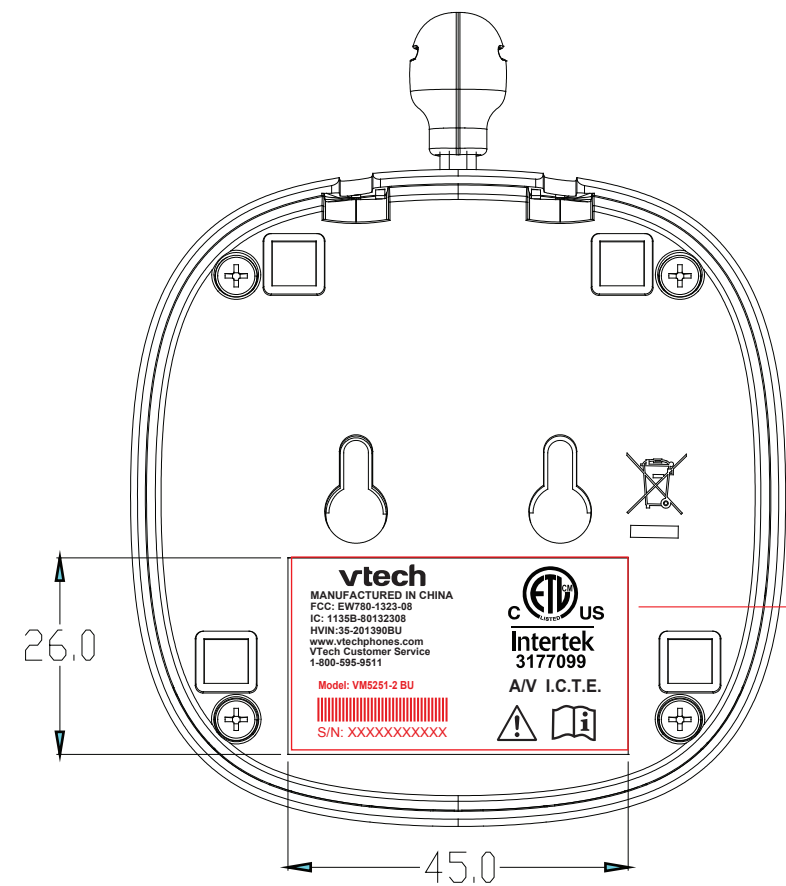


VM5251-X Engraving



BU



VM5251-X BU LBL

SIZE: 44.5X25.5,mm
50# UL Approved PET

