

APPENDIX B PLOTS OF THE SAR MEASUREMENTS

Plots of the measured SAR distributions inside the phantom are given in this Appendix for the “Lap Arm Held” and “Tablet” tested configurations. The spatial peak SAR values were assessed with the procedure described in this report.

Table 30: 2450 MHz DSSS Band SAR Measurement Plot Numbers

Plot 1	Lap Arm Held Position – Ant Aux – Pre-scan	CH#06
Plot 2	Lap Arm Held Position – Ant Main – Pre-scan	CH#06
Plot 3	Lap Arm Held Position – Ant Aux	CH#01
Plot 4	Lap Arm Held Position – Ant Aux	CH#06
Plot 5	Lap Arm Held Position – Ant Aux	CH#11
Z-Axis Graphs	Z-Axis graphs for Plots 3 to 5	
Plot 6	Lap Arm Held Position – Ant Main	CH#01
Plot 7	Lap Arm Held Position – Ant Main	CH#06
Plot 8	Lap Arm Held Position – Ant Main	CH#11
Z-Axis Graphs	Z-Axis graphs for Plots 6 – 8	
Plot 9	Tablet Position – Ant Aux	CH#06
Plot 10	Edge On Position – Ant Aux	CH#01
Plot 11	Edge On Position – Ant Aux	CH#06
Plot 12	Edge On Position – Ant Aux	CH#11
Z-Axis Graphs	Z-Axis graphs for Plots 10 – 12	
	WLAN with Bluetooth On	
Plot 13	Lap Arm Held Position With Blue tooth Ant Main	CH#11

Table 31: 2450 MHz OFDM Band SAR Measurement Plot Numbers

Plot 14	Lap Arm Held Position – Ant Aux	CH#06
Plot 15	Lap Arm Held Position – Ant Main	CH#06
Z-Axis Graphs	Z-Axis graphs for Plot 13 - 15	

Table 32: 5800 MHz OFDM Band SAR Measurement Plot Numbers

Plot 16	Lap Arm Held Position – Ant Aux – Pre-scan	CH#157
Plot 17	Lap Arm Held Position – Ant Main – Pre-scan	CH#157
Plot 18	Lap Arm Held Position – Ant Aux	CH#149
Plot 19	Lap Arm Held Position – Ant Aux	CH#157
Plot 20	Lap Arm Held Position – Ant Aux	CH#165
Z-Axis graphs	Z-Axis graphs for Plots 18 to 20	
Plot 21	Lap Arm Held Position – Ant Main	CH#149
Plot 22	Lap Arm Held Position – Ant Main	CH#157
Plot 23	Lap Arm Held Position – Ant Main	CH#165
Z-Axis graphs	Z-Axis graphs for Plots 21 to 23	
Plot 24	Tablet Position – Ant Main – Pre-scan	CH#157
Plot 25	Edge On Position – Ant Aux	CH#149
Plot 26	Edge On Position – Ant Aux	CH#157
Plot 27	Edge On Position – Ant Aux	CH#165
Z-Axis graphs	Z-Axis graphs for Plots 25 to 27	
	WLAN with Bluetooth On	
Plot 28	Lap Arm Held Position With Blue tooth - Ant Aux	CH#149
Plot 29	Lap Arm Held Position With Blue tooth - Ant Main	CH#165
Z-Axis graphs	Z-Axis graphs for Plots 28 to 29	

Table 33: Validation Plot

Plot 30	Validation 2450 MHz 6 th September 2006
Plot 31	Validation 2450 MHz 7 th September 2006
Plot 32	Validation 5800 MHz 15 th September 2006
Z-Axis graphs	Z-Axis graphs for Plots 30 to 32

Test Date: 07 September 2006

File Name: [Arm Held DSSS 2450 MHz Antenna Aux Bluetooth On Prescan 07-09-06.da4](#)

DUT: Fujitsu Tablet Chalice with Golan 11abg and Bluetooth; Type: 3945 ABG; Serial: Host: R6700003

* Communication System: DSSS 2450 MHz; Frequency: 2437 MHz; Duty Cycle: 1:1

* Medium parameters used: $\sigma = 1.92466$ mho/m, $\epsilon_r = 50.9628$; $\rho = 1000$ kg/m³

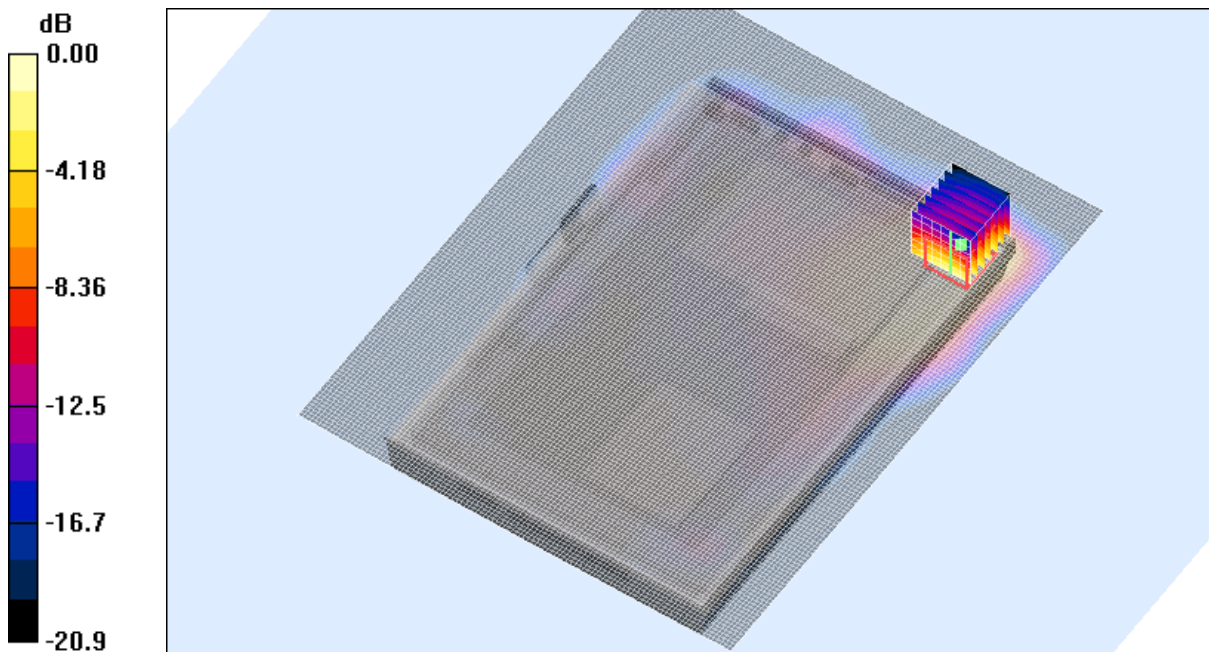
- Electronics: DAE3 Sn442; Probe: ET3DV6 - SN1377; ConvF(4.2, 4.2, 4.2)

- Phantom: Flat Phantom 10.1; Serial: P 10.1; Phantom section: Flat 2.2 Section

Channel 6 Bluetooth at 2441 MHz Test/Area Scan (111x141x1): Measurement grid:

dx=20mm, dy=20mm

Maximum value of SAR (interpolated) = 0.712 mW/g



0 dB = 0.516mW/g

SAR MEASUREMENT PLOT 1

Ambient Temperature
Liquid Temperature
Humidity

20.3 Degrees Celsius
20.0 Degrees Celsius
41.0 %

Test Date: 07 September 2006

File Name: [Arm Held DSSS 2450 MHz Antenna Main Bluetooth Off Prescan 07-09-06.da4](#)

DUT: Fujitsu Tablet Chalice with Golan 11abg and Bluetooth; Type: 3945 ABG; Serial: Host: R6700003

* Communication System: DSSS 2450 MHz; Frequency: 2437 MHz; Duty Cycle: 1:1

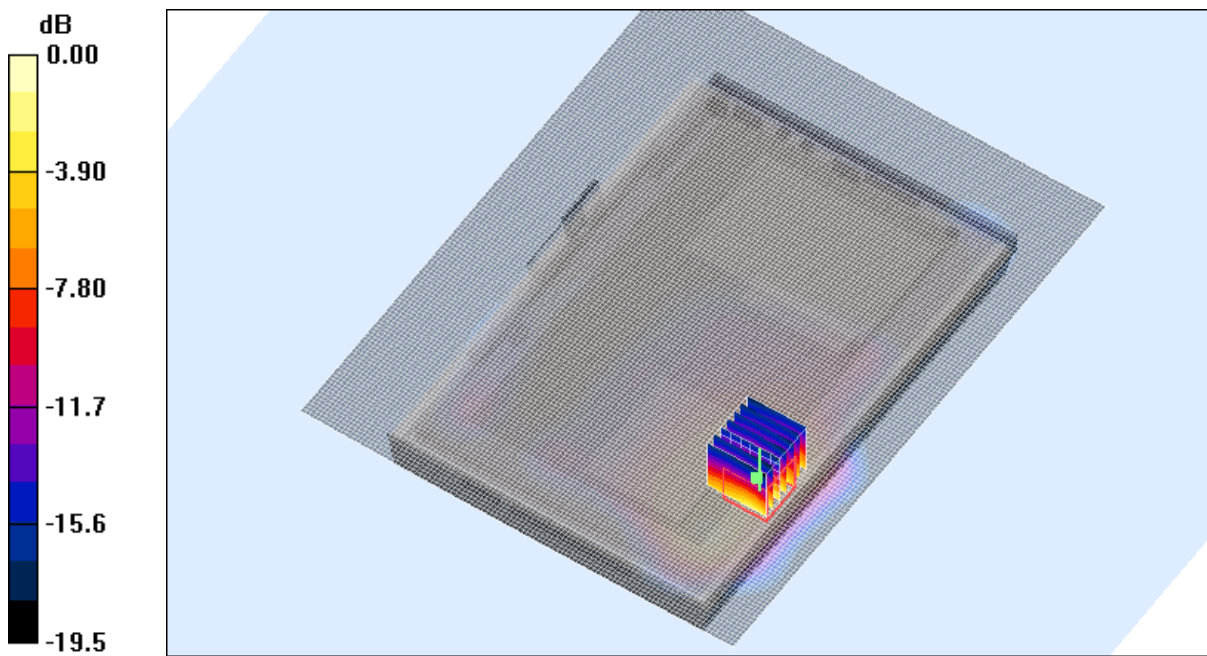
* Medium parameters used: $\sigma = 1.92466$ mho/m, $\epsilon_r = 50.9628$; $\rho = 1000$ kg/m³

- Electronics: DAE3 Sn442; Probe: ET3DV6 - SN1377; ConvF(4.2, 4.2, 4.2)

- Phantom: Flat Phantom 10.1; Serial: P 10.1; Phantom section: Flat 2.2 Section

Channel 6 Test/Area Scan (111x141x1): Measurement grid: dx=20mm, dy=20mm

Maximum value of SAR (interpolated) = 0.507 mW/g



0 dB = 0.583mW/g

SAR MEASUREMENT PLOT 2

Ambient Temperature
Liquid Temperature
Humidity

20.3 Degrees Celsius
20.0 Degrees Celsius
41.0 %

Test Date: 06 September 2006

File Name: [Arm Held DSSS 2450 MHz Antenna Aux Bluetooth Off 06-09-06.da4](#)

DUT: Fujitsu Tablet Chalice with Golan 11abg and Bluetooth; Type: 3945 ABG; Serial: Host: R6700003

* Communication System: DSSS 2450 MHz; Frequency: 2412 MHz; Duty Cycle: 1:1

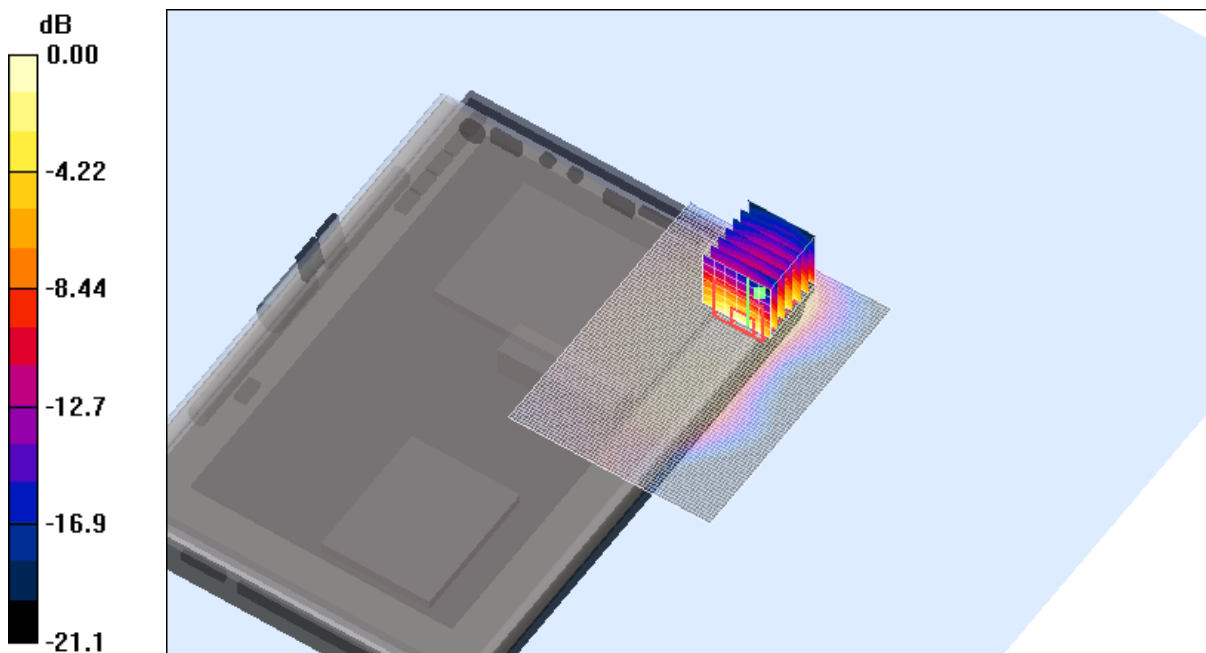
* Medium parameters used: $\sigma = 1.88656$ mho/m, $\epsilon_r = 50.8563$; $\rho = 1000$ kg/m³

- Electronics: DAE3 Sn442; Probe: ET3DV6 - SN1377; ConvF(4.2, 4.2, 4.2)

- Phantom: Flat Phantom 10.1; Serial: P 10.1; Phantom section: Flat 2.2 Section

Channel 1 Test/Area Scan (61x81x1): Measurement grid: dx=15mm, dy=15mm
 Maximum value of SAR (interpolated) = 0.321 mW/g

Channel 1 Test/Zoom Scan (7x7x7)/Cube 0: Measurement grid: dx=5mm, dy=5mm, dz=5mm
 Reference Value = 12.9 V/m; Power Drift = -0.089 dB
 Peak SAR (extrapolated) = 0.603 W/kg
SAR(1 g) = 0.242 mW/g; SAR(10 g) = 0.130 mW/g
 Maximum value of SAR (measured) = 0.269 mW/g



0 dB = 0.269mW/g

SAR MEASUREMENT PLOT 3

Ambient Temperature
 Liquid Temperature
 Humidity

20.2 Degrees Celsius
 19.8 Degrees Celsius
 43.0 %

Test Date: 06 September 2006

File Name: [Arm Held DSSS 2450 MHz Antenna Aux Bluetooth Off 06-09-06.da4](#)

DUT: Fujitsu Tablet Chalice with Golan 11abg and Bluetooth; Type: 3945 ABG; Serial: Host: R6700003

* Communication System: DSSS 2450 MHz; Frequency: 2437 MHz; Duty Cycle: 1:1

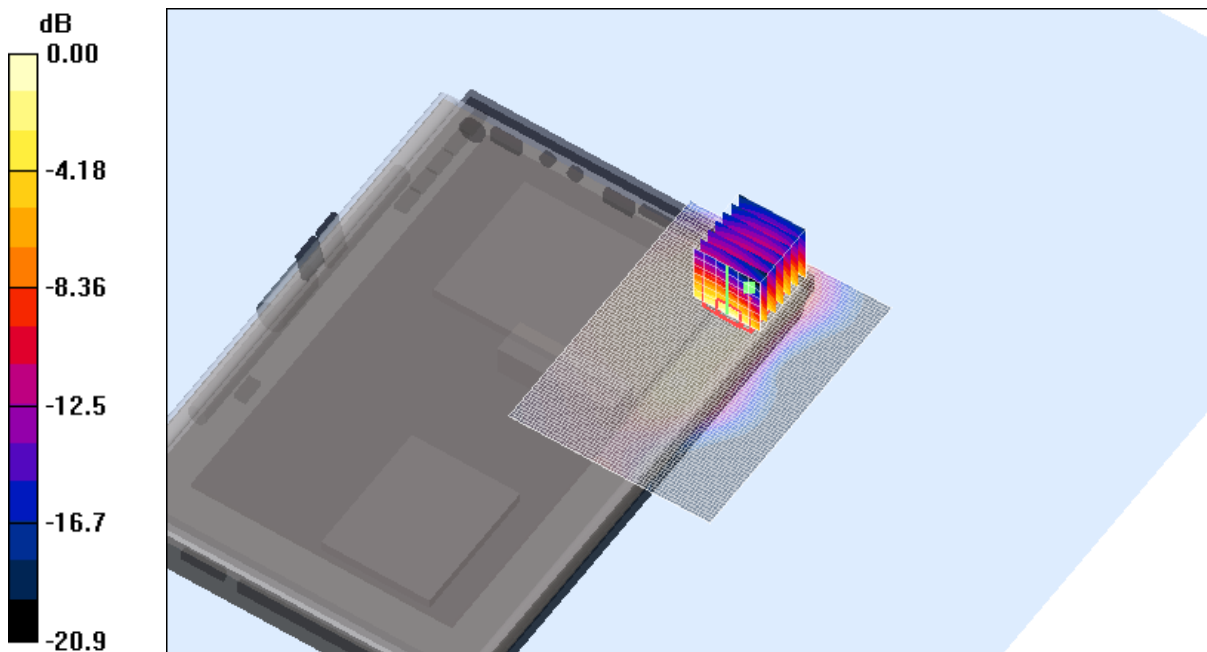
* Medium parameters used: $\sigma = 1.92741$ mho/m, $\epsilon_r = 50.7612$; $\rho = 1000$ kg/m³

- Electronics: DAE3 Sn442; Probe: ET3DV6 - SN1377; ConvF(4.2, 4.2, 4.2)

- Phantom: Flat Phantom 10.1; Serial: P 10.1; Phantom section: Flat 2.2 Section

Channel 6 Test/Area Scan (61x81x1): Measurement grid: dx=15mm, dy=15mm
 Maximum value of SAR (interpolated) = 0.575 mW/g

Channel 6 Test/Zoom Scan (7x7x7)/Cube 0: Measurement grid: dx=5mm, dy=5mm, dz=5mm
 Reference Value = 14.1 V/m; Power Drift = -0.496 dB
 Peak SAR (extrapolated) = 1.08 W/kg
SAR(1 g) = 0.440 mW/g; SAR(10 g) = 0.228 mW/g
 Maximum value of SAR (measured) = 0.481 mW/g



0 dB = 0.481mW/g

SAR MEASUREMENT PLOT 4

Ambient Temperature
 Liquid Temperature
 Humidity

20.2 Degrees Celsius
 19.8 Degrees Celsius
 43.0 %

Test Date: 06 September 2006

File Name: [Arm Held DSSS 2450 MHz Antenna Aux Bluetooth Off 06-09-06.da4](#)

DUT: Fujitsu Tablet Chalice with Golan 11abg and Bluetooth; Type: 3945 ABG; Serial: Host: R6700003

* Communication System: DSSS 2450 MHz; Frequency: 2462 MHz; Duty Cycle: 1:1

* Medium parameters used: $\sigma = 1.96911$ mho/m, $\epsilon_r = 50.6287$; $\rho = 1000$ kg/m³

- Electronics: DAE3 Sn442; Probe: ET3DV6 - SN1377; ConvF(4.2, 4.2, 4.2)

- Phantom: Flat Phantom 10.1; Serial: P 10.1; Phantom section: Flat 2.2 Section

Channel 11 Test/Area Scan (61x81x1): Measurement grid: dx=15mm, dy=15mm

Maximum value of SAR (interpolated) = 0.659 mW/g

Channel 11 Test/Zoom Scan (7x7x7)/Cube 0: Measurement grid: dx=5mm, dy=5mm,

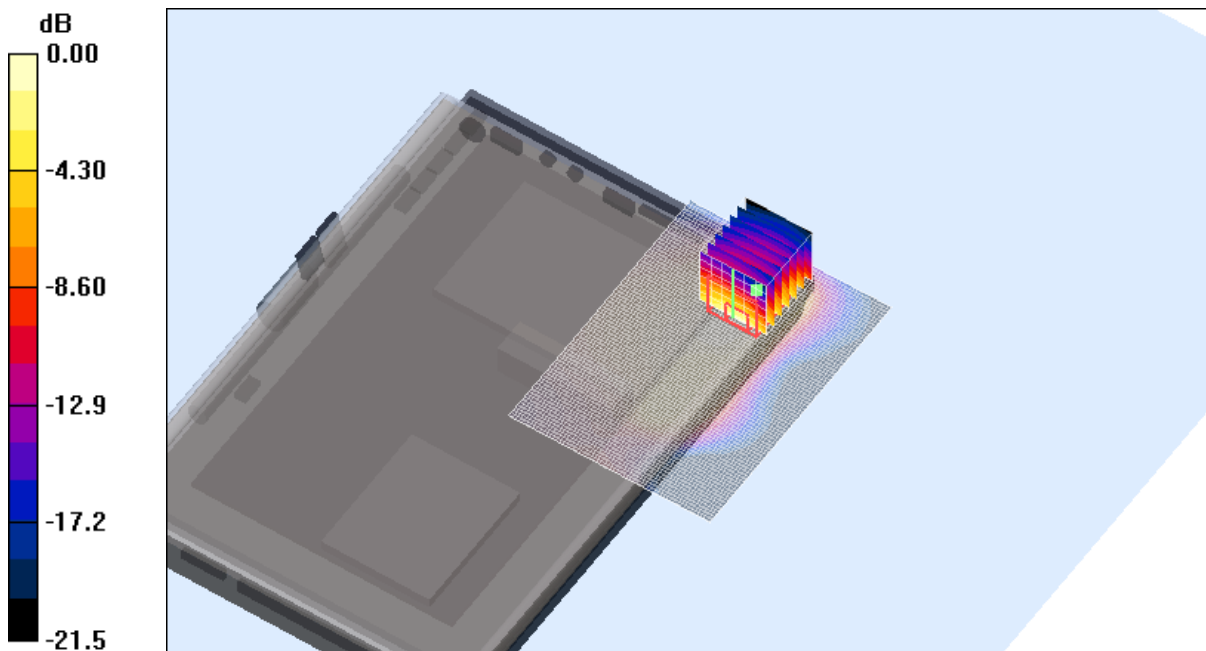
dz=5mm

Reference Value = 17.2 V/m; Power Drift = -0.310 dB

Peak SAR (extrapolated) = 1.23 W/kg

SAR(1 g) = 0.464 mW/g; SAR(10 g) = 0.249 mW/g

Maximum value of SAR (measured) = 0.537 mW/g

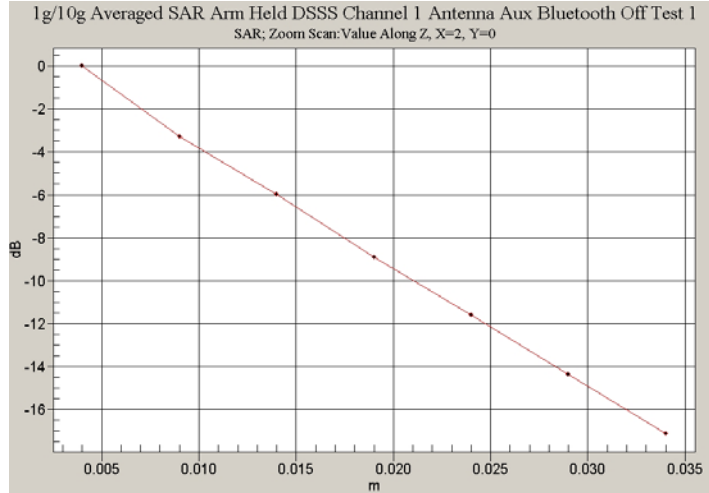


SAR MEASUREMENT PLOT 5

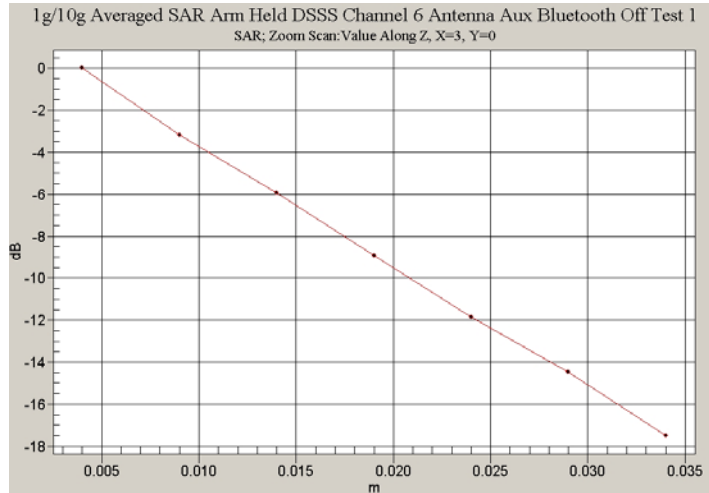
Ambient Temperature
Liquid Temperature
Humidity

20.2 Degrees Celsius
19.8 Degrees Celsius
43.0 %

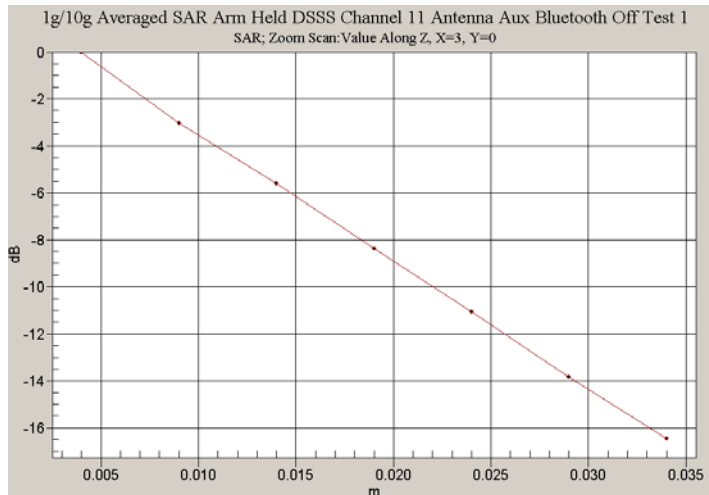
Z-Axis Graph for Plot 3



Z-Axis Graph for Plot 4



Z-Axis Graph for Plot 5



Test Date: 06 September 2006

File Name: [Arm Held DSSS 2450 MHz Antenna Main Bluetooth Off 06-09-06.da4](#)

DUT: Fujitsu Tablet Chalice with Golan 11abg and Bluetooth; Type: 3945 ABG; Serial: Host: R6700003

* Communication System: DSSS 2450 MHz; Frequency: 2412 MHz; Duty Cycle: 1:1

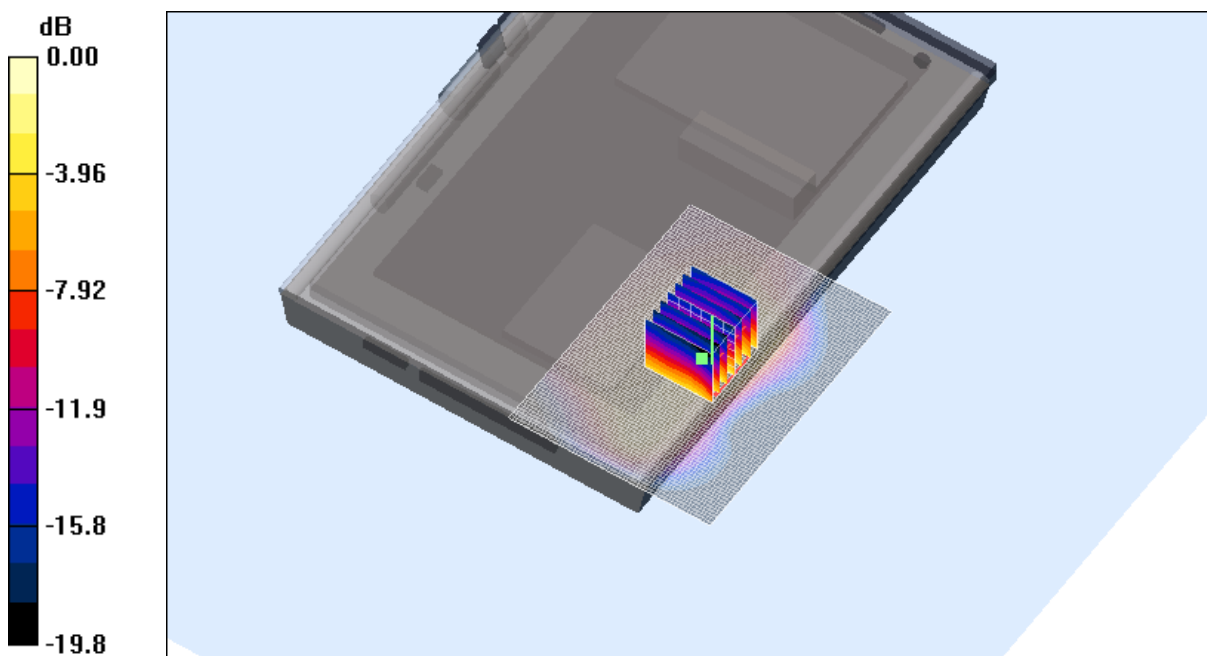
* Medium parameters used: $\sigma = 1.88656$ mho/m, $\epsilon_r = 50.8563$; $\rho = 1000$ kg/m³

- Electronics: DAE3 Sn442; Probe: ET3DV6 - SN1377; ConvF(4.2, 4.2, 4.2)

- Phantom: Flat Phantom 10.1; Serial: P 10.1; Phantom section: Flat 2.2 Section

Channel 1 Test/Area Scan (61x81x1): Measurement grid: dx=15mm, dy=15mm
Maximum value of SAR (interpolated) = 0.254 mW/g

Channel 1 Test/Zoom Scan (7x7x7)/Cube 0: Measurement grid: dx=5mm, dy=5mm, dz=5mm
Reference Value = 10.2 V/m; Power Drift = -0.086 dB
Peak SAR (extrapolated) = 0.550 W/kg
SAR(1 g) = 0.236 mW/g; SAR(10 g) = 0.113 mW/g
Maximum value of SAR (measured) = 0.265 mW/g



0 dB = 0.265mW/g

SAR MEASUREMENT PLOT 6

Ambient Temperature
Liquid Temperature
Humidity

20.2 Degrees Celsius
19.8 Degrees Celsius
43.0 %

Test Date: 06 September 2006

File Name: [Arm Held DSSS 2450 MHz Antenna Main Bluetooth Off 06-09-06.da4](#)

DUT: Fujitsu Tablet Chalice with Golan 11abg and Bluetooth; Type: 3945 ABG; Serial: Host: R6700003

* Communication System: DSSS 2450 MHz; Frequency: 2437 MHz; Duty Cycle: 1:1

* Medium parameters used: $\sigma = 1.92741$ mho/m, $\epsilon_r = 50.7612$; $\rho = 1000$ kg/m³

- Electronics: DAE3 Sn442; Probe: ET3DV6 - SN1377; ConvF(4.2, 4.2, 4.2)

- Phantom: Flat Phantom 10.1; Serial: P 10.1; Phantom section: Flat 2.2 Section

Channel 6 Test/Area Scan (61x81x1): Measurement grid: dx=15mm, dy=15mm

Maximum value of SAR (interpolated) = 0.465 mW/g

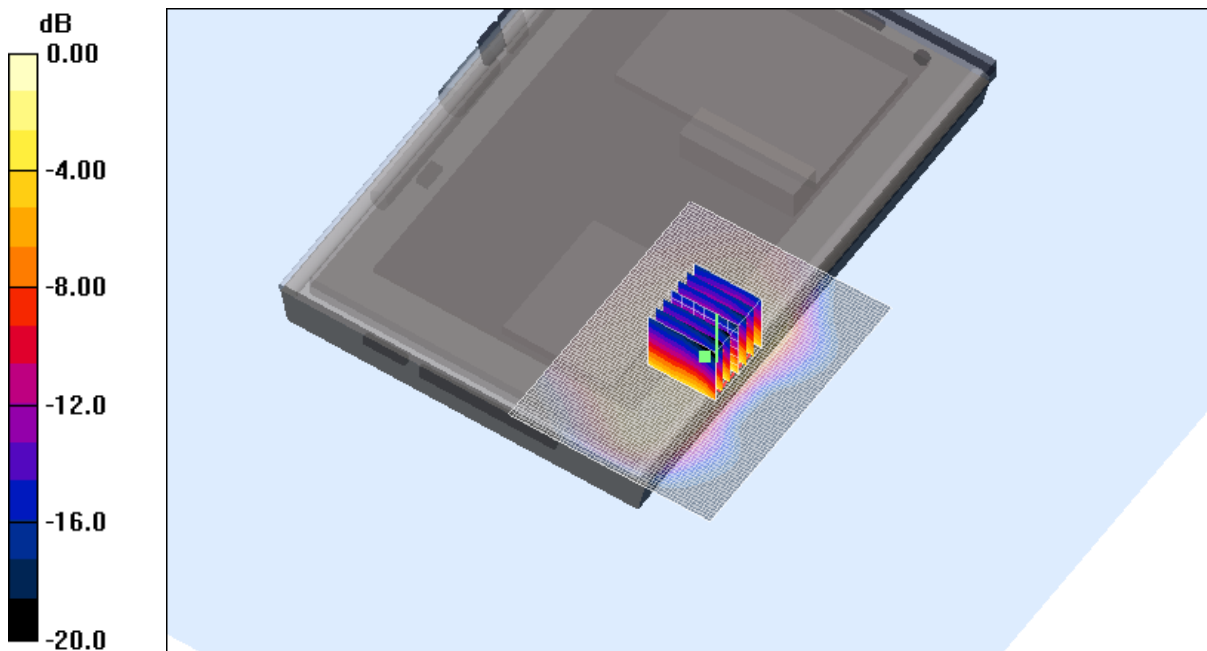
Channel 6 Test/Zoom Scan (7x7x7)/Cube 0: Measurement grid: dx=5mm, dy=5mm, dz=5mm

Reference Value = 14.4 V/m; Power Drift = -0.190 dB

Peak SAR (extrapolated) = 1.09 W/kg

SAR(1 g) = 0.463 mW/g; SAR(10 g) = 0.221 mW/g

Maximum value of SAR (measured) = 0.513 mW/g



0 dB = 0.513mW/g

SAR MEASUREMENT PLOT 7

Ambient Temperature
Liquid Temperature
Humidity

20.2 Degrees Celsius
19.8 Degrees Celsius
43.0 %

Test Date: 06 September 2006

File Name: [Arm Held DSSS 2450 MHz Antenna Main Bluetooth Off 06-09-06.da4](#)

DUT: Fujitsu Tablet Chalice with Golan 11abg and Bluetooth; Type: 3945 ABG; Serial: Host: R6700003

* Communication System: DSSS 2450 MHz; Frequency: 2462 MHz; Duty Cycle: 1:1

* Medium parameters used: $\sigma = 1.96911$ mho/m, $\epsilon_r = 50.6287$; $\rho = 1000$ kg/m³

- Electronics: DAE3 Sn442; Probe: ET3DV6 - SN1377; ConvF(4.2, 4.2, 4.2)

- Phantom: Flat Phantom 10.1; Serial: P 10.1; Phantom section: Flat 2.2 Section

Channel 11 Test/Area Scan (61x81x1): Measurement grid: dx=15mm, dy=15mm

Maximum value of SAR (interpolated) = 0.595 mW/g

Channel 11 Test/Zoom Scan (7x7x7)/Cube 0: Measurement grid: dx=5mm, dy=5mm,

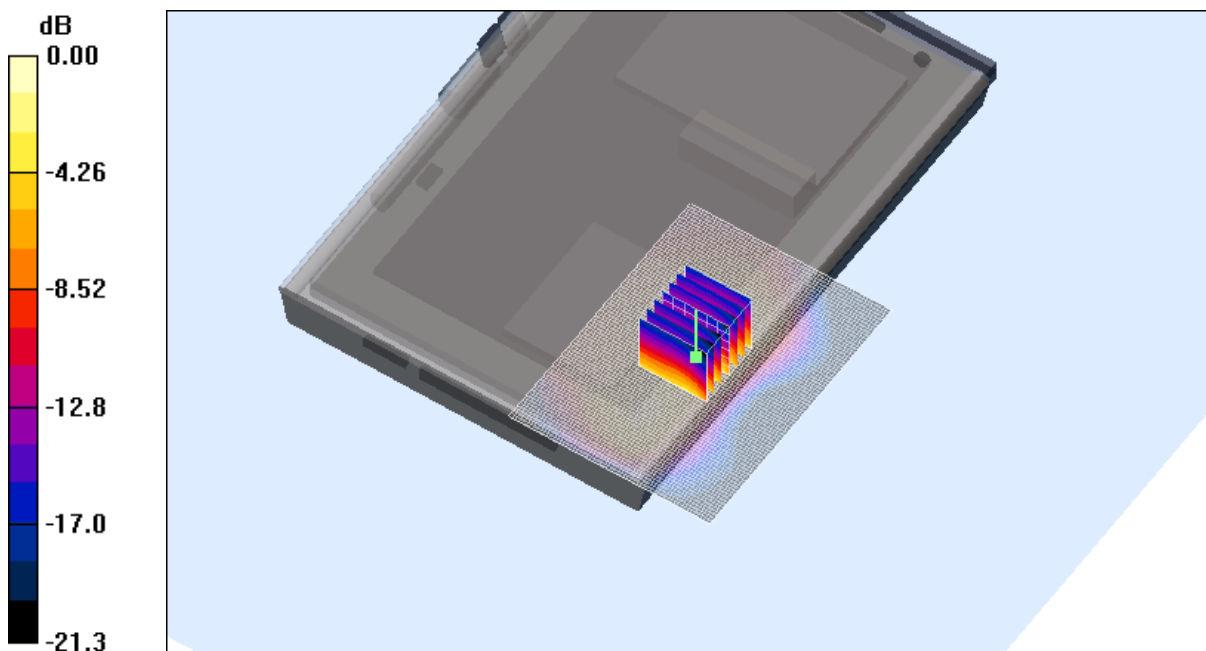
dz=5mm

Reference Value = 13.5 V/m; Power Drift = -0.240 dB

Peak SAR (extrapolated) = 1.18 W/kg

SAR(1 g) = 0.491 mW/g; SAR(10 g) = 0.232 mW/g

Maximum value of SAR (measured) = 0.535 mW/g



0 dB = 0.535mW/g

SAR MEASUREMENT PLOT 8

Ambient Temperature

20.2 Degrees Celsius

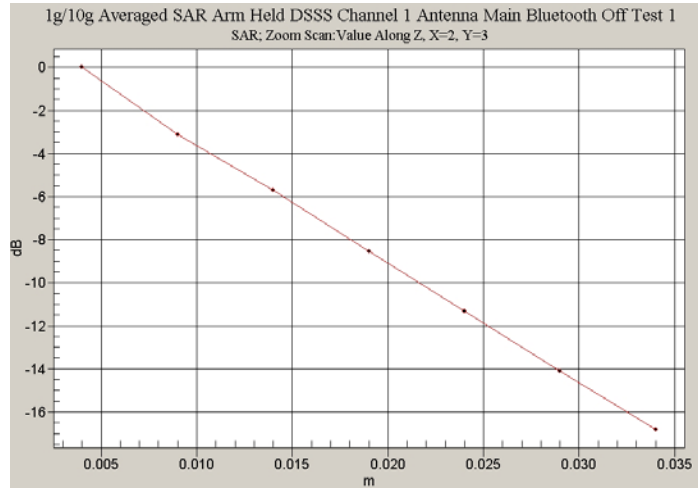
Liquid Temperature

19.8 Degrees Celsius

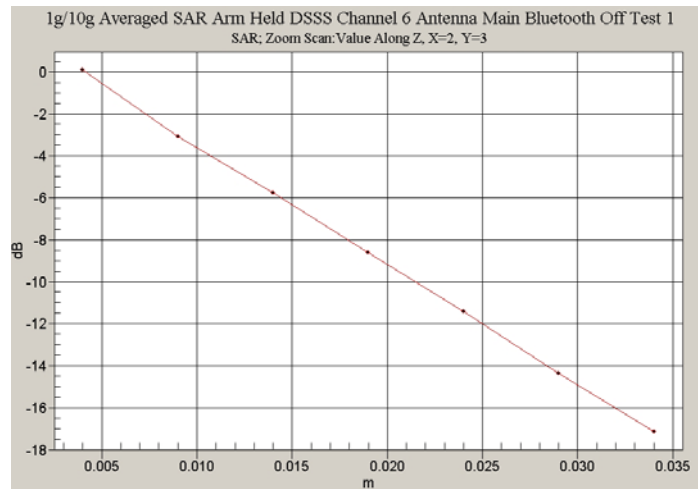
Humidity

43.0 %

Z-Axis Graph for Plot 6



Z-Axis Graph for Plot 7



Z-Axis Graph for Plot 8

