

4. SYSTEM SCHEMATICS

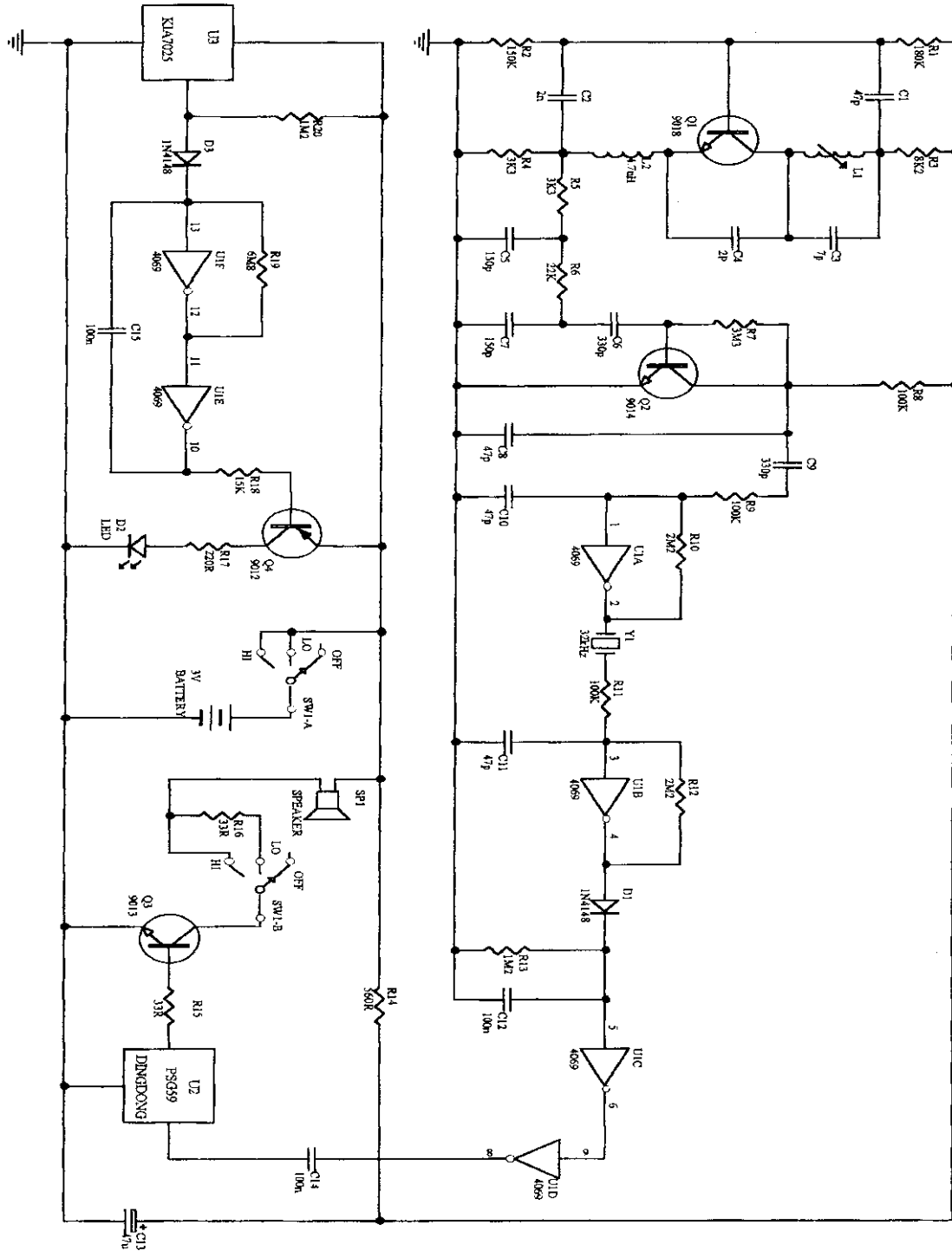


Figure 4.1 System Schematics