



SRAM®



Eagle® AXS™ Systems



Eagle AXS Systems
User Manual

Eagle AXS Systems
User Manual

Eagle AXS Systems
User Manual

Eagle AXS Systems
User Manual

Eagle AXS Systems
User Manual

Eagle AXS Systems
User Manual

Eagle AXS Systems
User Manual

Eagle AXS Systems
User Manual

Eagle AXS Systems
User Manual



SRAM®

95-3018-020-000 Rev A
© 2019 SRAM, LLC

SAFETY INSTRUCTIONS

You must read and understand the Safety Instructions document included with your product before proceeding with installation. Improperly installed components are extremely dangerous and could result in severe and/or fatal injuries. If you have any questions about the installation of these components, consult a qualified bicycle mechanic. This document is also available on www.sram.com.

SICHERHEITSHINWEISE

Bevor Sie mit der Installation beginnen, müssen Sie die Ihrem Produkt beiliegenden Sicherheitshinweise gelesen und verstanden haben. Falsch montierte Komponenten stellen eine erhebliche Gefahr dar und könnten zu schweren und/oder tödlichen Verletzungen führen. Wenn Sie Fragen zur Montage dieser Komponenten haben, wenden Sie sich an einen qualifizierten Fahrradmechaniker. Dieses Dokument steht auch unter www.sram.com zur Verfügung.

INSTRUCCIONES DE SEGURIDAD

Antes de proceder a la instalación de este producto, es necesario que lea y entienda perfectamente el documento de instrucciones de seguridad que lo acompaña. Unos componentes mal instalados suponen un enorme peligro y pueden ocasionar lesiones graves o incluso mortales. Si tiene alguna pregunta acerca de la instalación de estos componentes, consulte con un mecánico de bicicletas cualificado. Este documento está disponible también en la dirección www.sram.com.

CONSIGNES DE SÉCURITÉ

Vous devez lire et comprendre le document consacré aux instructions de sécurité livré avec votre produit avant de procéder à son installation. Des composants installés de manière inappropriée sont extrêmement dangereux et peuvent provoquer des blessures graves, voire mortelles. Pour toute question concernant l'installation de ces composants, consultez un mécanicien vélo professionnel. Ce document est également disponible sur www.sram.com.

ISTRUZIONI DI SICUREZZA

L'utente deve leggere e comprendere il documento di Istruzioni di sicurezza accluso al prodotto, prima di procedere all'installazione. I componenti, se installati in modo improprio, sono estremamente pericolosi e potrebbero essere all'origine di ferite gravi e/o mortali. In caso di domande sull'installazione di questi componenti, consultare un meccanico per biciclette qualificato. Il presente documento è disponibile anche sul sito www.sram.com.

VEILIGHEIDSinSTRUCTIES

Lees en begrijp het document met veiligheidsinstructies dat met uw product is meegeleverd voordat u met de installatie begint. Verkeerd geïnstalleerde componenten kunnen buitengewoon gevaarlijk zijn en kunnen leiden tot ernstige en/of fatale verwondingen. Als u vragen hebt over de installatie van deze componenten, raadpleeg een vakbekwame fietsenmaker. Dit document is tevens beschikbaar op www.sram.com.

INSTRUÇÕES DE SEGURANÇA

Tem que ler e compreender o documento de Instruções de Segurança, incluído com o seu produto, antes de proceder com a instalação. Os componentes instalados de forma incorrecta são extremamente perigosos e poderão resultar em lesões graves e/ou fatais. Se tiver quaisquer perguntas sobre a instalação destes componentes, consulte um mecânico de bicicletas qualificado. Este documento também está disponível em www.sram.com.

安全にお使いいただくために

取り付けを開始する前に、製品に付属している安全に関する記述を必ず読み、内容を理解してください。コンポーネントを間違っ取り付けると、非常に危険な状態になり、その結果、重度または致命的な障害を引き起こすことがあります。これらのコンポーネントの取り付けに関して質問がある場合は、正規の自転車整備士にご相談ください。このマニュアルは www.sram.com にも掲載されています。

安全说明

进行安装之前，您必须阅读并理解产品随附的安全说明书。部件安装不当是极为危险的，可能导致严重甚至致命的人身伤害。如果您对部件安装有任何疑问，请咨询专业自行车技工。本文件也发布在 www.sram.com 上。

NOTICE

This manual is a complete system installation guide, from unboxing each component to heading out for a ride. Complete the installation and setup in the order described in the manual. Do not begin a new section before completing the previous sections.

NOTICE

This manual is a complete system installation guide, from unboxing each component to heading out for a ride. Complete the installation and setup in the order described in the manual. Do not begin a new section before completing the previous sections.

NOTICE

This manual is a complete system installation guide, from unboxing each component to heading out for a ride. Complete the installation and setup in the order described in the manual. Do not begin a new section before completing the previous sections.

NOTICE

This manual is a complete system installation guide, from unboxing each component to heading out for a ride. Complete the installation and setup in the order described in the manual. Do not begin a new section before completing the previous sections.

NOTICE

This manual is a complete system installation guide, from unboxing each component to heading out for a ride. Complete the installation and setup in the order described in the manual. Do not begin a new section before completing the previous sections.

NOTICE

This manual is a complete system installation guide, from unboxing each component to heading out for a ride. Complete the installation and setup in the order described in the manual. Do not begin a new section before completing the previous sections.

NOTICE

This manual is a complete system installation guide, from unboxing each component to heading out for a ride. Complete the installation and setup in the order described in the manual. Do not begin a new section before completing the previous sections.

NOTICE

This manual is a complete system installation guide, from unboxing each component to heading out for a ride. Complete the installation and setup in the order described in the manual. Do not begin a new section before completing the previous sections.

NOTICE

This manual is a complete system installation guide, from unboxing each component to heading out for a ride. Complete the installation and setup in the order described in the manual. Do not begin a new section before completing the previous sections.

Tools and Supplies

8

A Werkzeuge und Material
B Herramientas y accesorios
C Outils et accessoires

D Strumenti e forniture
E Gereedschap en benodigdheden
F Ferramentas e Produtos a Usar

G ツールおよび付属品
H 工具和用品

SRAM® AXS™ App

9

A SRAM AXS App
B SRAM AXS App
C SRAM AXS App

D SRAM AXS App
E SRAM AXS App
F SRAM AXS App

G SRAM AXS App
H SRAM AXS App

Eagle® AXS™ Controller

10

A Eagle AXS Controller
B Eagle AXS Controller
C Eagle AXS Controller

D Eagle AXS Controller
E Eagle AXS Controller
F Eagle AXS Controller

G Eagle AXS Controller
H Eagle AXS Controller

Eagle® AXS™ Rear Derailleur

11

A Eagle AXS Rear Derailleur
B Eagle AXS Rear Derailleur
C Eagle AXS Rear Derailleur

D Eagle AXS Rear Derailleur
E Eagle AXS Rear Derailleur
F Eagle AXS Rear Derailleur

G Eagle AXS Rear Derailleur
H Eagle AXS Rear Derailleur

SRAM® Battery

12

A SRAM Battery
B SRAM Battery
C SRAM Battery

D SRAM Battery
E SRAM Battery
F SRAM Battery

G SRAM Battery
H SRAM Battery

Battery Charging

13

A Laden der Batterie
B Recarga de la batería
C Recharge de la batterie

D Carica della batteria
E De accu opladen
F Carga da bateria

G 電池の充電
H 電池充电

Battery Installation

14

A Einlegen der Batterie
B Instalación de la batería
C Installation de la batterie

D Installazione della batteria
E De accu installeren
F Instalação da Bateria

G 電池の取り付け
H 安装电池

System Pairing

16

A System Pairing
B System Pairing
C System Pairing

D System Pairing
E System Pairing
F System Pairing

G System Pairing
H System Pairing

AXS™ Button Functions

19

A AXS Button Functions
B AXS Button Functions
C AXS Button Functions

D AXS Button Functions
E AXS Button Functions
F AXS Button Functions

G AXS Button Functions
H AXS Button Functions

Shifting

20

- A Schalten
- B Cambio de marchas
- C Passage des vitesses

- D Cambio
- E Schakelen
- F Meter Mudanças

- G シフティング
- H 变速

AXS™ Button Shifting

21

- A Schalten mit der Funktionstaste
- B Cambio con botones de función

- C Passage des vitesses avec le bouton de commande
- D Tasto funzione Cambio
- E Schakelen met de functieknop

- F Meter Mudanças com o Botão de Função
- G 機能ボタンによるシフティング
- H 功能按钮变速

Cassette Installation

22

- A Einbau der Kasette
- B Instalación del casete
- C Installation de la cassette

- D Installazione della cassetta
- E De cassette installeren
- F Instalação da Cassete

- G カセットの取り付け
- H 安装飞轮

Crankset Installation

24

- A Crankset Installation
- B Crankset Installation
- C Crankset Installation

- D Crankset Installation
- E Crankset Installation
- F Crankset Installation

- G Crankset Installation
- H Crankset Installation

Rear Derailleur Installation

25

- A Einbau des Schaltwerks
- B Instalación del desviador trasero
- C Installation du dérailleur arrière

- D Installazione deragliatore posteriore
- E De achterderrailleur installeren

- F Instalação do desviador/derrailleur traseiro
- G リア・ディレイラーの取り付け
- H 后变速器安装

Rear Derailleur Adjustments

27

- A Einstellung des Schaltwerks
- B Ajustes del desviador trasero
- C Réglages du dérailleur arrière

- derailleur traseiro
- D Regolazioni del deragliatore posteriore

- E De achterderrailleur afstellen
- F Ajuste do desviador/
- G リア・ディレイラーの調節
- H 后变速器调节

Adjust Limit Screws

28

- A Adjust Limit Screws
- B Adjust Limit Screws
- C Adjust Limit Screws

- D Adjust Limit Screws
- E Adjust Limit Screws
- F Adjust Limit Screws

- G Adjust Limit Screws
- H Adjust Limit Screws

Chain Sizing

30

- A Kettenlänge
- B Ajuste de longitud de la cadena
- C Longueur de la chaîne

- D Dimensionamento della catena
- E De ketting inkorten
- F Tamanho da corrente

- G チェーン長の調節
- H 链条尺寸测量

Full Suspension Bicycles

31

- A Vollgefederte Fahrräder
- B Bicicletas de suspensión integral
- C Vélos tout suspendus

- D Bicicletta a sospensione totale
- E Fietsen met voor- en achtervering
- F Bicicletas com suspensão completa

- G フル・サスペンションの自転車
- H 全避震自転車

Eagle® X-SYNC™ 2 Chainrings

32

Eagle® X-SYNC™ 2 Oval Chainrings

33

Chain Installation

34

- A Kettenmontage
- B Instalación de la cadena
- C Installation de la chaîne

- D Installazione della catena
- E De ketting installeren
- F Instalação da Corrente

- G チェーンの取り付け
- H 链条安装

Chain Gap Adjustment

38

- A Einstellung des Kettenabstands
- B Ajuste del espacio de separación de la cadena

- C Réglage du passage de la chaîne
- D Regolazione del chain gap
- E Kettingspeling afstellen

- F Afiinação da folga da corrente
- G チェーン間隔の調節
- H 链距调节

Chain Gap Adjustment without Gauge

40

- A Einstellung des Kettenabstands ohne Werkzeug
- B Ajuste de la separación de la cadena sin utilizar un calibrador

- C Réglage du passage de la chaîne sans outil de mesure
- D Regolazione del chain gap senza indicatore
- E Kettingspeling afstellen zonder meter

- F Afiinação de folga da corrente sem a ferramenta
- G ゲージを使用しないチェーン・ギャップの調節
- H 无测量仪辅助下调节链隙

Fine Tuning

41

- A Feineinstellung
- B Ajuste fino
- C Réglage précis

- D Taratura
- E Fijnafstelling
- F Regulação fina

- G ファイン・チューニング
- H 精细调整

Eagle® AXS™ Controller Installation

42

- A AXS Controller Installation
- B Controller Installation
- C Installation du levier de dérailleur

- D Installazione del comando del cambio
- E De shifter installeren

- F Instalação do Manípulo de Comando das Mudanças
- G シフターの取り付け
- H 指拨安装

Controller Discrete Clamp

42

- A Controller Discrete Clamp
- B Controller Discrete Clamp
- C Controller Discrete Clamp

- D Controller Discrete Clamp
- E Controller Discrete Clamp
- F Controller Discrete Clamp

- G Controller Discrete Clamp
- H Controller Discrete Clamp

MMX™ Clamp

43

- A MMX Clamp
- B MMX Clamp
- C MMX Clamp

- D MMX Clamp
- E MMX Clamp
- F MMX Clamp

- G MMX Clamp
- H MMX Clamp

Battery Overview

44

- A Übersicht über die Batterie
- B Descripción de la batería
- C Présentation des batteries

- D Panoramica della batteria
- E Overzicht van de accu
- F Vista Geral da Bateria

- G 電池の概要
- H 電池简介

Battery Charge LED Indicator

44

- A Batteriezustandsanzeige-LED
- B LED indicador de carga de la pila
- C DEL indiquant le niveau de charge

- de la batterie
- D LED indicatore di carica della batteria
- E LED-controlelampje voor batterijniveau

- F LED indicador de carga da bateria
- G 電池充電 LED インジケーター
- H 電池充电指示 LED

Controller Battery Replacement

45

- A Controller Battery Replacement
- B Controller Battery Replacement
- C Controller Battery Replacement

- D Controller Battery Replacement
- E Controller Battery Replacement
- F Controller Battery Replacement

- G Controller Battery Replacement
- H Controller Battery Replacement

Maintenance

47

- A Wartung
- B Mantenimiento
- C Entretien

- D Manutenzione
- E Onderhoud
- F Manutenção

- G メンテナンス
- H 保养

Recycling

50

- A Recycling
- B Reciclaje
- C Recyclage
- D Riciclaggio

- E Recycling
- F Reciclagem
- G リサイクル
- H 骑行

Tools and Supplies

- A Werkzeuge und Material
- B Herramientas y accesorios

- C Outils et accessoires
- D Strumenti e forniture
- E Gereedschap en benodigdheden

- F Ferramentas e Produtos a Usar
- G ツールおよび付属品
- H 工具和用品

Highly specialized tools and supplies are required for the installation of your SRAM® components. We recommend that you have a qualified bicycle mechanic install your SRAM components.

Für den Einbau Ihrer SRAM-Komponenten werden Spezialwerkzeuge und spezielles Material benötigt. Es wird empfohlen, den Einbau Ihrer SRAM-Komponenten von einem qualifizierten Fahrradmechaniker durchführen zu lassen.

Para instalar los componentes SRAM se necesitan herramientas y accesorios muy especializados. Recomendamos que confíe la instalación de sus componentes SRAM a un mecánico de bicicletas cualificado.

Des outils et accessoires hautement spécialisés sont nécessaires pour l'installation de vos composants SRAM. Nous vous recommandons de faire installer vos composants SRAM par un mécanicien vélo qualifié.

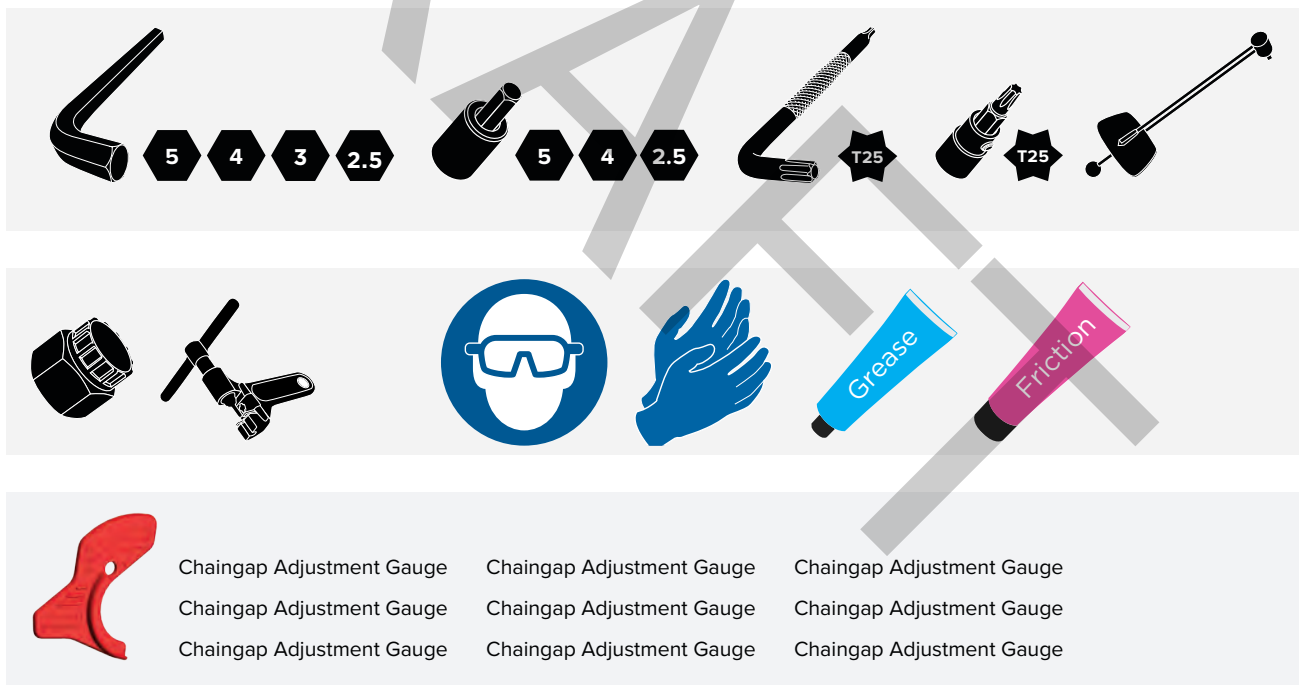
Sono necessari strumenti e forniture altamente specializzati per l'installazione dei componenti SRAM. Consigliamo di far installare i componenti SRAM da un meccanico per biciclette qualificato.

Hooggespecialiseerd gereedschap en benodigdheden zijn nodig voor de installatie van uw SRAM-componenten. We bevelen aan om uw SRAM-componenten door een vakbekwame fietsenmaker te laten installeren.

São necessárias ferramentas altamente especializadas e produtos específicos para a instalação dos seus componentes SRAM. Recomendamos que mande um mecânico de bicicletas qualificado instalar os seus componentes SRAM.

SRAM コンポーネントの取り付けには、非常に特殊なツールおよび付属品が必要です。当社では、SRAM コンポーネントの取り付けは、専門の自転車整備士に依頼することを推奨しています。

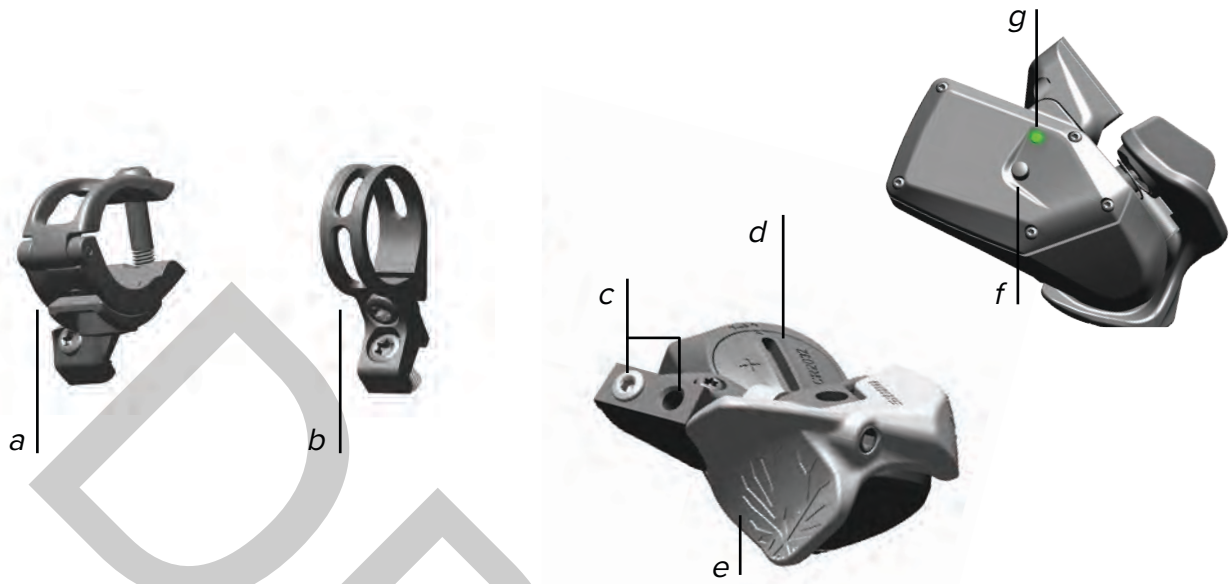
安装 SRAM 组件需要非常专业的工具和用品。我们建议您让专业的自行车技工安装 SRAM 组件。



Chaingap Adjustment Gauge
Chaingap Adjustment Gauge
Chaingap Adjustment Gauge

Chaingap Adjustment Gauge
Chaingap Adjustment Gauge
Chaingap Adjustment Gauge

Chaingap Adjustment Gauge
Chaingap Adjustment Gauge
Chaingap Adjustment Gauge



- a. MatchMaker™ X (MMX) Clamp
- b. Controller Discrete Clamp
- c. Mount Plug Screw and Clamp Bolt Holes
- d. Battery Cover
- e. Paddle
- f. AXS Button (Pairing)
- g. LED Indicator

- a. MatchMaker™ X (MMX) Clamp
- b. Controller Discrete Clamp
- c. Mount Plug Screw and Clamp Bolt Holes
- d. Battery Cover
- e. Paddle
- f. AXS Button (Pairing)
- g. LED Indicator

- a. MatchMaker™ X (MMX) Clamp
- b. Controller Discrete Clamp
- c. Mount Plug Screw and Clamp Bolt Holes
- d. Battery Cover
- e. Paddle
- f. AXS Button (Pairing)
- g. LED Indicator

- a. MatchMaker™ X (MMX) Clamp
- b. Controller Discrete Clamp
- c. Mount Plug Screw and Clamp Bolt Holes
- d. Battery Cover
- e. Paddle
- f. AXS Button (Pairing)
- g. LED Indicator

- a. MatchMaker™ X (MMX) Clamp
- b. Controller Discrete Clamp
- c. Mount Plug Screw and Clamp Bolt Holes
- d. Battery Cover
- e. Paddle
- f. AXS Button (Pairing)
- g. LED Indicator

- a. MatchMaker™ X (MMX) Clamp
- b. Controller Discrete Clamp
- c. Mount Plug Screw and Clamp Bolt Holes
- d. Battery Cover
- e. Paddle
- f. AXS Button (Pairing)
- g. LED Indicator

- a. MatchMaker™ X (MMX) Clamp
- b. Controller Discrete Clamp
- c. Mount Plug Screw and Clamp Bolt Holes
- d. Battery Cover
- e. Paddle
- f. AXS Button (Pairing)
- g. LED Indicator

- a. MatchMaker™ X (MMX) Clamp
- b. Controller Discrete Clamp
- c. Mount Plug Screw and Clamp Bolt Holes
- d. Battery Cover
- e. Paddle
- f. AXS Button (Pairing)
- g. LED Indicator

- a. MatchMaker™ X (MMX) Clamp
- b. Controller Discrete Clamp
- c. Mount Plug Screw and Clamp Bolt Holes
- d. Battery Cover
- e. Paddle
- f. AXS Button (Pairing)
- g. LED Indicator

Eagle® AXS™ Rear Derailleur

A Eagle AXS Rear Derailleur

B Eagle AXS Rear Derailleur

C Eagle AXS Rear Derailleur

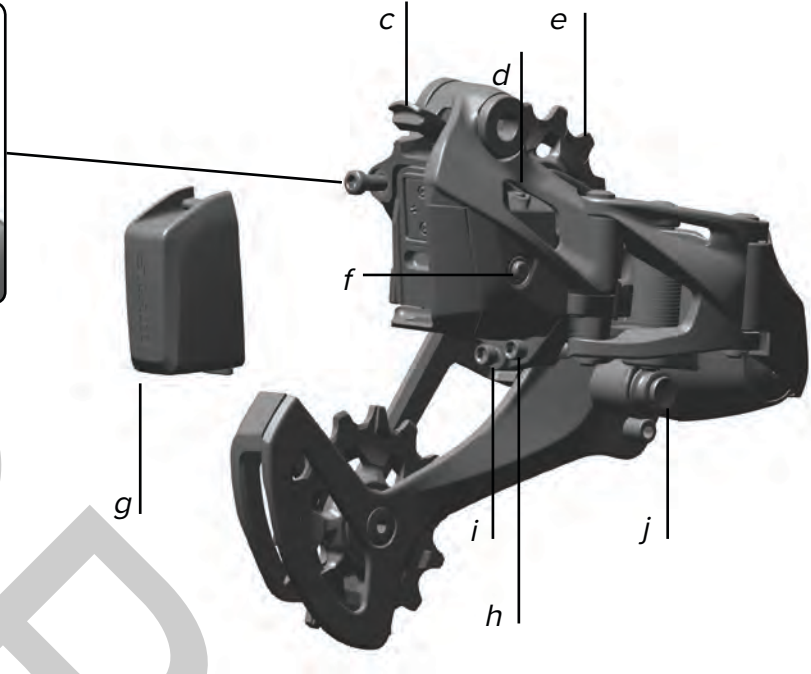
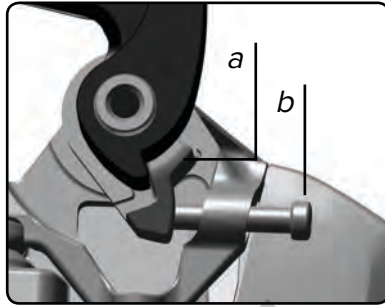
D Eagle AXS Rear Derailleur

E Eagle AXS Rear Derailleur

F Eagle AXS Rear Derailleur

G Eagle AXS Rear Derailleur

H Eagle AXS Rear Derailleur



- a. B-Adjust Washer
- b. B-Adjust Screw
- c. Battery Latch
- d. LED Indicator
- e. Upper Pulley
- f. AXS Button (Battery Status, Pairing)
- g. SRAM Battery
- h. High Limit Screw
- i. Low Limit Screw
- j. CageLock™ Button

- a. B-Adjust Washer
- b. B-Adjust Screw
- c. Battery Latch
- d. LED Indicator
- e. Upper Pulley
- f. AXS Button (Battery Status, Pairing)
- g. SRAM Battery
- h. High Limit Screw
- i. Low Limit Screw
- j. CageLock Button

- a. B-Adjust Washer
- b. B-Adjust Screw
- c. Battery Latch
- d. LED Indicator
- e. Upper Pulley
- f. AXS Button (Battery Status, Pairing)
- g. SRAM Battery
- h. High Limit Screw
- i. Low Limit Screw
- j. CageLock Button

- a. B-Adjust Washer
- b. B-Adjust Screw
- c. Battery Latch
- d. LED Indicator
- e. Upper Pulley
- f. AXS Button (Battery Status, Pairing)
- g. SRAM Battery
- h. High Limit Screw
- i. Low Limit Screw
- j. CageLock Button

- a. B-Adjust Washer
- b. B-Adjust Screw
- c. Battery Latch
- d. LED Indicator
- e. Upper Pulley
- f. AXS Button (Battery Status, Pairing)
- g. SRAM Battery
- h. High Limit Screw
- i. Low Limit Screw
- j. CageLock Button

- a. B-Adjust Washer
- b. B-Adjust Screw
- c. Battery Latch
- d. LED Indicator
- e. Upper Pulley
- f. AXS Button (Battery Status, Pairing)
- g. SRAM Battery
- h. High Limit Screw
- i. Low Limit Screw
- j. CageLock Button

- a. B-Adjust Washer
- b. B-Adjust Screw
- c. Battery Latch
- d. LED Indicator
- e. Upper Pulley
- f. AXS Button (Battery Status, Pairing)
- g. SRAM Battery
- h. High Limit Screw
- i. Low Limit Screw
- j. CageLock Button

- a. B-Adjust Washer
- b. B-Adjust Screw
- c. Battery Latch
- d. LED Indicator
- e. Upper Pulley
- f. AXS Button (Battery Status, Pairing)
- g. SRAM Battery
- h. High Limit Screw
- i. Low Limit Screw
- j. CageLock Button

- a. B-Adjust Washer
- b. B-Adjust Screw
- c. Battery Latch
- d. LED Indicator
- e. Upper Pulley
- f. AXS Button (Battery Status, Pairing)
- g. SRAM Battery
- h. High Limit Screw
- i. Low Limit Screw
- j. CageLock Button

NOTICE

Hands and gloves must be clean before handling the SRAM® battery. Contact with sunscreen or hydrocarbon cleaners may cause the battery to crack.

AVIS

Ne manipulez la batterie qu'avec des mains ou des gants propres. Tout contact avec des crèmes solaires ou des hydrocarbures pourrait fissurer la batterie.

NOTIFICAÇÃO

Tanto as mãos como as luvas têm que estar limpas antes de manipular a bateria. O contacto com cremes de protecção contra o sol ou com produtos de limpeza com hidrocarbonetos pode causar que a bateria rache.

HINWEIS

Berühren Sie die Batterie nur mit sauberen Händen und Handschuhen. Kontakt mit Sonnenmilch oder kohlenwasserstoffhaltigen Reinigungsmitteln kann die Batterie beschädigen.

AVVISO

Le mani e i guanti devono essere puliti prima di maneggiare la batteria. Il contatto con protezione solare o idrocarburi detergenti può causare la rottura della batteria.

注意事項

電池を取り扱う前に、手と手袋を必ずきれいにしてください。日焼け止めや炭化水素クリーナーなどが付着すると、電池に亀裂が生じる可能性があります。

AVISO

Las manos y los guantes deben estar limpios antes de manipular la batería. El contacto con protectores solares o limpiadores de hidrocarburos puede hacer que la batería se agriete.

MEDEDELING

Zorg dat uw handen of handschoenen schoon zijn voordat u de accu aanraakt. Contact met zonnebrandcrème of een reinigingsmiddel met koolwaterstof kan de accu doen barsten.

注意

手套和手都必须洁净,才可操作电池。电池如果接触到防晒霜或碳氢清洗剂,可能会发生破裂。

Battery Charging

- A Laden der Batterie
- B Recarga de la batería

- C Recharge de la batterie
- D Carica della batteria
- E De accu opladen

- F Carga da bateria
- G 電池の充電
- H 電池充電



Remove the battery cover from the battery, and charge the battery.

Consult the SRAM® *Battery and Charger user manual* for charging instructions, battery maintenance, and traveling guidelines.

NOTICE

Do not discard the battery cover. To protect the battery terminals, install the battery cover on the battery when it is not on the charger or derailleur.

Entfernen Sie die Batterieabdeckung von der Batterie und laden Sie die Batterie.

Consult the SRAM® *Battery and Charger user manual* for charging instructions, battery maintenance, and traveling guidelines.

HINWEIS

Bewahren Sie die Batterieabdeckung auf. Bringen Sie die Batterieabdeckung an, wenn die Batterie sich nicht im Ladegerät oder Schaltwerk/Umwerfer befindet.

Quitele la tapa a la batería y cárguela.

Consult the SRAM® *Battery and Charger user manual* for charging instructions, battery maintenance, and traveling guidelines.

AVISO

No tire la tapa de la batería. Cuando la batería no esté colocada en el cargador o instalada en el desviador, debe llevar siempre la tapa.



Retirez le couvercle de la batterie puis rechargez la batterie.

Consult the SRAM® *Battery and Charger user manual* for charging instructions, battery maintenance, and traveling guidelines.

AVIS

Ne jetez pas le couvercle de la batterie. Laissez le couvercle sur la batterie lorsqu'elle n'est pas installée sur le chargeur ou le dérailleur.

Rimuovere il coperchio della batteria dalla batteria e caricare la batteria.

Consult the SRAM® *Battery and Charger user manual* for charging instructions, battery maintenance, and traveling guidelines.

AVVISO

Non gettare la copertura della batteria. Installare la copertura della batteria sulla batteria quando non è sul caricabatteria o sul deragliatore.

Verwijder het accudeksel van de accu en laad de accu op.

Consult the SRAM® *Battery and Charger user manual* for charging instructions, battery maintenance, and traveling guidelines.

MEDEDELING

Gooi het accudeksel niet weg. Installeer het accudeksel op de accu wanneer het zich niet op de lader of derailleur bevindt.



Retire a tampa da bateria para fora da bateria e carregue a bateria.

Consult the SRAM® *Battery and Charger user manual* for charging instructions, battery maintenance, and traveling guidelines.

NOTIFICAÇÃO

Não descarte a tampa da bateria. Instale a tampa da bateria na bateria quando ela não estiver no carregador ou no câmbio (desviador/derailleur).

電池本体から電池カバーを取り外し、電池を交換します。

Consult the SRAM® *Battery and Charger user manual* for charging instructions, battery maintenance, and traveling guidelines.

注意事項

電池カバーは廃棄しないでください。電池が充電器またはディレイラーに取り付けられていないときは、電池に電池カバーを取り付けてください。

从电池上卸下电池防护罩, 并给电池充电。

Consult the SRAM® *Battery and Charger user manual* for charging instructions, battery maintenance, and traveling guidelines.

注意

请勿丢弃电池防护罩。当电池不在充电器或变速器上时请装上电池防护罩。



Remove/Loosen Retirar/Deserrer Retirar/Desapertar
Entfernen/Lösen Rimuovere/Allentare 取り外し/緩める
Quitar/Aflojar Verwijderen/Losmaken 拆卸/旋松



Install Einbauen Installieren
Installieren Installieren
Instalieren Monteren



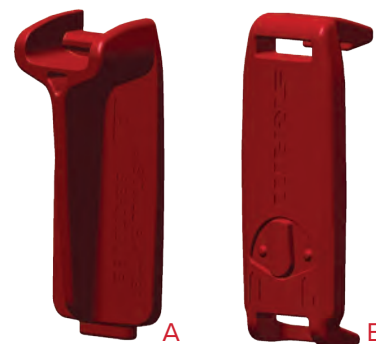
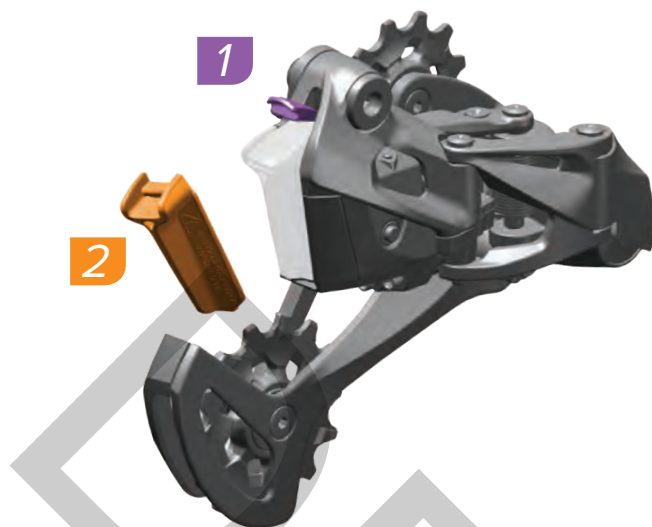
Adjust Einstellen Régler
Ajuster Regolare
Ajustar Afstellen

Battery Installation

- ▲ Einlegen der Batterie
- Instalación de la batería

- Installation de la batterie
- Installazione della batteria
- De accu installeren

- Instalação da Bateria
- 電池の取り付け
- 安装电池



NOTICE

Do not discard the derailer battery blocks (A) or the battery covers (B). To prevent battery depletion during transportation, remove the batteries and install the derailer battery blocks and battery covers. Failure to cover the battery and derailer terminals could result in damage to the terminals.

AVIS

Ne jetez pas les blocs des batteries des dérailleurs (A) ni les couvercles des batteries (B). Pour éviter toute décharge lors du transport, retirez les batteries puis installez les blocs de batteries des dérailleurs ainsi que les couvercles des batteries. Le fait de ne pas protéger les bornes de la batterie et du dérailleur peut les endommager.

NOTIFICAÇÃO

Não descarte os blocos da bateria do desviador/derrailleur (A) nem as tampas de bateria (B). Para evitar o esgotamento das baterias durante o transporte, retire as baterias e instale os blocos de bateria do desviador/derrailleur e as tampas das baterias. Não cobrir os terminais da bateria e do desviador/derrailleur poderá resultar em danos aos terminais.

HINWEIS

Bewahren Sie die Batterietrenner (A) und die Batterieabdeckungen (B) für das Schaltwerk und den Umwerfer auf. Um ein Entladen der Batterien während des Transports zu vermeiden, entfernen Sie die Batterien und bringen Sie die Batterietrenner und die Batterieabdeckungen für das Schaltwerk und den Umwerfer an. Wenn die Batteriekontakte und die Kontakte des Schaltwerks/Umwerfers nicht abgedeckt werden, können die Kontakte beschädigt werden.

AVVISO

Non gettare via i blocchi della batteria del deragliatore (A) o le coperture della batteria (B). Per evitare il deterioramento della batteria durante il trasporto, rimuovete le batterie e installare i blocchi della batteria del deragliatore e le coperture della batteria. La mancata copertura dei morsetti della batteria e del deragliatore potrebbe causare danni ai morsetti.

注意事項

ディレイラーの電池ブロック (A) または電池カバー (B) を廃棄しないでください。電池の消耗を防ぐため、移動中は電池を取り外し、ディレイラーの電池ブロックと電池カバーを取り付けてください。電池とディレイラーの端子にカバーを取り付けしないと、端子を損傷する可能性があります。

AVISO

No tire los bloques de batería del desviador (A) ni las tapas de batería (B). Para evitar su posible descarga durante su transporte, retire las baterías e instale los bloques de batería del desviador además de colocar sus tapas a las baterías. Si deja al descubierto los terminales del desviador y de la batería, podrían dañarse.

MEDEDELING

Gooi de deraileraccublokken (A) of de deraileraccukappen (B) niet weg. Om het onnodig ontladen van de accu's tijdens het transport te vermijden, verwijder de accu's en installeer de deraileraccublokken en -kappen. Het niet afdekken van de accuaansluitingen kan schade aan de aansluitingen veroorzaken.

注意

不要丢弃变速器电池堵块 (A) 或电池防护罩 (B)。为防止电池在运输过程中损耗电能, 请卸下电池并安装变速器电池堵块和电池防护罩。未能覆盖电池和变速器接线端可能导致损坏接线端。



Adjust
Einstellen
Ajustar

Régler
Regolare
Ajustar

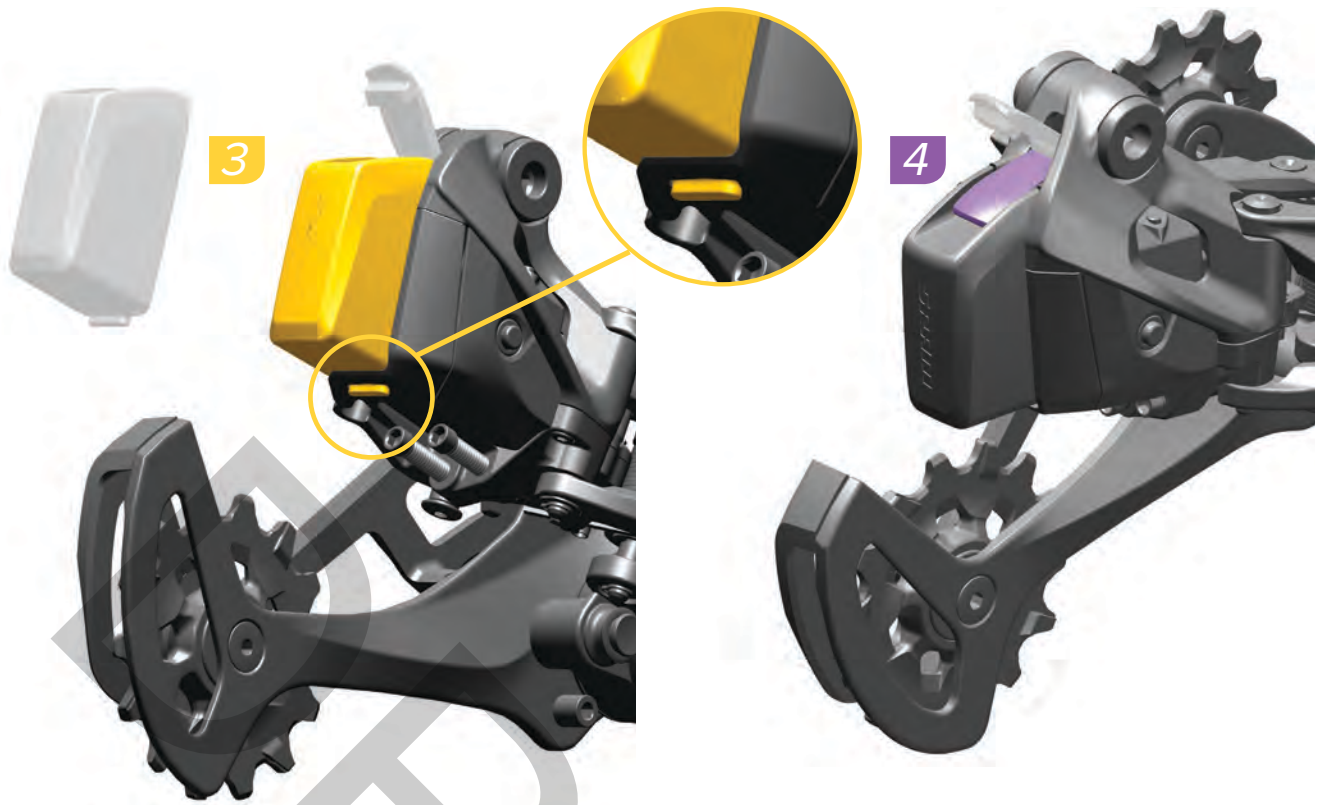
Ajustar
調節
調整



Remove/Loosen
Entfernen/Lösen
Quitar/Aflojar

Retirer/Desserrer
Rimuovere/Allentare
Verwijderen/Losmaken

Retirar/Desapertar
取り外し/緩める
拆卸/旋松



Insert the fully charged battery into the derailleur and close the battery latch. When installed correctly, the latch will snap into place.

Insert the fully charged battery into the derailleur and close the battery latch. When installed correctly, the latch will snap into place.

Insert the fully charged battery into the derailleur and close the battery latch. When installed correctly, the latch will snap into place.

Insert the fully charged battery into the derailleur and close the battery latch. When installed correctly, the latch will snap into place.

Insert the fully charged battery into the derailleur and close the battery latch. When installed correctly, the latch will snap into place.

Insert the fully charged battery into the derailleur and close the battery latch. When installed correctly, the latch will snap into place.

Insert the fully charged battery into the derailleur and close the battery latch. When installed correctly, the latch will snap into place.

Insert the fully charged battery into the derailleur and close the battery latch. When installed correctly, the latch will snap into place.

Insert the fully charged battery into the derailleur and close the battery latch. When installed correctly, the latch will snap into place.

System Pairing

A System Pairing

B System Pairing

C System Pairing

D System Pairing

E System Pairing

F System Pairing

G System Pairing

H System Pairing

The AXS™ controller must be paired with the AXS rear derailleur. Pairing allows the controller to communicate when a shift command is transmitted.

Jede AXS-Komponente muss mit dem Schaltwerk gekoppelt werden. Die Kopplung ermöglicht die Kommunikation zwischen den Komponenten, wenn ein Schaltbefehl übertragen wird.

Cada uno de los componentes del sistema AXS debe emparejarse con el desviador trasero. El emparejamiento permite que cada componente pueda comunicarse con el sistema cuando se transmita una orden de cambio de marcha.

Chaque composant AXS doit être synchronisé avec le dérailleur arrière. La synchronisation permet à chaque composant de communiquer à chaque fois qu'un passage de vitesse est transmis.

Ciascun componente AXS deve essere accoppiato con il deragliatore posteriore. L'accoppiamento consente a ciascun componente di comunicare quando viene trasmesso un comando di cambio.

Elk AXS component moet aan de achterderrailleur worden gekoppeld. De koppeling zorgt voor het communiceren van elk component wanneer een schakelcommando wordt verzonden.

Cada componente AXS tem que ser emparelhado com o desviador/derrailleur traseiro. O emparelhamento permite que cada componente comunique quando um comando de mudança for transmitido.

AXS の各コンポーネントは、リア・ディレイラーとペアリングしなければなりません。ペアリングすることにより、シフト・コマンドを送信して各コンポーネントが通信できるようになります。

所有 AXS 组件都必须与后变速器配对。配对的目的是让每个组件在变速命令发出时能进行通信。



1

Begin the pairing session at the rear derailleur. Press and hold the AXS button until the green LED blinks slowly, then release.

The pairing session will time out after 30 seconds of inactivity.

Beginnen Sie mit der Kopplung am Schaltwerk. Halten Sie die Funktionstaste gedrückt, bis die grüne LED langsam blinkt. Lassen Sie dann die Funktionstaste los.

The pairing session will time out after 30 seconds of inactivity.

Empiece la sesión de emparejamiento por el desviador trasero. Mantenga presionado el botón de función hasta que el LED verde parpadee despacio y suéltelo a continuación.

The pairing session will time out after 30 seconds of inactivity.

Commencez par synchroniser le dérailleur arrière. Maintenez appuyé le bouton de commande jusqu'à ce que la DEL verte clignote lentement, puis relâchez le bouton.

The pairing session will time out after 30 seconds of inactivity.

Iniziare la sessione di accoppiamento sul deragliatore posteriore. Tenere premuto il tasto funzione fino a che il LED verde non lampeggia lentamente, quindi rilasciarlo.

The pairing session will time out after 30 seconds of inactivity.

Start de koppelingsprocedure aan de achterderrailleur. Druk en houd de functieknop ingedrukt totdat de groene LED langzaam knippert en laat vervolgens los.

The pairing session will time out after 30 seconds of inactivity.

Inicie a sessão de emparelhamento no câmbio (desviador/derrailleur) traseiro. Pressione e segure o botão de função até que o LED verde pisque lentamente, e então solte-o.

The pairing session will time out after 30 seconds of inactivity.

ペアリングの作業は、リア・ディレイラーから始めます。機能ボタンを押して保持し、緑色のLEDがゆっくり点滅したら、ボタンを放します。

The pairing session will time out after 30 seconds of inactivity.

在后变速器上开始配对操作。按住住功能按钮，直到绿色LED缓慢地闪烁，再放开。

The pairing session will time out after 30 seconds of inactivity.



Press and hold
Press and hold
Press and hold

Press and hold
Press and hold
Press and hold

Press and hold
Press and hold
Press and hold

2



Press and hold the **AXS™** button on the controller until the green LED blinks quickly, then release.

Halten Sie die Funktionstaste an einem der Schalthebel gedrückt, bis die grüne LED schnell blinkt.

Mantenga presionado el botón de función de una de las palancas de cambio hasta que el LED verde parpadee deprisa y suéltelo a continuación.

Maintenez appuyé le bouton de commande de l'un des leviers de dérailleur jusqu'à ce que la DEL verte clignote rapidement, puis relâchez le bouton.

Tenere premuto il tasto funzione su un cambio fino a che il LED verde non lampeggia rapidamente, quindi rilasciarlo.

Druk en houd de functieknop op één shifter ingedrukt totdat de groene LED snel knippert en laat vervolgens los.

Pressione e segure o botão de função num comando das mudanças até que o LED verde pisque rapidamente, e então solte-o.

シフターの1つにある機能ボタンを押して保持し、緑色のLEDが素早く点滅したらボタンを放します。

按住一个指拨上的功能按钮，直到绿色LED快速地闪烁，再放开。

3



Press and release the **AXS** button on the rear derailleur to end the pairing session, or wait 30 seconds for the pairing session to time out. The green LED will stop blinking.

Drücken Sie die Funktionstaste am Schaltwerk und lassen Sie sie wieder los, um die Kopplung zu beenden. Sie können auch 30 Sekunden warten, bis die Kopplung automatisch beendet wird. Die grüne LED hört auf zu blinken.

Para finalizar la sesión de emparejamiento, presione y suelte el botón de función del desviador trasero, o bien espere 30 segundos a que la sesión se cierre automáticamente. El LED verde dejará de parpadear.

Pour terminer le processus de synchronisation, appuyez une fois sur le bouton de commande situé sur le dérailleur arrière ou attendez 30 secondes pour que le processus de synchronisation s'interrompe. La DEL verte cessera alors de clignoter.

Premere e rilasciare il pulsante funzione sul deragliatore posteriore per terminare la sessione di accoppiamento, oppure attendere 30 secondi affinché la sessione di accoppiamento scada. Il LED verde smette di lampeggiare.

Druk en laat de functieknop op de achterderailleur los om de koppelingsprocedure te beëindigen, of wacht 30 seconden en de koppelingsprocedure wordt automatisch gestopt. De groene LED stopt met knippen.

Pressione e solte o botão de função no desviador/derailleur traseiro para terminar a sessão de emparelhamento, ou espere 30 segundos para que a sessão termine por esgotamento do período de tempo permitido (time out). O LED verde deixará de piscar.

リアディレイラーの機能ボタンを、ペアリングのセッションが終了するまで押して放すか、または、30秒間待ってペアリングのセッションをタイムアウトさせます。緑色のLEDの点滅が止まります。

按压并放开后变速器上的功能按钮结束配对操作，或等待30秒让操作自动结束。绿色LED将停止闪烁。



Press and hold
Press and hold
Press and hold

Press and hold
Press and hold
Press and hold

Press and hold
Press and hold
Press and hold



Press & release
Press & release
Press & release

Press & release
Press & release
Press & release

Press & release
Press & release
Press & release

The pairing process does **not** need to be repeated when batteries are removed and/or replaced.

The pairing process **must** be repeated if any components are replaced.

The pairing process does **not** need to be repeated when batteries are removed and/or replaced.

The pairing process **must** be repeated if any components are replaced.

The pairing process does **not** need to be repeated when batteries are removed and/or replaced.

The pairing process **must** be repeated if any components are replaced.

The pairing process does **not** need to be repeated when batteries are removed and/or replaced.

The pairing process **must** be repeated if any components are replaced.

The pairing process does **not** need to be repeated when batteries are removed and/or replaced.

The pairing process **must** be repeated if any components are replaced.

The pairing process does **not** need to be repeated when batteries are removed and/or replaced.

The pairing process **must** be repeated if any components are replaced.

The pairing process does **not** need to be repeated when batteries are removed and/or replaced.

The pairing process **must** be repeated if any components are replaced.

The pairing process does **not** need to be repeated when batteries are removed and/or replaced.

The pairing process **must** be repeated if any components are replaced.

The pairing process does **not** need to be repeated when batteries are removed and/or replaced.

The pairing process **must** be repeated if any components are replaced.

DRAFT

AXS™ Button Functions

A AXS Button Functions

B AXS Button Functions

C AXS Button Functions

D AXS Button Functions

E AXS Button Functions

F AXS Button Functions

G AXS Button Functions

H AXS Button Functions

The AXS button has different functions that vary from component to component. Descriptions of each function can be found in their respective sections.

The AXS button has different functions that vary from component to component. Descriptions of each function can be found in their respective sections.

The AXS button has different functions that vary from component to component. Descriptions of each function can be found in their respective sections.

The AXS button has different functions that vary from component to component. Descriptions of each function can be found in their respective sections.

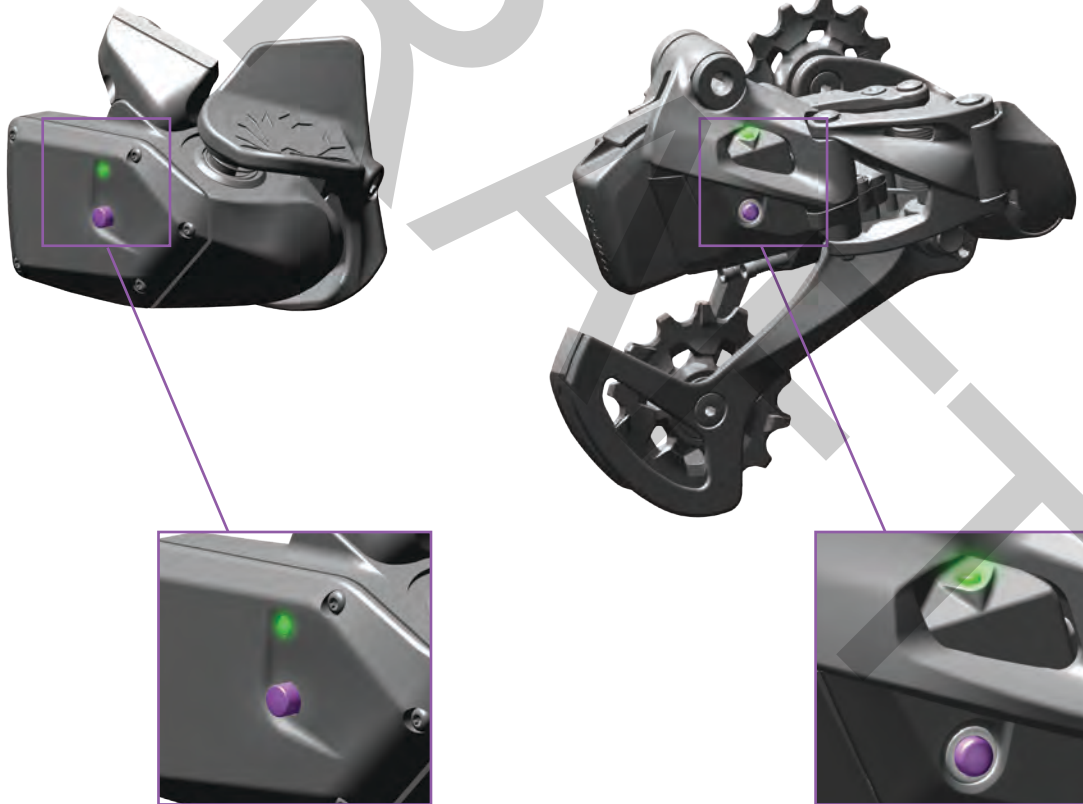
The AXS button has different functions that vary from component to component. Descriptions of each function can be found in their respective sections.

The AXS button has different functions that vary from component to component. Descriptions of each function can be found in their respective sections.

The AXS button has different functions that vary from component to component. Descriptions of each function can be found in their respective sections.

The AXS button has different functions that vary from component to component. Descriptions of each function can be found in their respective sections.

The AXS button has different functions that vary from component to component. Descriptions of each function can be found in their respective sections.



Shifting

A Schalten

B Cambio de marchas

C Passage des vitesses

D Cambio

E Schakelen

F Meter Mudanças

G シフティング

H 变速



Press the controller paddle downward to move the rear derailleur inboard to a larger cog. Press and hold the paddle for multiple shifts.

Press the controller paddle downward to move the rear derailleur inboard to a larger cog. Press and hold the paddle for multiple shifts.

Press the controller paddle downward to move the rear derailleur inboard to a larger cog. Press and hold the paddle for multiple shifts.

Press the controller paddle downward to move the rear derailleur inboard to a larger cog. Press and hold the paddle for multiple shifts.

Press the controller paddle downward to move the rear derailleur inboard to a larger cog. Press and hold the paddle for multiple shifts.

Press the controller paddle downward to move the rear derailleur inboard to a larger cog. Press and hold the paddle for multiple shifts.

Press the controller paddle downward to move the rear derailleur inboard to a larger cog. Press and hold the paddle for multiple shifts.

Press the controller paddle downward to move the rear derailleur inboard to a larger cog. Press and hold the paddle for multiple shifts.

Press the controller paddle downward to move the rear derailleur inboard to a larger cog. Press and hold the paddle for multiple shifts.



Press the controller paddle upward to move the rear derailleur outboard to a smaller cog. Press and hold the paddle for multiple shifts.

Press the controller paddle upward to move the rear derailleur outboard to a smaller cog. Press and hold the paddle for multiple shifts.

Press the controller paddle upward to move the rear derailleur outboard to a smaller cog. Press and hold the paddle for multiple shifts.

Press the controller paddle upward to move the rear derailleur outboard to a smaller cog. Press and hold the paddle for multiple shifts.

Press the controller paddle upward to move the rear derailleur outboard to a smaller cog. Press and hold the paddle for multiple shifts.

Press the controller paddle upward to move the rear derailleur outboard to a smaller cog. Press and hold the paddle for multiple shifts.

Press the controller paddle upward to move the rear derailleur outboard to a smaller cog. Press and hold the paddle for multiple shifts.

Press the controller paddle upward to move the rear derailleur outboard to a smaller cog. Press and hold the paddle for multiple shifts.

Press the controller paddle upward to move the rear derailleur outboard to a smaller cog. Press and hold the paddle for multiple shifts.



Adjust
Einstellen
Ajustar

Régler
Regolare
Afstellen

Ajustar
調節
調整

AXS™ Button Shifting

- A Schalten mit der Funktionstaste
- B Cambio con botones de función

- C Passage des vitesses avec le bouton de commande
- D Tasto funzione Cambio
- E Schakelen met de functieknop
- F Meter Mudanças com o Botão de Função
- G 機能ボタンによるシフティング
- H 功能按钮变速



Press **and release** the **AXS** button on the rear derailleur once to move the derailleur outboard one position, or twice quickly to move inboard one position.

Drücken Sie die Funktionstaste am Schaltwerk einmal, um das Schaltwerk um eine Position nach außen zu bewegen. Wenn Sie die Funktionstaste zweimal kurz hintereinander drücken, bewegt sich das Schaltwerk um eine Position nach innen.

Presione el botón de función del desviador trasero una sola vez para desplazar el desviador hacia fuera una posición, o dos veces rápidamente para desplazarlo una posición hacia dentro.

Appuyez une fois sur le bouton de commande du dérailleur arrière pour le faire bouger d'un cran vers l'extérieur ou deux fois rapidement pour le faire bouger d'un cran vers l'intérieur.

Premere il pulsante funzione sul deragliatore posteriore una volta per spostare il deragliatore verso l'esterno di una posizione o due volte rapidamente per spostarlo verso l'interno di una posizione.

Druk eenmaal op de functieknop op de achterderrailleur om de derailleur één positie naar buiten te brengen of tweemaal snel na elkaar om de derailleur één positie naar binnen te brengen.

Pressione o botão de função do desviador/derailleur traseiro uma vez para mover o derailleur para "fora" uma posição, ou duas vezes rapidamente para mover para "dentro" uma posição.

リア・ディレイラーの機能ボタンを1回押すと、ディレイラーがアウトボードに1段階シフトし、素早く2回押すとインボードに1段階シフトします。

按压一次后变速器上的功能按钮使变速器向外移动一个位置,或快速按压两次使变速器向内移动一个位置。



Press & release
Press & release
Press & release

Press & release
Press & release
Press & release

Press & release
Press & release
Press & release



Double press
Double press
Double press

Double press
Double press
Double press

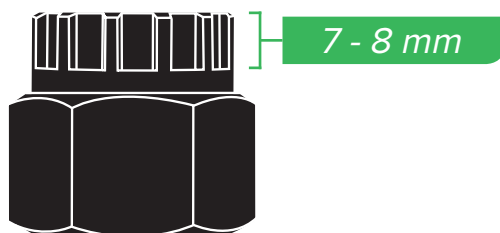
Double press
Double press
Double press

Cassette Installation

- A Einbau der Kassette
- B Instalación del casete

- C Installation de la cassette
- D Installazione della cassetta
- E De cassette installeren

- F Instalação da Cassete
- G カセットの取り付け
- H 安装飞轮



SRAM XD™

NOTICE

Cassette locking tool splines must fully engage the cassette locking or locktube (XD™). Splines must be between 7 and 8 mm in length for XD cassettes, and less than or equal to 8 mm for traditional non-XD cassettes.

If there is lateral play or movement in the cassette after tightening it, contact your SRAM dealer.

SRAM XD cassettes are exclusively compatible with the SRAM XD driver body.

HINWEIS

Das Profil des Sicherungsring-Werkzeugs der Kassette muss vollständig in den Sicherungsring oder das Verriegelungsrohr (XD) der Kassette eingreifen. Die Profile müssen für XD-Kassetten 7 bis 8 mm lang und für herkömmliche nicht-XD-Kassetten höchstens 8 mm lang sein.

Wenn die Kassette nach dem Anziehen seitliches Spiel aufweist oder sich seitlich bewegt, wenden Sie sich an Ihren SRAM-Händler.

SRAM XD-Kassetten sind ausschließlich mit dem SRAM XD-Freilaufkörper kompatibel.

AVISO

Las acanaladuras de la llave para la tuerca de cierre del casete deben encajar completamente en la tuerca o en el tubo de cierre del casete (XD). Las acanaladuras deben tener una longitud de entre 7 y 8 mm para los casetes XD, e igual o inferior a 8 mm para los casetes no XD tradicionales.

Si el casete presenta alguna holgura lateral o movimiento después de haberlo apretado, contacte con su distribuidor de SRAM para más información.

Los casetes SRAM XD son compatibles exclusivamente con el núcleo motriz SRAM XD.

AVIS

Les cannelures de l'outil d'installation de la cassette doivent être complètement engagées sur la bague de verrouillage ou le tube de verrouillage de la cassette (XD). Les cannelures doivent mesurer entre 7 et 8 mm pour les cassettes XD et ne pas être supérieures à 8 mm pour les cassettes classiques (non XD).

Si vous constatez du jeu latéral ou du mouvement dans la cassette après l'avoir serrée, contactez votre revendeur SRAM.

Les cassettes SRAM XD sont exclusivement compatibles avec le corps de cassette SRAM XD.

AVVISO

Le scanalature dello strumento per l'anello di blocco della cassetta devono innestarsi completamente nell'anello di blocco o nel tubo di blocco della cassetta (XD). Le scanalature devono avere una lunghezza fra 7 e 8 mm per cassetta XD, e una lunghezza inferiore o pari a 8 mm per cassetta non XD tradizionali.

Se esiste movimento o gioco laterale nella cassetta dopo aver serrato, contattare il rivenditore SRAM.

Le cassette SRAM XD sono compatibili esclusivamente con il corpo dell'elemento motore SRAM XD.

MEDEDELING

De inkepingen van de borgringafnemer moeten volledig in de borgring of borgbuis (XD) grijpen. De inkepingen moeten voor XD cassettes tussen 7 en 8 mm lang zijn en voor traditionele niet-XD cassettes kleiner dan of gelijk aan 8 mm zijn.

Als er na het aandraaien van de cassette laterale speling of beweging aanwezig is, neem contact op met uw SRAM-handelaar.

SRAM XD cassettes zijn alleen compatibel met de SRAM XD aandrijver.

NOTIFICAÇÃO

As estrias da ferramenta para o anel de bloqueio/freio da cassete têm que encaixar completamente no anel de bloqueio ou tubo de bloqueio da cassete (XD). As estrias têm que ter entre 7 e 8 mm de comprimento para cassetes XD, e 8 mm ou menos de comprimento para cassetes tradicionais que não sejam XD.

Se houver folga lateral ou movimento na cassete depois de a apertar, contacte o seu concessionário SRAM.

As cassetes SRAM XD são compatíveis exclusivamente com o corpo de accionador SRAM XD.

注意事項

カセット・ロックリング・ツールのスプラインが、カセットのロックリングまたはロックチューブ (XD) に完全に噛み合っている必要があります。スプラインの長さは、XD カセットでは 7 ~ 8 mm の間、従来の非 XD カセットでは 8 mm と同じか、それ以下でなければなりません。

締めた後に、カセットに横方向への遊びがあったり、動いたりする場合は、SRAM ディーラーまでご連絡ください。

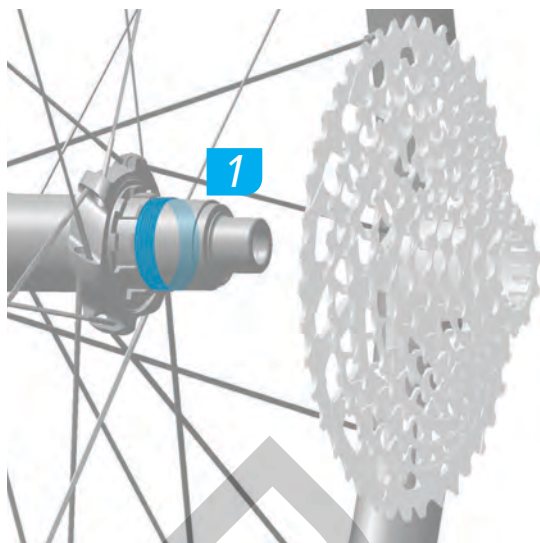
SRAM XD カセットは、SRAM XD ドライバー・ボディにのみ対応しています。

注意

飞轮锁环工具齿条必须完全啮合飞轮锁环或锁管 (XD)。XD 飞轮使用的齿条必须在 7 mm 到 8 mm 之间，而传统的非 XD 飞轮使用的齿条长度不得超过 8 mm。

如果拧紧后飞轮内仍有侧向游隙或松动，则请咨询 SRAM 经销商。

SRAM XD 飞轮仅与 SRAM XD 塔基兼容。



NOTICE

Grease is critical to prevent the cassette from seizing onto the driver body. Make sure the hub driver body and cassette interface are free of dirt and debris.

AVIS

Il est très important de lubrifier la cassette pour éviter qu'elle ne se bloque dans le corps de cassette. Veillez à ce que le corps de cassette du moyeu et l'interface de la cassette ne présentent pas de poussière ou de débris.

NOTIFICAÇÃO

A massa lubrificante é crítica para evitar que a cassetete gripe (se agarre) no corpo do accionador. Assegure-se de que o corpo da manga propulsora do cubo e a interface da cassetete estejam livres de sujidade e de detritos.

HINWEIS

Schmierfett ist unerlässlich, damit sich die Kassetete auf dem Freilaufkörper nicht festfrisst. Stellen Sie sicher, dass die Kontaktflächen des Freilaufkörpers der Nabe und der Kassetete frei von Schmutz und Ablagerungen sind.

AVVISO

Il grasso è fondamentale per evitare che la cassetta grippi sul corpo dell'elemento motore. Assicurarsi che il corpo dell'elemento motore del mozzo e l'interfaccia della cassetta siano privi di detriti e sporcizia.

注意事項

グリスの塗布は、カセットがドライバー・ボディに括着するのを防ぐうえで大変重要です。ハブ・ドライバー・ボディとカセットの表面に付着した土や汚れは、きれいに落としてください。

AVISO

La grasa es fundamental para evitar que el casete se agarrote contra el núcleo. Asegúrese de que no haya polvo ni suciedad en la superficie de contacto entre el casete y el núcleo del buje.

MEDEDELING

Het aanbrengen van smeer is nodig om het vastlopen van de cassetete op de aandrijver te vermijden. Zorg dat de naafaandrijver en het contactvlak van de cassetete vrij van vuil zijn.

注意

润滑油对于防止飞轮卡住塔基至关重要。确保轮毂塔基和飞轮接口无污垢或碎屑。

Crankset Installation

A Crankset Installation

B Crankset Installation

C Crankset Installation

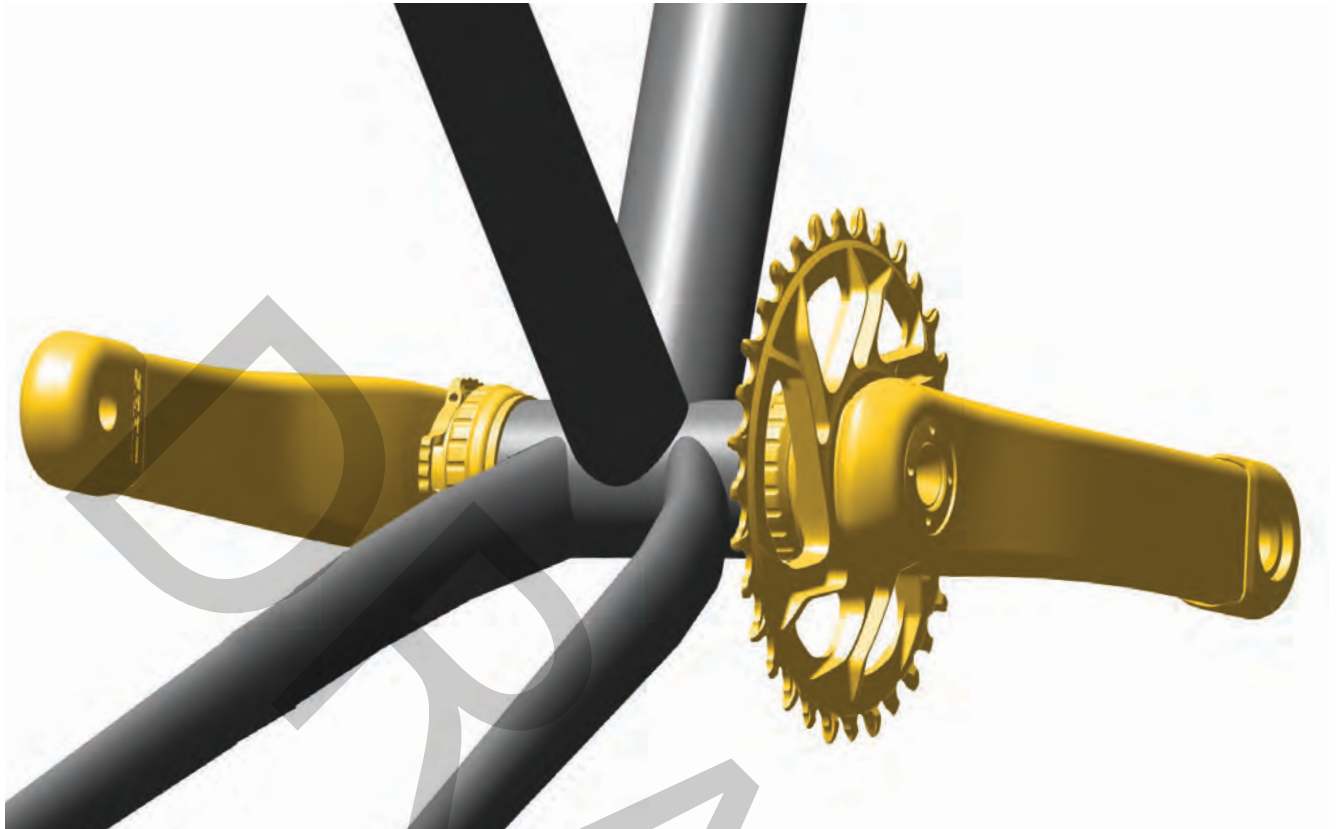
D Crankset Installation

E Crankset Installation

F Crankset Installation

G Crankset Installation

H Crankset Installation



Consult the *DUB™ MTB Cranksets and Bottom Brackets* user manual for crankset and bottom bracket installation before proceeding.

Consult the *DUB™ MTB Cranksets and Bottom Brackets* user manual for crankset and bottom bracket installation before proceeding.

Consult the *DUB™ MTB Cranksets and Bottom Brackets* user manual for crankset and bottom bracket installation before proceeding.

Consult the *DUB™ MTB Cranksets and Bottom Brackets* user manual for crankset and bottom bracket installation before proceeding.

Consult the *DUB™ MTB Cranksets and Bottom Brackets* user manual for crankset and bottom bracket installation before proceeding.

Consult the *DUB™ MTB Cranksets and Bottom Brackets* user manual for crankset and bottom bracket installation before proceeding.

Consult the *DUB™ MTB Cranksets and Bottom Brackets* user manual for crankset and bottom bracket installation before proceeding.

Consult the *DUB™ MTB Cranksets and Bottom Brackets* user manual for crankset and bottom bracket installation before proceeding.

Consult the *DUB™ MTB Cranksets and Bottom Brackets* user manual for crankset and bottom bracket installation before proceeding.



Install
Einbauen
Instalación

Installer
Installare
Monteren

Instalar
取り付け
安装

Rear Derailleur Installation

A Einbau des Schaltwerks

B Instalación del desviador trasero

C Installation du dérailleur arrière

D Installazione deragliatore posteriore

E De achterderrailleur installeren

F Instalação do desviador/derrailleur traseiro

G リア・ディレイラーの取り付け

H 后变速器安装

Use a rear derailleur alignment tool to make sure the derailleur hanger is straight.

NOTICE

A bent derailleur hanger can impact shifting performance.

Use a rear derailleur alignment tool to make sure the derailleur hanger is straight.

NOTICE

A bent derailleur hanger can impact shifting performance.

Use a rear derailleur alignment tool to make sure the derailleur hanger is straight.

NOTICE

A bent derailleur hanger can impact shifting performance.

Use a rear derailleur alignment tool to make sure the derailleur hanger is straight.

NOTICE

A bent derailleur hanger can impact shifting performance.

Use a rear derailleur alignment tool to make sure the derailleur hanger is straight.

NOTICE

A bent derailleur hanger can impact shifting performance.

Use a rear derailleur alignment tool to make sure the derailleur hanger is straight.

NOTICE

A bent derailleur hanger can impact shifting performance.

Use a rear derailleur alignment tool to make sure the derailleur hanger is straight.

NOTICE

A bent derailleur hanger can impact shifting performance.

Use a rear derailleur alignment tool to make sure the derailleur hanger is straight.

NOTICE

A bent derailleur hanger can impact shifting performance.

Use a rear derailleur alignment tool to make sure the derailleur hanger is straight.

NOTICE

A bent derailleur hanger can impact shifting performance.



1

Shift the rear derailleur inboard to the **2nd largest cog**.

Shift the rear derailleur inboard to the **2nd largest cog**.

Shift the rear derailleur inboard to the **2nd largest cog**.

Shift the rear derailleur inboard to the **2nd largest cog**.

Shift the rear derailleur inboard to the **2nd largest cog**.

Shift the rear derailleur inboard to the **2nd largest cog**.

Shift the rear derailleur inboard to the **2nd largest cog**.

Shift the rear derailleur inboard to the **2nd largest cog**.

Shift the rear derailleur inboard to the **2nd largest cog**.

NOTICE

Do not manually force the derailleur to move inboard or outboard. **Manually forcing the derailleur to move can cause damage to the motor.** Use the **AXS** button on the derailleur or the **control paddle** to adjust the derailleur.

AVIS

Ne touchez pas le dérailleur pour l'obliger à bouger vers l'intérieur ou l'extérieur. **Manually forcing the derailleur to move can cause damage to the motor.** Utilisez les leviers de dérailleur ou le bouton de commande situé sur le dérailleur pour le régler correctement.

NOTIFICAÇÃO

Não deve forçar manualmente o desviador/derrailleur a mover-se para “dentro” nem para “fora”. **Manually forcing the derailleur to move can cause damage to the motor.** Use o botão de função no desviador/derrailleur ou os manípulos achatados das mudanças para ajustar o derrailleur.

HINWEIS

Bewegen Sie das Schaltwerk nicht mit Gewalt nach innen oder nach außen. **Manually forcing the derailleur to move can cause damage to the motor.** Verwenden Sie die Funktionstaste am Schaltwerk oder die Schalthebel, um das Schaltwerk zu justieren.

AVVISO

Non forzare manualmente il deragliatore per spostarlo verso l'interno o l'esterno. **Manually forcing the derailleur to move can cause damage to the motor.** Utilizzare il tasto funzione sul deragliatore o le palette cambio per regolare il deragliatore.

注意事項

ディレイラーを手で無理に、インボードまたはアウトボードに動かさないでください。 **Manually forcing the derailleur to move can cause damage to the motor.** ディレイラーの調節には、ディレイラーの機能ボタンまたはシフター・パドルを使用してください。

AVISO

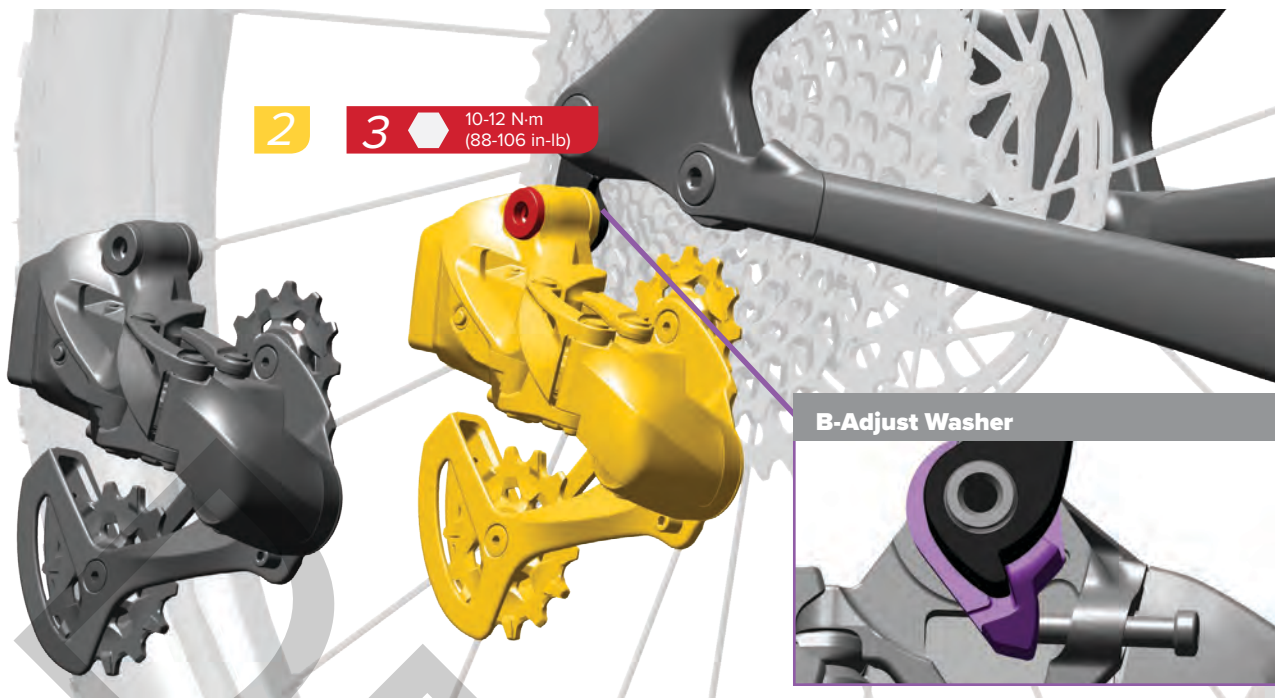
No fuerce manualmente el desplazamiento del desviador hacia dentro o hacia fuera. **Manually forcing the derailleur to move can cause damage to the motor.** Para ajustar el desviador, utilice su botón de función asociado a las palancas de cambio.

MEDEDELING

Oefen geen druk op de derailleur uit met uw hand om deze naar binnen of buiten te brengen. **Manually forcing the derailleur to move can cause damage to the motor.** Gebruik de functieknop op de derailleur of de schakelhendels om de derailleur aan te passen.

注意

请勿用手直接拨动变速器向内或向外变速。 **Manually forcing the derailleur to move can cause damage to the motor.** 使用变速器上的功能键或变速拨片来调节变速器。



NOTICE

Do not apply grease to the mounting bolt or derailleur hanger threads.

Push the B-adjust washer forward when installing the derailleur. There must not be a gap between the B-Adjust washer and the derailleur hanger. A gap can cause the derailleur to loosen or break away from the B-Bolt. **poor shifting performance.**

HINWEIS

Kein Schmierfett auf das Gewinde der Befestigungsschraube oder der Schaltwerk-aufhängung auftragen.

Die B-Einstellscheibe beim Einbau des Schaltwerks/Umwersers nach vorn drücken. Zwischen B-Scheibe und Schaltwerk-aufhängung darf kein Spalt vorhanden sein. Ein Spalt kann dazu führen, dass sich das Schaltwerk löst oder von der B-Schraube abbricht.

AVISO

No aplique grasa al tornillo de fijación ni a las roscas de la pata de cambio del desviador.

Al instalar el desviador, empuje hacia adelante la arandela B. No debe quedar espacio entre la arandela B y la pata de cambio del desviador. Si quedase algún espacio, el desviador podría aflojarse o desprenderse del tornillo B.

3

10-12 N·m
(88-106 in·lb)

AVIS

N'appliquez jamais de graisse sur le boulon de fixation ou sur le filetage du support du dérailleur.

Poussez la rondelle de réglage B vers l'avant pour installer le dérailleur. Il ne doit pas y avoir d'espace entre la rondelle B et le support du dérailleur. S'il y a un espace, le dérailleur peut se desserrer ou se détacher du boulon B.

AVVISO

Non applicare grasso al bullone di montaggio o alla filettatura del gancio del deragliatore.

Spingere la rondella di registro B in avanti durante il montaggio del deragliatore. Non deve esserci alcuno spazio tra la rondella B e il gancio del deragliatore. Lo spazio può causare lo svitamento o il distacco del deragliatore dal bullone B.

MEDEDELING

Breng geen smeer aan de montagebout of schroefdraad van de derailleurhanger aan.

Duw de B-sluitring naar voren tijdens het installeren van de derailleur. Er mag geen ruimte tussen de B-sluitring en de derailleurhanger zijn. De derailleur kan van de B-bout loskomen als er ruimte aanwezig is.

B-Adjust Washer



NOTIFICAÇÃO

Não aplique massa lubrificante nos fios de rosca do perno de montagem nem do suspensor do derailleur.

Empurre a anilha de ajuste B para a frente quando instalar o derailleur. Não pode haver folga entre a anilha B e o suporte que suspende o derailleur. Uma folga pode causar que se solte ou separe o derailleur, desprendendo-se do perno B.

注意事項

取り付けボルトまたはディレイラー・ハンガーのスレッドにグリスを塗布しないでください。

ディレイラーを取り付ける際は、B 調節ワッシャーを前に押し込みます。B ワッシャーとディレイラー・ハンガーとの間に隙間があってはなりません。隙間があると、ディレイラーが B ボルトから緩んだり、壊れて外れてしまう場合があります。

注意

请勿在安装螺栓或变速器挂钩螺纹上涂抹润滑脂。

安装变速器时向前推动 B 调节垫圈。B 垫圈与变速器挂钩之间不得留有间隙。间隙会导致变速器松动或脱离 B 螺栓。



Install
Einbauen
Instalación

Installer
Installare
Monteren

Instalar
取り付け
安裝



Torque
Drehmoment
Momento

Valeur de couple
Coppia
Aandremoment

Momento de torção
締め付け
扭緊



Adjust
Einstellen
Ajustar

Régler
Regolare
Afstellen

Ajustar
調節
調節

Rear Derailleur Adjustments

A Einstellung des Schaltwerks

B Ajustes del desviador trasero

C Réglages du dérailleur arrière

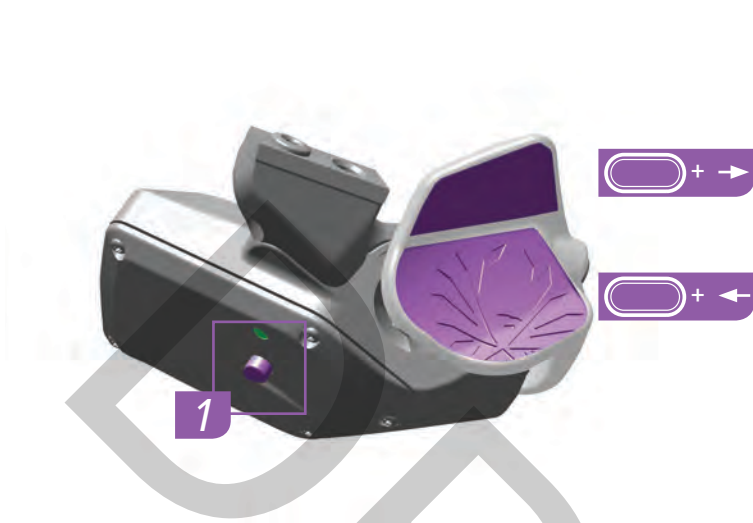
D Regolazioni del deragliatore posteriore

E De achterderrailleur afstellen

F Afinação do desviador/derailleur traseiro

G リア・ディレイラーの調節

H 后变速器调节



Align the pulley wheel with the center of the **2nd-largest cog** by adjusting the rear derailleur:

Press and hold the controller AXS™ button while pressing the paddle. Press downward on the paddle to adjust the derailleur inboard, and press upward on the paddle to adjust the derailleur outboard.

The rear derailleur may not appear to move. Watch for the derailleur LED to flash to confirm the derailleur executed the command.

Align the pulley wheel with the center of the **2nd-largest cog** by adjusting the rear derailleur:

Press and hold the controller AXS™ button while pressing the paddle. Press downward on the paddle to adjust the derailleur inboard, and press upward on the paddle to adjust the derailleur outboard.

The rear derailleur may not appear to move. Watch for the derailleur LED to flash to confirm the derailleur executed the command.

Align the pulley wheel with the center of the **2nd-largest cog** by adjusting the rear derailleur:

Press and hold the controller AXS™ button while pressing the paddle. Press downward on the paddle to adjust the derailleur inboard, and press upward on the paddle to adjust the derailleur outboard.

The rear derailleur may not appear to move. Watch for the derailleur LED to flash to confirm the derailleur executed the command.

Align the pulley wheel with the center of the **2nd-largest cog** by adjusting the rear derailleur:

Press and hold the controller AXS™ button while pressing the paddle. Press downward on the paddle to adjust the derailleur inboard, and press upward on the paddle to adjust the derailleur outboard.

The rear derailleur may not appear to move. Watch for the derailleur LED to flash to confirm the derailleur executed the command.

Align the pulley wheel with the center of the **2nd-largest cog** by adjusting the rear derailleur:

Press and hold the controller AXS™ button while pressing the paddle. Press downward on the paddle to adjust the derailleur inboard, and press upward on the paddle to adjust the derailleur outboard.

The rear derailleur may not appear to move. Watch for the derailleur LED to flash to confirm the derailleur executed the command.

Align the pulley wheel with the center of the **2nd-largest cog** by adjusting the rear derailleur:

Press and hold the controller AXS™ button while pressing the paddle. Press downward on the paddle to adjust the derailleur inboard, and press upward on the paddle to adjust the derailleur outboard.

The rear derailleur may not appear to move. Watch for the derailleur LED to flash to confirm the derailleur executed the command.

Align the pulley wheel with the center of the **2nd-largest cog** by adjusting the rear derailleur:

Press and hold the controller AXS™ button while pressing the paddle. Press downward on the paddle to adjust the derailleur inboard, and press upward on the paddle to adjust the derailleur outboard.

The rear derailleur may not appear to move. Watch for the derailleur LED to flash to confirm the derailleur executed the command.

Align the pulley wheel with the center of the **2nd-largest cog** by adjusting the rear derailleur:

Press and hold the controller AXS™ button while pressing the paddle. Press downward on the paddle to adjust the derailleur inboard, and press upward on the paddle to adjust the derailleur outboard.

The rear derailleur may not appear to move. Watch for the derailleur LED to flash to confirm the derailleur executed the command.

Align the pulley wheel with the center of the **2nd-largest cog** by adjusting the rear derailleur:

Press and hold the controller AXS™ button while pressing the paddle. Press downward on the paddle to adjust the derailleur inboard, and press upward on the paddle to adjust the derailleur outboard.

The rear derailleur may not appear to move. Watch for the derailleur LED to flash to confirm the derailleur executed the command.



Press & hold, shift
Press & hold, shift
Press & hold, shift

Press & hold, shift
Press & hold, shift
Press & hold, shift

Press & hold, shift
Press & hold, shift
Press & hold, shift



Measure
Messen
Medir

Mesurer
Misurare
Meten

Medir
計測
測量

Adjust Limit Screws

A Adjust Limit Screws

B Adjust Limit Screws

C Adjust Limit Screws

D Adjust Limit Screws

E Adjust Limit Screws

F Adjust Limit Screws

G Adjust Limit Screws

H Adjust Limit Screws

1

Shift the rear derailleur inboard to the largest cassette cog.

Shift the rear derailleur inboard to the largest cassette cog.

Shift the rear derailleur inboard to the largest cassette cog.

Shift the rear derailleur inboard to the largest cassette cog.

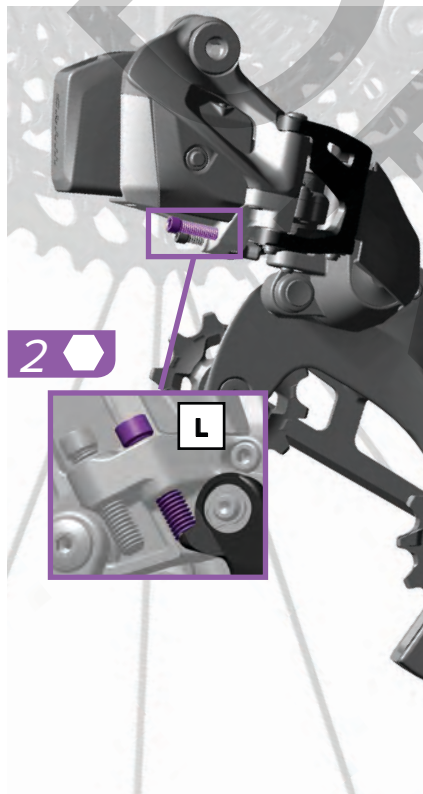
Shift the rear derailleur inboard to the largest cassette cog.

Shift the rear derailleur inboard to the largest cassette cog.

Shift the rear derailleur inboard to the largest cassette cog.

Shift the rear derailleur inboard to the largest cassette cog.

Shift the rear derailleur inboard to the largest cassette cog.



Adjust the low limit screw (L) so that it lightly contacts the inner link of the rear derailleur.

Adjust the low limit screw so that it lightly contacts the inner link of the rear derailleur.

Adjust the low limit screw so that it lightly contacts the inner link of the rear derailleur.

Adjust the low limit screw so that it lightly contacts the inner link of the rear derailleur.

Adjust the low limit screw so that it lightly contacts the inner link of the rear derailleur.

Adjust the low limit screw so that it lightly contacts the inner link of the rear derailleur.

Adjust the low limit screw so that it lightly contacts the inner link of the rear derailleur.

Adjust the low limit screw so that it lightly contacts the inner link of the rear derailleur.

Adjust the low limit screw so that it lightly contacts the inner link of the rear derailleur.

3 Shift the rear derailleur outboard to the smallest cog.

Shift the rear derailleur outboard to the smallest cog.

Shift the rear derailleur outboard to the smallest cog.

Shift the rear derailleur outboard to the smallest cog.

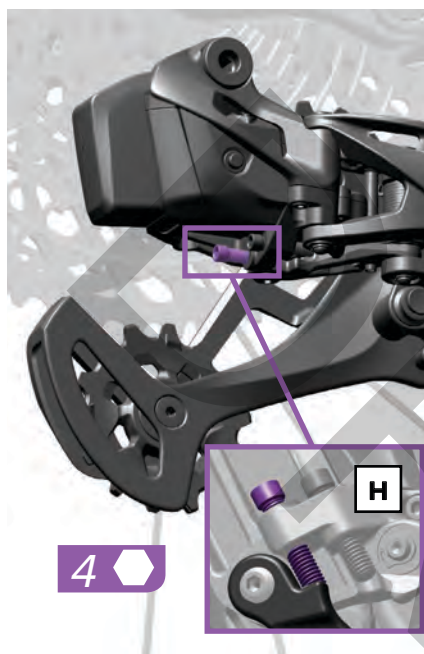
Shift the rear derailleur outboard to the smallest cog.

Shift the rear derailleur outboard to the smallest cog.

Shift the rear derailleur outboard to the smallest cog.

Shift the rear derailleur outboard to the smallest cog.

Shift the rear derailleur outboard to the smallest cog.



Adjust the high limit screw (H) until it lightly touches the inner link of the rear derailleur.

Adjust the high limit screw until it lightly touches the inner link of the rear derailleur.

Adjust the high limit screw until it lightly touches the inner link of the rear derailleur.

Adjust the high limit screw until it lightly touches the inner link of the rear derailleur.

Adjust the high limit screw until it lightly touches the inner link of the rear derailleur.

Adjust the high limit screw until it lightly touches the inner link of the rear derailleur.

Adjust the high limit screw until it lightly touches the inner link of the rear derailleur.

Adjust the high limit screw until it lightly touches the inner link of the rear derailleur.

Adjust the high limit screw until it lightly touches the inner link of the rear derailleur.

Chain Sizing

A Kettenlänge

B Ajuste de longitud de la cadena

C Longueur de la chaîne

D Dimensionamento della catena

E De ketting inkorten

F Tamanho da corrente

G チェーン長の調節

H 链条尺寸测量

NOTICE

A chain must be installed to properly adjust your derailleur. For detailed chain installation instruction, visit www.sram.com/service.

⚠ WARNING – CRASH HAZARD

Failure to size or connect the chain properly may lead to chain failure or cause the rider to crash, resulting in serious injury and/or death.

HINWEIS

Damit Sie Ihren Umwerfer/Ihr Schaltwerk ordnungsgemäß einstellen können, muss eine Kette montiert sein. Detaillierte Anweisungen zum Einbau der Kette finden Sie unter www.sram.com/service.

⚠ WARNUNG – UNFALLGEFAHR

Wenn Sie die Kette nicht korrekt kürzen oder richtig verbinden, kann die Kette versagen oder Unfälle verursachen, die zu schweren oder tödlichen Verletzungen führen können.

AVISO

Para poder ajustar bien el desviador, debe estar instalada una cadena. Puede encontrar instrucciones detalladas de instalación de la cadena en www.sram.com/service.

⚠ ATENCIÓN – RIESGO DE ACCIDENTE

Una cadena mal conectada o de longitud incorrecta puede resultar dañada o provocar un accidente, con consecuencias graves o incluso mortales para el ciclista.

AVIS

Pour pouvoir régler convenablement votre dérailleur, il faut d'abord installer une chaîne. Pour obtenir des instructions d'installation de la chaîne plus détaillées, consultez le site www.sram.com/service.

⚠ AVERTISSEMENT – RISQUE DE CHUTE

Le fait d'installer la chaîne de manière inappropriée ou de ne pas respecter la longueur adéquate peut entraîner une défaillance de la chaîne, ou la chute du cycliste, et provoquer des blessures graves voire mortelles.

AVVISO

Una catena deve essere installata per regolare correttamente il deragliatore. Per le istruzioni dettagliate di installazione della catena, visitare il sito www.sram.com/service.

⚠ AVVERTENZA – PERICOLO DI INCIDENTE

Il mancato dimensionamento corretto o il mancato collegamento della catena potrebbe comportare il cedimento della stessa o la caduta del biker con conseguenti gravi lesioni e/o la morte.

MEDEDELING

Breng de ketting aan om uw derailleur juist af te stellen. Voor gedetailleerde installatie-instructies voor de ketting, ga naar www.sram.com/service.

⚠ WAARSCHUWING – GEVAAR OP EEN ONGEVAL

Een onjuist ingekorte ketting of een verkeerde aansluiting kan de ketting beschadigen en leiden tot breuk. De fietser kan daarbij ten val komen wat tot ernstig letsel en/of de dood kan leiden.

NOTIFICAÇÃO

Uma corrente tem que estar montada para poder ajustar correctamente o seu derailleur. Para obter informações detalhadas sobre a instalação da corrente, visite www.sram.com/service.

⚠ AVISO – PERIGO DE ACCIDENTE

Se o tamanho da corrente não for determinado correctamente ou se ela não ficar fixada/fechada correctamente no seu lugar, poderá provocar a avaria da corrente ou fazer com que o ciclista tenha um acidente, de onde resultarão ferimentos graves e/ou morte.

注意事項

ディレイラーを正しく調節するため、チェーンを取り付ける必要があります。チェーンの詳しい取り付け方法は、www.sram.com/serviceに掲載されています。

⚠ 警告 – 事故につながる危険性

チェーン長の調節を適切に行わなかったか、または正しく固定しなかった場合は、チェーンの損傷、あるいは事故を引き起こし、重傷および/または死亡につながる可能性があります。

注意

必須安装链条，以便正常调节变速器。安装链条的详细说明请访问 www.sram.com/service。

⚠ 警告 – 撞伤隐患

链条尺寸测量不当或未适当连接，可能导致链条故障，或引起骑行者撞车，从而造成严重伤害甚至死亡。

Full Suspension Bicycles

- A Vollgefederte Fahrräder
- B Bicicletas de suspensión integral

c Vélos tout suspendus

- D Bicicletta a sospensione totale
- E Fietsen met voor- en achtervering

F Bicicletas com suspensão completa

- G フル・サスペンションの自転車
- H 全避震自行车

NOTICE

Full Suspension Frames: To size the chain, the rear shock must be compressed to the point in the travel where the rear axle is farthest from the bottom bracket. Deflate or remove the rear shock if necessary.

AVIS

Cadres tout suspendus : pour définir la bonne longueur de la chaîne, compressez l'amortisseur arrière jusqu'à ce que l'axe arrière se trouve le plus loin du boîtier de pédalier. Baissez la pression de l'amortisseur arrière ou retirez-le si nécessaire.

NOTIFICAÇÃO

Quadros com suspensão completa: Para pôr a corrente ao tamanho correcto, o amortecedor traseiro tem que estar comprimido até ao ponto, no seu curso, em que o eixo traseiro esteja o mais afastado possível do eixo pedaleiro. Descomprima/despressurize ou retire o amortecedor traseiro se for necessário.

HINWEIS

Vollgefederte Rahmen: Um die Länge der Kette einzustellen, lassen Sie den Hinterbaudämpfer auf die Position einfedern, an der die Hinterachse am weitesten vom Innenlager entfernt ist. Lassen Sie bei Bedarf die Luft aus dem Hinterbaudämpfer ab oder bauen Sie ihn aus.

AVVISO

Telai con sospensione totale: per dimensionare la catena, comprimere l'ammortizzatore posteriore fino al punto nella corsa in cui l'asse posteriore è alla distanza massima dal movimento centrale. Sgonfiare o rimuovere l'ammortizzatore posteriore se necessario.

注意事項

フル・サスペンション・フレーム: チェーンの長さを調節するには、リア・ショックを圧縮し、トラベルでリア・アクスルがボトム・ブラケットから最も遠い位置にくるようにします。必要であれば、リア・ショックの空気を抜くか、取り外してください。

AVISO

Cuadros con suspensión integral: Para ajustar el tamaño de la cadena, el amortiguador trasero debe comprimirse hasta el punto del recorrido en el que el eje trasero quede más alejado del eje de pedalier. Si es necesario, despresurice o desmonte el amortiguador trasero.

MEDEDELING

Frames met voor- en achtervering: Om de ketting in te korten, druk de achterschokdemper samen tot het punt waar de achteras zich het verste van de onderste trapas bevindt. Indien nodig, laat de achterschokdemper leeglopen of verwijder deze.

注意

全避震车架: 要测量链条尺寸, 请将后减震器压至后轴离中轴最远的行程位置。如有必要, 将后减震器放气或卸下。



Measure
Messen
Medir

Mesurer
Misurare
Meten

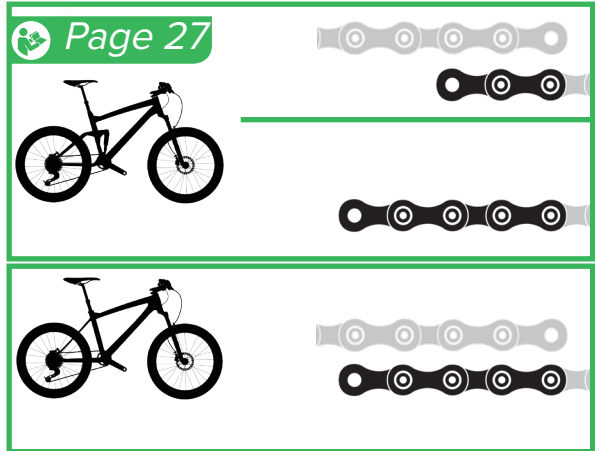
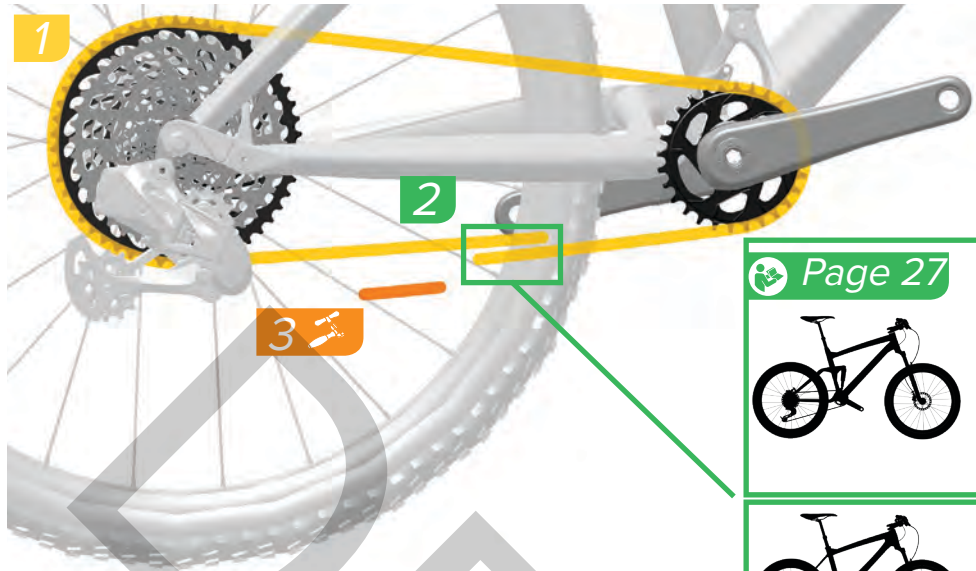
Medir
計測
測量



Adjust
Einstellen
Ajustar

Régler
Regolare
Afstellen

Ajustar
調節
调节



Wrap the chain around the large chainring and largest cassette cog.

For **full suspension** bicycles, add one inner link and one outer link where the chain starts to overlap. For **hardtail** bicycles, add two inner links and two outer links where the chain starts to overlap.

Use a chain breaker tool to break the chain at the inner link.

Faites passer la chaîne autour du grand plateau et autour du plus grand pignon de la cassette.

Avec les vélos **tout suspendus**, ajoutez un maillon interne et un maillon externe à l'endroit où les deux extrémités de la chaîne se rejoignent. Avec les vélos **suspendus à l'avant**, ajoutez deux maillons internes et deux maillons externes à l'endroit où les deux extrémités de la chaîne se rejoignent.

À l'aide d'un dérive-chaîne, déboîtez la chaîne au niveau du maillon interne.

Enrole a corrente em redor da cremalheira grande e do carreto maior da cassette.

Para bicicletas com **suspensão completa**, acrescente um elo interior e um elo exterior onde a corrente começar a sobrepor-se. Para bicicletas com **traseira rija**, acrescente dois elos interiores e dois elos exteriores onde a corrente começar a sobrepor-se.

Use uma ferramenta de cortar (abrir) a corrente para a cortar de forma a ficar com um elo interior na extremidade.

Führen Sie die Kette um das große Kettenblatt und den größten Zahnkranz.

Bei **vollgefederten** Fahrrädern fügen Sie an dem Punkt, an dem sich die Kette zu überlappen beginnt, ein inneres und ein äußeres Glied hinzu. Bei **Hardtail**-Fahrrädern fügen Sie an dem Punkt, an dem sich die Kette zu überlappen beginnt, zwei innere und zwei äußere Glieder hinzu.

Verwenden Sie einen Kettennietdrücker, um die Kette am inneren Glied zu öffnen.

Engrane la cadena alrededor del plato grande y del piñón más grande del casete.

En bicicletas de **suspensión integral**, añada un eslabón interior y otro exterior en el punto por donde la cadena empieza a solaparse. En bicicletas **sin suspensión trasera**, añada dos eslabones interiores y dos exteriores en el punto por donde la cadena empieza a solaparse.

Utilice un tronchacadenas para abrir la cadena por el eslabón interior.

Avvolgere la catena attorno alla corona dentata grande e al pignone più grande della cassetta.

Per biciclette a **sospensione totale**, aggiungere una maglia interna ed una maglia esterna nel punto in cui la catena inizia a sovrapporsi. Per biciclette con **telaio a coda rigida**, aggiungere due maglie interne e due maglie esterne nel punto in cui la catena inizia a sovrapporsi.

Utilizzare uno smagliacatena per spezzare la catena in corrispondenza della maglia interna.

Wikkel de ketting rond het grote kettingblad en het grootste cassettetandwiel.

Voor fietsen met voor- en achtervering, voeg één binnenschakel en één buitenschakel toe op het punt waar de ketting start met overlappen. Voor hardtail-fietsen, voeg twee binnenschakels en twee buitenschakels toe op het punt waar de ketting start met overlappen.

Gebruik een kettingpons om de ketting bij de binnenschakel te breken.

大きなチェーンリングと最も大きなカセット・コグの周りにチェーンを巻きつけます。

フル・サスペンションの自転車には、チェーンが重なり始める部分にインナー・リンクとアウター・リンクを1つずつ追加します。**ハードテイル**の自転車には、チェーンが重なり始める部分にインナー・リンクとアウター・リンクを2つずつ追加してください。

インナー・リンクの箇所ではチェーンを分割する際は、チェーン分割ツールを使用してください。

将链条缠绕在大链环和最大的齿轮上。

对于**全避震**自行车，在链条开始重叠处添加一个内链接和一个外链接。对于**硬尾**自行车，在链条开始重叠处添加两个内链接和两个外链接。

用拆链工具在内链接处拆开链条。



Install
Einbauen
Instalación

Installer
Installare
Monteren

Instalar
取り付け
安裝



Measure
Messen
Medir

Mesurer
Misurare
Meten

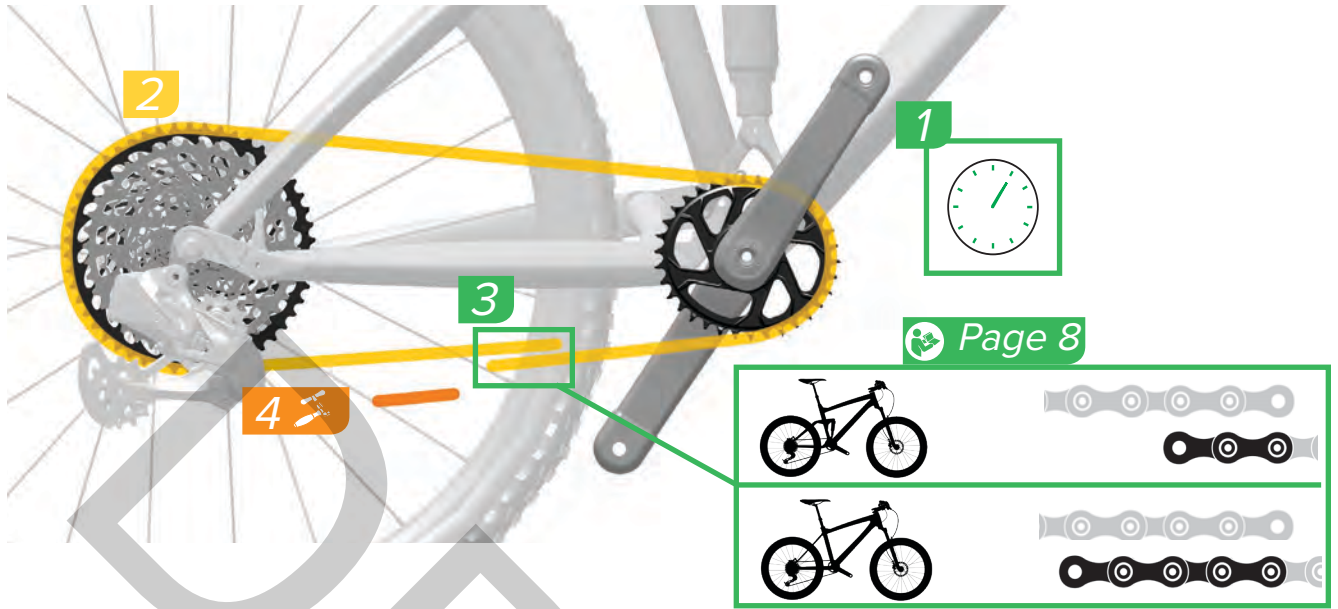
Medir
計測
測量



Remove
Entfernen
Quitar

Retirer
Rimuovere
Verwijderen

Retirar
取り外し
拆卸



Rotate the crank arm to the 1 o'clock position.

Wrap the chain around the chainring and largest cassette cog.

For **full suspension** bicycles, add one inner link and one outer link where the chain starts to overlap. For **hardtail** bicycles, add two inner links and two outer links where the chain starts to overlap.

Use a chain breaker tool to break the chain at the inner link.

Drehen Sie den Kurbelarm in die 1-Uhr-Position.

Führen Sie die Kette um das große Kettenblatt und den größten Zahnkranz.

Bei **vollgefederten** Fahrrädern fügen Sie an dem Punkt, an dem sich die Kette zu überlappen beginnt, ein inneres und ein äußeres Glied hinzu. Bei **Hardtail**-Fahrrädern fügen Sie an dem Punkt, an dem sich die Kette zu überlappen beginnt, zwei innere und zwei äußere Glieder hinzu.

Verwenden Sie einen Kettennietdrücker, um die Kette am inneren Glied zu öffnen.

Gire la biela a la posición de la 1 en punto.

Engrane la cadena alrededor del plato grande y del piñón más grande del casete.

En bicicletas de **suspensión integral**, añada un eslabón interior y otro exterior en el punto por donde la cadena empieza a solaparse. En bicicletas **sin suspensión trasera**, añada dos eslabones interiores y dos exteriores en el punto por donde la cadena empieza a solaparse.

Utilice un tronchacadenas para abrir la cadena por el eslabón interior.

Tournez la manivelle de manière à la positionner à 1 heure.

Faites passer la chaîne autour du grand plateau et autour du plus grand pignon de la cassette.

Avec les vélos **tout suspendus**, ajoutez un maillon interne et un maillon externe à l'endroit où les deux extrémités de la chaîne se rejoignent. Avec les vélos **suspendus à l'avant**, ajoutez deux maillons internes et deux maillons externes à l'endroit où les deux extrémités de la chaîne se rejoignent.

À l'aide d'un dérive-chaîne, déboîtez la chaîne au niveau du maillon interne.

Ruotare la pedivella in posizione a ore 1.

Avvolgere la catena attorno alla corona dentata grande e al pignone più grande della cassetta.

Per biciclette a **sospensione totale**, aggiungere una maglia interna ed una maglia esterna nel punto in cui la catena inizia a sovrapporsi. Per biciclette con **telaio a coda rigida**, aggiungere due maglie interne e due maglie esterne nel punto in cui la catena inizia a sovrapporsi.

Utilizzare uno smaglicatena per spezzare la catena in corrispondenza della maglia interna.

Draai de crankarm naar de 1 uur positie.

Wikkel de ketting rond het grote kettingblad en het grootste cassetetandwiel.

Voor fietsen met voor- en achtervering, voeg één binnenschakel en één buitenschakel toe op het punt waar de ketting start met overlappen. Voor hardtail-fietsen, voeg twee binnenschakels en twee buitenschakels toe op het punt waar de ketting start met overlappen.

Gebruik een kettingpons om de ketting bij de binnenschakel te breken.

Rode o braço da manivela para a posição da 1 hora num relógio.

Enrole a corrente em redor da cremalheira grande e do carreto maior da cassetete.

Para bicicletas com **suspensão completa**, acrescente um elo interior e um elo exterior onde a corrente começar a sobrepor-se. Para bicicletas com **traseira rija**, acrescente dois elos interiores e dois elos exteriores onde a corrente começar a sobrepor-se.

Use uma ferramenta de cortar (abrir) a corrente para a cortar de forma a ficar com um elo interior na extremidade.

クランクアームを時計の1時の位置に回転させます。

大きなチェーンリングと最も大きなカセット・コグの周りにチェーンを巻きつけます。

フル・サスペンションの自転車には、チェーンが重なり始める部分にインナー・リンクとアウター・リンクを1つずつ追加します。**ハードテイル**の自転車には、チェーンが重なり始める部分にインナー・リンクとアウター・リンクを2つずつ追加してください。

インナー・リンクの箇所ではチェーンを分割する際は、チェーン分割ツールを使用してください。

将曲臂转动至1点钟位置。

将链条缠绕在大链环和最大的齿轮上。

对于**全避震**自行车，在链条开始重叠处添加一个内链接和一个外链接。对于**硬尾**自行车，在链条开始重叠处添加两个内链接和两个外链接。

用拆链工具在内链接处拆开链条。



Install
Einbauen
Instalación

Installer
Installare
Monteren

Instalar
取り付け
安装



Measure
Messen
Medir

Mesurer
Misurare
Meten

Medir
計測
測量



Remove
Entfernen
Quitar

Retirer
Rimuovere
Verwijderen

Retirar
取り外し
拆卸

Chain Installation

A Kettenmontage

B Instalación de la cadena

C Installation de la chaîne

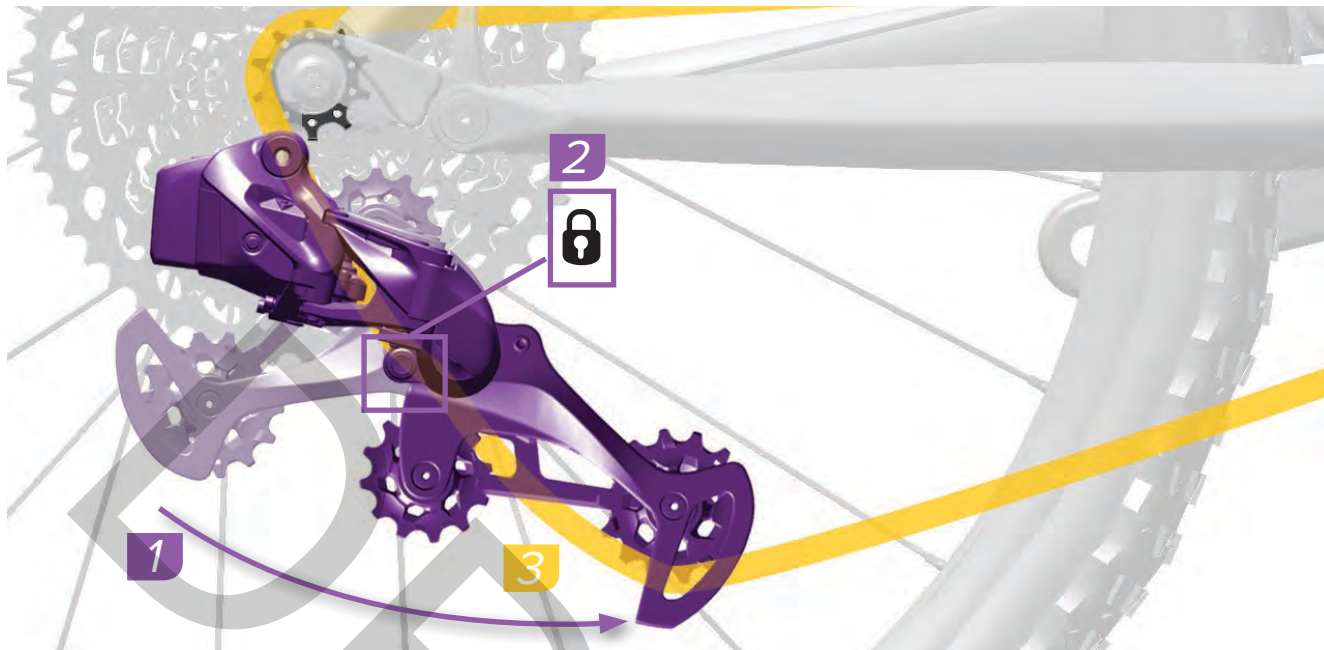
D Installazione della catena

E De ketting installeren

F Instalação da Corrente

G チェーンの取り付け

H 链条安装



Shift the chain to the smallest cassette cog.

Rotate the derailleur cage forward and press the Cage Lock™ lock button to lock the derailleur in the extended position.

Route the chain through the derailleur pulleys.

Déplacez la chaîne sur le plus petit pignon de la cassette.

Faites basculer la chape du dérailleur vers l'avant puis appuyez sur le bouton de verrouillage Cage Lock afin de verrouiller le dérailleur dans sa position d'extension.

Faites passer la chaîne à travers les galets du dérailleur.

Mova a corrente para o carreto mais pequeno da cassette.

Rode a armação do derailleur para a frente e pressione o botão de trancar o Cage Lock, para trancar o derailleur na posição estendida.

Encaminhe a corrente através das polias guias do derailleur/desviador.

⚠ WARNING - PINCH HAZARD

The derailleur is spring loaded and will return from the Cage Lock position rapidly. Keep fingers clear of pinch points.

Schalten Sie die Kette auf den kleinsten Zahnkranz.

Drehen Sie den Schaltwerkkräftig nach vorn und drücken Sie den Cage Lock-Verriegelungsknopf, um das Schaltwerk in der vorgeschobenen Position zu verriegeln.

Führen Sie die Kette durch die Umlenkrollen des Schaltwerks.

⚠ AVVERTIMENTO - RISQUE DE PINCEMENT

⚠ AVVERTIMENTO - RISQUE DE PINCEMENT

Le dérailleur est monté sur ressort et se désengagera de la position Cage Lock très rapidement. Éloignez vos doigts des points de pincement.

Spostare la catena fino al pignone più piccolo della cassette.

Ruotare la gabbia del deragliatore in avanti e premere il pulsante Cage Lock per bloccare il deragliatore nella posizione estesa.

Far passare la catena attraverso le pulegge del deragliatore.

⚠ AVISO - PERIGO DE ENTALAMENTO

O derrailleur/desviador tem efeito de mola e vai recolher/ressaltar desde a posição Cage Lock (tranca da armação) rapidamente. Mantenha os dedos fora dos pontos de entalamento.

チェーンを最も小さなカセット・コグにシフトします。

ディレイラー・ケージを前に回転させ、Cage Lockのロック・ボタンを押して、ディレイラーを伸張した位置にロックします。

ディレイラーのプーリーを通してチェーンをルーティングします。

⚠ AVVERTENZA - PERICOLO DI PIZZICAMENTO

Das Schaltwerk ist federbelastet und kehrt schnell aus der Cage Lock-Position zurück. Halten Sie die Finger von Quetschstellen fern.

Cambie la cadena al piñón más pequeño del casete.

Gire hacia adelante la jaula del desviador y presione el botón de bloqueo del mecanismo Cage Lock para dejar bloqueado el desviador en la posición extendida.

Haga pasar la cadena a través de las roldanas del desviador.

⚠ AVVERTENZA - PERICOLO DI PIZZICAMENTO

Il deragliatore è caricato a molla e ritornerà rapidamente dalla posizione Cage Lock. Tenere le dita lontane dai punti di rischio.

⚠ AVVERTENZA - PERICOLO DI PIZZICAMENTO

Il deragliatore è caricato a molla e ritornerà rapidamente dalla posizione Cage Lock. Tenere le dita lontane dai punti di rischio.

Breng de ketting naar het kleinste cassetetandwiel.

Draai de derailleurkooi naar voren en druk op de Cage Lock-vergrendelingsknop om de derailleur in de uitgestrekte positie vast te zetten.

Leid de ketting door de leirollen van de derailleur.

⚠ WAARSCHUWING - BEKLEMMINGSGEVAAR

De derailleur is voorzien van een veer en keert snel terug uit de Cage Lock-positie. Houd uw vingers uit de buurt van de klempunten.

⚠ 警告 - 指を挟まれる危険性

ディレイラーにはスプリングが組み込まれており、Cage Lockのポジションから急に戻ります。挟まれる箇所に指を置かないでください。

将链条移到最小的齿轮上。

向前转动变速器导板，并按压 Cage Lock 锁止按钮，将变速器锁定在伸展位置。

将链条穿过变速器滑轮。

⚠ 小心 - 夹伤隐患

变速器装有弹簧，会快速从 Cage Lock 位置弹回。请保持手指与夹点的距离。



Adjust
Einstellen
Ajustar

Régler
Regolare
Afstellen

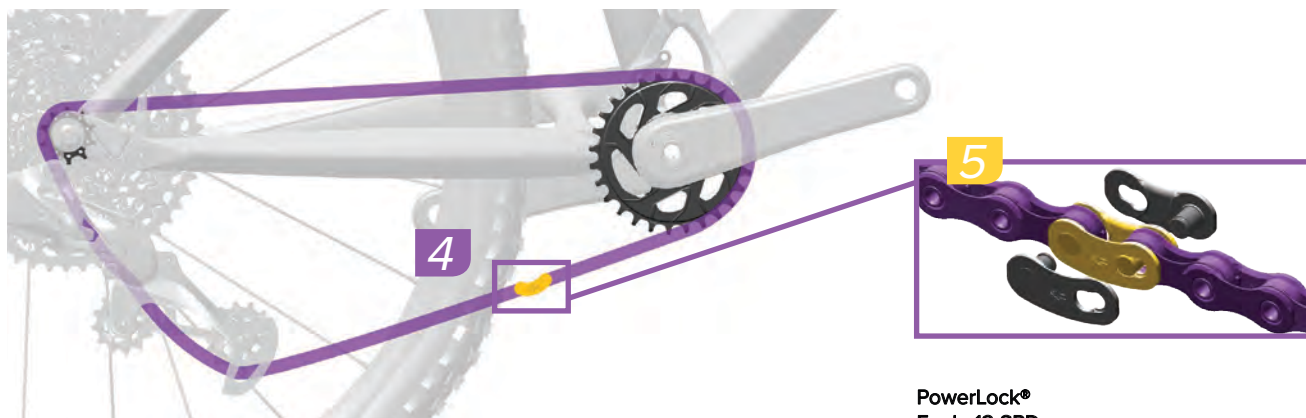
Ajustar
調節
調整



Install
Einbauen
Instalación

Installer
Installare
Monteren

Instalar
取り付け
安装



PowerLock®
Eagle 12 SPD



Pull each end of the chain together and install the PowerLock. Press the PowerLock connector links together.

NOTICE

The arrow must point in the direction of chain travel before locking the PowerLock into place. Once locked, the PowerLock cannot be disconnected.

Ziehen Sie die beiden Enden der Kette zusammen und montieren Sie den PowerLock-Verschluss. Drücken Sie die beiden PowerLock-Verschlussglieder zusammen.

HINWEIS

Der Pfeil muss in die Kettenlaufrichtung weisen, bevor Sie den PowerLock-Verschluss verschließen. Der PowerLock-Verschluss kann nach dem Verschließen nicht mehr geöffnet werden.

Tire a la vez de ambos extremos de la cadena e instale el PowerLock. Presione uno contra otro los eslabones del conector PowerLock.

AVISO

Antes de dejar bloqueado el eslabón PowerLock en su posición, la flecha debe estar apuntando en la dirección de avance de la cadena. Una vez bloqueado, el eslabón PowerLock no puede desconectarse.

Rapprochez les deux extrémités de la chaîne et installez le PowerLock. Enfoncez les deux parties du PowerLock l'une dans l'autre.

AVIS

Avant de verrouiller le PowerLock, vérifiez que la flèche pointe bien dans le sens de rotation de la chaîne. Une fois verrouillé, le PowerLock ne peut plus s'ouvrir.

Tirare le estremità della catena e installare il PowerLock. Premere insieme le maglie del PowerLock.

AVVISO

La freccia deve essere rivolta nella direzione di movimento della catena prima di bloccare il PowerLock in posizione. Una volta bloccato, il PowerLock non può essere scollegato.

Trek beide uiteinden van de ketting naar elkaar toe en monteer de PowerLock. Druk de verbindingen van de PowerLock samen.

MEDEDELING

De pijl moet naar de draairichting van de ketting zijn gericht voordat u de PowerLock op zijn plaats vergrendeld. Eenmaal vergrendeld, kan de PowerLock niet langer worden ontkoppeld.

Puxe ambas as extremidades da corrente, juntando-as, e instale o PowerLock. Comprima os elementos de ligação do PowerLock juntando-os.

NOTIFICAÇÃO

A seta tem que apontar na direcção do movimento da corrente, antes de bloquear/fechar o PowerLock no seu lugar. Uma vez bloqueado/fechado, o PowerLock não poderá ser desligado/aberto.

チェーンの両端を引き寄せ、PowerLockを取り付けます。PowerLockのコネクター・リンク同士を押しします。

注意事項

PowerLockを所定の位置にロックする前に、矢印がチェーンの作動方向に向いていることを必ず確認してください。PowerLockは一度ロックすると取り外すことはできません。

将链条的两端拉到一起并安装 PowerLock。将 PowerLock 链条扣按压到一起。

注意

将 PowerLock 锁定到位前请确保箭头指向链条转动的方向。一旦锁定，PowerLock 不能再断开。



Adjust
Einstellen
Ajustar

Régler
Regolare
Afstellen

Ajustar
調節
調整



Install
Einbauen
Instalación

Installer
Installare
Monteren

Instalar
取り付け
安装



Release the Cage Lock™ by rotating the cage forward then carefully letting it return to the unlocked position.

Relâchez le Cage Lock en faisant tourner la chape vers l'avant, puis laissez-la lentement retourner à la position déverrouillée.

Solte o Cage Lock rodando a armação para a frente e depois deixando-a cuidadosamente regressar à posição destrancada.

Geben Sie die Cage Lock-Verriegelung frei, indem Sie den Käfig nach vorn drehen und dann vorsichtig in die entriegelte Position zurückkehren lassen.

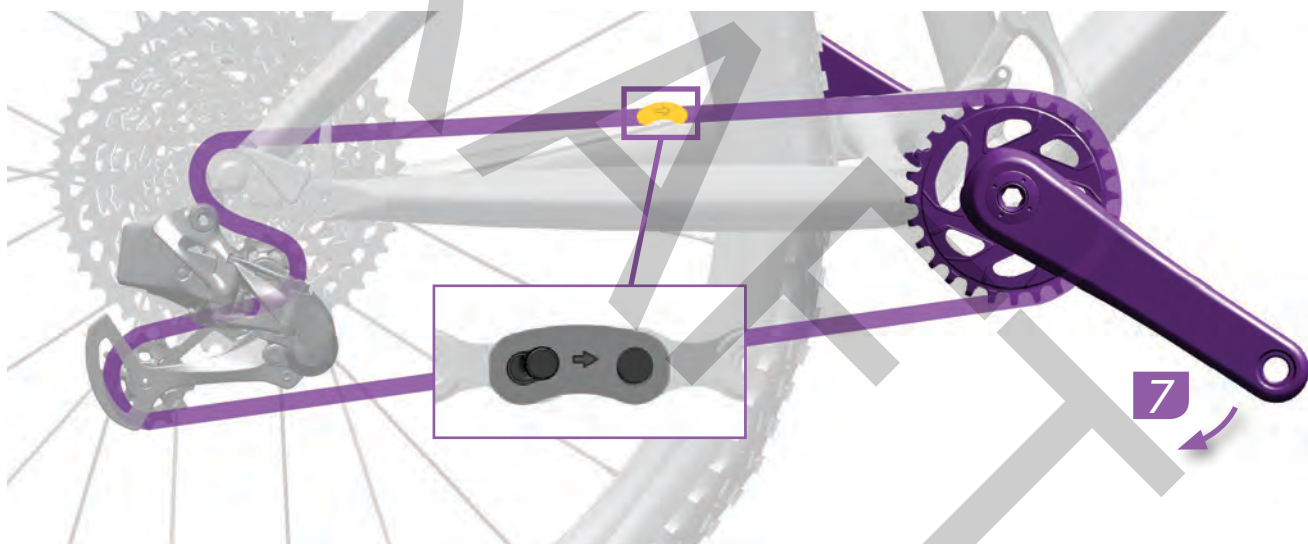
Rilasciare il Cage Lock ruotando la gabbia in avanti quindi con cautela facendola tornare alla posizione di sblocco.

ケージを前に回転させて Cage Lock をリリースし、ロック解除のポジションに注意深く戻します。

Para liberar el mecanismo Cage Lock, gire la jaula hacia adelante y déjela volver con cuidado a la posición de desbloqueo.

Maak de Cage Lock los door de kooi naar voren te draaien en voorzichtig naar de ontgrendelde positie terug te brengen.

向前转动导板，然后让其缓缓回到未锁止位置，释放 Cage Lock。



Rotate the crank until the PowerLock® is above the chainstay.

Faites tourner la manivelle jusqu'à ce que le PowerLock se situe au-dessus de la base du cadre.

Rode a manivela até que o PowerLock fique acima do suporte traseiro da corrente (escora inferior do quadro).

Drehen Sie die Kurbel, bis sich der PowerLock-Verschluss über der Kettenstrebe befindet.

Ruotare la pedivella fino a che il PowerLock non si trovi al di sopra del forcellino batticatena.

PowerLock がチェーンステイの上部に来るまで、クランクを回します。

Haga girar la biela hasta que el eslabón PowerLock quede por encima de la vaina del cuadro.

Draai de crank totdat de PowerLock zich boven de liggende achtervork bevindt.

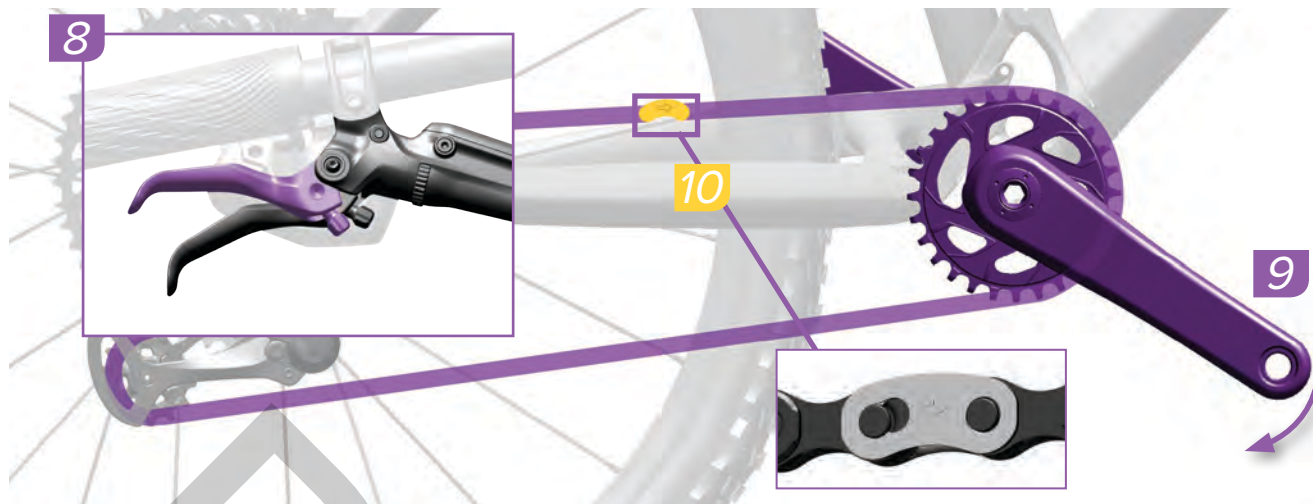
旋转曲柄，直至 PowerLock 位于护链贴上方。



Adjust
Einstellen
Ajustar

Régler
Regolare
Afstellen

Ajustar
調節
調節



Check that the two halves of the PowerLock® are properly aligned.

Apply the rear brake and firmly push the crank arm down to lock the PowerLock. You should hear and feel the PowerLock click into place.

Check the PowerLock by hand to make sure it moves freely.

Vérifiez que les deux parties du PowerLock soient parfaitement alignées.

Serrez le frein arrière et appuyez fortement sur la manivelle vers le bas pour verrouiller le PowerLock. Vous devez entendre et sentir le PowerLock se mettre en place.

Vérifiez à la main que le PowerLock pivote librement.

Verifique que as duas metades do PowerLock estejam correctamente alinhadas.

Aplique o travão traseiro e empurre com firmeza o braço da manivela para baixo, para bloquear/fechar o PowerLock. Deverá ouvir um estalido e sentir o PowerLock encaixar/fechar no seu lugar.

Verifique o PowerLock com a mão para se assegurar de que ele se move livremente.

⚠CAUTION

The PowerLock is designed for one-time use only. The PowerLock can only be removed with a chain breaker tool and must not be re-used. Install a new PowerLock each time a new chain is installed.

⚠ATTENTION

Le PowerLock est conçu pour un usage unique. Le PowerLock ne peut être retiré qu'à l'aide d'un dérive-chaîne et ne doit pas être réutilisé. Installez un PowerLock neuf à chaque fois qu'une nouvelle chaîne est installée.

⚠CUIDADO

O PowerLock foi concebido para ser usado apenas uma vez. O PowerLock só pode ser retirado com uma ferramenta de cortar (abrir) a corrente, e não pode ser usado de novo. Instale um PowerLock novo cada vez que uma nova corrente for instalada.

Stellen Sie sicher, dass die beiden Hälften des PowerLock-Verschlusses ordnungsgemäß ausgerichtet sind.

Betätigen Sie die Hinterradbremse und ziehen Sie den Kurbelarm kräftig nach unten, um den PowerLock-Verschluss zu verschließen. Sie sollten hören und spüren, wie der PowerLock-Verschluss einrastet.

Prüfen Sie den PowerLock-Verschluss von Hand, um sicherzustellen, dass er frei beweglich ist.

Controllare che le due metà del PowerLock siano allineate correttamente.

Applicare il freno posteriore e spingere il braccio della pedivella verso il basso per bloccare il PowerLock. Si deve sentire e percepire il PowerLock che scatta in posizione.

Controllare il PowerLock a mano per assicurarsi che si muova liberamente.

それぞれのPowerLockの位置が、きちんと揃っていることを確認します。

リア・ブレーキを使用し、クランク・アームをしっかりと押し下げ、PowerLockをロックします。PowerLockが所定の位置に収まると、カチッという音と感触が伝わるはずですが。

PowerLockが支障なく動くことを、手で確認します。

⚠VORSICHT

Der PowerLock-Verschluss ist nur für den einmaligen Gebrauch bestimmt! Der PowerLock-Verschluss kann nur mit einem Kettennietdrücker entfernt werden und darf nicht wiederverwendet werden. Bringen Sie jedes Mal einen neuen PowerLock-Verschluss an, wenn Sie eine neue Kette montieren.

⚠ATTENZIONE

Il PowerLock è solo monouso. Il PowerLock può essere rimosso solo con uno smagliacatena e non deve essere riutilizzato. Installare un nuovo PowerLock ogni volta che si installa una nuova catena.

⚠警告

PowerLockは1度しか使用できないように作られています。PowerLockはチェーン分割ツールのみで取り外すことができ、再度使用することはできません。新しいチェーンを取り付けるたびに、新しいPowerLockを使用してください。

Compruebe que las dos mitades del eslabón PowerLock estén bien alineadas.

Aplique el freno trasero y empuje con fuerza la biela hacia abajo para bloquear el eslabón PowerLock. Debería notar y oír el clic que hace el eslabón PowerLock al encajar.

Compruebe con la mano el eslabón PowerLock para asegurarse de que puede moverse sin restricciones.

Controleer of de twee helften van de PowerLock juist zijn uitgelijnd.

Trek de achterrem aan en duw de crankarm stevig omlaag om de PowerLock te vergrendelen. U moet horen en voelen hoe de PowerLock op zijn plaats klikt.

Controleer met de hand of de PowerLock vrij kan bewegen.

检查 PowerLock 的两半是否正确对齐。

握住后刹，用力向下推曲柄臂将 PowerLock 锁定。您应听到“咔哒”声并感觉 PowerLock 锁定到位。

手动检查 PowerLock，确保它能自由活动。

⚠PRECAUCIÓN

El eslabón PowerLock está diseñado para un solo uso. Un eslabón PowerLock sólo puede desmontarse con un tronchacadenas, y no debe reutilizarse una vez desmontado. Cada vez que instale una cadena, instale un nuevo eslabón PowerLock.

⚠OPGELET

De PowerLock is alleen ontworpen voor eenmalig gebruik. De PowerLock kan alleen met behulp van een kettingpons worden verwijderd en kan niet opnieuw worden gebruikt. Installeer een nieuwe PowerLock telkens u een nieuwe ketting monteert.

⚠注意事項

PowerLock 为一次性用品。PowerLock 只能用拆链工具拆卸且不能再次使用。每次安装新链条时请安装新的 PowerLock。



Adjust
Einstellen
Ajustar

Régler
Regolare
Afstellen

Ajustar
調節
調整

Chain Gap Adjustment

- A Einstellung des Kettenabstands
- B Ajuste del espacio de separación de la cadena

- C Réglage du passage de la chaîne
- D Regolazione del chain gap
- E Kettingspeling afstellen

- F Ajuste da folga da corrente
- G チェーン間隔の調節
- H 链距调节



Shift the chain onto the second largest cassette cog.

NOTICE

For full suspension bicycles, measure the chain gap while the bicycle is in the sag position.

For Eagle® X-SYNC™ 2 Oval chainrings, rotate the crankarm to the 4 o'clock position prior to rotating the B-Adjust Screw.

Shift the chain onto the 42T cog, the second largest cassette cog.

HINWEIS

Messen Sie bei vollgefederten Fahrrädern den Kettenabstand im Sag (Fahrrad mit Fahrer statisch belastet).

Drehen Sie bei ovalen Eagle X-SYNC 2-Kettenblättern den Kurbelarm in die 4-Uhr-Position, bevor Sie die B-Einstellschraube drehen.

Shift the chain onto the 42T cog, the second largest cassette cog.

AVISO

En bicicletas con suspensión integral, mida el espacio de separación de la cadena mientras la bicicleta se encuentra en la posición de precarga (sag).

Para los platos ovalados Eagle X-SYNC 2, gire la biela a la posición de las 4 en punto antes de girar el tornillo de ajuste B.

Shift the chain onto the 42T cog, the second largest cassette cog.

AVIS

Pour les vélos tout suspendus, mesurez l'espace autour de la chaîne lorsque le vélo est en position d'affaissement (sag).

Pour les plateaux Eagle X-SYNC 2 Oval, tournez la manivelle de manière à la positionner à 4 heures avant de tourner la vis de réglage B.

Shift the chain onto the 42T cog, the second largest cassette cog.

AVVISO

Per bicicletta a sospensione totale, misurare il chain gap mentre la bicicletta è in posizione di abbassamento (sag).

Per corone dentate ovali Eagle X-SYNC 2, ruotare la pedivella alle ore 4 prima della rotazione della vite di regolazione B.

Shift the chain onto the 42T cog, the second largest cassette cog.

MEDEDELING

Voor fietsen met voor- en achtervering, meet de kettingspeling terwijl de fiets ingeveerd is (sag).

Voor Eagle X-SYNC 2 ovalen kettingsbladen, draai de crankarm naar de 4 uur positie voordat u aan de B-stelschroef draait.

Shift the chain onto the 42T cog, the second largest cassette cog.

NOTIFICAÇÃO

Para bicicletas com suspensão completa, meça a folga da corrente enquanto a bicicleta está na posição de retracção (sag).

Para as cremalheiras Eagle X-SYNC 2 Oval, rode o braço da manivela para a posição das 4 horas num relógio, antes de rodar o parafuso de ajuste B.

Shift the chain onto the 42T cog, the second largest cassette cog.

注意事項

フル・サスペンションの自転車の場合は、自転車をサグ・ポジションにして、チェーンのギャップを計測します (sag)。

Eagle X-SYNC 2 楕円チェーンリングの場合は、B テンション調節ネジを回転させる前に、クランクアームを時計の 4 時の位置に回転させてください。

Shift the chain onto the 42T cog, the second largest cassette cog.

注意

对于全避震自行车，测量自行车处于松弛位置时的链隙 (sag)。

对于 Eagle X-SYNC 2 Oval 链环，请先将曲臂转动至 4 点钟位置，然后方可转动 B 调节螺钉。

Chain Gap Adjustment with Gauge

A Chain gap adjustment with gauge

B Chain gap adjustment with gauge

C Chain gap adjustment with gauge

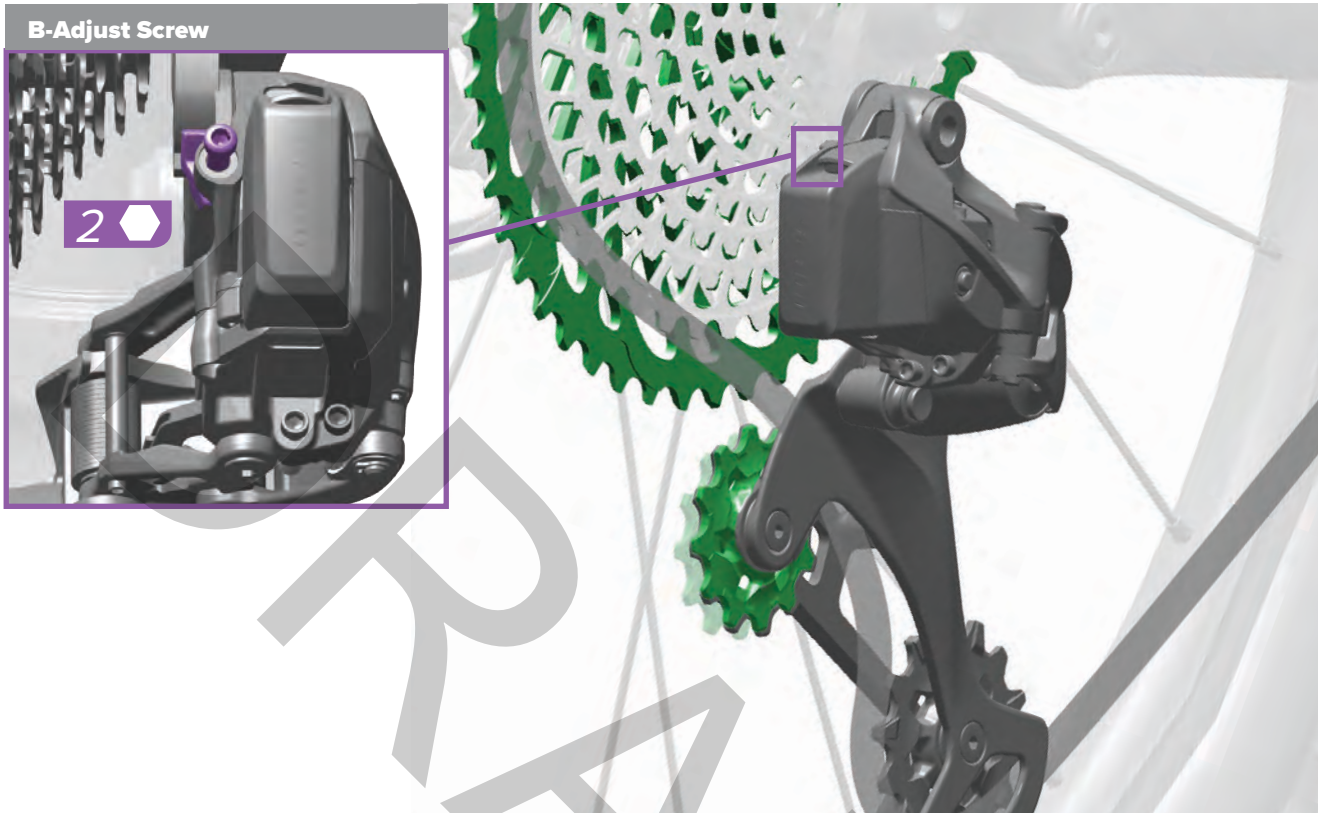
D Chain gap adjustment with gauge

E Chain gap adjustment with gauge

F Chain gap adjustment with gauge

G Chain gap adjustment with gauge

H Chain gap adjustment with gauge



Shift the rear derailleur inboard to the largest cog.

Install the chain gap adjustment gauge onto the upper pulley wheel.

Turn the B-Adjust screw to align the tallest teeth of the largest cassette cog with the groove outline on the gauge that matches your cassette size.

Shift the rear derailleur inboard to the largest cog.

Install the chain gap adjustment gauge onto the upper pulley wheel.

Turn the B-Adjust screw to align the tallest teeth of the largest cassette cog with the groove outline on the gauge that matches your cassette size.

Shift the rear derailleur inboard to the largest cog.

Install the chain gap adjustment gauge onto the upper pulley wheel.

Turn the B-Adjust screw to align the tallest teeth of the largest cassette cog with the groove outline on the gauge that matches your cassette size.

Shift the rear derailleur inboard to the largest cog.

Install the chain gap adjustment gauge onto the upper pulley wheel.

Turn the B-Adjust screw to align the tallest teeth of the largest cassette cog with the groove outline on the gauge that matches your cassette size.

Shift the rear derailleur inboard to the largest cog.

Install the chain gap adjustment gauge onto the upper pulley wheel.

Turn the B-Adjust screw to align the tallest teeth of the largest cassette cog with the groove outline on the gauge that matches your cassette size.

Shift the rear derailleur inboard to the largest cog.

Install the chain gap adjustment gauge onto the upper pulley wheel.

Turn the B-Adjust screw to align the tallest teeth of the largest cassette cog with the groove outline on the gauge that matches your cassette size.

Shift the rear derailleur inboard to the largest cog.

Install the chain gap adjustment gauge onto the upper pulley wheel.

Turn the B-Adjust screw to align the tallest teeth of the largest cassette cog with the groove outline on the gauge that matches your cassette size.

Shift the rear derailleur inboard to the largest cog.

Install the chain gap adjustment gauge onto the upper pulley wheel.

Turn the B-Adjust screw to align the tallest teeth of the largest cassette cog with the groove outline on the gauge that matches your cassette size.

Shift the rear derailleur inboard to the largest cog.

Install the chain gap adjustment gauge onto the upper pulley wheel.

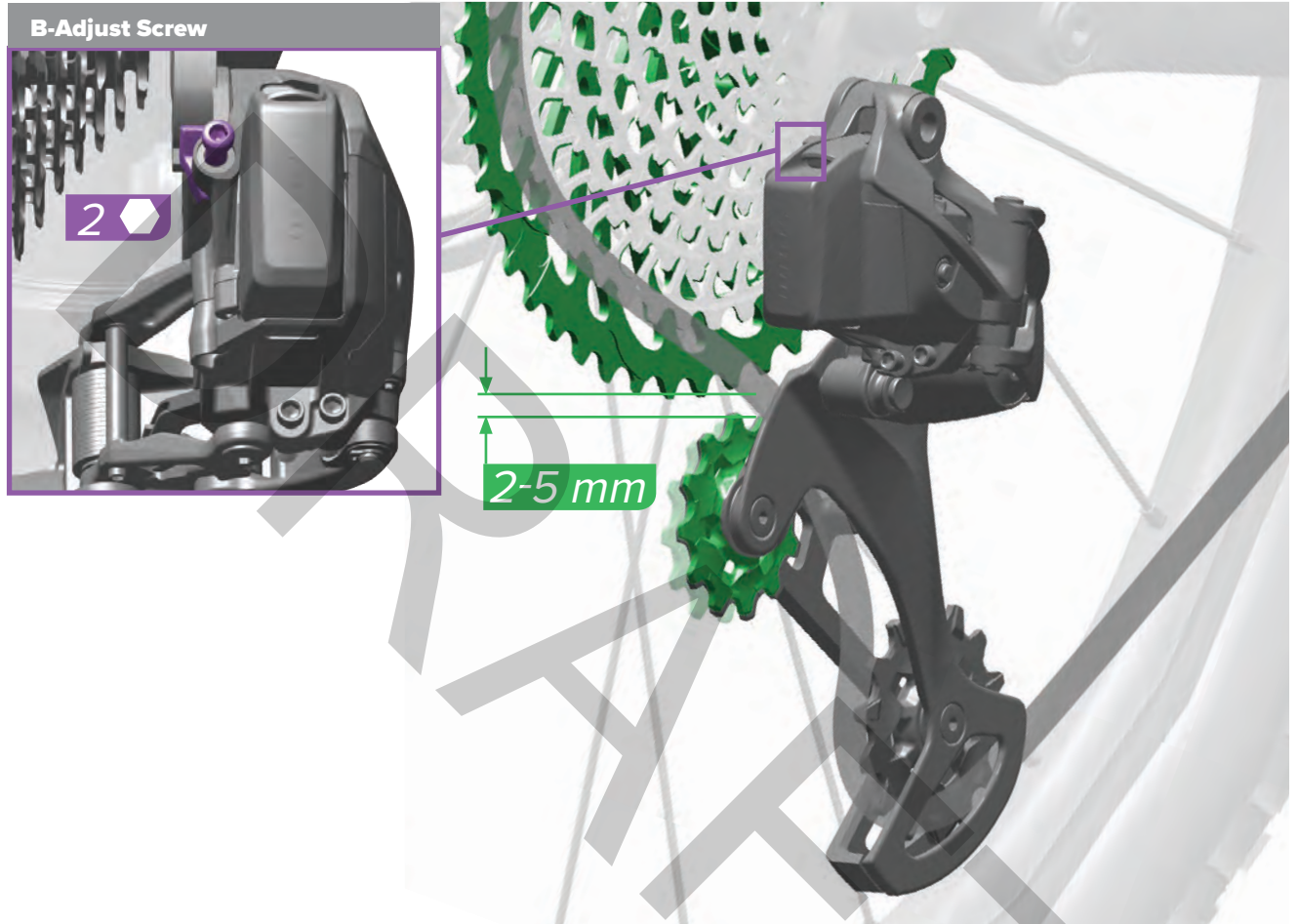
Turn the B-Adjust screw to align the tallest teeth of the largest cassette cog with the groove outline on the gauge that matches your cassette size.

Chain Gap Adjustment without Gauge

- A Einstellung des Kettenabstands ohne Werkzeug
- B Ajuste de la separación de la cadena sin utilizar un calibrador

- C Réglage du passage de la chaîne sans outil de mesure
- D Regolazione del chain gap senza indicatore
- E Kettingspeling afstellen zonder meter

- F Ajustagem de folga da corrente sem a ferramenta
- G ゲージを使用しないチェーン・ギヤップの調節
- H 无测量仪辅助下调节链隙



Turn the B-Adjust screw until the appropriate gap between the upper pulley and the largest cassette cog is attained.

Turn the B-Adjust screw until the appropriate gap between the upper pulley and the largest cassette cog is attained.

Turn the B-Adjust screw until the appropriate gap between the upper pulley and the largest cassette cog is attained.

Turn the B-Adjust screw until the appropriate gap between the upper pulley and the largest cassette cog is attained.

Turn the B-Adjust screw until the appropriate gap between the upper pulley and the largest cassette cog is attained.

Turn the B-Adjust screw until the appropriate gap between the upper pulley and the largest cassette cog is attained.

Turn the B-Adjust screw until the appropriate gap between the upper pulley and the largest cassette cog is attained.

Turn the B-Adjust screw until the appropriate gap between the upper pulley and the largest cassette cog is attained.

Turn the B-Adjust screw until the appropriate gap between the upper pulley and the largest cassette cog is attained.

Fine Tuning

A Feineinstellung

B Ajuste fino

C Réglage précis

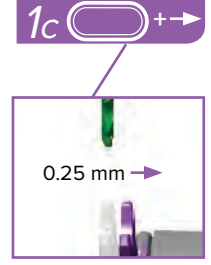
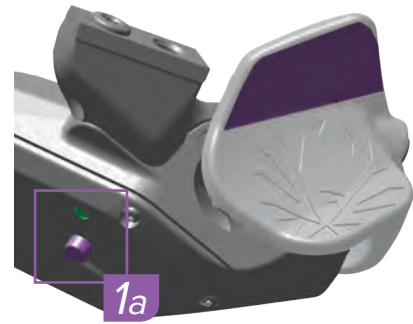
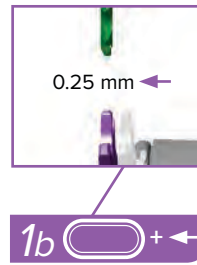
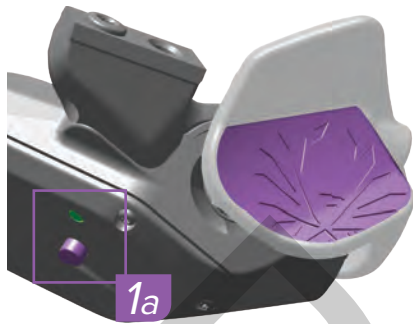
D Taratura

E Fijnafstelling

F Regulação fina

G ファイン・チューニング

H 精细调整



Similar to a barrel adjuster on mechanical systems, unwanted rasping sounds can be eliminated by fine-tuning the rear derailleur shifting with micro-adjustments.

Press and hold the controller AXS™ button (1a) while pressing downward on the derailleur inboard to eliminate rasping sounds from a smaller cog to a larger cog.

Press and hold the controller AXS button (1a) while pressing upward on the controller paddle (1c) to adjust the derailleur outboard to eliminate rasping sounds from a larger cog to a smaller cog.

The rear derailleur may not appear to move. Watch for the LED to blink to confirm the derailleur executed the command.

Ähnlich wie mit einem Zugspannungseinsteller bei mechanischen Systemen können unerwünschte Schleifgeräusche beseitigt werden, indem die Bewegung des Schaltwerks mit Mikro-Anpassungen abgestimmt wird.

Halten Sie die Funktionstaste am Schaltwerk gedrückt (1a), während Sie den Schalthebel nach innen drücken (1b). Der linke Schalthebel justiert das Schaltwerk auf der Innenseite, der rechte Schalthebel auf der Außen-seite.

Das Schaltwerk führt möglicherweise keine sichtbare Bewegung aus. Achten Sie darauf, ob die LED blinkt, um zu bestätigen, dass das Schaltwerk den Befehl ausgeführt hat.

Al igual que en los sistemas mecánicos o de ajuste por tambor, es posible eliminar los chirridos indeseados realizando un reglaje del cambio trasero con microajustes.

Mantenga presionado el botón de función del cambio (1a) a la vez que presiona hacia dentro la palanca de cambio (1b). La palanca de cambio izquierda desplaza el desviador hacia dentro y la derecha hacia fuera.

Puede que el desviador trasero aparentemente no se mueva. Espere hasta que parpadee el LED, lo que confirmará que el desviador ha ejecutado la orden enviada.

Comme avec les molettes de réglage des systèmes mécaniques, vous pouvez éliminer les craquements des changements de vitesses en ajustant plus précisément le passage des vitesses du dérailleur arrière grâce à des micro-réglages.

Maintenez appuyé le bouton de commande situé sur le levier de dérailleur (1a) tout en poussant le levier de dérailleur vers l'intérieur (1b). Le levier de dérailleur de gauche va régler le dérailleur vers l'intérieur et le levier de dérailleur de droite va régler le dérailleur vers l'extérieur.

Il se peut que le dérailleur arrière ne donne pas l'impression de bouger. Lorsque la DEL se met à clignoter, cela signifie que le dérailleur a exécuté la commande.

Come il barilotto di regolazione sui sistemi meccanici, la fastidiosa raspatura può essere eliminata mediante la taratura del cambio del deragliatore posteriore con micro regolazioni.

Premere e tenere premuto il pulsante funzione del cambio (1a) mentre si preme la paletta cambio verso l'interno (1b). Il cambio sinistro regola il deragliatore verso l'interno e il cambio destro regola il deragliatore verso l'esterno.

Potrebbe sembrare che il deragliatore posteriore non si muova. Osservare il lampeggiamento del LED per confermare che il deragliatore abbia eseguito il comando.

Net zoals bij een cilinderafsteller op mechanische systemen kunnen ongewenste schuurgeluiden worden geëlimineerd door het schakelen van de achterderrailleur met behulp van micro-aanpassingen fijn af te stellen.

Druk en houd de functiekноп van de shifter vast (1a) terwijl u de schakelhendel naar binnen duwt (1b). De linker shifter brengt de derailleur naar binnen en de rechter shifter brengt de derailleur naar buiten.

De achterderrailleur mag niet bewegen. Controleer of de LED knippert als bevestiging dat de derailleur het commando heeft uitgevoerd.

De forma semelhante a um ajustador de tambor em sistemas mecânicos, sons de raspagem indesejáveis podem ser eliminados pela afinação fina do comando de mudanças do câmbio (desviador/derailleur) traseiro com micro-ajustes.

Prima e segure o botão de função do comando das mudanças (1a) enquanto carrega no manípulo achatado das mudanças para "dentro" (1b). O manípulo das mudanças esquerdo irá ajustar o desviador/derailleur para "dentro", e o manípulo das mudanças da direita irá ajustar o derailleur para "fora".

O desviador/derailleur traseiro poderá parecer que não se move. Observe que o LED pisque para confirmar que o desviador/derailleur executou o comando.

メカニカル・システムのバレル調節器と同様、リア・ディレイラーのシフティングにマイクロ調節を行うファイン・チューニングによって、不要なきし音を取り除くことができます。

シフターの機能ボタンを押して保持し (1a)、同時にシフト・パドルを内側に抑えます (1b)。左のシフターはディレイラーをインボードに調節し、右のシフターはディレイラーをアウトボードに調節します。

リア・ディレイラーは、動きを見せない場合があります。LED が点滅するのを見て、ディレイラーに調節が行われたことを確認します。

类似于机械系统中的圆筒调节器, 可通过对后变速器上的微调装置进行微调来消除不协调的刺耳声。

按住指拨功能按钮 (1a), 同时向内按压变速拨片 (1b)。左边的拨片将向内调节变速器, 右边的拨片则向外调节变速器。

后变速器可能不会移动。等待 LED 闪烁, 确认变速器执行了命令。

Eagle® AXS™ Controller Installation

A AXS Controller Installation

B Controller Installation

C Installation du levier de dérailleur

D Installazione del comando del cambio

E De shifter installeren

F Instalação do Manípulo de Comando das Mudanças

G シフターの取り付け

H 指拨安装

Controller Discrete Clamp

A Controller Discrete Clamp

B Controller Discrete Clamp

C Controller Discrete Clamp

D Controller Discrete Clamp

E Controller Discrete Clamp

F Controller Discrete Clamp

G Controller Discrete Clamp

H Controller Discrete Clamp



Friction Paste
Montagepaste
Pasta de fricción
Pâte de montage
Pasta ad attrito
Frictiepasta
Pasta de fricção
フリクション・ペースト
摩擦膏

Install
Einbauen
Instalar
Installare
Installare
Monteren
Instalar
取り付け
安装

Torque
Drehmoment
Par de apriete
Serrage
Coppia
Aandraaimoment
Momento de torção
締め付け
扭矩

Adjust
Einstellen
Ajustar
Régler
Regolare
Afstellen
Ajustar
調節
調整

MMX™ Clamp

▲ MMX Clamp

■ MMX Clamp

○ MMX Clamp

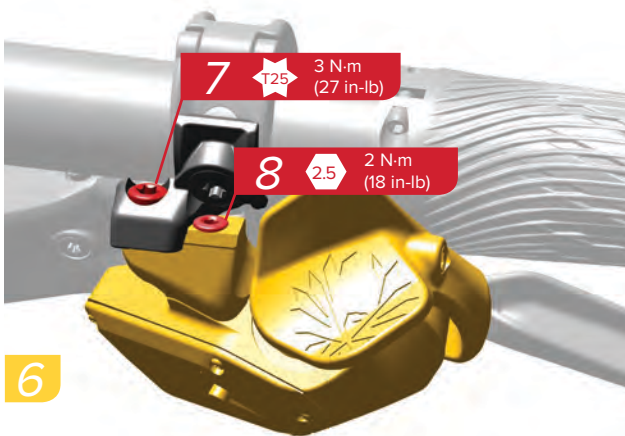
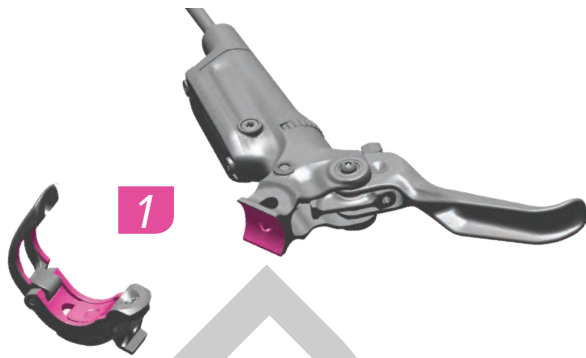
□ MMX Clamp

■ MMX Clamp

◌ MMX Clamp

◌ MMX Clamp

◌ MMX Clamp



Friction Paste
Montagepaste
Pasta de fricción
Pâte de montage
Pasta ad attrito
Frictiepasta
Pasta de fricção
フリクション・ベースト
摩擦膏



Install
Einbauen
Instalar



Torque
Drehmoment
Par de apriete



Serrage
Coppia
Aandraaimoment
Momento de torção
締め付け
扭緊



Adjust
Einstellen
Ajustar
Régler
Regolare
Afstellen
Ajustar
調節
調整

Battery Overview

- A Übersicht über die Batterie
- B Descripción de la batería

- C Présentation des batteries
- D Panoramica della batteria
- E Overzicht van de accu

- F Vista Geral da Bateria
- G 電池の概要
- H 電池簡介

Battery Charge LED Indicator

- A Batteriezustandsanzeige-LED
- B LED indicador de carga de la pila

- C DEL indiquant le niveau de charge de la batterie
- D LED indicatore di carica della batteria
- E LED-controlelampje voor batterijniveau

- F LED indicador de carga da bateria
- G 電池充電 LED インジケーター
- H 電池充電指示 LED

The LED **illuminates** when a shift is performed. The color of the LED indicates the ride time remaining. Consult the **SRAM® Battery and Charger user manual** for charging instructions.

La DEL s'allume à chaque fois que vous passez une vitesse. La couleur de la DEL indique la durée d'autonomie restante. Pour obtenir des informations sur la recharge des batteries, consultez le manuel SRAM sur les batteries et chargeurs.

O LED acende quando se mete uma mudança. A cor do LED indica o tempo de ciclismo que lhe resta. Consulte o manual da Bateria e do Carregador da SRAM para obter instruções de carga.

Die LED leuchtet auf, wenn ein Schaltvorgang durchgeführt wird. Die Farbe der LED gibt die verbleibende Fahrzeit an. Hinweise zum Laden der Batterie finden Sie in der SRAM Bedienungsanleitung für das Ladegerät und die Batterie.

Il LED si illumina durante un cambio. Il colore del LED indica il tempo di guida rimanente. Consultare il manuale della batteria e del caricabatteria SRAM per istruzioni per la ricarica.

シフトを行うとLEDが点灯します。LEDの色は、残りの乗車可能時間を示しています。充電に関する説明は、SRAMの電池および充電器マニュアルを参照してください。

El LED se enciende cada vez que se realiza un cambio de marcha. El color del LED indica el tiempo de marcha restante. Consulte las instrucciones de carga en el manual del Cargador y la Batería SRAM.

De LED brandt wanneer wordt geschakeld. De kleur van de LED geeft de resterende fietstijd aan. Raadpleeg de handleiding van de SRAM accu en lader voor de juiste laad instructies.

变速时, LED 会亮起。LED 的颜色表示剩余的骑行时间。参阅 SRAM 电池和充电器手册了解充电说明。



●	6-24 months 15-60 Stunden 15-60 horas	15 à 60 heures 15-60 ore 15-60 uur	15-60 horas 15-60 時間 15-60 小时
●	1-6 months 6-15 Stunden 6-15 horas	6 à 15 heures 6-15 ore 6-15 uur	6-15 horas 6-15 時間 6-15 小时
☀	<1 month <6 Stunden <6 horas	<6 heures <6 ore <6 uur	<6 horas <6 時間 <6 小时



●	5-20 hours 5-20 Stunden 5-20 horas	5 à 20 heures 5-20 ore 5-20 uur	5-20 horas 5-20 時間 5-20 小时
●	1.5-5 hours 1,5-5 Stunden 1,5-5 horas	1,5 à 5 heures 1,5-5 ore 1,5-5 uur	1,5-5 horas 1,5-5 時間 1,5-5 小时
☀	< 1,5 hours < 1,5 Stunden < 1,5 horas	< 1,5 heures < 1,5 ore < 1,5 uur	< 1,5 horas < 1,5 時間 < 1,5 小时

Controller Battery Replacement

A Controller Battery Replacement

B Controller Battery Replacement

C Controller Battery Replacement

D Controller Battery Replacement

E Controller Battery Replacement

F Controller Battery Replacement

G Controller Battery Replacement

H Controller Battery Replacement

⚠WARNING

Consult the battery manufacturer for safe handling instructions.

Keep the battery out of reach of children.

Do not put the battery in your mouth.

If ingested, seek medical attention immediately.

Do not use sharp objects to remove batteries.

⚠AVERTISSEMENT

Pour une utilisation en toute sécurité, consultez les instructions du fabricant de la pile.

Maintenez la pile hors de la portée des enfants. Ne mettez pas la pile dans votre bouche. En cas d'ingestion, consultez immédiatement un médecin.

N'utilisez pas d'objet pointu pour retirer les piles.

⚠AVISO

Consulte o fabricante da pilha para obter instruções de manejo seguro.

Mantenha a pilha fora do alcance das crianças. Não meta a pilha na sua boca.

Se a ingerir, busque imediatamente cuidados médicos.

Não use quaisquer objectos aguçados para retirar as pilhas.

⚠WARNING

Wenden Sie sich bezüglich Informationen zur sicheren Handhabung von Batterien an den Batteriehersteller.

Bewahren Sie die Batterie außerhalb der Reichweite von Kindern auf. Nehmen Sie die Batterie nicht in den Mund. Falls Sie die Batterie verschlucken, suchen Sie sofort einen Arzt auf.

Verwenden Sie keine spitzen Gegenstände, um die Batterien herauszuhebeln.

⚠AVVERTENZA

Consultare il produttore della batteria per istruzioni per una manipolazione sicura.

Tenere la batteria al di fuori della portata dei bambini. Non mettere in bocca la batteria. In caso di ingestione consultare immediatamente un medico.

Non utilizzare alcun oggetto appuntito per rimuovere le batterie.

⚠警告

安全な取り扱い方法について、電池メーカーにお問い合わせください。

電池は子供の手の届かない場所に保管してください。電池は口の中に入れてください。

電池を飲み込んだ場合は、直ちに医師の指導を仰いでください。

電池を取り外す際は、尖った物を使用しないでください。

⚠ATENCIÓN

Consulte las instrucciones de seguridad en el manejo de la batería indicadas por su fabricante.

Mantenga la batería fuera del alcance de los niños. No se introduzca la batería en la boca. En caso de ingestión, consiga atención médica de inmediato.

No utilice objetos punzantes para sacar la pila.

⚠WAARSCHUWING

Neem contact op met de fabrikant van de batterij hoe deze op een veilige manier te gebruiken.

Houd de batterij uit de buurt van kinderen. Steek de batterij niet in uw mond. Indien ingeslikt, raadpleeg onmiddellijk een arts.

Gebruik geen scherpe voorwerpen om de batterij te verwijderen.

⚠警告

参阅电池厂商说明书了解安全操作说明。

将电池放在儿童拿不到的地方。请勿将电池放入口中。如不慎吞咽，请立即就医。

请勿使用尖锐物体卸除电池。



1

Use a coin to remove the battery cover.

Remove the battery.

NOTICE

To prevent moisture damage do not remove the battery cover o-ring seal.

Use a coin to remove the battery cover.

Remove the battery.

NOTICE

To prevent moisture damage do not remove the battery cover o-ring seal.

Use a coin to remove the battery cover.

Remove the battery.

NOTICE

To prevent moisture damage do not remove the battery cover o-ring seal.

Use a coin to remove the battery cover.

Remove the battery.

NOTICE

To prevent moisture damage do not remove the battery cover o-ring seal.

Use a coin to remove the battery cover.

Remove the battery.

NOTICE

To prevent moisture damage do not remove the battery cover o-ring seal.

Use a coin to remove the battery cover.

Remove the battery.

NOTICE

To prevent moisture damage do not remove the battery cover o-ring seal.

Use a coin to remove the battery cover.

Remove the battery.

NOTICE

To prevent moisture damage do not remove the battery cover o-ring seal.

Use a coin to remove the battery cover.

Remove the battery.

NOTICE

To prevent moisture damage do not remove the battery cover o-ring seal.

Use a coin to remove the battery cover.

Remove the battery.

NOTICE

To prevent moisture damage do not remove the battery cover o-ring seal.



2

Insert a new CR2032 coin cell battery into the controller, negative terminal side first.

Reinstall the battery cover. Use a coin to turn the cover clockwise to align the dots and lock it into place.

Insert a new CR2032 coin cell battery into the controller, negative terminal side first.

Reinstall the battery cover. Use a coin to turn the cover clockwise to align the dots and lock it into place.

Insert a new CR2032 coin cell battery into the controller, negative terminal side first.

Reinstall the battery cover. Use a coin to turn the cover clockwise to align the dots and lock it into place.

Insert a new CR2032 coin cell battery into the controller, negative terminal side first.

Reinstall the battery cover. Use a coin to turn the cover clockwise to align the dots and lock it into place.

Insert a new CR2032 coin cell battery into the controller, negative terminal side first.

Reinstall the battery cover. Use a coin to turn the cover clockwise to align the dots and lock it into place.

Insert a new CR2032 coin cell battery into the controller, negative terminal side first.

Reinstall the battery cover. Use a coin to turn the cover clockwise to align the dots and lock it into place.

Insert a new CR2032 coin cell battery into the controller, negative terminal side first.

Reinstall the battery cover. Use a coin to turn the cover clockwise to align the dots and lock it into place.

Insert a new CR2032 coin cell battery into the controller, negative terminal side first.

Reinstall the battery cover. Use a coin to turn the cover clockwise to align the dots and lock it into place.

Insert a new CR2032 coin cell battery into the controller, negative terminal side first.

Reinstall the battery cover. Use a coin to turn the cover clockwise to align the dots and lock it into place.



3



4

Maintenance

A Wartung

B Mantenimiento

We recommend that you periodically clean your **electrical** components. Use a damp cloth to wipe off any dirt and debris. Clean the components with soap and water only. Rinse thoroughly with water and allow the parts to dry, then lubricate the chain.

NOTICE

Remove the SRAM® derailleur batteries and install the derailleur battery blocks before cleaning.

Do not clean the components with a power washer. Do not use acidic or grease-dissolving agents on your **electrical** components. Do not soak or store your **electrical** components in any cleaning product or liquid. Chemical cleaners and solvents can damage plastic components.

Wir empfehlen, die **electrical**-Komponenten regelmäßig zu reinigen. Wischen Sie mit einem feuchten Tuch Schmutz und Ablagerungen ab. Reinigen Sie die Komponenten nur mit Seife und Wasser. Spülen Sie die Teile sorgfältig mit Wasser ab und lassen Sie sie trocknen, bevor Sie die Kette schmieren.

HINWEIS

Entfernen Sie vor der Reinigung die Batterien des SRAM-Schaltwerks/Umwerfers und setzen Sie Batterietrenner in das Schaltwerk/den Umwerfer ein.

Reinigen Sie die Komponenten nicht mit einem Hochdruckreiniger. Verwenden Sie an **electrical**-Komponenten keine säurehaltigen oder fettlösenden Mittel. Die **electrical**-Komponenten dürfen nicht in Reinigungsmitteln oder Flüssigkeiten eingetaucht oder darin gelagert werden. Chemische Reinigungsmittel und Lösungsmittel können

Le recomendamos que limpie periódicamente sus componentes **electrical**. Utilice un paño húmedo para limpiar cualquier suciedad o residuo. Para limpiar los componentes utilice sólo agua y jabón. Rocíe generosamente todas las piezas con agua, déjelas secar, y una vez secas, engrase la cadena.

AVISO

Antes de limpiarlos, saque las baterías del desviador SRAM y coloque los bloques de batería del desviador.

No utilice máquinas de limpieza a presión para limpiar los componentes. No utilice agentes disolventes de grasa o ácidos sobre sus componentes **electrical**. No guarde o sumerja sus componentes **electrical** en ningún líquido o producto de limpieza. Los limpiadores y disolventes químicos pueden dañar los componentes de plástico.

C Entretien

D Manutenzione

E Onderhoud

Nous vous recommandons de nettoyer régulièrement vos composants **electrical**. À l'aide d'un chiffon humide, essuyez toute trace de saleté ou de poussière. Nettoyez les composants à l'eau savonneuse uniquement. Rincez à grande eau et laissez sécher les pièces ; puis lubrifiez la chaîne.

AVIS

Retirez les batteries des dérailleurs SRAM puis installez les blocs de batterie des dérailleurs avant tout nettoyage.

Ne nettoyez jamais les composants avec un jet à haute pression. N'utilisez jamais de produits acides ou de produits dissolvant la graisse pour nettoyer vos composants **electrical**. Ne faites trempez et n'entreposez jamais vos composants **electrical** dans un produit ou liquide nettoyant. Les produits chimiques et les solvants peuvent endommager les composants en plastique.

Si consiglia di pulire periodicamente i componenti **electrical**. Utilizzare un panno umido per rimuovere la sporcizia e i detriti. Lavare i componenti esclusivamente con acqua e sapone. Sciacquare a fondo con acqua e lasciare asciugare le parti, quindi lubrificare la catena.

AVVISO

Rimuovere le batterie SRAM e del deragliatore e installare i blocchi batteria del deragliatore prima di effettuare la pulizia.

Non pulire i componenti con un'idropulitrice. Non utilizzare agenti acidi o in grado di sciogliere il grasso sui componenti **electrical**. Non immergere né conservare i componenti **electrical** in alcun prodotto detergente o liquido. L'uso di detergenti chimici e solventi può danneggiare i componenti in plastica.

We raden u aan om uw **electrical** componenten regelmatig te reinigen. Veeg eventueel vuil weg met een vochtige doek. Reinig de componenten alleen met water en zeep. Spoel grondig met water af, laat de onderdelen drogen en smeer vervolgens de ketting.

MEDEDELING

Verwijder de BlipBox en derailleuraccu's en installeer de derailleuraccukappen voor reiniging.

Reinig de componenten niet met een hogedrukreiniger. Gebruik geen vetoplossende of zuurreinigers op uw **electrical** componenten. Wees of bewaar uw **electrical** componenten niet in een reinigingsmiddel. Chemische reinigingsmiddelen en oplosmiddelen kunnen de kunststof componenten beschadigen.

F Manutenção

G メンテナンス

H 保养

Recomendamos que periodicamente limpe os componentes do seu **electrical**. Use um pano húmido para limpar qualquer sujidade ou detritos. Limpe os componentes apenas com sabão e água. Enxagúe completamente com água e deixe que as peças sequem, e depois lubrifique a corrente.

NOTIFICAÇÃO

Retire as baterias SRAM do câmbio (desviador/derailleur) e instale os blocos das baterias do derailleur antes de limpar.

Não limpe os componentes com uma máquina de lavagem por jacto sob pressão. Não use nos seus componentes **electrical** produtos ácidos nem os que dissolvam a massa lubrificante. Não deixe embeber nem guarde os seus componentes **electrical** dentro de nenhum produto de limpeza ou líquido. Os produtos de limpeza químicos e os solventes podem danificar os componentes de plástico.

electrical コンポーネントは定期的に清掃することを推奨しています。湿った布を使用して、汚れやゴミを拭き取ってください。コンポーネントの清掃には、石鹸と水のみを使用してください。水でよくすすぎ、パーツを乾かします。その後、チェーンに注油します。

注意事項

清掃前には、SRAM デレイラーの電池を取り外し、デレイラー電池ブロックを取り付けてください。

コンポーネントを高圧洗浄機で清掃しないでください。**electrical** コンポーネントには、酸性剤またはグリソ溶解剤を使用しないでください。**electrical** コンポーネントを、洗浄剤や洗浄液の中に浸したり、保存したりしないでください。化学洗剤や溶剤はプラスチック・コンポーネントを損傷する可能性があります。

我们建议您定期清洁您的 **electrical** 组件。用湿抹布擦净污垢和碎屑。请仅使用肥皂和水清洗组件。用水彻底冲洗，等待部件晾干，然后润滑链条。

注意

清洁前请卸下 SRAM 变速器电池，并安装变速器电池堵块。

请勿使用动力清洗器清洗组件。请勿在 **electrical** 组件上使用酸性或油脂溶剂。请勿将您的 **electrical** 组件浸泡或储存在任何清洁产品或液体中。化学清洁剂和溶剂可能损坏塑料组件。

NOTICE

Check the battery level of each component before and after each use.

Avoid using or storing your components in excessive heat or cold.

Remove the **SRAM batteries from the derailleur** and install the derailleur battery blocks when the bicycle is being transported or not in use for long periods of time. Failure to remove the battery could result in **unintentional actuation and/or** battery depletion.

Install the battery cover on the battery when the battery is not in use. Failure to cover the battery terminals could result in damage to the battery.

HINWEIS

Überprüfen Sie vor und nach jedem Gebrauch den Batterieladestand jeder **eTap**-Komponente.

Vermeiden Sie es, Ihre **eTap**-Komponenten bei übermäßiger Hitze oder Kälte zu verwenden oder zu lagern.

Entfernen Sie die Batterien und bringen Sie die Batterietrenner und die Batterieabdeckungen für das Schaltwerk und den Umwerfer an, wenn Sie das Fahrrad transportieren oder längere Zeit nicht verwenden. Wenn Sie die Batterien nicht entfernen, können sie sich entladen.

Bringen Sie die Batterieabdeckung an, wenn die Batterie nicht verwendet wird. Wenn die Batteriekontakte nicht abgedeckt werden, kann die Batterie beschädigt werden.

AVISO

Antes y después de cada uso, compruebe el nivel de batería de cada componente **eTap**.

Procure no utilizar ni guardar sus componentes **eTap** en lugares excesivamente cálidos o fríos.

Siempre que vaya a transportar la bicicleta o vaya a estar sin utilizarla durante bastante tiempo, saque las baterías del desviador e instale los bloques de batería. Si no saca la batería, podría descargarse completamente.

Cuando la batería no se esté utilizando, póngale la tapa. Si deja los terminales de la batería sin tapar, podría dañarse la batería.

AVIS

Vérifiez le niveau de charge de la batterie de vos composants **eTap** avant et après chaque utilisation.

Évitez d'exposer ou d'entreposer vos composants **eTap** à des températures excessives.

Retirez les batteries des dérailleurs puis installez les blocs de batterie des dérailleurs lorsque vous transportez votre vélo ou pendant les longues périodes d'inutilisation. Le fait de ne pas retirer les batteries pourrait les décharger complètement.

Installez le couvercle sur la batterie lorsque celle-ci n'est pas utilisée. Le fait de ne pas couvrir les bornes de la batterie peut endommager la batterie.

AVVISO

Controllare il livello di carica della batteria di ciascun componente **eTap** prima e dopo ogni uso.

Evitare di utilizzare o conservare i componenti **eTap** in un ambiente eccessivamente caldo o freddo.

Rimuovere le batterie del deragliatore e installare i blocchi batteria del deragliatore quando la bicicletta viene trasportata o non è in uso per lunghi periodi di tempo. La mancata rimozione della batteria potrebbe causare il deterioramento della batteria.

Installare il coperchio della batteria sulla batteria quando la batteria non è in uso. La mancata copertura dei morsetti della batteria potrebbe causare danni alla batteria.

MEDEDELING

Controleer het accu-/batterijniveau van elk **eTap** component voor en na elk gebruik.

Gebruik of berg uw **eTap** componenten niet op in een omgeving met een overmatige warmte of koude.

Verwijder de derailleuraccu's en installeer de derailleuraccublokken wanneer de fiets wordt getransporteerd of gedurende een lange periode niet gebruikt zal worden. Het niet verwijderen van de accu kan de accu onnodig ontladen.

Breng het accudeksel op de accu aan wanneer de accu niet wordt gebruikt. Het niet afdekken van de accuaansluitingen kan schade aan de accu veroorzaken.

NOTIFICAÇÃO

Verifique o nível da bateria para cada componente **eTap** antes e depois de cada uso.

Evite usar ou armazenar os seus componentes **eTap** em calor ou frio excessivo.

Retire as baterias do desviador/derailleur e instale os blocos das baterias do derailleur quando a bicicleta esteja a ser transportada ou não esteja em uso por períodos de tempo longos. Não retirar a bateria pode resultar no esgotamento da bateria.

Instale a tampa da bateria na bateria, quando a bateria não estiver a ser usada. Não cobrir os terminais da bateria poderá resultar em danos à bateria.

注意事項

各 **eTap** コンポーネントの電池の充電レベルを、使用前と使用後に毎回確認してください。

過度に高温または低温の環境における **eTap** コンポーネントの使用または保管は避けてください。

自転車を運搬するときや長期間使用しないときは、ディレイラーの電池を取り外し、ディレイラー電池ブロックを取り付けてください。電池を取り外さないと、電池が消耗してしまう可能性があります。

電池を使用していないときは、電池カバーを取り付けてください。電池の端子面にカバーを取り付けないと、電池を損傷する可能性があります。

注意

每次使用前请检查每个 **eTap** 组件的电池电量。

避免在过热或过冷的环境中使用或储存 **eTap** 组件。

在自行车运输过程中或长时间未使用的情况下，请卸下变速器电池并安装变速器电池堵块。未能卸下电池可能导致电池损耗。

电池不使用时，请确保安装电池防护罩。未能覆盖电池接线端可能导致损坏电池。

Replace your chain before 0.8% elongation to limit wear and maintain performance to the cassette and chain ring.

Replace your chain before 0.8% elongation to limit wear and maintain performance to the cassette and chain ring.

Replace your chain before 0.8% elongation to limit wear and maintain performance to the cassette and chain ring.

Replace your chain before 0.8% elongation to limit wear and maintain performance to the cassette and chain ring.

Replace your chain before 0.8% elongation to limit wear and maintain performance to the cassette and chain ring.

Replace your chain before 0.8% elongation to limit wear and maintain performance to the cassette and chain ring.

Replace your chain before 0.8% elongation to limit wear and maintain performance to the cassette and chain ring.

Replace your chain before 0.8% elongation to limit wear and maintain performance to the cassette and chain ring.

Replace your chain before 0.8% elongation to limit wear and maintain performance to the cassette and chain ring.

DRAPER

Recycling

A Recycling

B Reciclaje

C Recyclage


D Riciclaggio

E Recycling

F Reciclagem

G リサイクルリング

H 骑行

 For recycling and environmental compliance, please visit www.sram.com/company/environment.

Replace the derailleur battery with an authentic SRAM replacement battery only. Replace the **AXS Controller** battery with a CR2032 coin cell battery only.

Consult the SRAM® *Battery and Charger* manual for battery maintenance and specifications.

⚠WARNING

Never dispose of batteries in a fire.


 Hinweise zum Recycling und Umweltschutz finden Sie auf www.sram.com/company/environment.

Ersetzen Sie die Schaltwerk-/Umwerfer-Batterie nur durch eine Original-SRAM-Ersatzbatterie. Ersetzen Sie die Schalthebel-Batterie nur durch eine CR2032-Knopfzelle.

Hinweise zur Wartung und die technischen Daten der Batterie finden Sie in der SRAM Bedienungsanleitung für die Batterie und das Ladegerät.

⚠WARNING

Batterien dürfen keinesfalls verbrannt werden.


 Puede encontrar información sobre reciclaje y cumplimiento de la normativa medioambiental en la página www.sram.com/company/environment.

Si necesita cambiar la batería del desviador, utilice siempre baterías de recambio originales de SRAM. Para el elemento de cambio de marchas, utilice exclusivamente baterías de botón de tipo CR2032.

En el manual de la batería y el cargador de SRAM se detallan las especificaciones de la batería y sus requisitos de mantenimiento.

⚠ATENCIÓN

No tire nunca una batería al fuego.


 Pour obtenir des informations sur le recyclage et le respect de l'environnement, veuillez consulter le site www.sram.com/company/environment.

Remplacez la batterie du dérailleur par une batterie de remplacement SRAM authentique uniquement. Remplacez la pile du levier de dérailleur par une pile bouton CR2032 uniquement.

Pour obtenir des informations sur l'entretien et les caractéristiques des batteries, consultez le manuel SRAM sur les batteries et chargeurs.

⚠AVERTISSEMENT

Ne jetez jamais les piles dans les flammes.

 Per il riciclaggio e la conformità ai requisiti ambientali, visitare il sito www.sram.com/company/environment.

Sostituire la batteria del deragliatore solo con una batteria di ricambio originale SRAM. Sostituire la batteria del cambio esclusivamente con una batteria a bottone CR2032.

Consultare il manuale della batteria e del caricabatteria SRAM per istruzioni sulla manutenzione della batteria e le specifiche.

⚠AVVERTENZA

Non gettare le batterie nel fuoco.


 Voor meer informatie over recycling en bescherming van het milieu, ga naar www.sram.com/company/environment.

Vervang de derailleuraccu alleen door een originele SRAM-accu. Vervang de batterij in de shifter alleen door een CR2032 knoopcelbatterij.

Raadpleeg de handleiding van de SRAM accu en lader voor de juiste onderhoudsinstructies en specificaties.

⚠WAARSCHUWING

Gooi batterijen nooit in vuur.


 Para reciclagem e conformidade ambiental, visite www.sram.com/company/environment.

Substitua a bateria do desviador/dérailleur apenas com baterias sobressalentes autênticas SRAM. Substitua a pilha apenas com uma pilha tipo moeda CR2032.

Consulte o manual da Bateria e do Carregador da SRAM para obter instruções de manutenção e especificações.

⚠AVISO

Nunca descarte baterias/pilhas atirando-as para um fogo.

 リサイクルリングと環境に関する順守事項については、www.sram.com/company/environment を参照してください。

ディレイラーの交換用電池は、SRAM 純正交換用電池のみです。シフターの交換用電池は、CR2032 コイン型電池のみです。

電池のメンテナンスおよび仕様については、SRAM の電池および充電器マニュアルを参照してください。

⚠警告

電池は火中に投じないでください。

 有关回收利用和环保合规信息，请访问 www.sram.com/company/environment。

请仅使用 SRAM 正版替换电池更换变速器电池；仅用 CR2032 硬币电池更换指拨电池。

参阅 SRAM 电池和充电器手册了解电池维护说明和规格。

⚠警告

请勿将电池丢入火中。

SRAM[®]
www.sram.com



ASIAN HEADQUARTERS
SRAM Taiwan
No. 1598-8 Chung Shan Road
Shen Kang Hsiang, Taichung City
Taiwan R.O.C.

WORLD HEADQUARTERS
SRAM LLC
1000 W. Fulton Market, 4th Floor
Chicago, Illinois 60607
USA

EUROPEAN HEADQUARTERS
SRAM Europe
Paasbosweg 14-16
3862ZS Nijkerk
The Netherlands