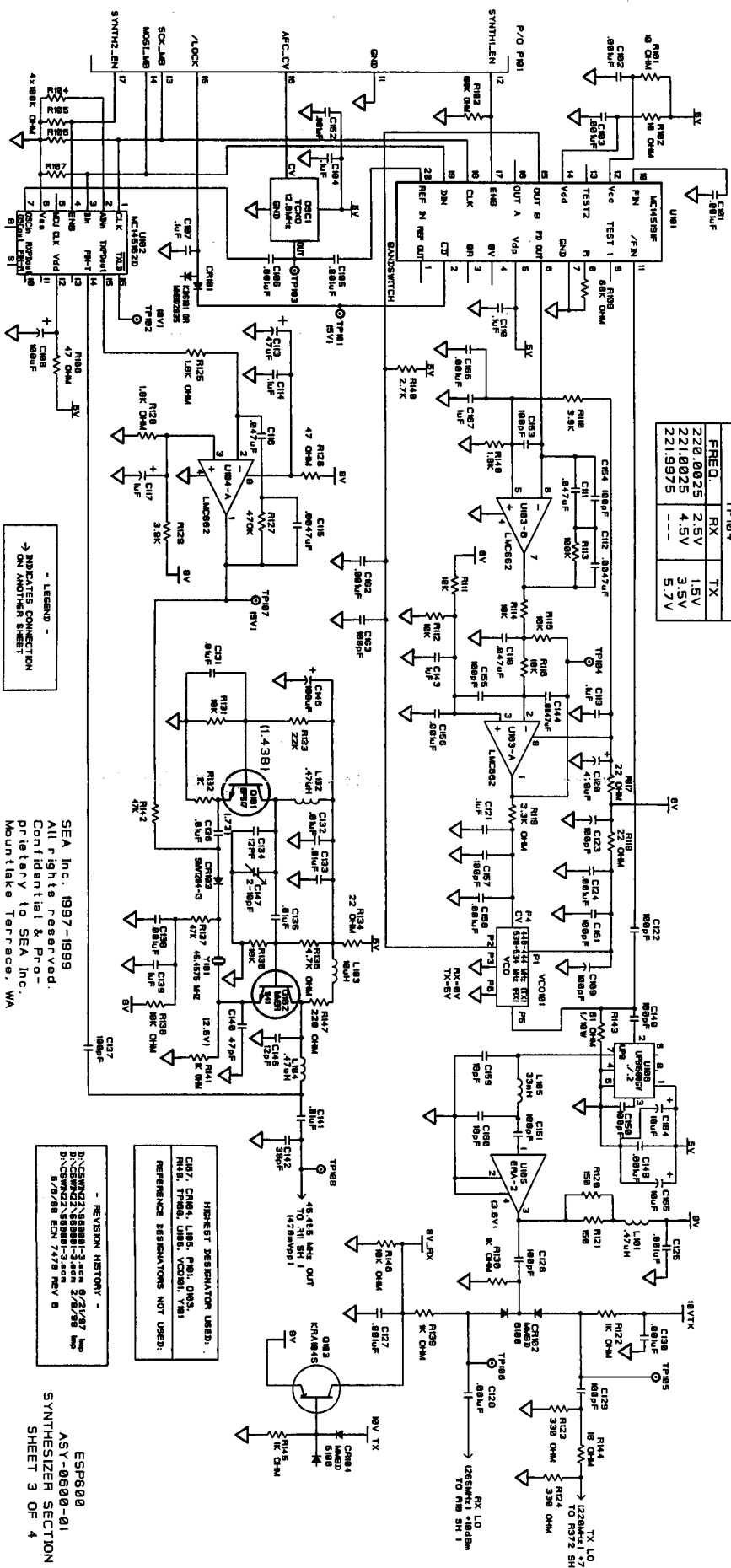


TP104			
FREQ.	RX	TX	
220.0025	2.5V	1.5V	
221.0025	4.5V	3.5V	
221.9975	---	5.7V	



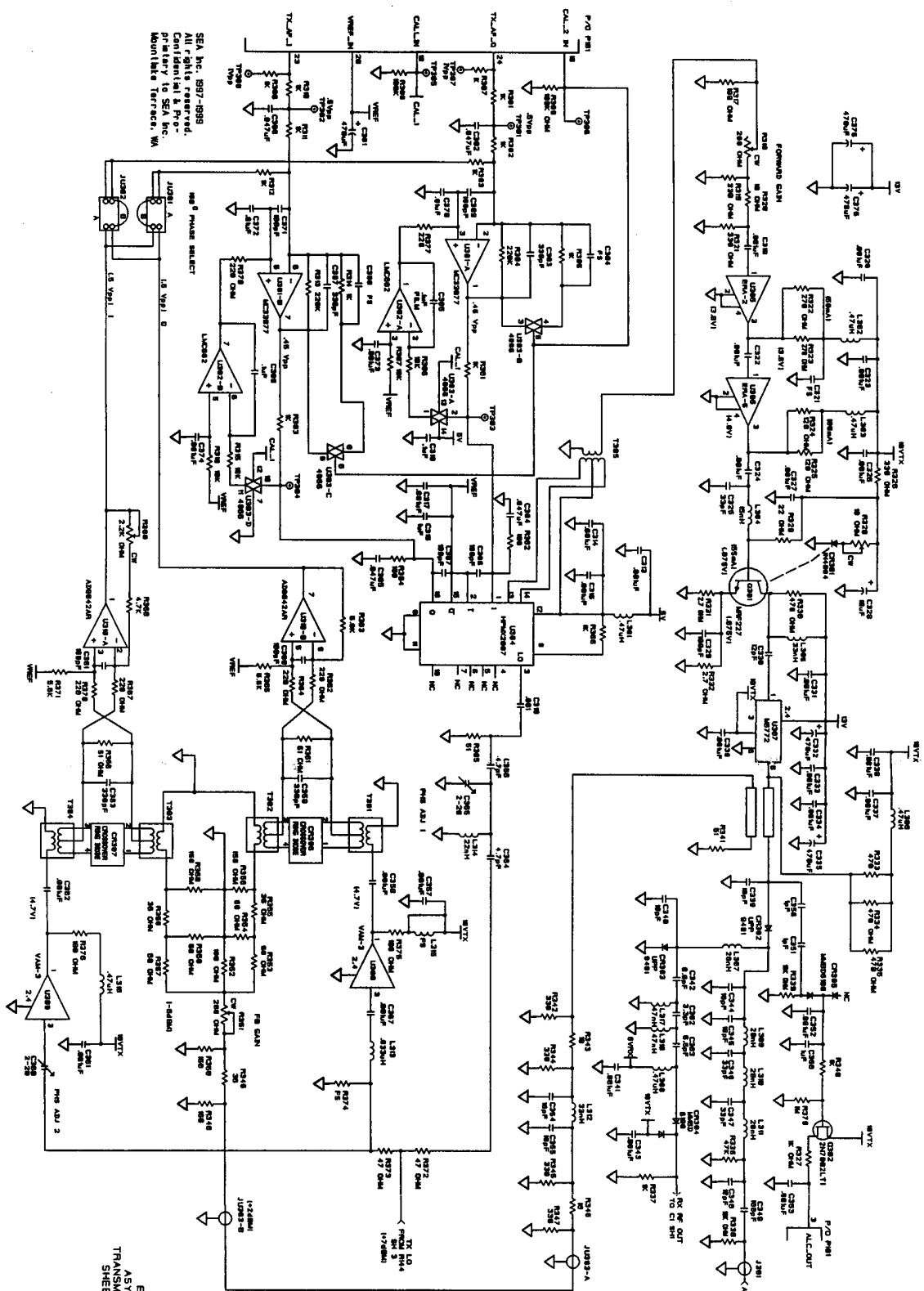
- LEGEND -
 → INDICATES CONNECTION ON ANOTHER SHEET

SEA Inc. 1997-1999
 All rights reserved.
 Confidential & Proprietary to SEA Inc.
 Mountlake Terrace, WA

- REVISION HISTORY -
 D:\NSW\22188881-3-00 8/21/97 amp
 D:\NSW\22188881-3-00 8/28/98 amp
 8/28/98 EDN 7378 REV 9

HIGHEST DESIGNATION USED:
 C87, C88, L85, P81, O83,
 R18, TP88, U8, VCO81, Y81
 REFERENCE DESIGNATIONS NOT USED:

ESP600
 ASY-0600-01
 SYNTHESIZER SECTION
 SHEET 3 OF 4



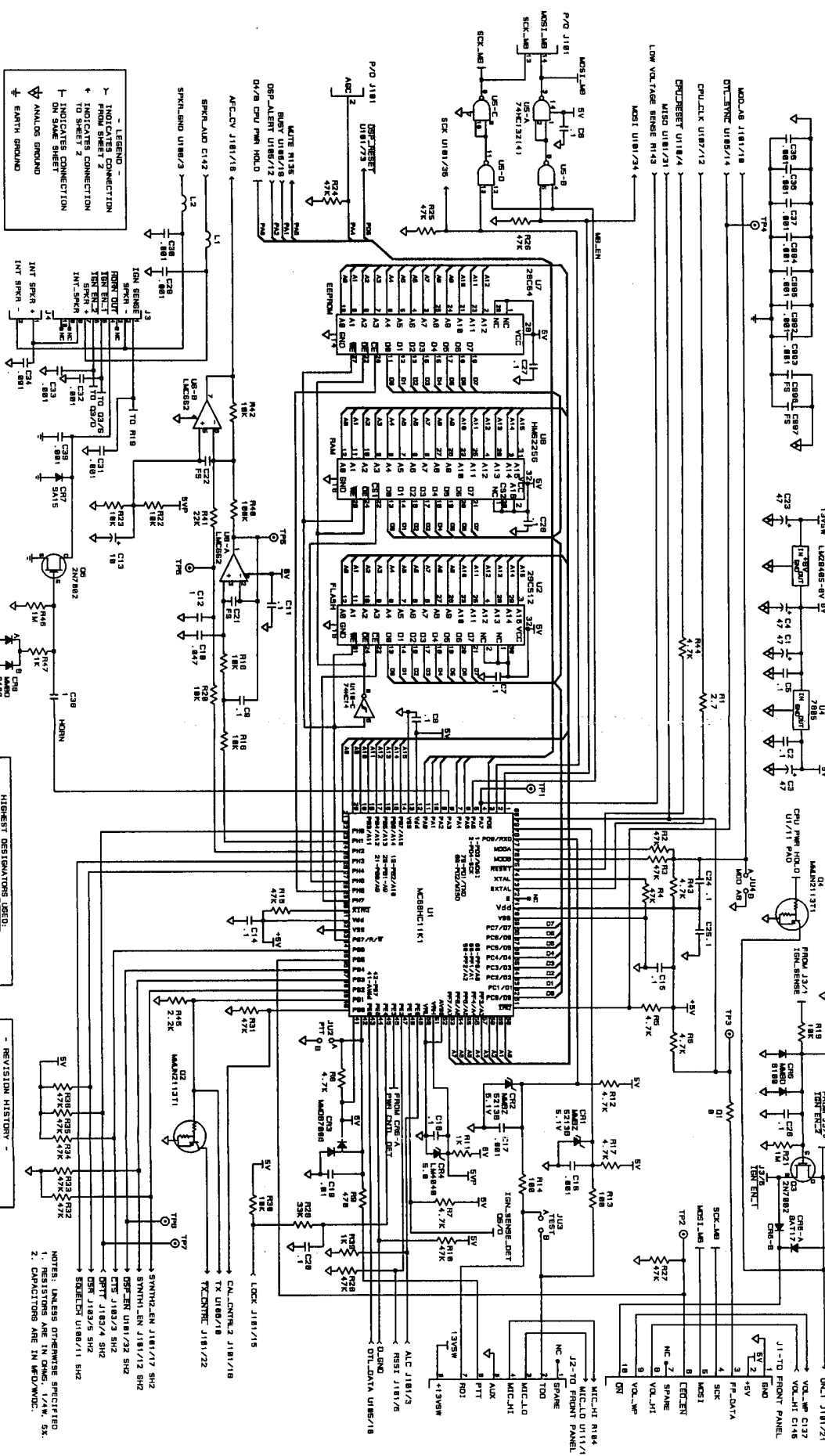
SEA, INC. B97-899
 All rights reserved.
 Confidential & Proprietary to SEA, INC.
 Mountable Interface, WA

ESR688
 ASSEMBLY SECTION
 TRANSMITTER SECTION
 SHEET 4 OF 4

- NOTES: Where other values specified
 1. Capacitors are in microfarads
 2. Resistors are in ohms unless otherwise specified
- HERBERT REDEMPTION LITERATURE
 C877, C878, J481, J482, L328, L329, L330, L331, L332, L333, L334, L335, L336, L337, L338, L339, L340, L341, L342, L343, L344, L345, L346, L347, L348, L349, L350, L351, L352, L353, L354, L355, L356, L357, L358, L359, L360, L361, L362, L363, L364, L365, L366, L367, L368, L369, L370, L371, L372, L373, L374, L375, L376, L377, L378, L379, L380, L381, L382, L383, L384, L385, L386, L387, L388, L389, L390, L391, L392, L393, L394, L395, L396, L397, L398, L399, L400, L401, L402, L403, L404, L405, L406, L407, L408, L409, L410, L411, L412, L413, L414, L415, L416, L417, L418, L419, L420, L421, L422, L423, L424, L425, L426, L427, L428, L429, L430, L431, L432, L433, L434, L435, L436, L437, L438, L439, L440, L441, L442, L443, L444, L445, L446, L447, L448, L449, L450, L451, L452, L453, L454, L455, L456, L457, L458, L459, L460, L461, L462, L463, L464, L465, L466, L467, L468, L469, L470, L471, L472, L473, L474, L475, L476, L477, L478, L479, L480, L481, L482, L483, L484, L485, L486, L487, L488, L489, L490, L491, L492, L493, L494, L495, L496, L497, L498, L499, L500, L501, L502, L503, L504, L505, L506, L507, L508, L509, L510, L511, L512, L513, L514, L515, L516, L517, L518, L519, L520, L521, L522, L523, L524, L525, L526, L527, L528, L529, L530, L531, L532, L533, L534, L535, L536, L537, L538, L539, L540, L541, L542, L543, L544, L545, L546, L547, L548, L549, L550, L551, L552, L553, L554, L555, L556, L557, L558, L559, L560, L561, L562, L563, L564, L565, L566, L567, L568, L569, L570, L571, L572, L573, L574, L575, L576, L577, L578, L579, L580, L581, L582, L583, L584, L585, L586, L587, L588, L589, L590, L591, L592, L593, L594, L595, L596, L597, L598, L599, L600, L601, L602, L603, L604, L605, L606, L607, L608, L609, L610, L611, L612, L613, L614, L615, L616, L617, L618, L619, L620, L621, L622, L623, L624, L625, L626, L627, L628, L629, L630, L631, L632, L633, L634, L635, L636, L637, L638, L639, L640, L641, L642, L643, L644, L645, L646, L647, L648, L649, L650, L651, L652, L653, L654, L655, L656, L657, L658, L659, L660, L661, L662, L663, L664, L665, L666, L667, L668, L669, L670, L671, L672, L673, L674, L675, L676, L677, L678, L679, L680, L681, L682, L683, L684, L685, L686, L687, L688, L689, L690, L691, L692, L693, L694, L695, L696, L697, L698, L699, L700, L701, L702, L703, L704, L705, L706, L707, L708, L709, L710, L711, L712, L713, L714, L715, L716, L717, L718, L719, L720, L721, L722, L723, L724, L725, L726, L727, L728, L729, L730, L731, L732, L733, L734, L735, L736, L737, L738, L739, L740, L741, L742, L743, L744, L745, L746, L747, L748, L749, L750, L751, L752, L753, L754, L755, L756, L757, L758, L759, L760, L761, L762, L763, L764, L765, L766, L767, L768, L769, L770, L771, L772, L773, L774, L775, L776, L777, L778, L779, L780, L781, L782, L783, L784, L785, L786, L787, L788, L789, L790, L791, L792, L793, L794, L795, L796, L797, L798, L799, L800, L801, L802, L803, L804, L805, L806, L807, L808, L809, L810, L811, L812, L813, L814, L815, L816, L817, L818, L819, L820, L821, L822, L823, L824, L825, L826, L827, L828, L829, L830, L831, L832, L833, L834, L835, L836, L837, L838, L839, L840, L841, L842, L843, L844, L845, L846, L847, L848, L849, L850, L851, L852, L853, L854, L855, L856, L857, L858, L859, L860, L861, L862, L863, L864, L865, L866, L867, L868, L869, L870, L871, L872, L873, L874, L875, L876, L877, L878, L879, L880, L881, L882, L883, L884, L885, L886, L887, L888, L889, L890, L891, L892, L893, L894, L895, L896, L897, L898, L899, L900, L901, L902, L903, L904, L905, L906, L907, L908, L909, L910, L911, L912, L913, L914, L915, L916, L917, L918, L919, L920, L921, L922, L923, L924, L925, L926, L927, L928, L929, L930, L931, L932, L933, L934, L935, L936, L937, L938, L939, L940, L941, L942, L943, L944, L945, L946, L947, L948, L949, L950, L951, L952, L953, L954, L955, L956, L957, L958, L959, L960, L961, L962, L963, L964, L965, L966, L967, L968, L969, L970, L971, L972, L973, L974, L975, L976, L977, L978, L979, L980, L981, L982, L983, L984, L985, L986, L987, L988, L989, L990, L991, L992, L993, L994, L995, L996, L997, L998, L999, L1000

- L88888 - REVISION HISTORY
- > INDICATES CONNECTION ON ANOTHER SHEET
- > INDICATES CONNECTION ON SAME SHEET

© 1988, ALL RIGHTS RESERVED BY THE U.S. GOVERNMENT



LEGEND

- INDICATED CONNECTION FROM SHEET 2
- INDICATED CONNECTION TO SHEET 2
- INDICATED CONNECTION ON SHEET 2
- ANALOG GROUND
- EARTH GROUND

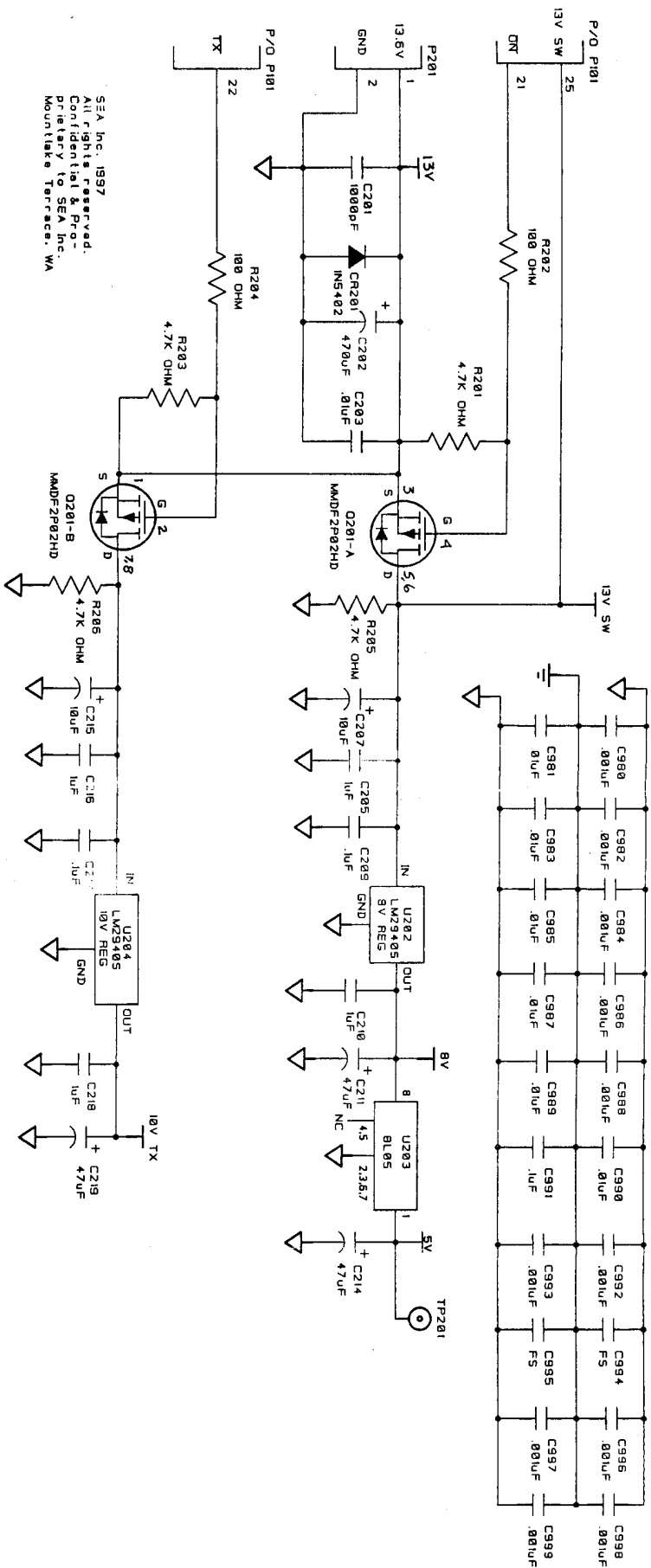
HIGHEST DESIGNATIONS USED:

C38 C98 14, J08 13, O8, N47, T98, UB
 DESIGNATIONS NOT USED:
 J01

REVISION HISTORY

NOVA-8898-82	1/17/87	19
8808882 SHI 8/28/87	JAF/190	
8808882 SHI 2/16/88	REV A	
8808882 SHI 8/11/88	REV B	

NOTES: UNLESS OTHERWISE SPECIFIED
 1. RESISTORS ARE IN OHMS, 1%W, 5%
 2. CAPACITORS ARE IN PFD/WDC.

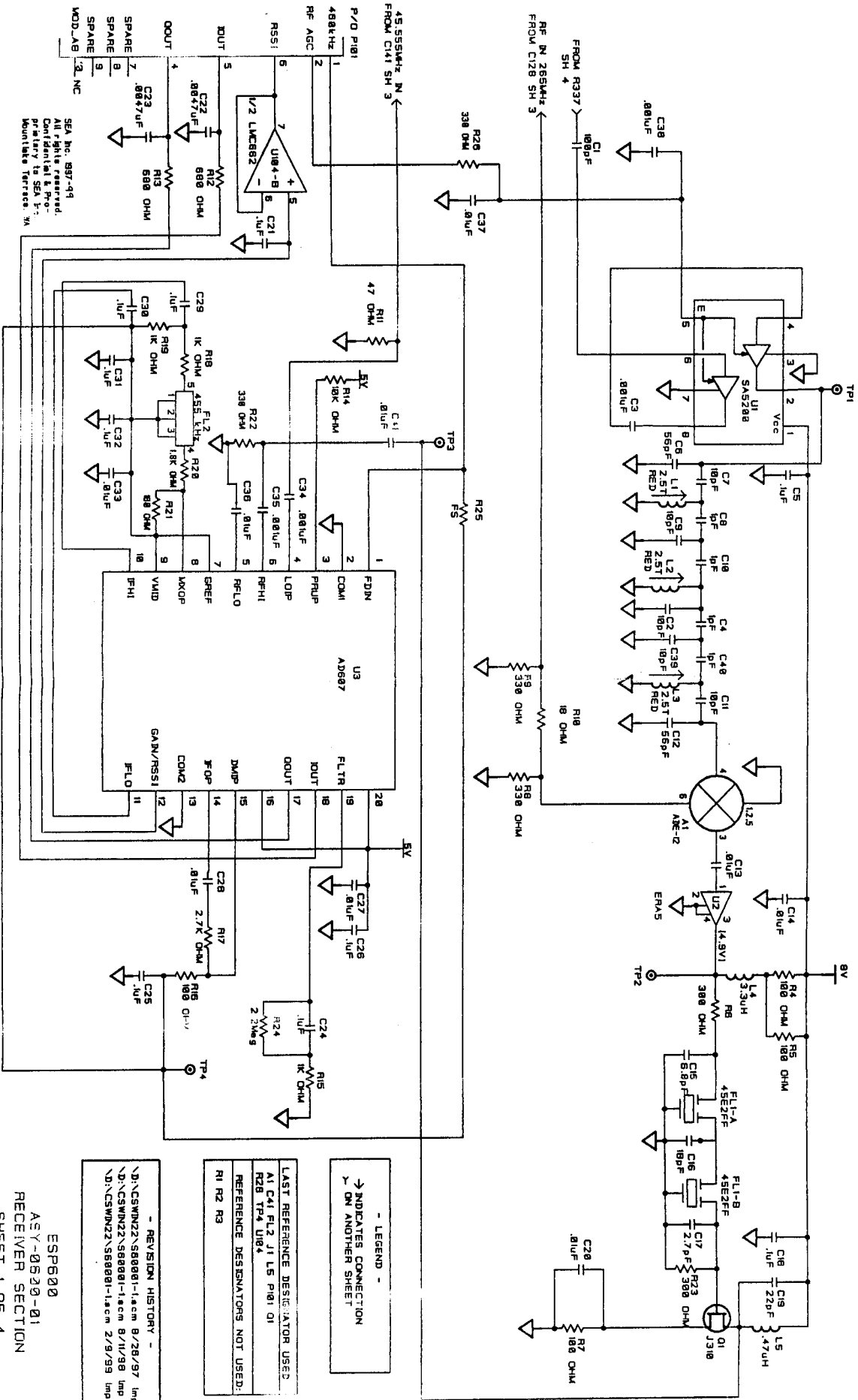


SEA, Inc. 1997
 All rights reserved.
 Confidential & Proprietary to SEA, Inc.
 Mountlake Terrace, WA

LAST REFERENCE DESIGNATOR USED:	
C201-C219	C980-C998
Q201	R205
REFERENCE DESIGNATORS NOT USED:	
C204, C206, C208, C212, C213, U201	

- REVISION HISTORY -	
N:\D:\CSWIN22\560001-2.scm	8/28/97 imp
N:\D:\CSWIN22\560001-2.scm	4/17/98 imp
2/19/99 REV	

ESP600
 ASY-0600-01
 POWER DISTRIBUTION
 SHEET 2 OF 4



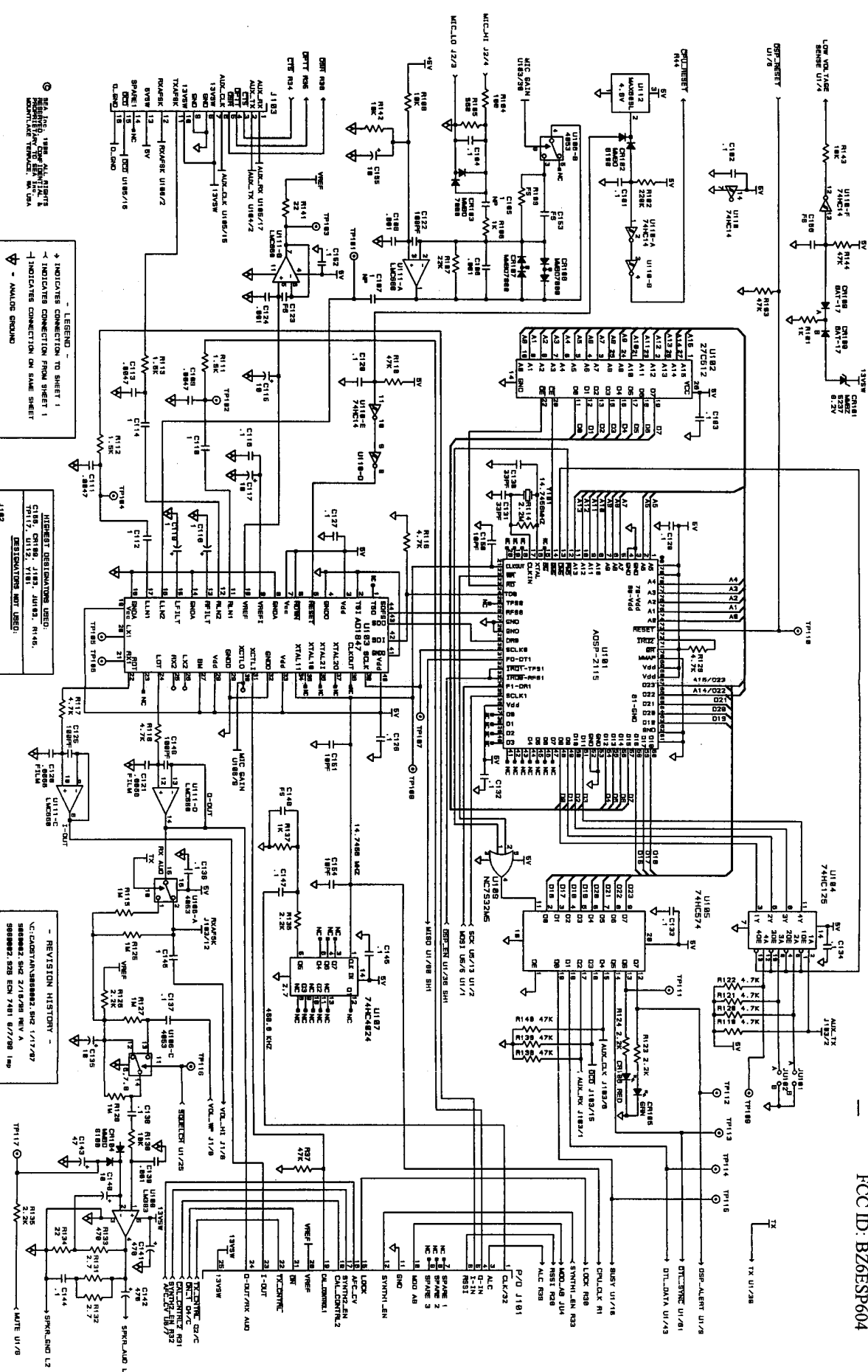
- LEGEND -
 → INDICATES CONNECTION
 ON ANOTHER SHEET

LAST REFERENCE DESIGNATOR USED
 A1 C41 FL2 J1 L5 P101 Q1
 R28 TP4 U104
 REFERENCE DESIGNATORS NOT USED:
 R1 R2 R3

- REVISION HISTORY -
 D:\CSWIN22\580001-1.scm 8/28/97 Imp
 D:\CSWIN22\580001-1.scm 8/11/98 Imp
 D:\CSWIN22\580001-1.scm 2/9/99 Imp

ESP800
 ASY-0530-01
 RECEIVER SECTION
 SHEET 1 OF 4

SEA No. B97-99
 All rights reserved.
 Copyright SEA P-1
 Mountain Terrace, VA



REVISION HISTORY

NOVA DIGITAL BOARD
SHEET 2 OF 2

LEGEND

INDICATES CONNECTION TO SHEET 1

INDICATES CONNECTION FROM SHEET 1

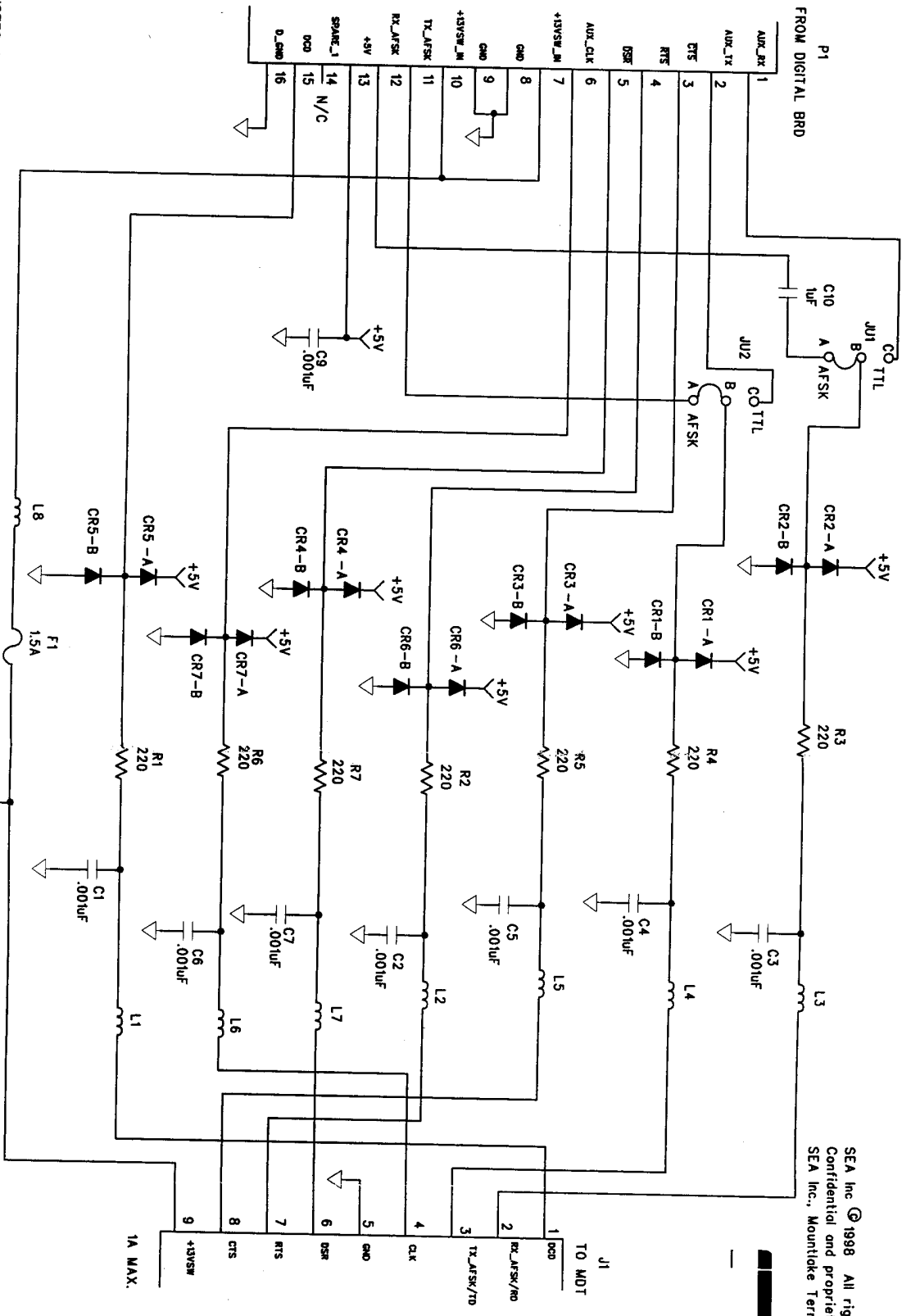
INDICATES CONNECTION ON SAME SHEET

ANALOG GROUND

REVISION HISTORY

NOVA DIGITAL BOARD
SHEET 2 OF 2

FROM DIGITAL BRD
P1



NOTES: Unless otherwise specified
All resistors are in ohms, 1/4W, 5%.
Capacitors are in microfarads except as noted.

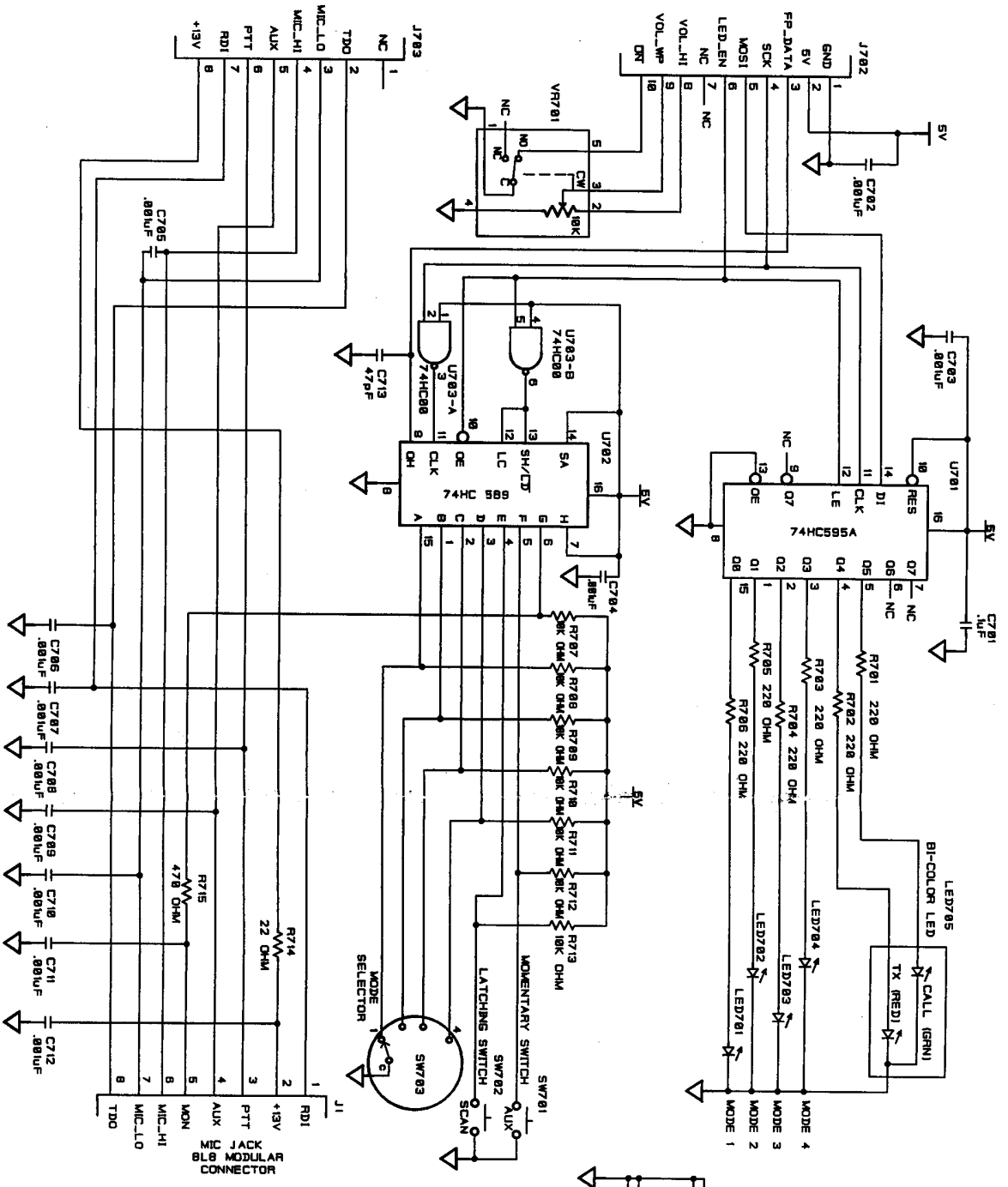
LAST USED REFERENCE DESIGNATOR:
C10 CR7 F1 J1 JU2 L8 P1 R7

-REVISION HISTORY-
D:/podsprw/50600-12.sch 8/19/98 JMF/lp

ESP600
AFSK/TTL DATA BOARDS
ASY-0600-11 (AFSK)
ASY-0600-12 (TTL)

SEA Inc © 1998 All rights reserved.
Confidential and proprietary to
SEA Inc., Mountlake Terrace, WA USA

FCC ID: BZ0ESP604

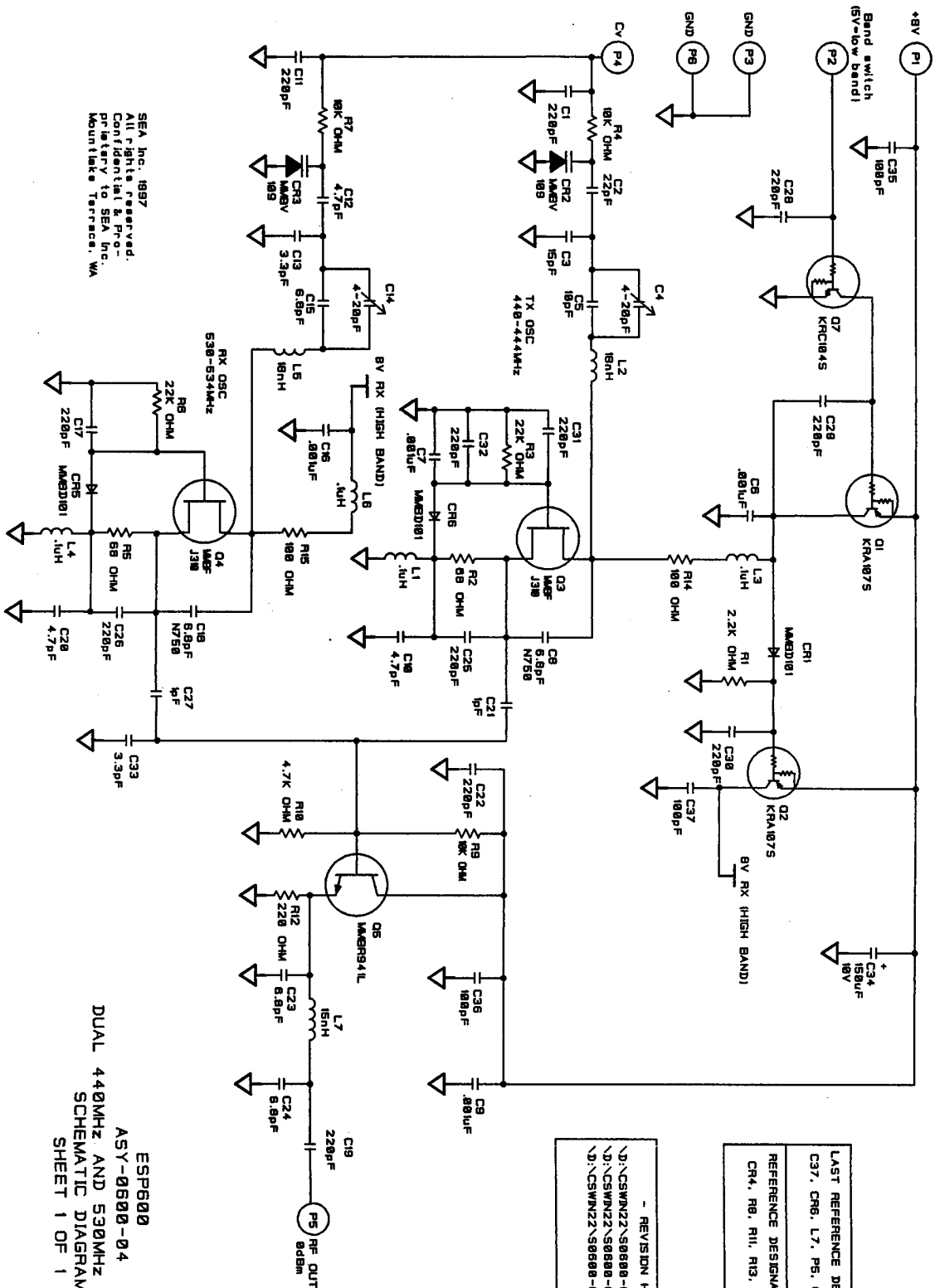


SEA Inc. 1997-1998
 All Rights Reserved.
 Confidential & Proprietary to SEA Inc.
 Mountlake Terrace, WA

HIGHEST DESIGNATOR USED:
 C713, J703, LED705, R715,
 SW703, U703, V701

- REVISION HISTORY -
 \D:\CSWIN22\50800-03.acm 8/6/98 Imp REV A
 \D:\CSWIN22\50800-03B.acm 8/7/99 Imp REV B

ESP600
 ASY-0500-03
 FRONT PANEL SCHEMATIC
 SHEET 1 OF 1

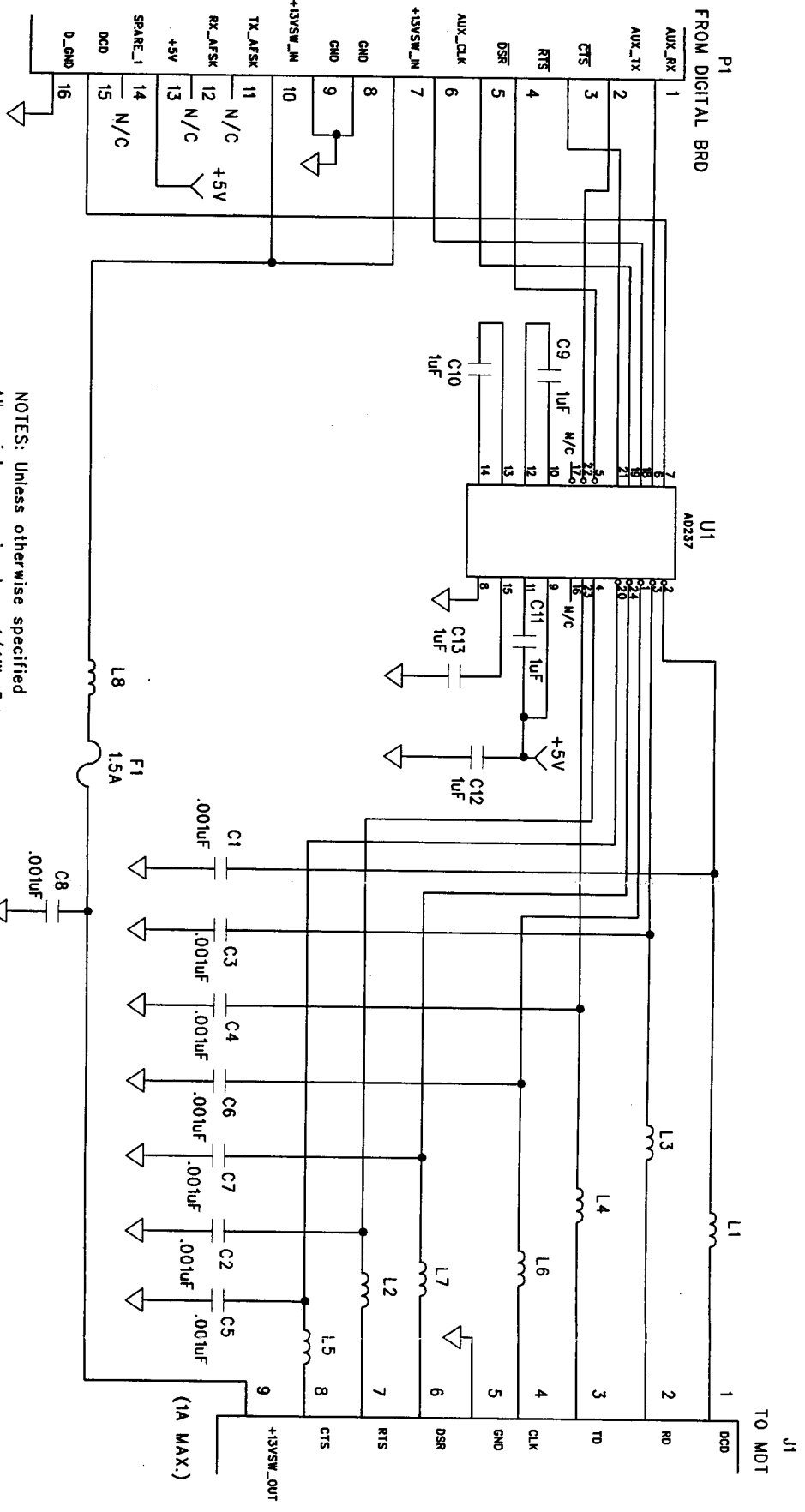


SEA Inc. 1897
 All rights reserved.
 Confidential & Proprietary to SEA Inc.
 Mountlake Terrace, WA

ESP600
 ASY-0600-04
 DUAL 440MHz AND 530MHz FET VCO
 SCHEMATIC DIAGRAM
 SHEET 1 OF 1

- REVISION HISTORY -
 \D:\CSWIN\22.50600-04.ascm 8/29/97 jmf
 \D:\CSWIN\22.50600-04.ascm 4/28/98 imp
 \D:\CSWIN\22.50600-04.ascm 2/9/99 imp

LAST REFERENCE DESIGNATOR USED:
 C37, C86, L7, P6, Q7, R15
 REFERENCE DESIGNATOR NOT USED:
 CR4, R8, R11, R13, Q8



NOTES: Unless otherwise specified
 All resistors are in ohms, 1/4W, 5%.
 Capacitors are in microfarads except at noted.

SEA Inc © 1998 All rights reserved.
 Confidential and proprietary to
 SEA Inc., Mountlake Terrace, WA USA

LAST USED REFERENCE DESIGNATOR:
 C13 F1 J1 L8 P1 U1

-REVISION HISTORY-
 D:/podspwr/S0600-13.sch 8/19/98 JMF/lp

ASY-0600-13
 ESP600 RS232 DATA BOARD
 SHEET 1 OF 1