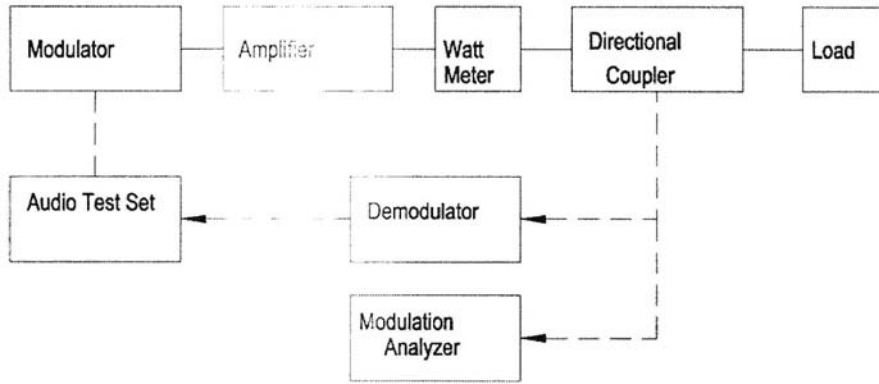
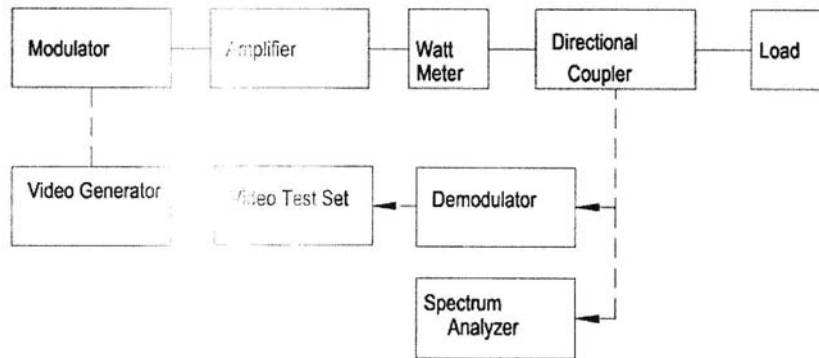


BZ5T2500U
Application for FCC Certification
Modulator Input 2500Watt UHF Translator

Test Setup Block Diagram



Video Test Setup



Audio Test Setup

BZ5T2500U
Application for FCC Certification
Modulator Input 2500Watt UHF Translator

Test Equipment List:

Instrument	Make/Model	Serial #	Cal. Due Date
Spectrum Analyzer	HP 8591E	3308A01099	Aug 04 2004
Sideband Adapter	Tek 1405	B040435	Aug 06 2004
Video Test Set	Tek VM700A	B03848	Feb 24 2005
Waveform Generator	Tek 1910	B010752	Oct 14 2004
Audio Generator	Tek ASG100	B010581	Aug 01 2004
Frequency Counter	HP 5385A	2730A04405	Aug 08 2004
TV Test Receiver	EFA	2067.3004.93	Jul 03 2005
Mod Meter	HP 8901A	2142A04405	Aug 08 2004
Power Meter	Coax Dyn. 81000-A	4196	Mar 07 2005