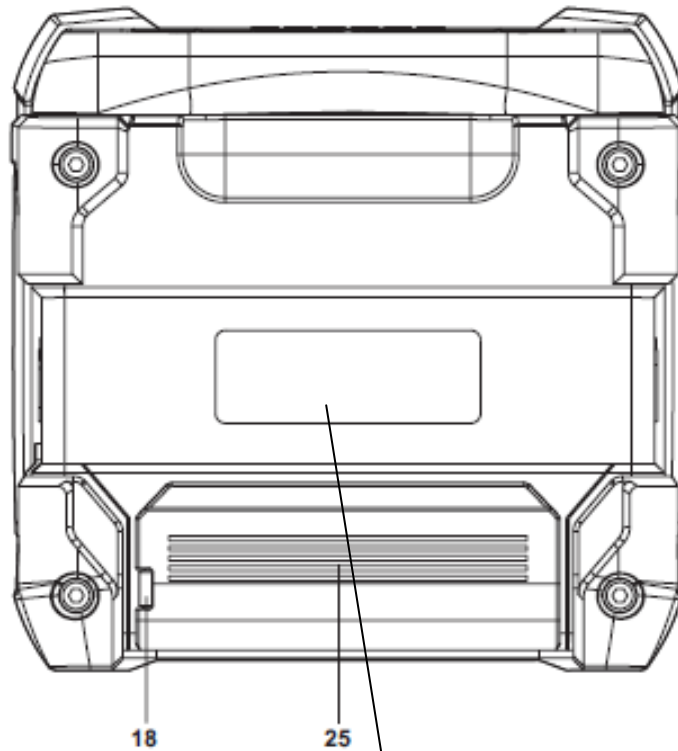





The label will be permanently affixed and readily visible.

DMR200 Label Location



d





 製造年月、製造番号(例:1601 XXXXX)
 YEAR & MONTH OF PRODUCTION
 & PRODUCTION NO. (ex.1601 XXXXX)