

1

2

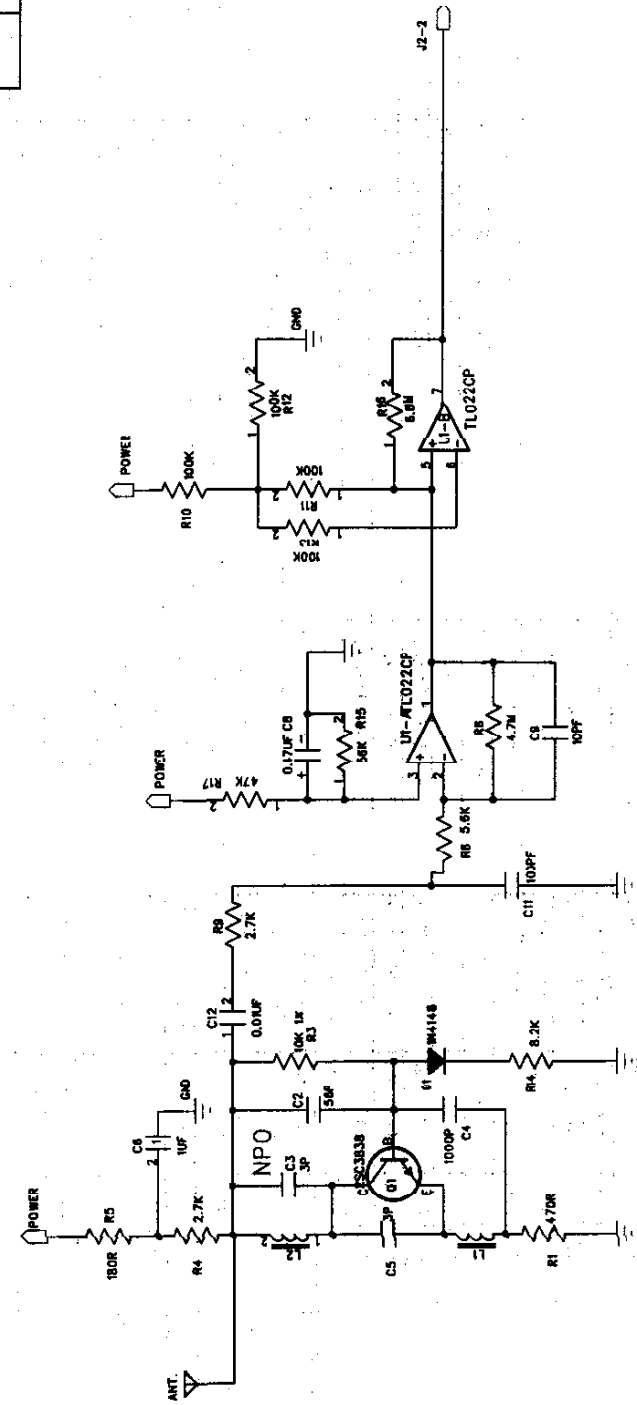
3

4

5

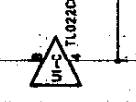
6

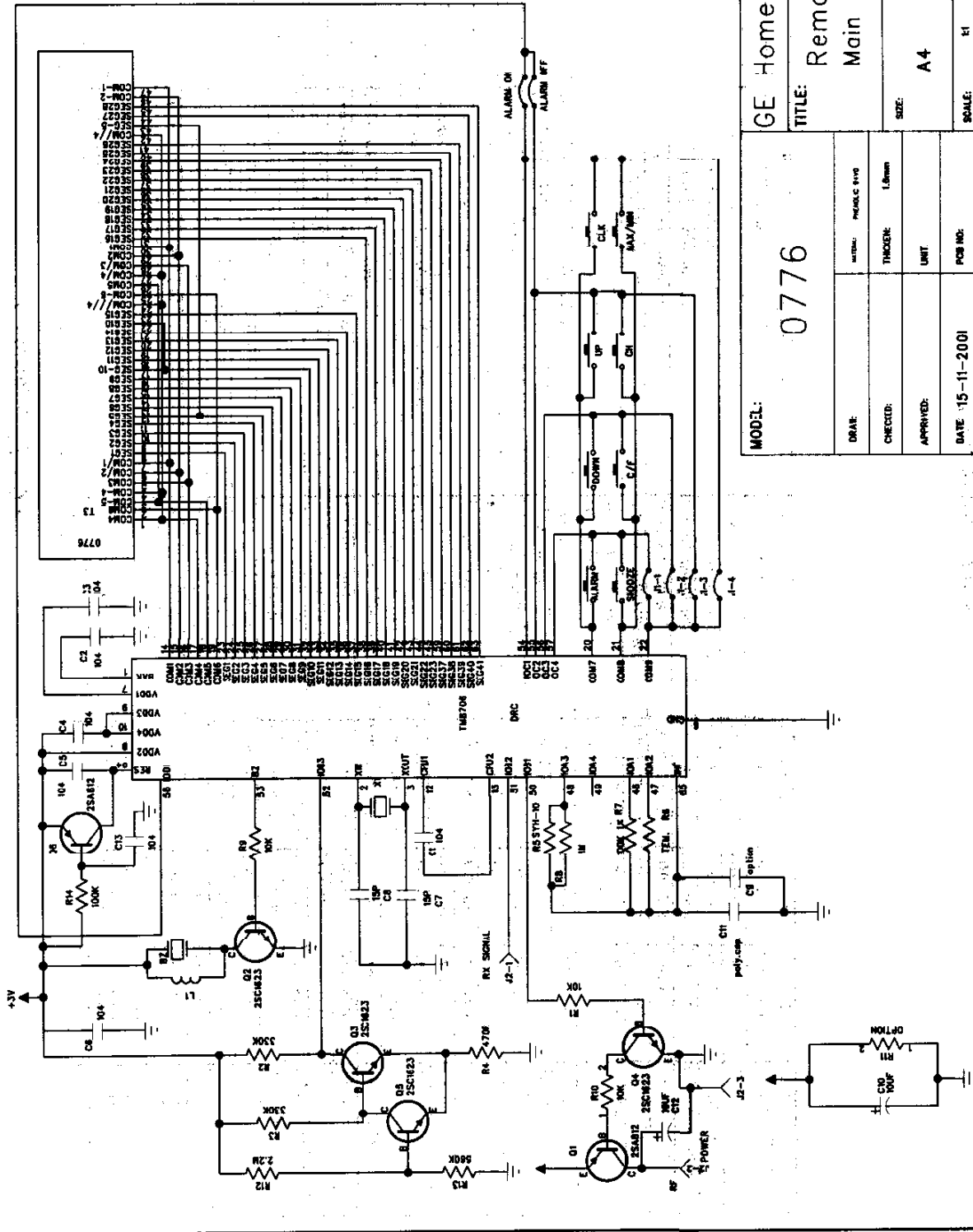
REVISION RECORD	
LTR	DATE



0776

MODEL:		0776	
DATE:	2009/1/1	DRAWING NO:	E-0746(0)-SCH(1)
CHECKED:		SIZE:	
QUALITY CONTROL:		CODE:	
RELEASED:		SCALE:	
DRAWN:		TITLE:	
		Remote Sensor (TX)	
		RF Receiver Board	
		REV:	V1.0
		SHEET:	OF





GE Home Electric Products, Inc.

MODEL: 0776

TITLE: Remote Sensor (TX) Main Board

DATE:	15-11-2001	SIZE:	A4	REV:	0
CHECKED:		DOC NO.:			
APPROVED:					
DATE:	15-11-2001	SCALE:	1:1	SHEET:	OF