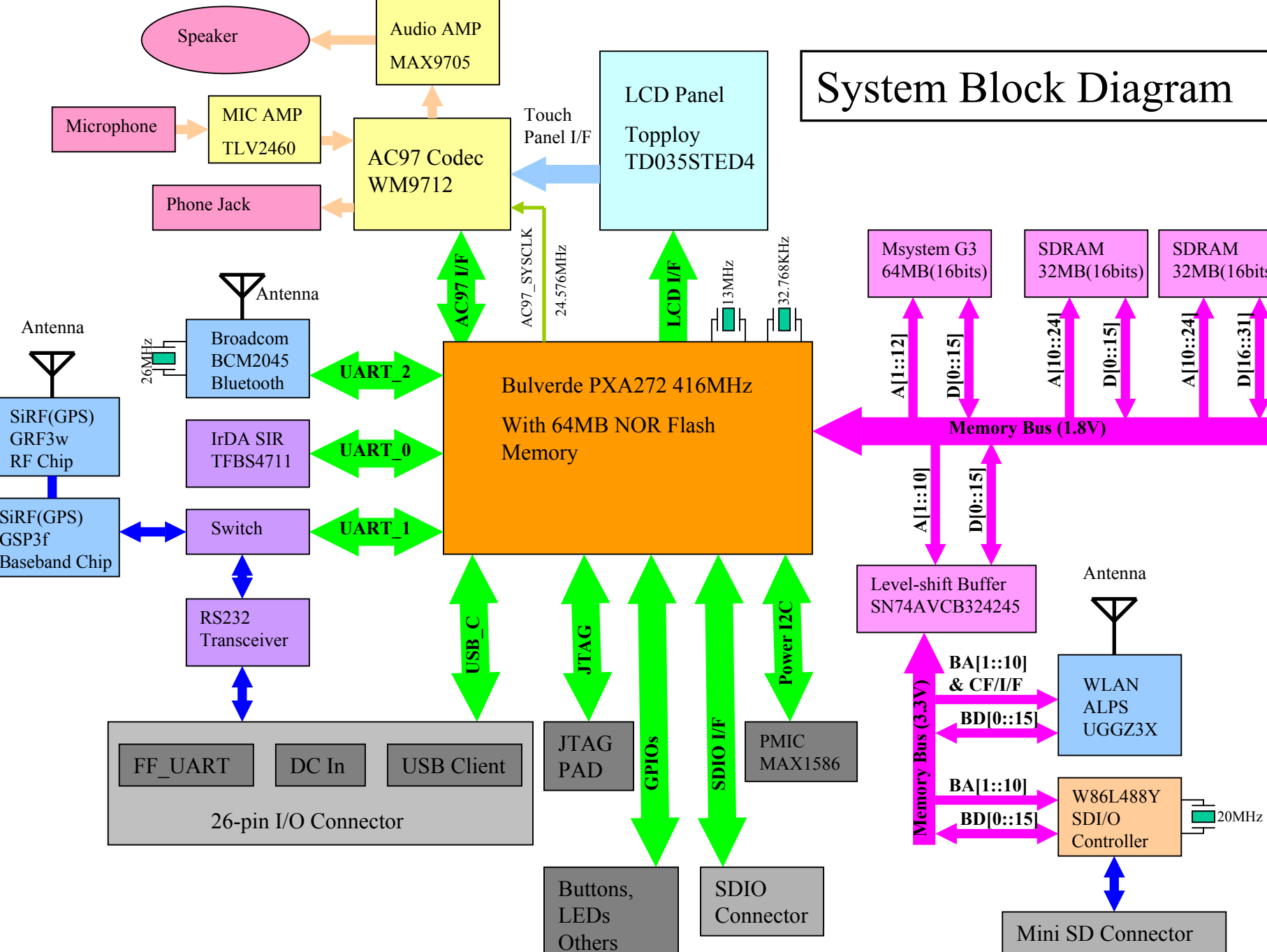
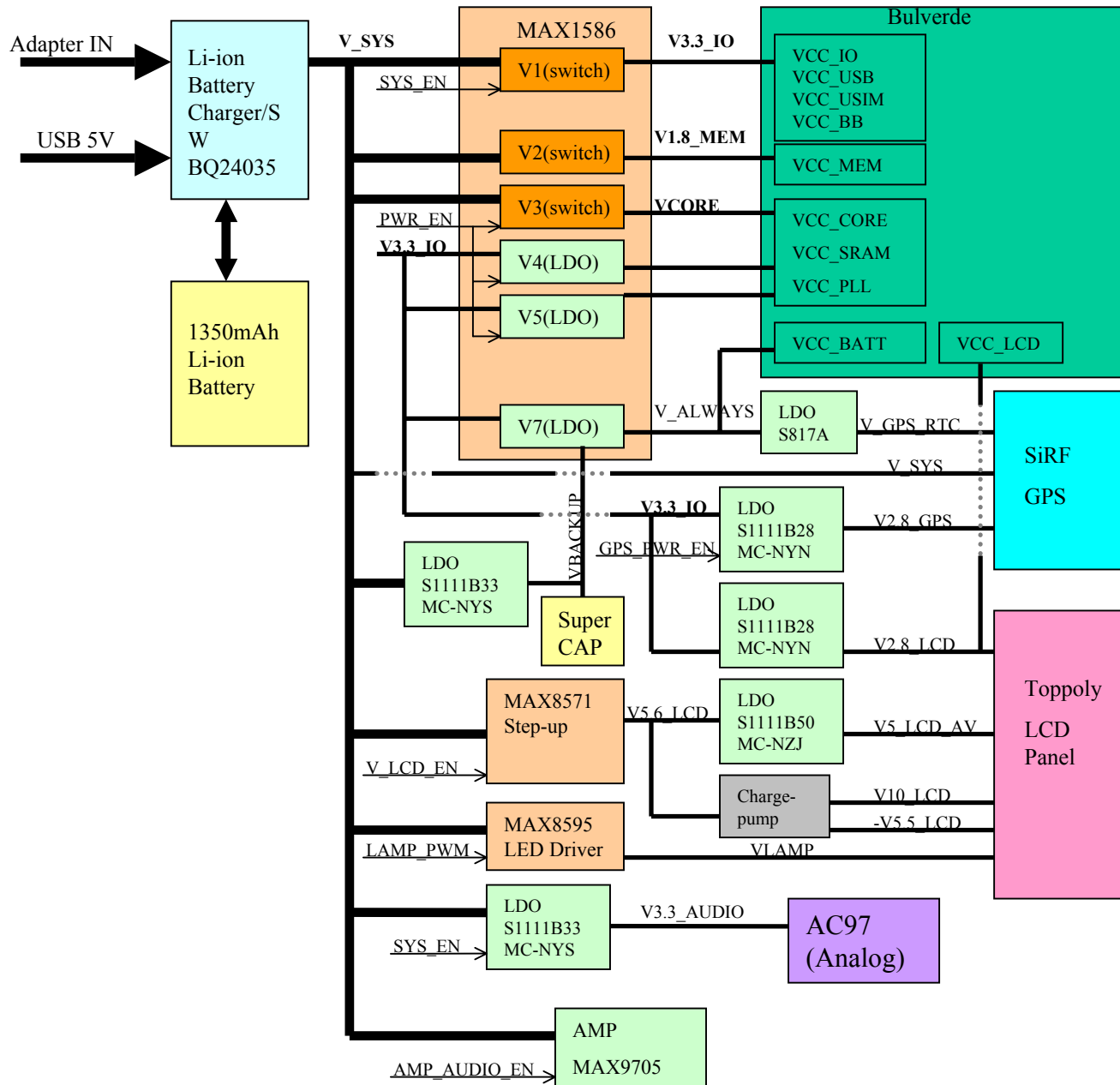


# System Block Diagram



# Power Block Diagram -1



# Power Block Diagram -2

