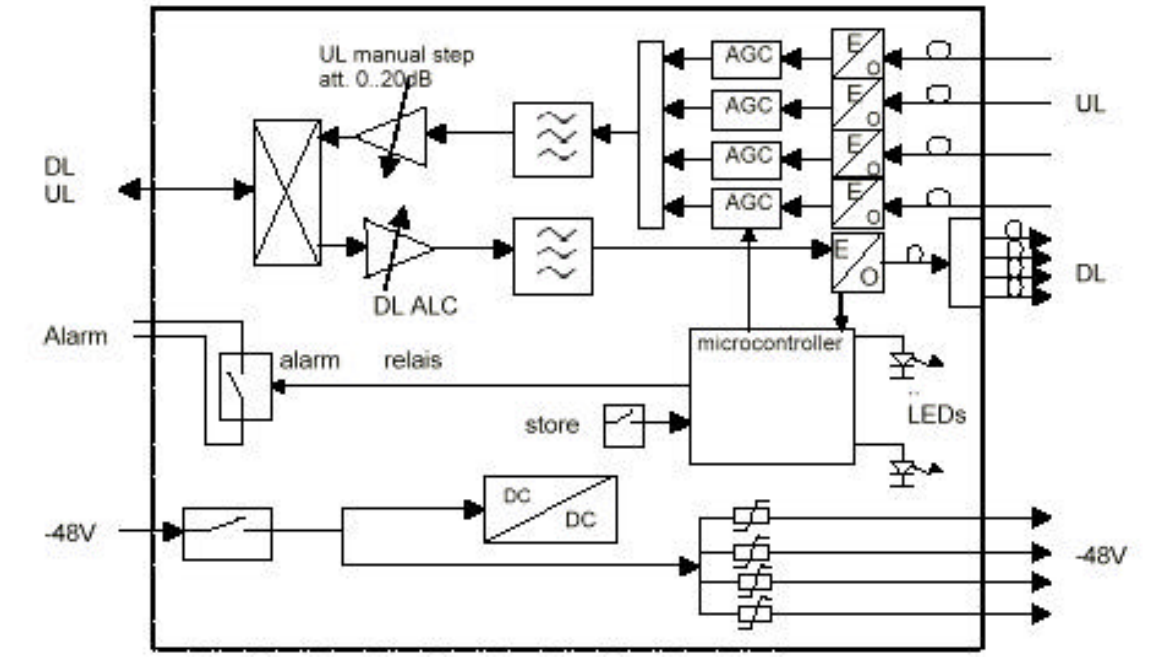


# Block Diagram



# Block Diagram

