

Appendix A

Description of Test Setup

TABLE OF CONTENTS

1. SCOPE	3
2. DESCRIPTION OF TEST SETUP	4

1. SCOPE

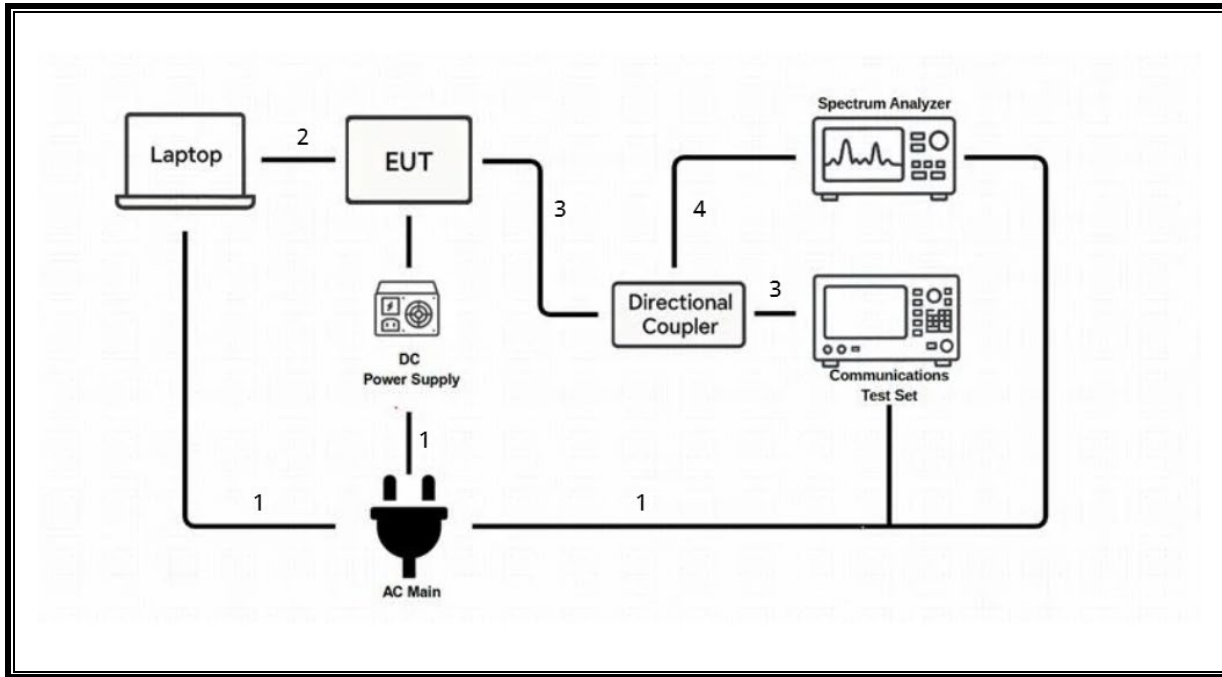
The purpose of this document is to show description of test setup and diagrams for the following reports

Reports
15496277-E21_FCC_IC 2G 3G_Part 22H_24E_27_25_RSS132_133_139
15496277-E22_FCC_IC Part 22H_90_25_RSS132_B5_26
15496277-E23_FCC_IC Part 24E_25_RSS133_B2_25
15496277-E25_FCC_IC Part 25_RSS170_B53_2.4G
15496277-E26_FCC_IC Part 27_25_RSS130_B12_13_17_71
15496277-E27_FCC_IC Part 27_RSS139_B4_66
15496277-E28_FCC_IC Part 27_RSS195_B30
15496277-E29_FCC_IC Part 27_RSS199_B7_41_38
15496277-E30_FCC_Part 27_B70
15496277-E31_FCC Part 27_B77
15496277-E32_IC_RSS192_198_B77_78
15496277-E33_FCC_IC Part 90_25_RSS140_B14
15496277-E34_FCC Part 96_B48

2. DESCRIPTION OF TEST SETUP

SUPPORT TEST EQUIPMENT						
Description	Manufacturer	Model	Serial Number	FCC ID/ DoC	Report Number	
Laptop	Apple	MacBook Pro	C02V4F87HV29	BCGA1708	E21, E22, E26, E33, E29	
Laptop	Apple	MacBook Pro	Y02NCG92X1	BCGA2918	E23, E25, E27, E28, E21	
Laptop	Apple	MacBook Pro	G6GCV9VNCP	BCGA2918	E23, E29, E30,	
Laptop	Apple	MacBook Pro	HRP0095877	BCGA1989	E31, E32, E34, E21, E29	
Laptop	Apple	MacBook Pro	HRP081469	BCGA1989	E31, E32, E34, E21, E29	
Laptop	Apple	MacBook Pro	HRP0102079	BCGA2251	E27, E30, E32, E34,	
AC/DC adapter	Apple	A1718	C4H64450HH3GN8RA6	--	N/A	
AC/DC adapter	Apple	A2130	F16H69002MD000000P	--	N/A	
AC/DC adapter	Apple	A1555 P	XQ76XLCJ2D	--	N/A	
I/O CABLES (RF CONDUCTED TEST)						
Cable No.	Port	# of Identical Ports	Connector Type	Cable Type	Cable Length (m)	Remarks
1	AC	3	US 115V	Un-shielded	2.0	N/A
2	USB	1	DC	Un-shielded	1.0	N/A
3	RF In/Out	2	SMA	shielded	0.9	N/A
4	RF In/Out	1	Barrel	Shielded	N/A	N/A
I/O CABLES (RF RADIATED TEST)						
Cable No.	Port	# of Identical Ports	Connector Type	Cable Type	Cable Length (m)	Remarks
1	RF In/Out	1	SMA	Shielded	5.0	N/A

CONDUCTED SETUP



RADIATED SETUP

