

HAC-RF Emission System Check 2011

Communication System: UID 0, CW; Frequency: 835 MHz; Duty Cycle: 1:1

Phantom section: RF Section

DASY5 Configuration:

- Probe: EF3DV3 - SN4028; ConvF(1, 1, 1) @ 835 MHz; Calibrated: 9/22/2022

- Sensor-Surface: (Fix Surface)

- Electronics: DAE4 Sn1352; Calibrated: 11/18/2022

- Phantom: HAC Test Arch with AMCC; Type: SD HAC P01 BB

- Measurement SW: DASY52, Version 52.10 (4); SEMCAD X Version 14.6.14 (7495)

Dipole E-Field measurement 835MHz/835 MHz/Hearing Aid Compatibility Test at 15mm distance (41x361x1):

Interpolated grid: dx=0.5000 mm, dy=0.5000 mm

Device Reference Point: 0, 0, -6.3 mm

Reference Value = 112.7 V/m; Power Drift = -0.04 dB

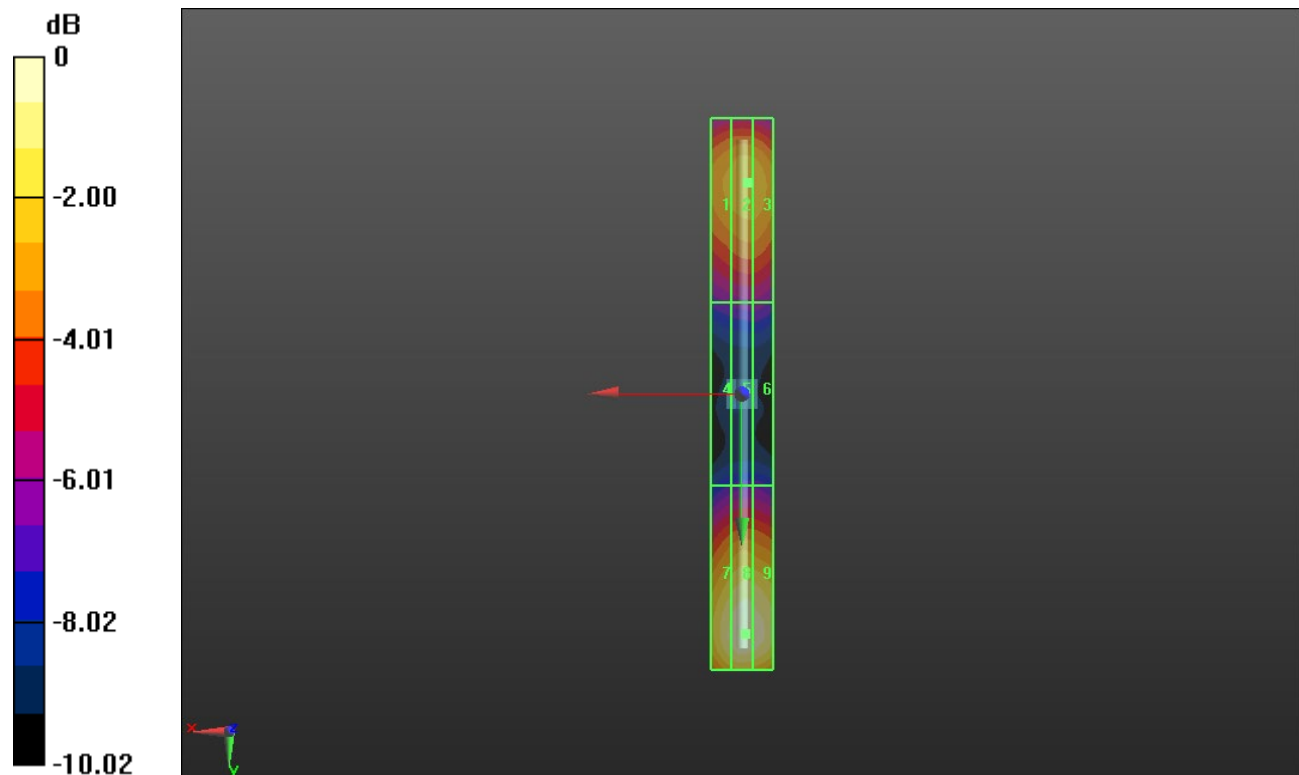
Applied MIF = 0.00 dB

RF audio interference level = 41.42 dBV/m

Emission category: **M3**

MIF scaled E-field

Grid 1 M4 39.07 dBV/m	Grid 2 M4 39.36 dBV/m	Grid 3 M4 39.33 dBV/m
Grid 4 M4 34.99 dBV/m	Grid 5 M4 35.29 dBV/m	Grid 6 M4 35.29 dBV/m
Grid 7 M3 40.96 dBV/m	Grid 8 M3 41.42 dBV/m	Grid 9 M3 41.3 dBV/m



0 dB = 117.8 V/m = 41.42 dBV/m

HAC-RF Emission System Check 2011

Communication System: UID 0, CW; Frequency: 1880 MHz; Duty Cycle: 1:1

Phantom section: RF Section

DASY5 Configuration:

- Probe: EF3DV3 - SN4028; ConvF(1, 1, 1) @ 1880 MHz; Calibrated: 9/22/2022

- Sensor-Surface: (Fix Surface)

- Electronics: DAE4 Sn1352; Calibrated: 11/18/2022

- Phantom: HAC Test Arch with AMCC; Type: SD HAC P01 BB

- Measurement SW: DASY52, Version 52.10 (4); SEMCAD X Version 14.6.14 (7495)

Dipole E-Field Measurement 1880MHz/1880 MHz/Hearing Aid Compatibility Test at 15mm distance (41x181x1):

Interpolated grid: dx=0.5000 mm, dy=0.5000 mm

Device Reference Point: 0, 0, -6.3 mm

Reference Value = 179.5 V/m; Power Drift = -0.02 dB

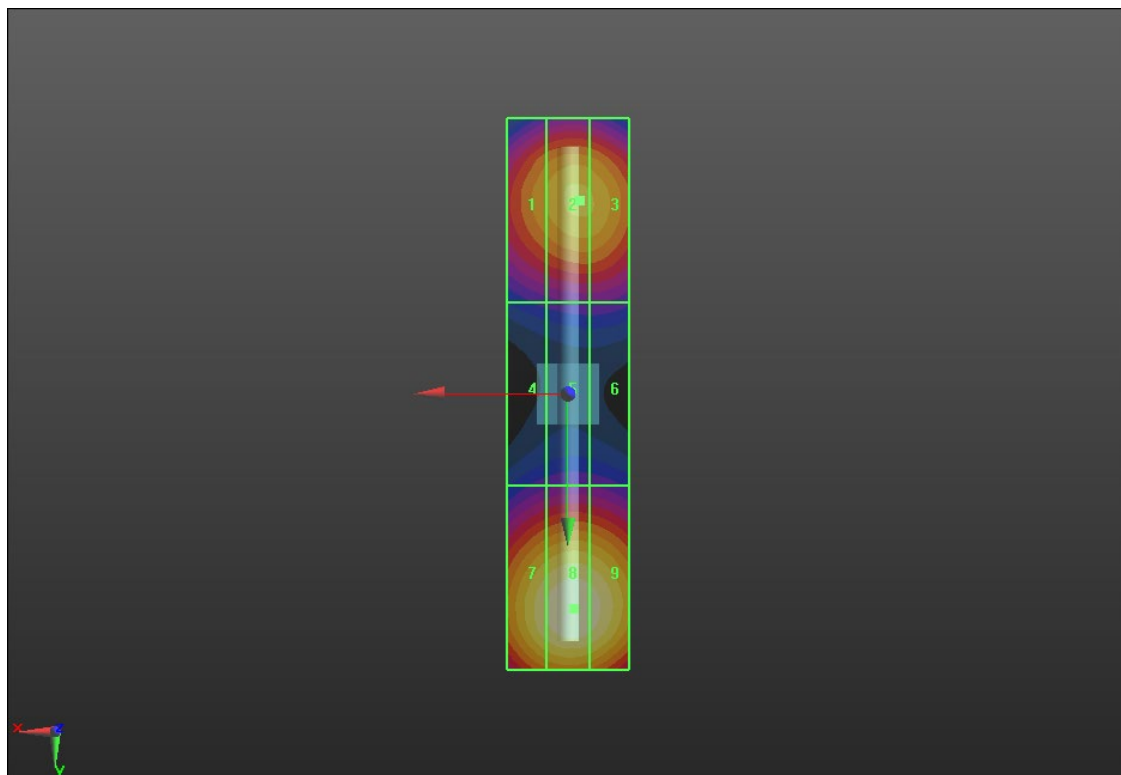
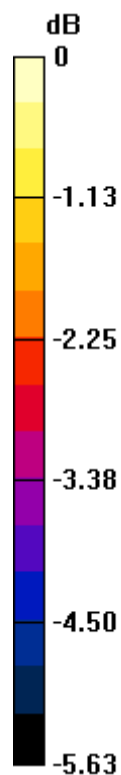
Applied MIF = 0.00 dB

RF audio interference level = 39.80 dBV/m

Emission category: **M2**

MIF scaled E-field

Grid 1 M2 38.34 dBV/m	Grid 2 M2 38.76 dBV/m	Grid 3 M2 38.73 dBV/m
Grid 4 M2 35.96 dBV/m	Grid 5 M2 36.14 dBV/m	Grid 6 M2 36.12 dBV/m
Grid 7 M2 39.45 dBV/m	Grid 8 M2 39.8 dBV/m	Grid 9 M2 39.68 dBV/m



0 dB = 97.69 V/m = 39.80 dBV/m

HAC-RF Emission System Check 2011

Communication System: UID 0, CW (0); Frequency: 2450 MHz; Duty Cycle: 1:1

Phantom section: RF Section

DASY5 Configuration:

- Probe: EF3DV3 - SN4028; ConvF(1, 1, 1) @ 2450 MHz; Calibrated: 9/22/2022

- Sensor-Surface: (Fix Surface)

- Electronics: DAE4 Sn1352; Calibrated: 11/18/2022

- Phantom: HAC Test Arch with AMCC; Type: SD HAC P01 BB

- Measurement SW: DASY52, Version 52.10 (4); SEMCAD X Version 14.6.14 (7495)

Dipole E-Field Measurement 2450MHz/2450 MHz/Hearing Aid Compatibility Test at 15mm distance (41x181x1): Interpolated grid: dx=0.5000 mm, dy=0.5000 mm

Device Reference Point: 0, 0, -6.3 mm

Reference Value = 91.38 V/m; Power Drift = 0.15 dB

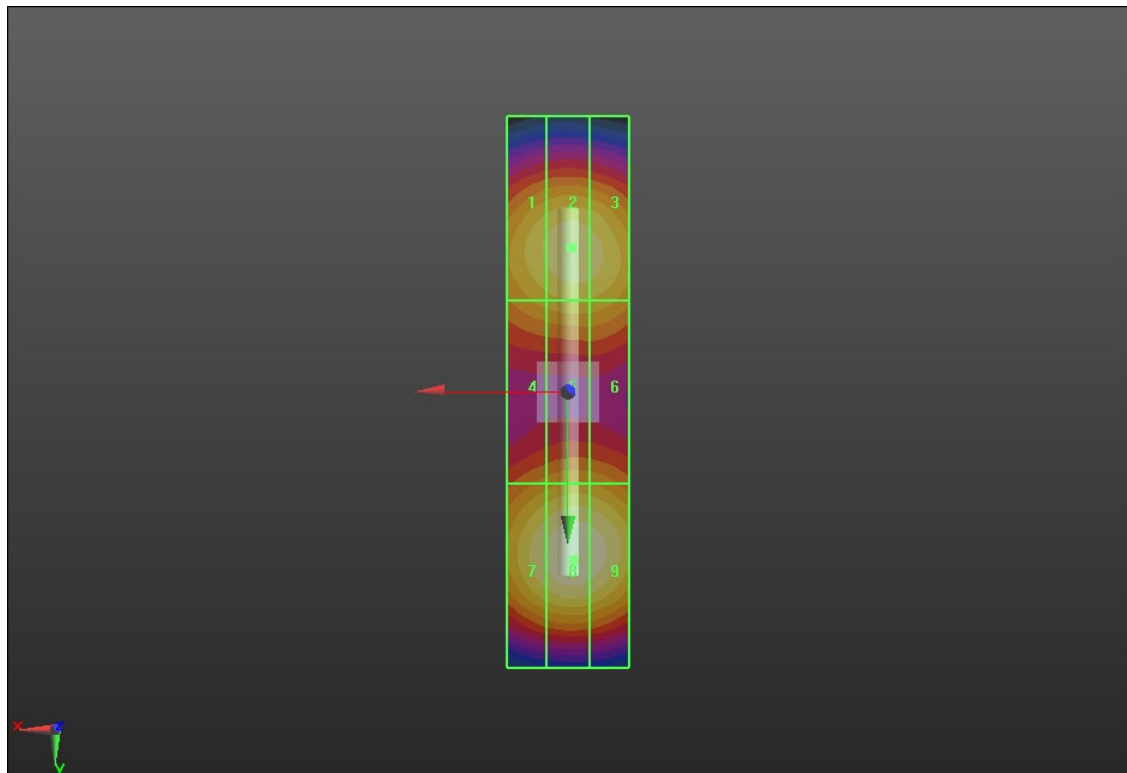
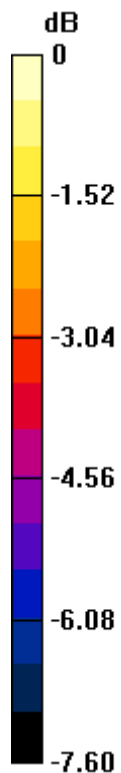
Applied MIF = 0.00 dB

RF audio interference level = 39.73 dBV/m

Emission category: **M2**

MIF scaled E-field

Grid 1 M2 38.82 dBV/m	Grid 2 M2 39.14 dBV/m	Grid 3 M2 39 dBV/m
Grid 4 M2 37.97 dBV/m	Grid 5 M2 38.24 dBV/m	Grid 6 M2 38.18 dBV/m
Grid 7 M2 39.3 dBV/m	Grid 8 M2 39.73 dBV/m	Grid 9 M2 39.63 dBV/m



0 dB = 96.95 V/m = 39.73 dBV/m

HAC-RF Emission System Check 2011

Communication System: UID 0, CW (0); Frequency: 2600 MHz; Duty Cycle: 1:1

Phantom section: RF Section

DASY5 Configuration:

- Probe: EF3DV3 - SN4028; ConvF(1, 1, 1) @ 2600 MHz; Calibrated: 9/22/2022

- Sensor-Surface: (Fix Surface)

- Electronics: DAE4 Sn1352; Calibrated: 11/18/2022

- Phantom: HAC Test Arch with AMCC; Type: SD HAC P01 BB

- Measurement SW: DASY52, Version 52.10 (4); SEMCAD X Version 14.6.14 (7495)

Dipole E-Field Measurement 2600MHz/2600 MHz/Hearing Aid Compatibility Test at 15mm distance (41x181x1): Interpolated grid: dx=0.5000 mm, dy=0.5000 mm

Device Reference Point: 0, 0, -6.3 mm

Reference Value = 76.24 V/m; Power Drift = 0.09 dB

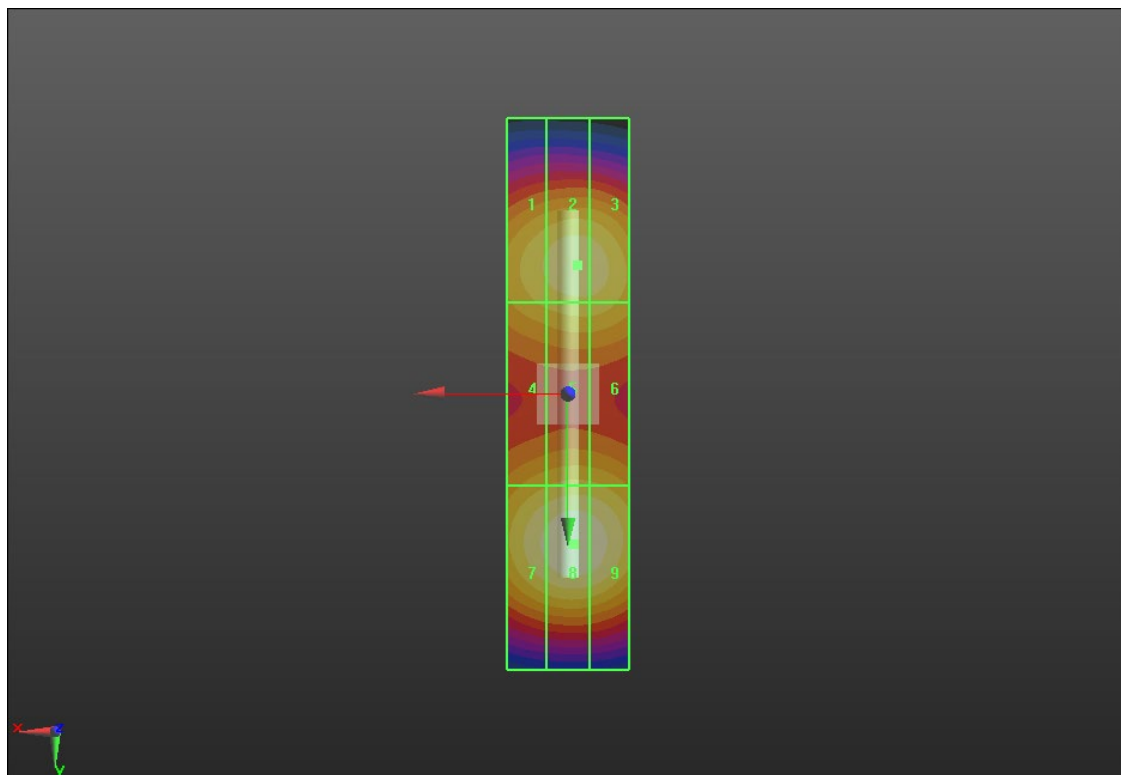
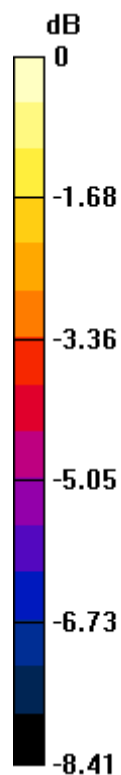
Applied MIF = 0.00 dB

RF audio interference level = 39.71 dBV/m

Emission category: **M2**

MIF scaled E-field

Grid 1 M2 38.67 dBV/m	Grid 2 M2 39 dBV/m	Grid 3 M2 38.95 dBV/m
Grid 4 M2 38.19 dBV/m	Grid 5 M2 38.47 dBV/m	Grid 6 M2 38.46 dBV/m
Grid 7 M2 39.31 dBV/m	Grid 8 M2 39.71 dBV/m	Grid 9 M2 39.56 dBV/m



0 dB = 96.71 V/m = 39.71 dBV/m

HAC-RF Emission System Check 2011

Communication System: UID 0, CW (0); Frequency: 3500 MHz; Duty Cycle: 1:1

Phantom section: RF Section

DASY5 Configuration:

- Probe: EF3DV3 - SN4028; ConvF(1, 1, 1) @ 3500 MHz; Calibrated: 9/22/2022

- Sensor-Surface: (Fix Surface)

- Electronics: DAE4 Sn1352; Calibrated: 11/18/2022

- Phantom: HAC Test Arch with AMCC; Type: SD HAC P01 BB

- Measurement SW: DASY52, Version 52.10 (4);SEMCAD X Version 14.6.14 (7495)

Dipole E-Field Measurement 3500MHz/3500 MHz/Hearing Aid Compatibility Test at 15mm distance (41x181x1):

Interpolated grid: dx=0.5000 mm, dy=0.5000 mm

Device Reference Point: 0, 0, -6.3 mm

Reference Value = 40.97 V/m; Power Drift = 0.02 dB

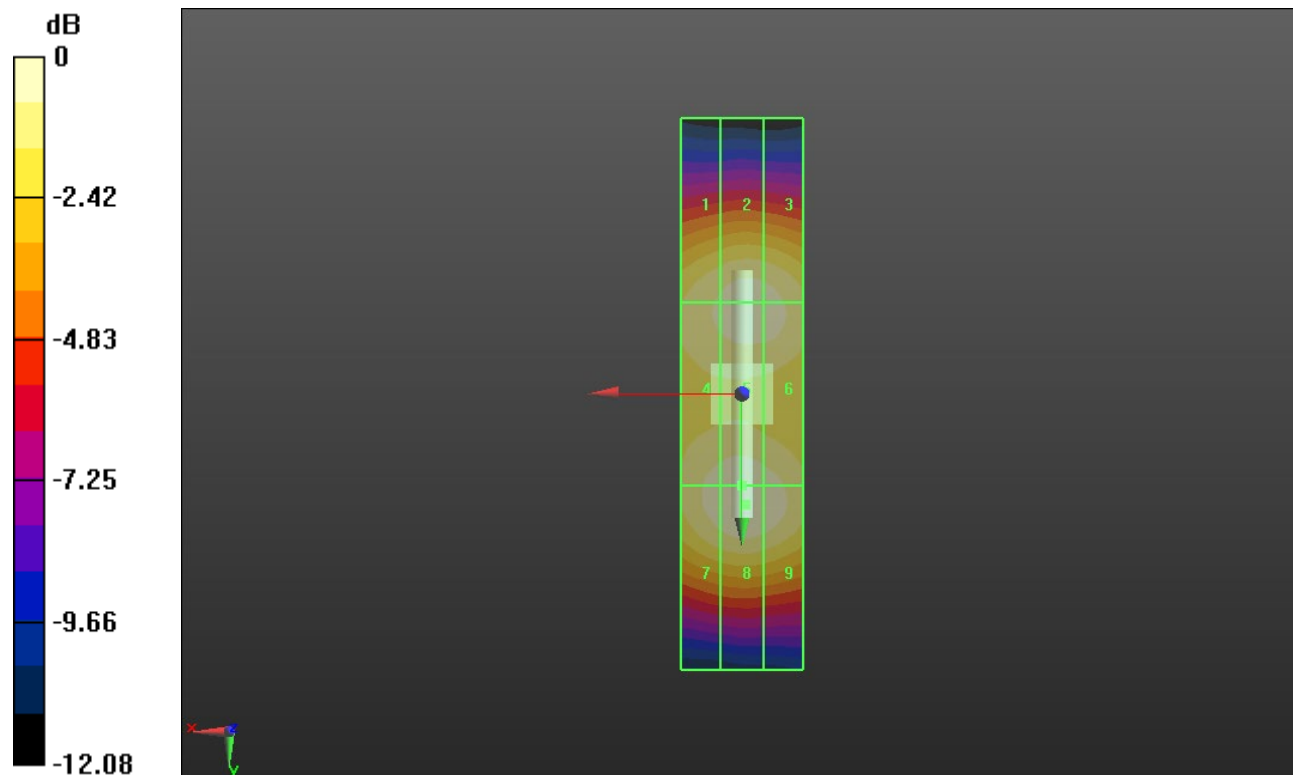
Applied MIF = 0.00 dB

RF audio interference level = 39.43 dBV/m

Emission category: **M2**

MIF scaled E-field

Grid 1 M2 38.74 dBV/m	Grid 2 M2 39.08 dBV/m	Grid 3 M2 39 dBV/m
Grid 4 M2 39.03 dBV/m	Grid 5 M2 39.3 dBV/m	Grid 6 M2 39.07 dBV/m
Grid 7 M2 39.1 dBV/m	Grid 8 M2 39.43 dBV/m	Grid 9 M2 39.23 dBV/m



0 dB = 93.63 V/m = 39.43 dBV/m

HAC-RF Emission System Check 2011

Communication System: UID 0, CW (0); Frequency: 5500 MHz; Duty Cycle: 1:1

Phantom section: RF Section

DASY5 Configuration:

- Probe: EF3DV3 - SN4028; ConvF(1, 1, 1) @ 5500 MHz; Calibrated: 9/22/2022

- Sensor-Surface: (Fix Surface)

- Electronics: DAE4 Sn1352; Calibrated: 11/18/2022

- Phantom: HAC Test Arch with AMCC; Type: SD HAC P01 BB

- Measurement SW: DASY52, Version 52.10 (4); SEMCAD X Version 14.6.14 (7495)

Dipole E-Field Measurement 5.5GHz/5.5GHz/Hearing Aid Compatibility Test at 15mm distance (41x181x1): Interpolated grid: dx=0.5000 mm, dy=0.5000 mm

Device Reference Point: 0, 0, -6.3 mm

Reference Value = 29.12 V/m; Power Drift = 0.10 dB

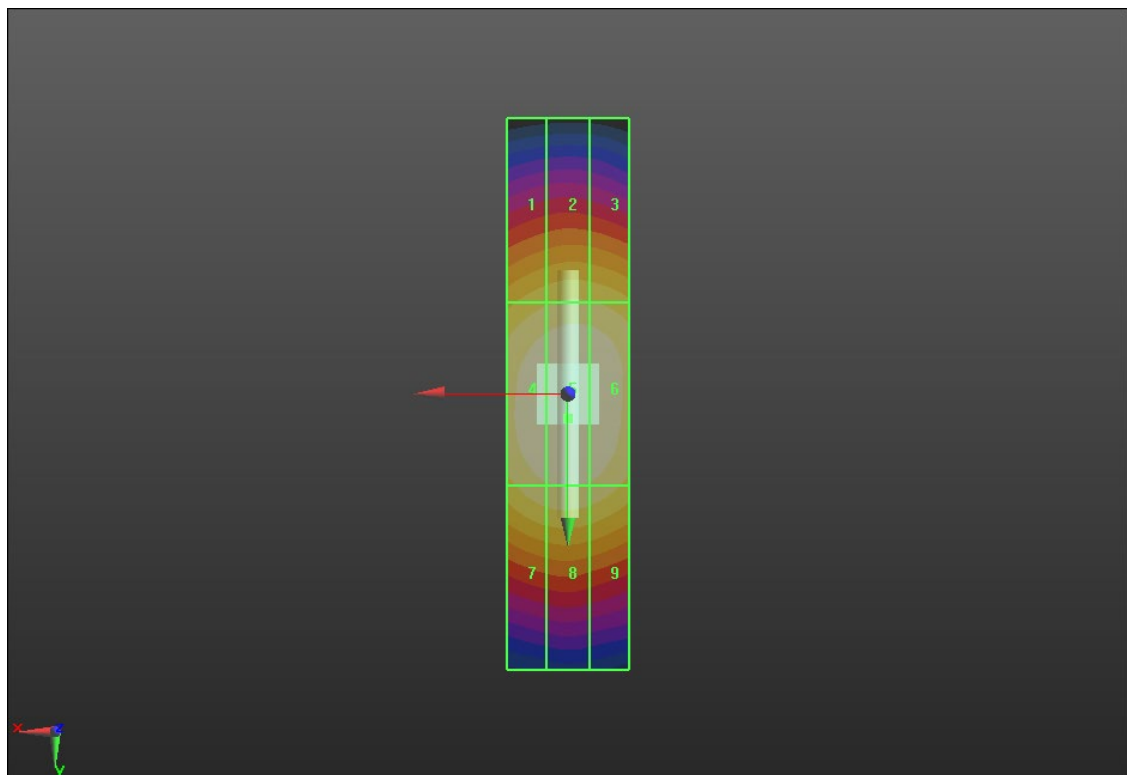
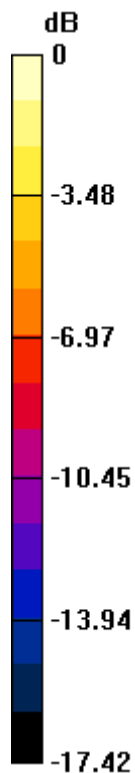
Applied MIF = 0.00 dB

RF audio interference level = 40.87 dBV/m

Emission category: **M1**

MIF scaled E-field

Grid 1 M2 38.37 dBV/m	Grid 2 M2 38.73 dBV/m	Grid 3 M2 38.65 dBV/m
Grid 4 M1 40.67 dBV/m	Grid 5 M1 40.87 dBV/m	Grid 6 M1 40.7 dBV/m
Grid 7 M2 39.58 dBV/m	Grid 8 M2 39.79 dBV/m	Grid 9 M2 39.56 dBV/m



0 dB = 110.6 V/m = 40.88 dBV/m