

6

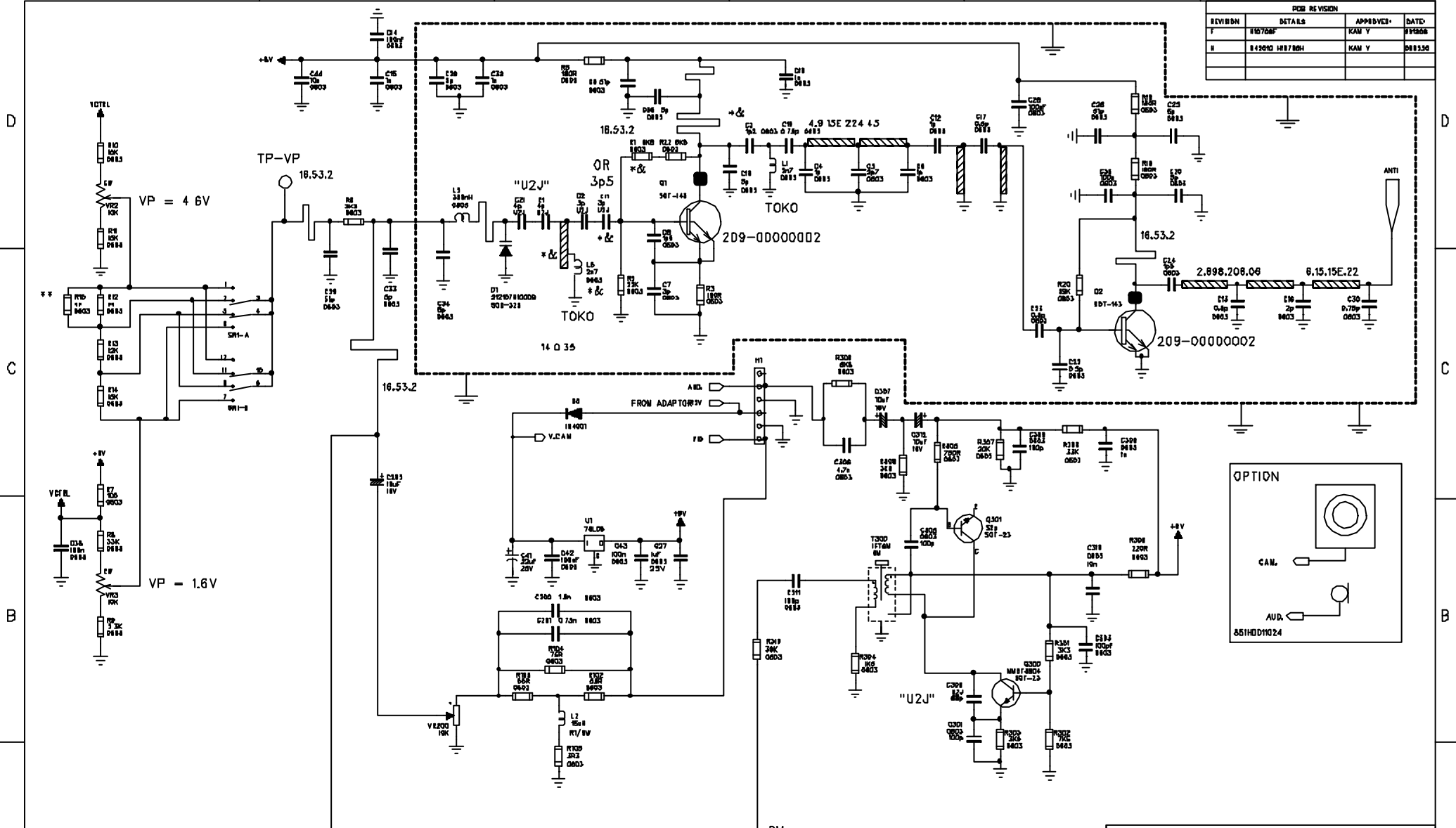
5

4

3

2

1

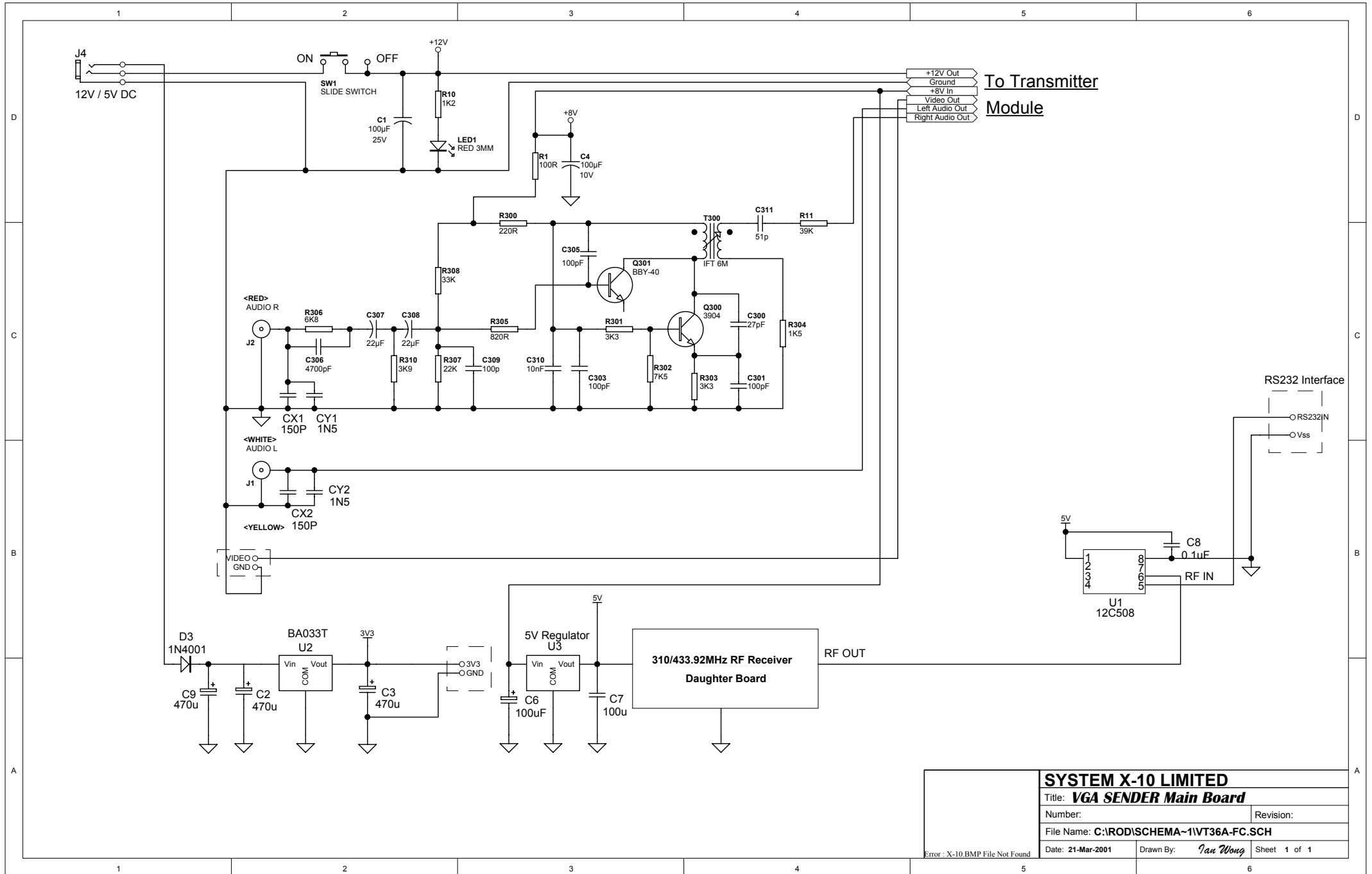


PCB REVISION			
REVISED	DETAILS	APPROVED	DATE
I	H0706F	KAM Y	01/2000
II	8430M H0788H	KAM Y	08/13/00

Remark. 1. "OC"= Open Circuit 2. All SMD Cap are COG Type (Unless Specified.)
 * & = TRIMMING VALUES

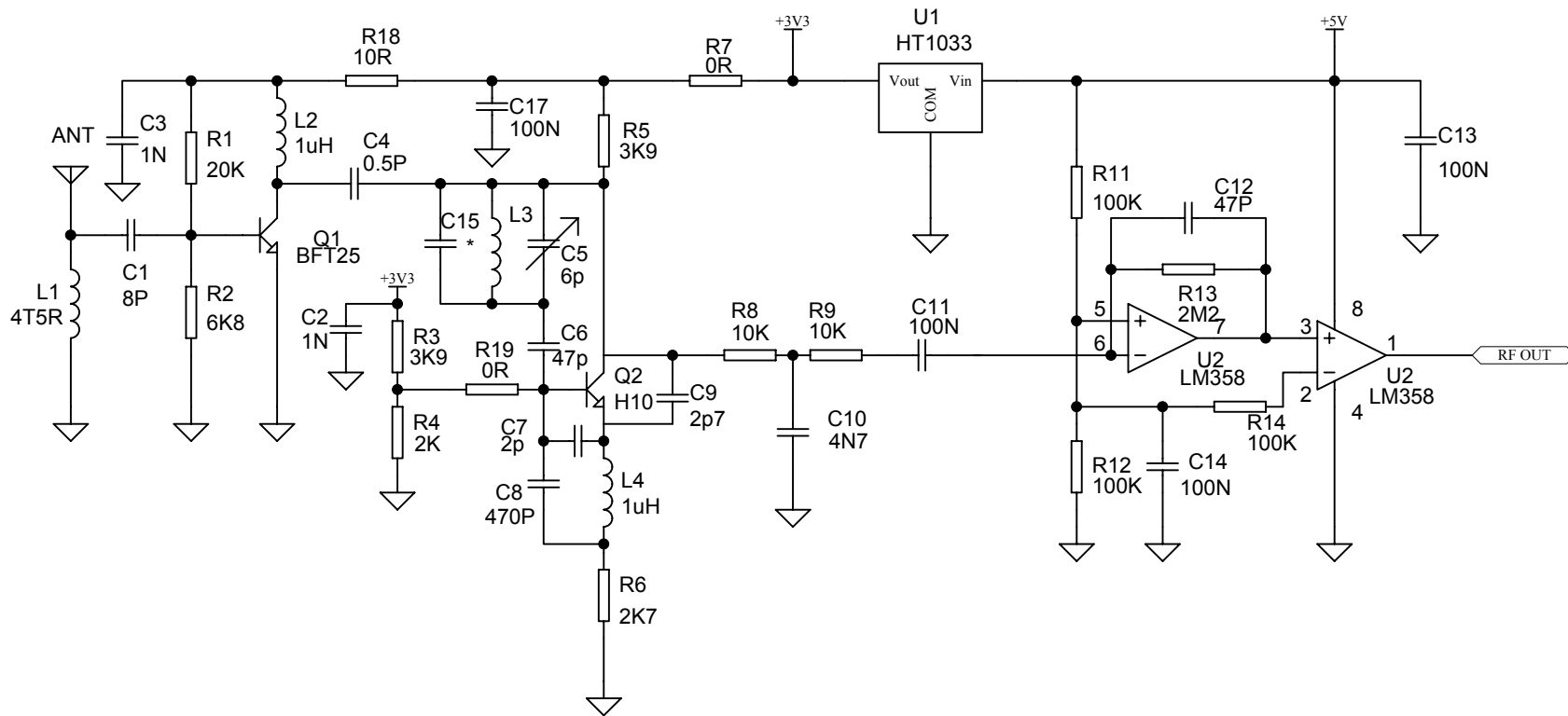
COMPANY		SYSTEM X-10 LIMITED			
TITLE		MOD			
DESIGN BY		KAM Y		DATE 991214	
DRAWN BY		KAM Y.		DATE 000530	
QUALITY CONTROL		DATE			
RELEASED		DATE			
DDK	SIZE	DRAWING NO.		REV	
90	A4	SCH.CAMTX1H2		03	
SCALE: NG		SHEET 1 OF 1			

ECN	C18-C5, C12-C17, C22-C23, C24	IMPVING BPF BY DUE TO PCB TRACK WIDTH ERROR	KAM/YAM	3000, JUNE 28
ECN	167 D62	FOR EYS APPROVAL	KAM	3000, MAY 30
ECN	DESCRIPTION			



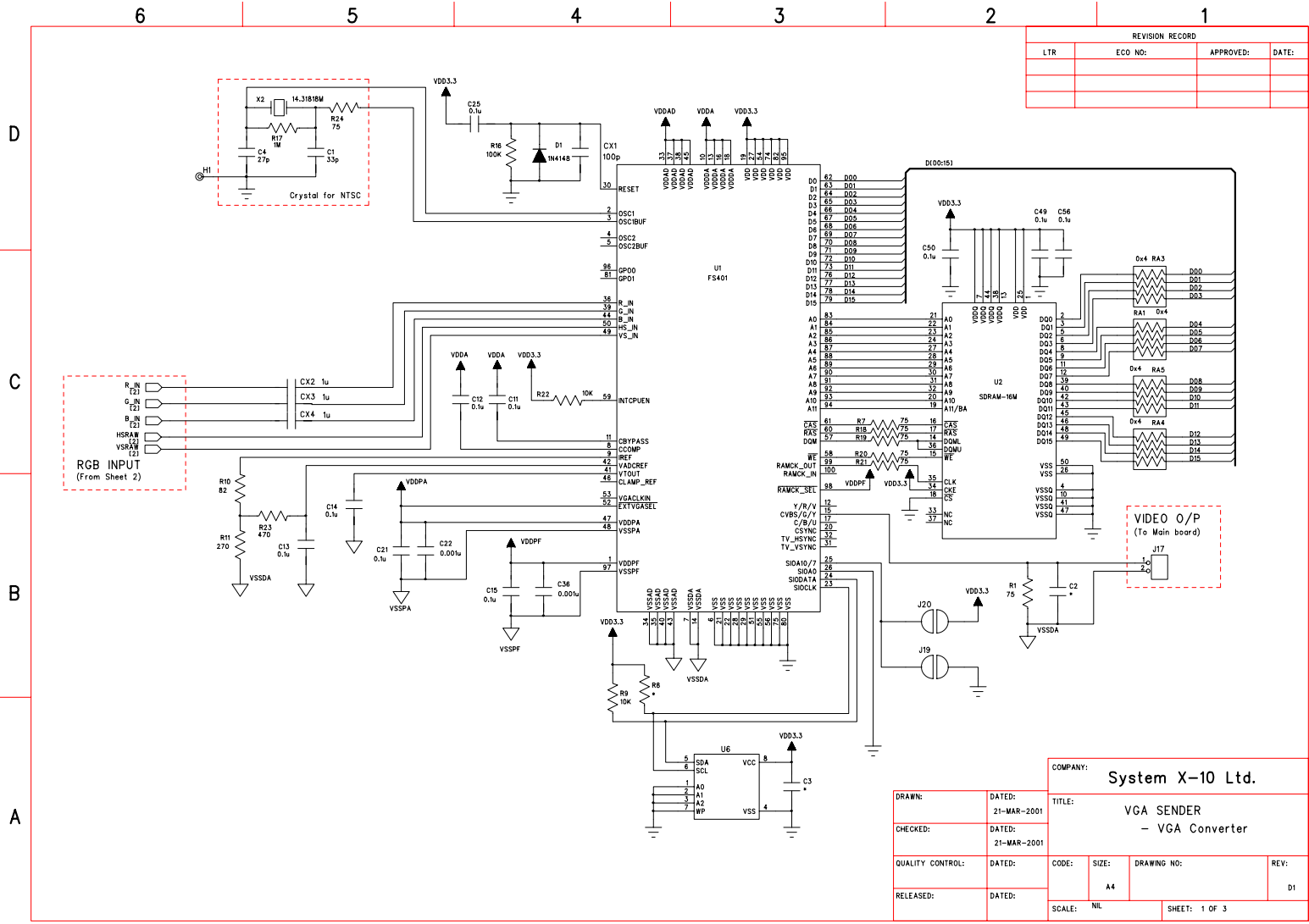
SYSTEM X-10 LIMITED	
Title: VGA SENDER Main Board	
Number:	Revision:
File Name: C:\I\ROD\SCHEMA-1\VT36A-FC.SCH	
Date: 21-Mar-2001	Drawn By: <i>Ian Wong</i>
Sheet 1 of 1	

Error: X-10.BMP File Not Found



Title		Protel Technology Inc.	
RF Board for TM15A			
Size: A4	Number: 851001H11233	Revision:	
File: C:\ROD\SCHEMA-1\RF310-1.SCH		Date: 21-Mar-2001	Time: 18:44:21
		Sheet 1	of 1

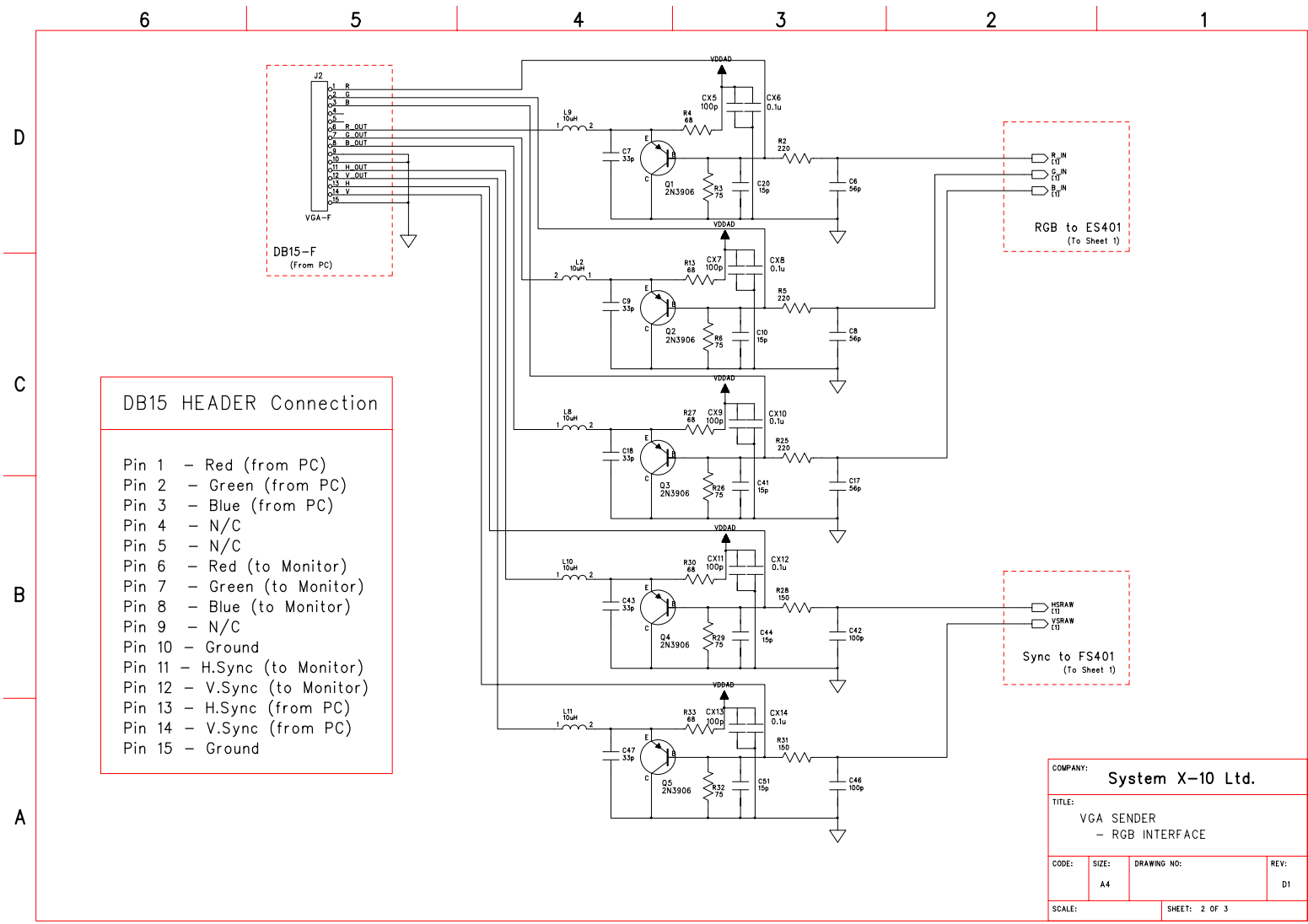




REVISION RECORD			
LTR	ECO NO:	APPROVED:	DATE:

COMPANY:		System X-10 Ltd.	
DRAWN:		21-MAR-2001	
CHECKED:		21-MAR-2001	
QUALITY CONTROL:		CODE:	SIZE: A4
RELEASED:		DATED:	DRAWING NO:
SCALE: NIL		SHEET: 1 OF 3	

TITLE:		VGA SENDER	
		- VGA Converter	
		REV:	D1



DB15 HEADER Connection

- Pin 1 - Red (from PC)
- Pin 2 - Green (from PC)
- Pin 3 - Blue (from PC)
- Pin 4 - N/C
- Pin 5 - N/C
- Pin 6 - Red (to Monitor)
- Pin 7 - Green (to Monitor)
- Pin 8 - Blue (to Monitor)
- Pin 9 - N/C
- Pin 10 - Ground
- Pin 11 - H.Sync (to Monitor)
- Pin 12 - V.Sync (to Monitor)
- Pin 13 - H.Sync (from PC)
- Pin 14 - V.Sync (from PC)
- Pin 15 - Ground

COMPANY:				System X-10 Ltd.	
TITLE:					
VGA SENDER - RGB INTERFACE					
CODE:	SIZE:	DRAWING NO.:		REV.:	
	A4			D1	
SCALE:			SHEET: 2 OF 3		

6

5

4

3

2

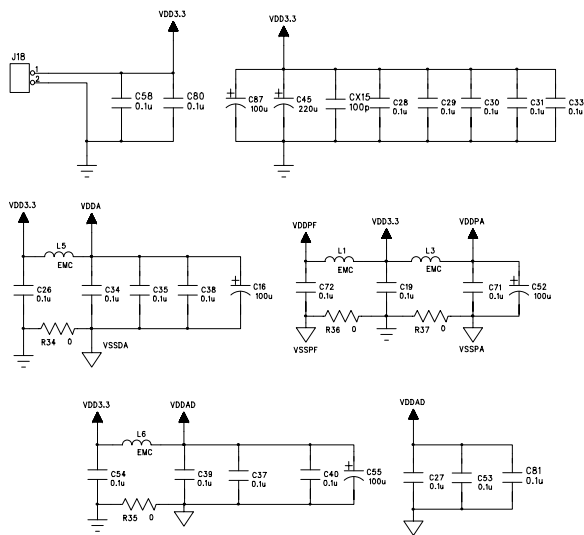
1

D

C

B

A



COMPANY: System X-10 Ltd.			
TITLE: VGA SENDER - Power			
CODE:	SIZE: A4	DRAWING NO:	REV: D1
SCALE:		SHEET: 3 OF 3	