

6

5

4

3

2

1

D

D

C

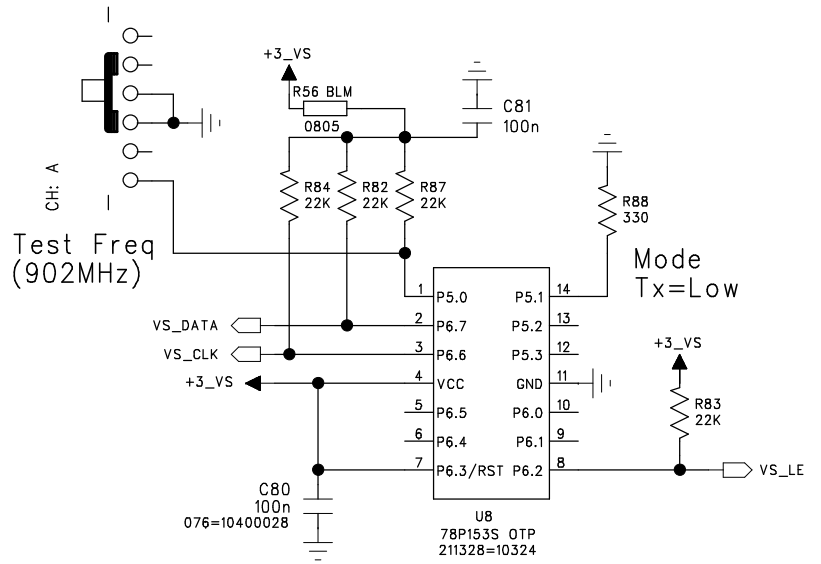
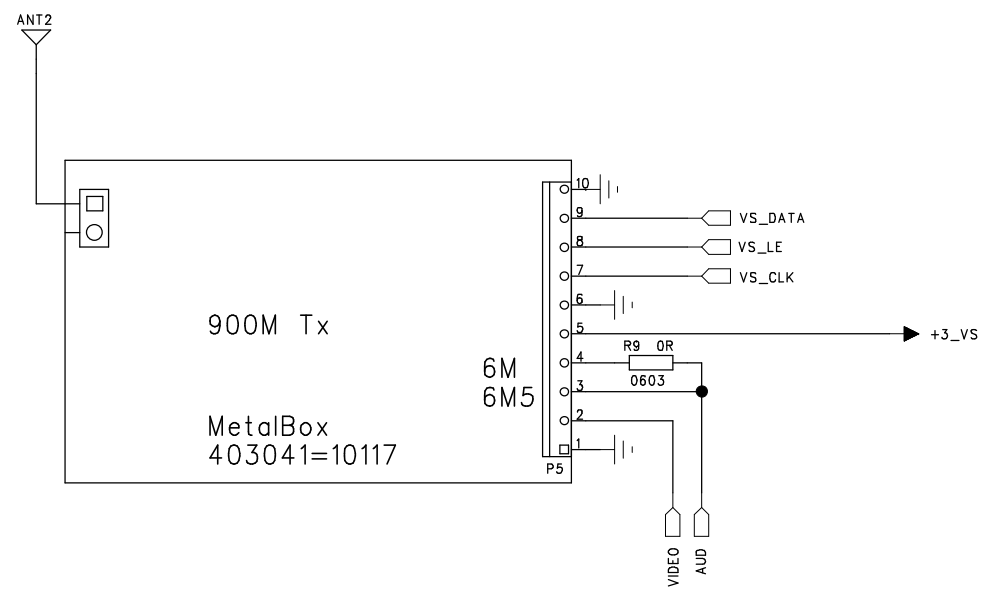
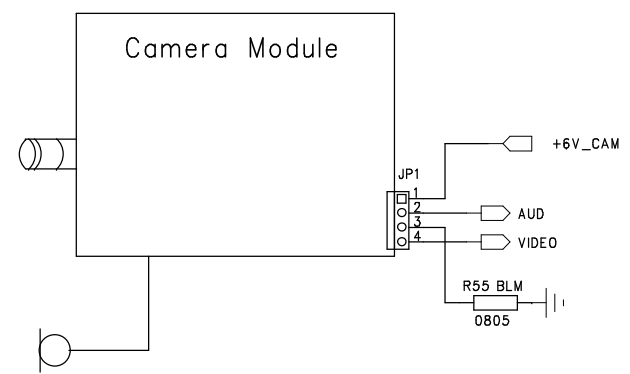
C

B

B

A

A

COMPANY				SYSTEM X10 LTD			
TITLE				900MTx+Main			
MODEL				900MTx+Main			
DRAWN:		DATED:		CODE:		DRAWING NO:	
Kam		110202				SCH.12586	
CHECKED:		DATED:		SIZE:		REV:	
Kam		110413				-4	
QUALITY CONTROL:		DATED:					
RELEASED:		DATED:					
SCALE:						SHEET: 1 OF 2	

6

5

4

3

2

1

D

D

C

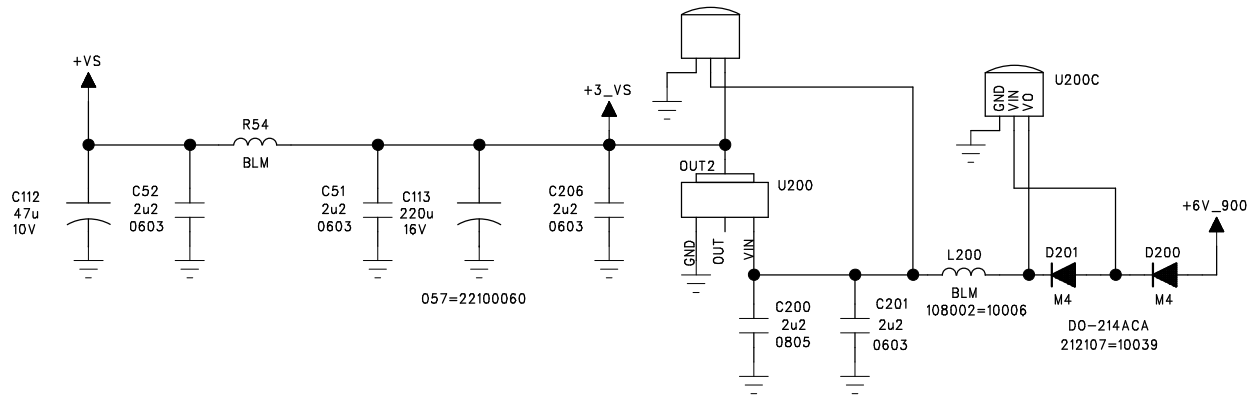
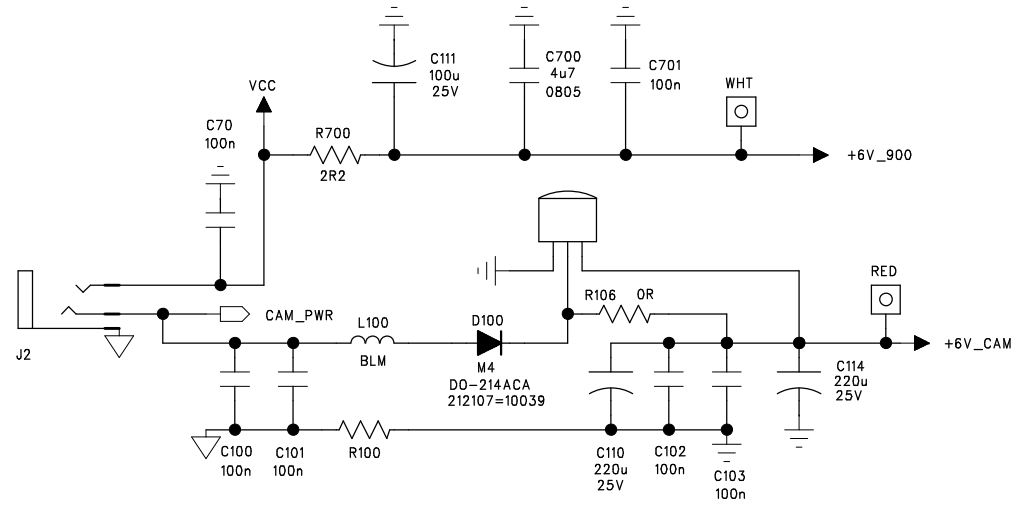
C

B

B

A

A

COMPANY: SYSTEM X10 LTD			
TITLE: 900MTx+Main Power			
CODE:	SIZE:	DRAWING NO: <b>SCH.12586</b>	REV: <b>-4</b>
SCALE:			SHEET: 2 OF 2

DRAWN: Kam	DATED: 110202
CHECKED: Kam	DATED: 110413
QUALITY CONTROL:	DATED:
RELEASED:	DATED: