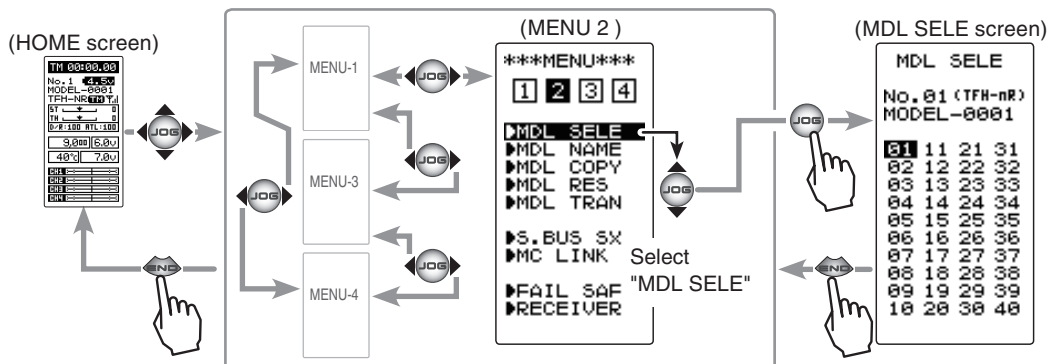


# Model Selcct "MDL SELE"

Forty model data (data for 40 R/C cars) can be saved in the T4PM transmitter. This menu selects the model and copies data between models.

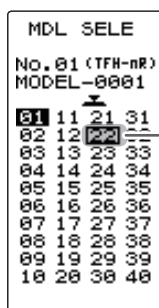
Display "MDL SELE" screen using the following method:



## Using the model select function

### 1 (Model #. selection)

Select the model number by moving the (JOG) button up/down or left/right. "01" ~ "40" are displayed.



Model #.

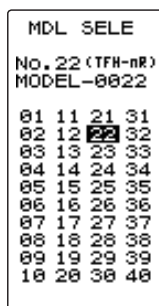
01~40

Move the cursor to select model # with the (JOG) button.

### 2 (Model select execution)

Press the (JOG) button for approximately 1 second. A beeping sound is generated and the model is selected.

- Model change is complete when the model number and model name on the screen change.

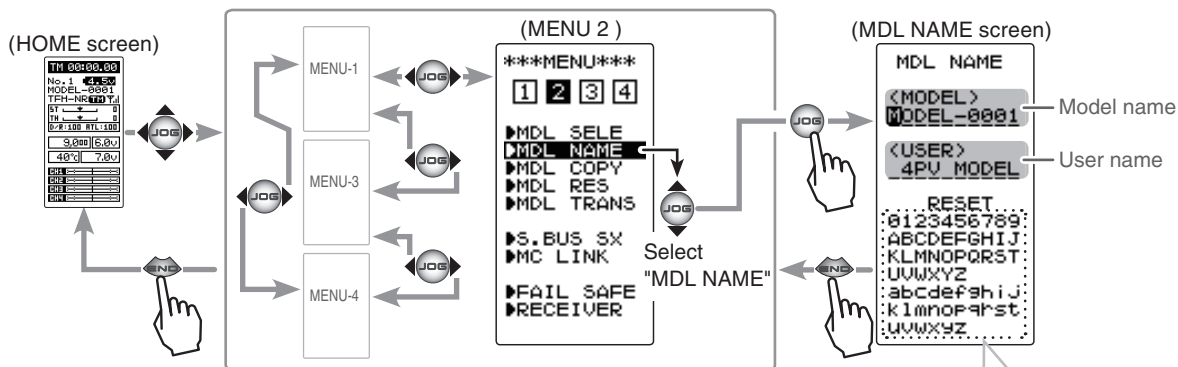


### 3 When finished with setting, return to the MENU screen by pressing the (END) button.

# Model Name "MDL NAME"

This function allows you to assign a ten character name to each model memory and user name.

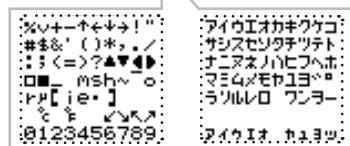
Display "MDL NAME" screen using the following method:



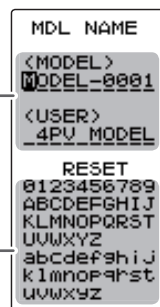
## Setting the model name and user name

- (Move the cursor to the character you want to change.)  
Select the model name or user name character you want to set or change by moving the cursor by the (+) or (-) button. The selected character blinks.

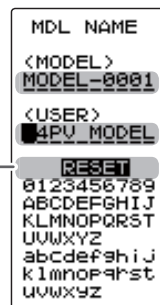
When (JOG) button left or right operation is performed from both the left and right ends of the character list, the page (all 3 pages) is changed and the character set is selected.  
(KATAKANA of the 3rd page is displayed when "KANJI" is set by the "SYSTEM" function "MENU".)



Move the cursor to the character you want to change by (+) or (-) button.



Select the character by (JOG) button.



Move the cursor to "RESET" by the (JOG) button up or down operation.

- (Selecting the character to be used)  
Move the (JOG) button up, down, left or right to select the character you want to use from the list at the bottom of the screen. The selected character blinks. Now, press the (JOG) button. The character is entered and the model name or user name character. The cursor will automatically move to the right for the next characters.

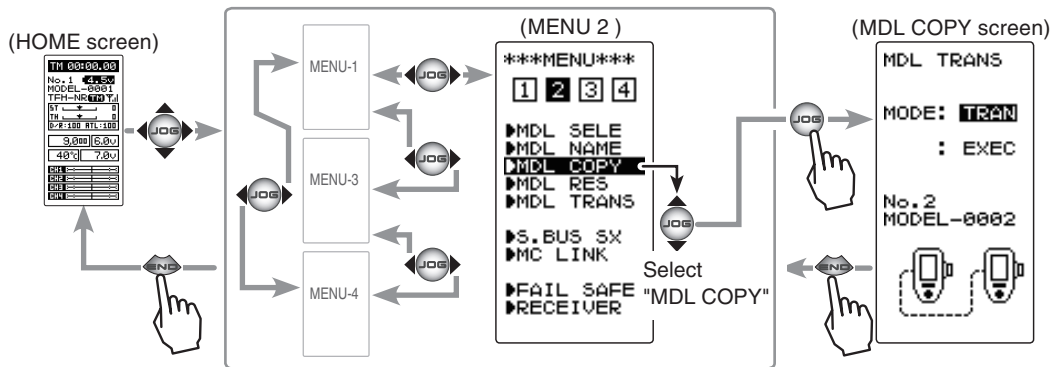
Use the (JOG) button also to move the cursor to "RESET". Press the button approximately 1 second. You'll hear a beeping sound, which indicates that the model name has been initialized into the factory settings. A beeping sound is generated and the model name is initialized to the factory setting.

- When finished with setting, return to the MODEL screen by pressing the (END) button.

# Model Copy "MDL COPY"

The contents of the currently selected model data can be copied to another model.

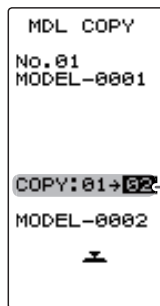
Display "MDL COPY" screen using the following method:



## Using the model copy function

### 1 (Model #. selection)

Select the copy destination model number with the (+) or (-) button. "01" ~ "40" are displayed.

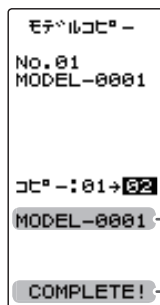


Model #.  
01~40

— The copy destination model # with the (+) or (-) button.

### 2 (Model copy execution)

Press the (JOG) button for approximately 1 second. A beeping sound is generated and the model is selected.



— Model name is also copied.

— "COMPLETE!" is displayed.

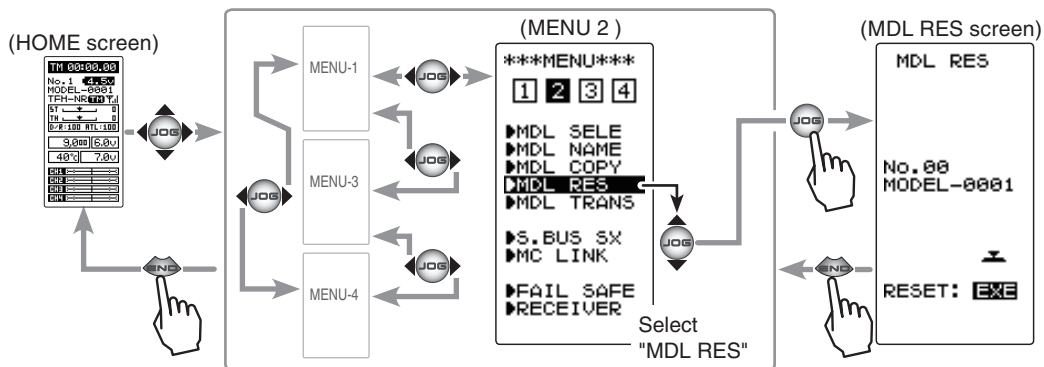
-Copying is complete when "COMPLETE!" is displayed on the screen.

### 3 When finished with setting, return to the MENU screen by pressing the (END) button.

# Model Reset "RES"

This function resets and initializes the contents of the currently selected model data. However, the adjuster function (ADJUSTER), system setting (SYSTEM), and type of receiver system (RECEIVER) are not initialized.

Display "MDL RES" screen using the following method:

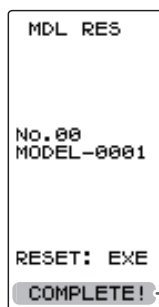
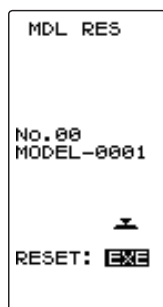


## Using the model reset function

### 1 (Model reset execution)

Press the (JOG) button for approximately 1 second. A beeping sound is generated and the model is selected.

-Resetting is complete when "COMPLETE!" is displayed on the screen.



"COMPLETE!" is displayed.

### 2 When finished with setting, return to the MENU screen by pressing the (END) button.

The set receiver system and T-FHSS receiver ID remain even if the model is reset. The same receiver can be used as is without re-linking.

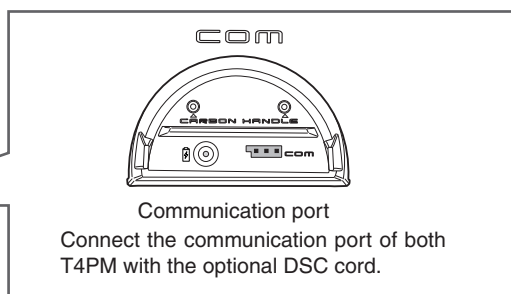
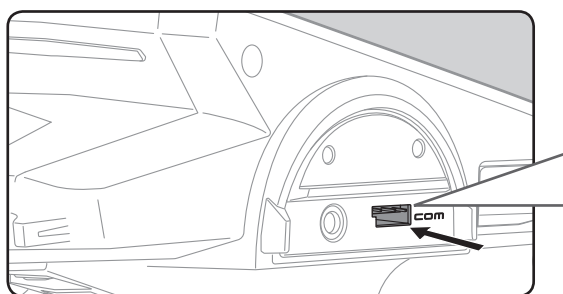
# Data Transfer "MDL TRANS"

This function copies the model memory data of one T4PM to another T4PM. Connect the communication port of both T4PMs with the optional DSC cable (For updating transmitter with CIU-3).

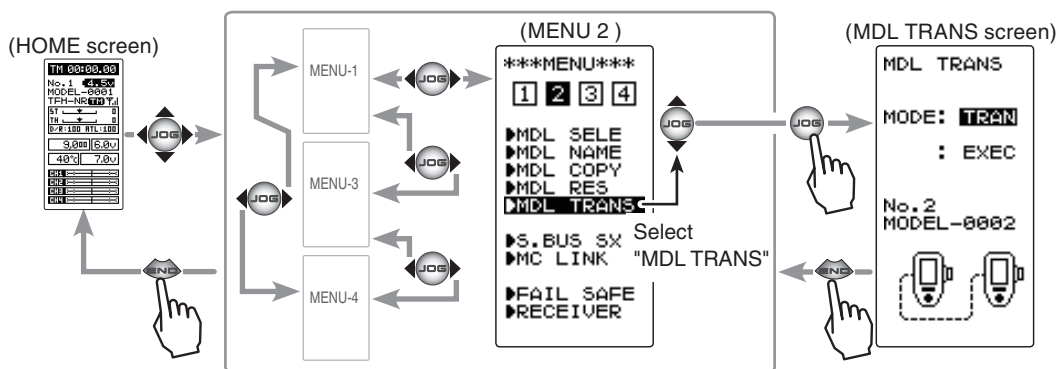
**Note:** If the T4PM battery voltage drops, the display switches to low battery display. Therefore, use this function when there is ample battery capacity remaining.

**Note:** Since the receiving side writes the new contents of the currently selected model memory, always check the model number before executing this function.

Data is not interchangeable with another type of transmitter.



Display to "MDL TRANS" screen using the following method:

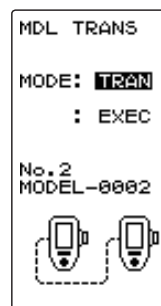


## Using the Data Transfer function

(Preparation)

- Connect the communication port of both transmitters with the optional DSC cord.
- Turn on the power of both T4PMs. Select the model number of the transfer side and the receiving side with the model select function (page 59).

**1** Display the data transfer function screen in the above manner.

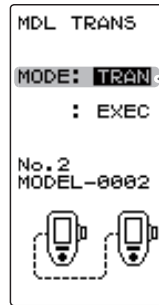


## 2 (Select the setting item )

Select "MODE" by moving the (JOG) button up or down, and select the transfer side and receiving side using the (+) or (-) button.

"TRAN": Data transfer side.

"RCV": Data receiving side.



**Mode selection**

"TRANSFER" "RECEIVE"

**Setup item selection**

- Select by (JOG) button up or down operation.

**Mode change button**

- Use the (+) and (-) buttons to make adjustments.

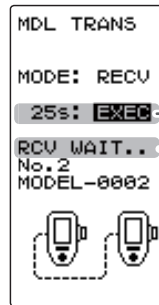
## 3 (Data transfer execution)

Select the setting item "EXEC" by moving the (JOG) button up or down on both transmitters.

First, press the receiving side "RCV" transmitter (JOG) button. The message "RCV WAIT.." appears and countdown begins.

Within 30 seconds, press the transfer side "TRANS" transmitter (JOG) button. (If data transfer is not executed within 30 seconds, an error will be displayed at the receiving side "RCV" transmitter.)

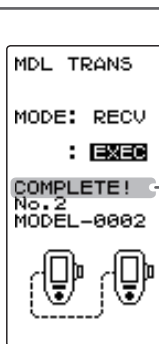
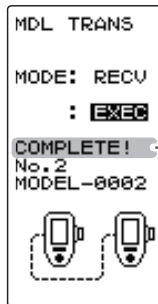
- "COMPLETE!" is displayed on the screen of the receiving side "RCV" transmitter and data transfer is ends.



**Transfer execution button**

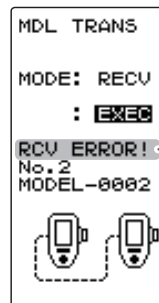
- (JOG) button pressed.

\*30 seconds wait is displayed on the receive side screen.



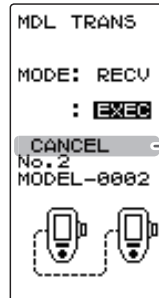
"COMPLETE!" is displayed.

-If "RCV ERROR!" is displayed on the screen of the receiving side "RECEIVE" transmitter, data transfer was not performed normally. Check the connection and repeat steps 1→3. Since the transfer side "TRANS" transmitter only sends, "COMPLETE!" is displayed even when data transfer was not performed normally.



"RCV ERROR!" is displayed.

Data transfer can also be canceled before the end of transfer by operating the (JOG) button at a T4PM that is waiting to receive data.



"CANCEL" is displayed.

## 4 When finished with setting, return to the MENU screen by pressing the (END) button.

## Fail-safe Mode (F/S)

This function moves each servo to a preset position when the receiver cannot receive the signals from the transmitter for some reason.

-The fail-safe data is transferred from the transmitter to the receiver 10 seconds after the transmitter power was turned on. The data is transferred every 5 seconds after that. Be careful because normally the transmitter power is turned on first and the receiver power is turned on next and the data is transferred for approximately 10 seconds after the receiver power is turned on.

-For gas power cars, for safety we recommend that this fail-safe function be used to set the throttle channel in the direction in which the brakes are applied.

## Hold mode (HOLD)

This function holds the receiver in its position immediately before reception was lost.

## Off mode (OFF)

This function stops output of signals to the servos and places the servos into the free state when the receiver cannot receive.

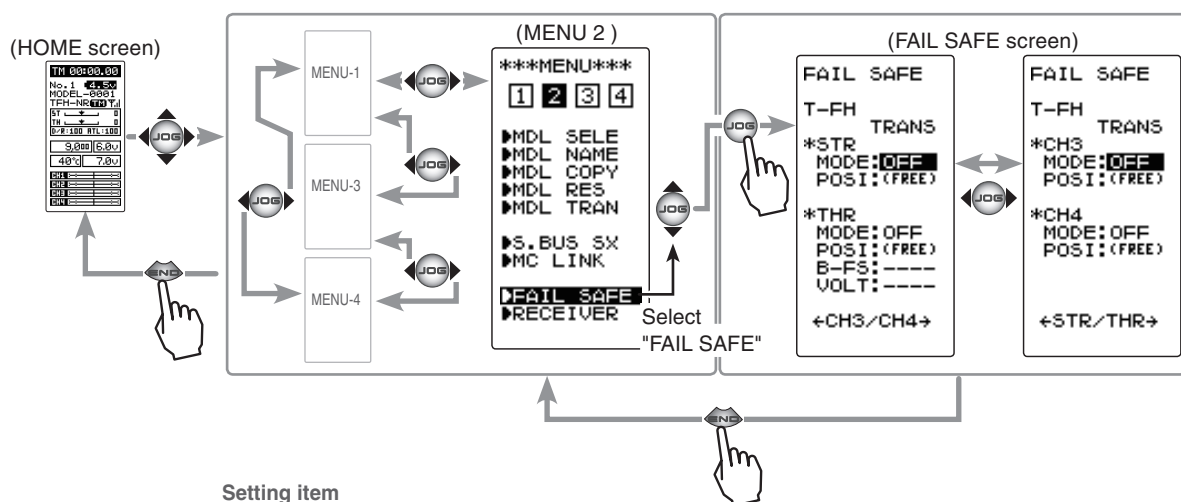
\*The F/S, HOLD, and OFF modes are automatically reset when signals from the transmitter can be received again.

## Battery fail-safe function (B-FS)

If the receiver battery voltage drops below a certain value when this function is enabled, the throttle servo moves to the position set by fail-safe function. When the battery voltage recovers, the battery fail-safe function is automatically reset.

-This function cannot be used when the throttle (TH) is not set to fail-safe (F/S).

Display to "FAIL SAFE" screen using the following method:



### Setting item

- MODE: F/S mode selection
- POSI: F/S position set
- B-FS: B-FS set (throttle only)
- VOLT: B-FS voltage set (throttle only)

## Fail-safe mode selection

(Preparation)

- Select the channels "MODE" to be set by moving the (JOG) button up, down, left or right.

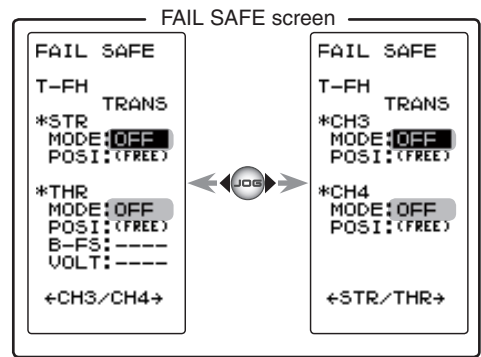
### 1 (Mode selection)

Select the mode by (+) or (-) button.

(Each channel can be individually set.)

### 2 When finished with setting, return to the MENU screen by pressing the (END) button.

When setting fail-safe, set the servo position by the following method.



#### F/S mode

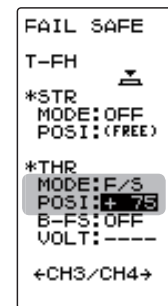
OFF, HOLD, F/S

#### F/S mode selection

- Select with the (+) or (-) buttons.

#### F/S position setup button

- The (JOG) button is pressed for approximately 1 second.



## Fail-safe function setup

### 1 (Servo position setup)

When the fail-safe function operates, select the setting item "POSI" by moving the (JOG) button up or down. The steering wheel, the throttle trigger or 3rd, 4th channel dial remains in the desired operation position. When the (JOG) button is pressed for approximately 1 second, the servo position is displayed and you can confirm that the function was set.

(Each channel can be set similar.)

### 2 When finished with setting, return to the MENU screen by pressing the (END) button.

## Battery fail-safe function ON/OFF

(Preparation)

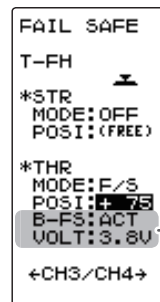
- Select the setting item by moving the (JOG) button up or down. For Battery F/S function select "OFF" or "ACT" of "B-FS".

For voltage setting, select VOLT. (This applies to the T-FHSS system only.)

The S-FHSS system is fixed at 3.8v.

### 1 (Battery fail-safe function ACT/OFF)

The battery fail-safe function ACT/OFF and voltage setting which activates the B-FS function can be switched by (+) or (-) button.



#### Battery fail-safe function

OFF, ACT  
Initial value: OFF

#### Select button

- Select with the (+) or (-) buttons.

#### B-F/S Voltage

3.8, 4.0, 4.2, 4.4, 4.6, 4.8, 5.0, 5.3, 5.6, 5.9, 6.2, 6.5, 6.8, 7.1, 7.4(V)  
Initial value 3.8v

#### Select button

- Select with the (+) or (-) buttons.

Example:

Ni-MH /Ni-Cd 4cell---3.8V  
Ni-MH /Ni-Cd 6cell---4.4V  
LiFe 2cell---4.8V  
Li-Po 2cell---5.6V

### 2 When finished with setting, return to the MENU screen by pressing the (END) button.

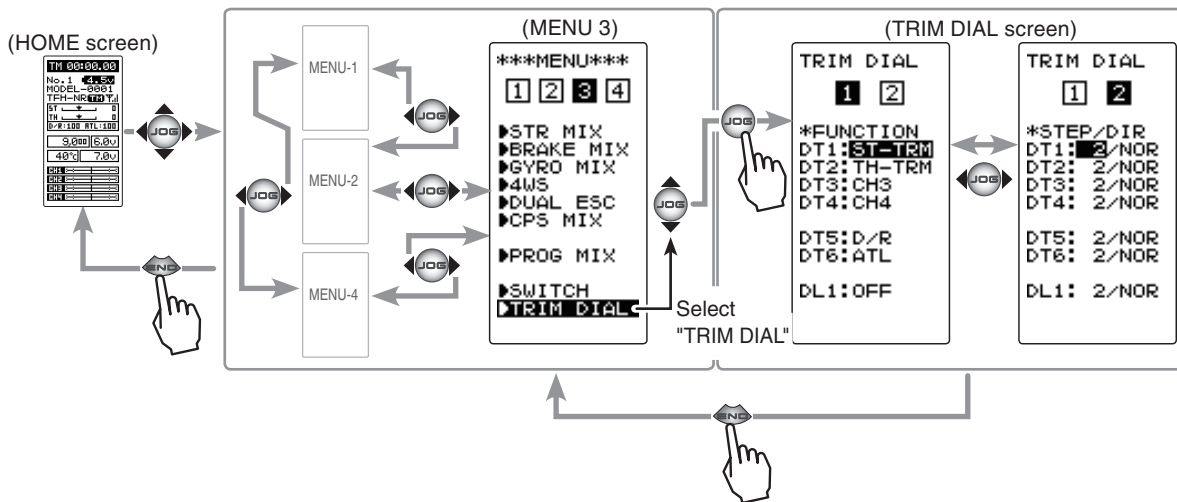


# Select TRIM Dial Function "TRIM DIAL"

Selection of the function to be performed by trims and dial (DT1, DT2, DT3, DT4, DT5, DL1).

- The functions that can be assigned to dial and digital trim are listed on the next page.
- The dial and digital trim step amount can be adjusted (The relationship between set value and step amount is shown in the table on the next page).
- The operation direction can be reversed (NOR/REV).

Display "TRIM DIAL" screen using the following method:



## Function select trim/dial setting

### 1 (Setting trim/dial selection)

Select the trim or dial you want to set by moving the (JOG) button up or down.

### 2 (Function setting)

Select the function with the (+) or (-) button.

- Refer to the list on the next page for the abbreviations of the functions.

#### (Step amount setting)

Select the step amount you want to set by moving the (JOG) button up or down. Use the (+) or (-) button to set the step amount.

- Refer to the next page for the relationship between set value and step amount.

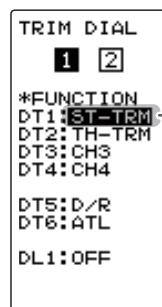
#### (Changing the direction of operation)

Select the direction of operation you want to set by moving the (JOG) button up or down. Use the (+) or (-) button to trim/dial the direction.

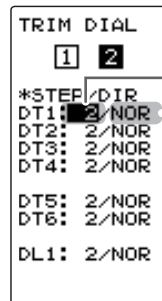
### 3 When finished with setting, return to the MENU screen by pressing the (END) button.

#### Adjustment buttons

- Use the (+) and (-) buttons to make adjustments.
- Return to the initial value by pressing the (+) and (-) buttons simultaneously (approx. 1 sec).

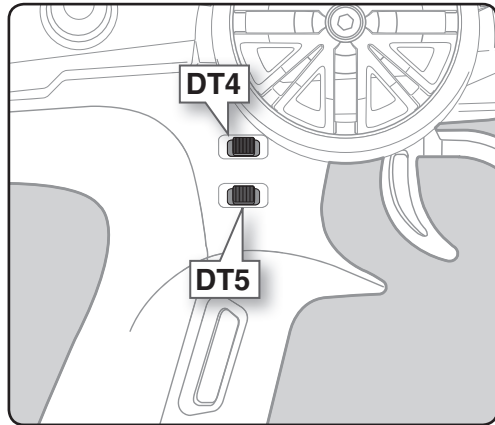
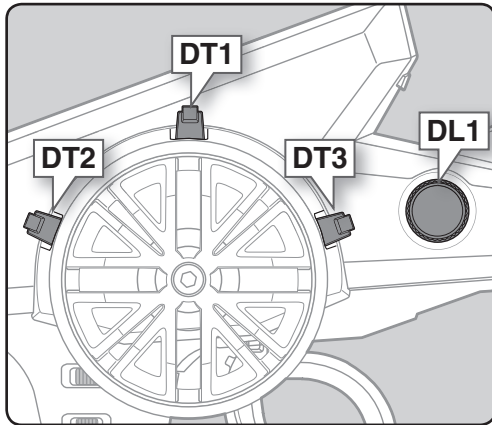


\*Function selection



\*Step amount setting

\*Direction of operation setting



### Set table functions (DL1, DT1/DT2/DT3/DT4/DT5)

Abbreviation used on setup screen	Function name, etc
D/R	Dual rate function
ATL	ATL function
EXP-ST	Steering EXP
EXP-FW	Throttle EXP (Forward side)
EXP-BK	Throttle EXP (Brake side)
SPD-TN	Steering speed (Turn side)
SPD-RN	Steering speed (Return side)
ABS.PS	A.B.S. function (Return amount)
ABS.DL	A.B.S. function (Delay)
CYCLE	A.B.S. function (cycle speed)
ACC-FW	Throttle acceleration (Forward side)
ACC-BK	Throttle acceleration (Brake side)
TH-SPD	Throttle speed
ST-TRM	Steering trim
TH-TRM	Throttle trim
CH3	Channel 3
CH4	Channel 4
SUBTR1	Sub trim (CH1)
SUBTR2	Sub trim (CH2)
SUBTR3	Sub trim (CH3)
SUBTR4	Sub trim (CH4)
IDLE	Idle up function
ESC-RT	Dual ESC mixing (4ch ESC rate)
TH-OFF	Throttle off (engine cut)
PMX-A	Program mixing (RGHT/BRAK/DOWN sides)
PMX-B	Program mixing (LEFT/FWRD/UP sides)
BK3-RT	Brake mixing (3ch brake rate)
BK4-RT	Brake mixing (4th brake rate)
4WS-RT	4WS mixing (3ch steering rate)
ESC-MD	Dual ESC mixing (Drive mode select)
GYRO	Gyro mixing (Gain rate)
ACKMAN	Ackermann mixing (ackermann rate)
OFF	Not used

### Relationship between set value and step amount

(Setting range: 1~10, 20, 30, 40, 50, 100, 2P)

-Steering trim/throttle trim

When set to the minimum "1", the total trim operating width is 200 clicks. For "100", the total operating width is 2 clicks and for 2P, the total operating width is 1 click.

-Rate, etc. setting

This is the % value which is operated by 1 click relative to the set value of each rate. Since the total operating width of functions having a rate of -100~0~+100 is 200%, when set to "100", the total operating width is 2 clicks. Since the total operating width of functions with a 0~100 rate is 100%, "100" and 2P are operated by 1 click.

-Channel 3/4

When set to the minimum "1", the total operating width of channel 3 is 200 clicks. For "100", the total operating width is 2 clicks and 2P is operated by 1 click.

# Select Switch Function "SWITCH"

Selection of the function to be performed by the switches (SW1, SW2).

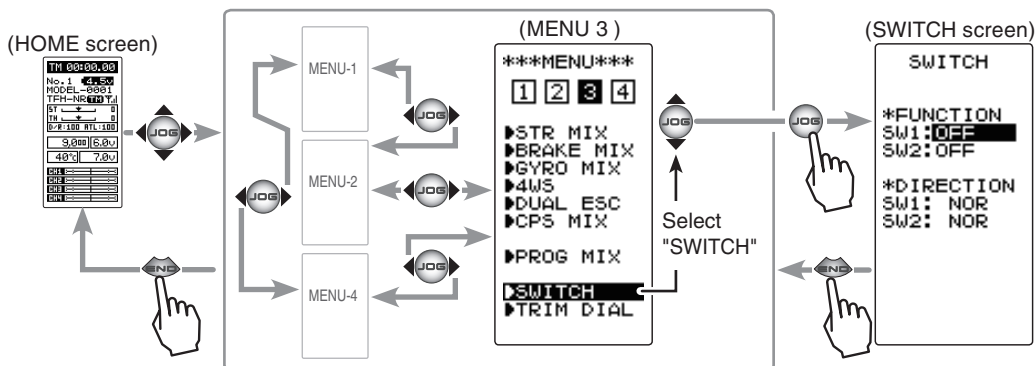
- SW2 alternate operation (operation which switches between ON and OFF each time the switch is pressed) is possible.

NOR (Normal) -ON only while pressed, OFF when released.

ALT (Alternate) -Switched between ON and OFF each time pressed.

- SW1 ON/OFF direction can be reversed (NOR/REV).

Display "SWITCH" screen using the following method:



## Function select switch setting

### 1 (Setting switch selection)

Select the switch you want to set by moving the (JOG) button up or down.

### 2 (Function setting)

Select the function with the (+) or (-) button.

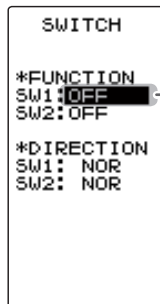
- Refer to the list on the next page for the abbreviations of the functions.

(Changing the SW1 operation direction)

Select "DIRECTION" of "SW1" by moving the (JOG) button up or down. Select REV or NOR with the (+) or (-) button.

(Changing the SW2 operation system)

Select "DIRECTION" of "SW2" by moving the (JOG) button up or down. Select ALT or NOR with the (+) or (-) button.



\*Function selection

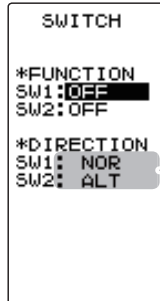
Select button

- Select with the (+) or (-) buttons.

Adjustment buttons

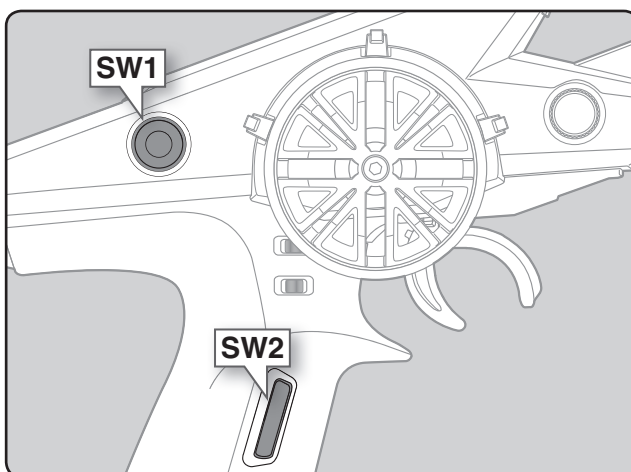
- Use the (+) and (-) buttons to make adjustments.

- Return to the initial value by pressing the (+) and (-) buttons simultaneously (approx. 1 sec).



SW1 ON/OFF direction  
SW2 alternate operation

### 3 When finished with setting, return to the MENU screen by pressing the (END) button.



Set table functions (SW1)	
Abbreviation used on setup screen	Function name, etc
NT-BRK	Neutral brake function ON/OFF
ABS	A.B.S function ON/OFF
IDLE	Idle up function ON/OFF
PRGMIX	Program mixing function ON/OFF
TH-OFF	Throttle off (engine cut) function ON/OFF
CH3	Channel 3
CH4	Channel 4
GYRO	Switching GYRO mode
OFF	Not used

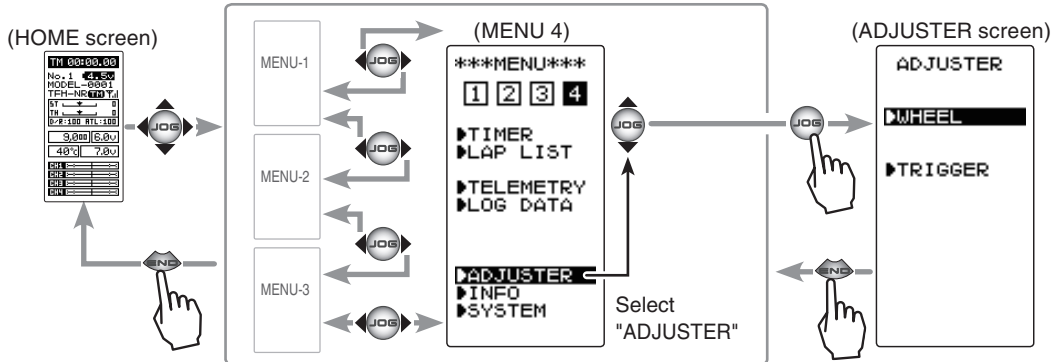
Set table functions (SW2)	
Abbreviation used on setup screen	Function name, etc
NT-BRK	Neutral brake function ON/OFF
ABS	A.B.S function ON/OFF
IDLE	Idle up function ON/OFF
PRGMIX	Program mixing function ON/OFF
TH-OFF	Throttle off (engine cut) function ON/OFF
CH3	Channel 3
CH4	Channel 4
GYRO	Switching GYRO mode
4WS	4WS mixing type select
TIMER	Timer function start/stop
LOGGER	Telemetry log start/stop
OFF	Not used

# Adjuster "ADJUSTER"

Steering wheel and throttle trigger neutral position and servo operating angle correction can be applied. This is used when a mechanical offset has occurred for some reason.

\*However, when correction is made, the set value of all the setting functions must be rechecked.

Display the "ADJUSTER" screen using the following method:.



## Steering adjustment

(Preparation)

On the ADJUSTER screen, select the setting item "WHEEL" by moving the (JOG) button up or down, and press the (JOG) button.

### 1 (Steering neutral adjustment)

In the neutral setup screen (fig-1) state, lightly pull the steering wheel and then press the (JOG) button without touching the wheel.

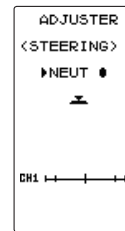


fig-1

### 2 (Steering throw adjustment)

In the throw setup screen state (fig-2), lightly turn the wheel fully to the left or right and when button mark (fig-3) is displayed, press the (JOG) button.

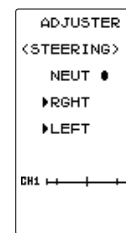


fig-2

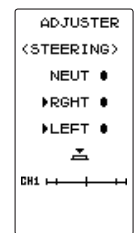


fig-3

Internal check is performed automatically. When each adjustment point is within a fixed range, correction is performed and "COMPLETE" (fig-4) is displayed.

If an adjustment point is not within a fixed range, correction is not performed and the correction data is not updated.

When button mark is not displayed even though correction was performed again, please contact a Futaba Radio Control Customer Center.

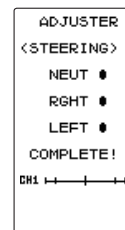


fig-4

### 3 When finished with setting, return to the ADJUSTER screen by pressing the (END) button.

## Throttle adjustment

(Preparation)

On the ADJUSTER screen, select the setting item "THROTTLE" by moving the (JOG) button up or down, and press the (JOG) button.

### 1 (Throttle neutral adjustment)

In the neutral setup screen (fig-1) state, lightly pull the throttle trigger and then press the (JOG) button in without touching the trigger.

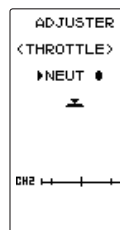


fig-1

### 2 (Throttle throw adjustment)

In the throw setup screen state (fig-2), lightly operate the trigger fully to the brake side and the forward side and when button mark (fig-3) is displayed, press the (JOG) button.

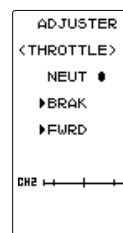


fig-2

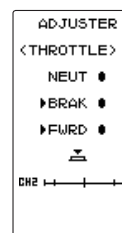


fig-3

Internal check is performed automatically. When each adjustment point is within a fixed range, correction is performed and "COMPLETE!" (fig-4) is displayed.

If an adjustment point is not within a fixed range, correction is not performed and the correction data is not updated.

When button mark is not displayed even though correction was performed again, please contact a Futaba Radio Control Customer Center.

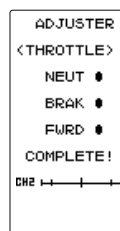


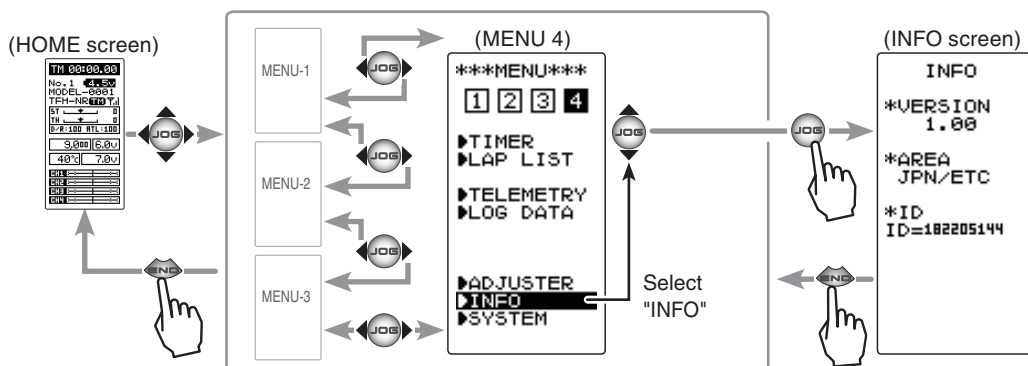
fig-4

### 3 When finished with setting, return to the ADJUSTER screen by pressing the (END) button.

# Information "INFO"

Display version of T4PM program, ID information.

Display the "INFO" screen using the following method.:



# Software Update

Whenever improvements and new functions are available, the software of your T4PM radio transmitter can be updated easily online free of charge. The zip file of the update data will be shown on our website. You can download it and make a copy on your microSD card.

Below is the procedure for the software update.

**Caution:** Before you update the software, the battery that is connected to the T4PM should be fully charged.

## Update method

- 1 Extract the zip file on your computer. The "FUTABA" folder will be created on your computer and copy the "FUTABA" folder onto your microSD card.

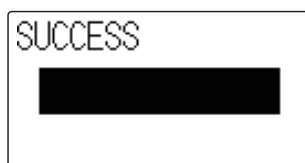
**Note:** If the microSD card has already had "another FUTABA" folder before you make a copy, the "FUTABA" folder is **OVERWRITTEN**.

- 2 Insert the microSD card with "FUTABA" folder that contained the update software into the SD card slot on your the T4PM.

- 3 Turn on the T4PM power while pressing down the "END" button. The software update is started.

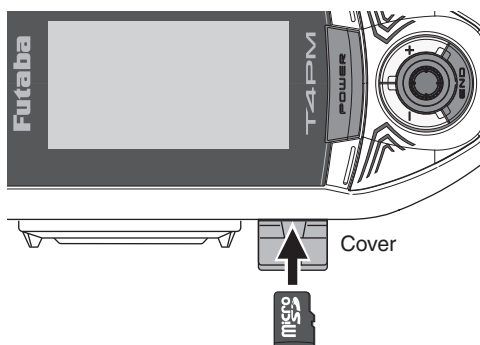


- 4 When the software update is completed, "SUCCESS" message is shown on the LCD display of your T4PM.



- 5 Turn off the power switch of your T4PM and remove the microSD card from the card slot.

- \*Insert the card with the metal terminals side at the bottom.
- \*Remove the card by pushing it in and then pulling it out.
- \*Install and remove the card by pushing it in until you hear a click.



### (Commercial product)

SD standard and SDHC standard microSD cards  
SD/SDHC format. Maximum size 32GB.  
(Some models may not be operated by card.)  
SDXC format is not supported.



\*The data in the memory card cannot be guaranteed regardless of the contents and cause of trouble or damage. Always back-up the valuable data in the memory card.

## ⚠ Caution

- ⓘ Always insert and remove the microSD card in the state in which the transmitter power is off.

If the microSD card is removed while being accessed (read or write), the card itself and the data may be destroyed.

- ⊘ Do not install and remove the microSD card with the microSD card slot facing your face.

If you remove your fingers quickly, the microSD card may fly out and strike your face and is dangerous.

- ⊘ Since the microSD card is a precision device, do not subject it to unreasonable force or shock.



## Other Functions

Refer to country distributor WEB for detailed the following function explanation.

Function List	
Function Abbreviation	Description Of Function
<b>TH A.B.S</b>	Pumping brake
<b>TH MODE</b>	Throttle servo neutral position/ Idle-Up/ Neutral brake/ Engine cut
<b>S.BUS SX</b>	Futaba S.BUS/S.BUS2 servo parameter setup.
<b>MC LINK</b>	MC851C, 602C, 402CR, 950CR, 940CR, 960CR, 970CR parameters setting function.
<b>STR MIX</b>	Uses 2 servos to individually control the left and right steering.
<b>BRAKE MIX</b>	Front and rear independent brake control for 1/5 gas power car, etc.
<b>GYRO MIX</b>	The sensitivity of Futaba car rate gyros can be adjusted.
<b>4WS</b>	4WS mixing
<b>DUAL ESC</b>	Front and rear ESCs mixing
<b>CPS MIX</b>	The CPS-1 of Futaba LED controller can be adjusted.
<b>PROG MIX</b>	Programmable mixing between arbitrary channels.
<b>TIMER</b>	Up, down, or lap timer
<b>LAP LIST</b>	Lap timer data (lap time, total time) check.
<b>TELEMETRY</b>	Displays the status during operation of each sensor unit and records the status in a data log.
<b>LOG</b>	Log Setting, Start/ Stop
<b>INFO</b>	Display the transmitter program number and ID number.

## Ratings

\*Specifications and ratings are subject to change without prior notice.

**Communication method:** One-way operation system

**Maximum operating range:** 100m (Except the MINIT system) (Optimum condition)

**For safety:** F/S, B-F/S, ID

### Transmitter T4PM-2.4G

(T-FHSS SR / T-FHSS/S-FHSS system, wheel type, 4 channels)

**Transmitting frequency band:**

2.4GHz band

**RF power output:**

100mw EIRP

**Power requirement:**

(Dry cell battery) Penlight x 3 (4.5V)

**Current drain:**

150mA or less

**Transmission antenna:**

1/2λ di-pole

**Receiver R304SB / R304SB-E / R314SB / R314SB-E:** (T-FHSS system, 4 channels)

**Receiver R334SBS / R334SBS-E:** (T-FHSS/T-FHSS SR system, 4 channels)

**Power requirement:**

4.8V~7.4V battery / 3.5 ~ 8.4V useable (Dry cell battery cannot be used.)

**Receiving frequency band:**

2.4GHz band

**RF power output:**

10mw EIRP

**System:**

T-FHSS system (auto detection)

**Size:** (excluding a projection part)

R304SB / R304SB-E: 1.38x0.91x0.33" (35.1x23.2x8.5mm)

R314SB: 1.38x0.91x0.33" (35.1x23.2x8.5mm) / R314SB-E: 1.38x0.91x0.49" (35.1x23.2x12.5mm)

R334SBS / R334SBS-E: 1.33x0.88x0.44" (33.9x22.3x11.3mm)

**Weight:**

R304SB/R304SB-E: 0.23oz. (6.6g) / R314SB: 0.23oz. (6.6g) / R314SB-E: 0.25oz. (7.0g)

R334SBS: 0.26oz. (7.5g) / R334SBS-E: 0.25oz. (7.2g)

### System Compatibility

The T4PM is a 2.4GHz T-FHSS SR / T-FHSS surface system. The transmitter can also be switched to S-FHSS. The usable receivers are shown below. (However, the telemetry system cannot be used with T-FHSS SR and S-FHSS.)


Communications System	Usable Receivers
T-FHSS (Default)	R304SB / R304SB-E R314SB / R314SB-E / R324SBS R334SBS / R334SBS-E <small>*R3008SB, T-FHSS Air system receivers do not operate.</small>
T-FHSS SR (Change is possible)	R334SBS / R334SBS-E
S-FHSS (Change is possible)	R203GF / R2104GF / R204GF-E

**NOTE:**

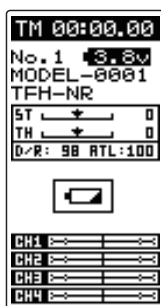
The T-FHSS surface system and T-FHSS Air system are different. The T4PM cannot be used with the R3008SB or T-FHSS Air system receivers.

# Warning Displays

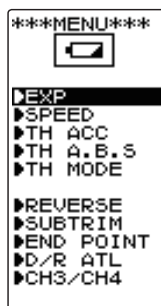
## Low Battery Alarm

When the battery voltage of the transmitter falls below the usable range, an audible alarm will sound and " will be displayed on the LCD screen.

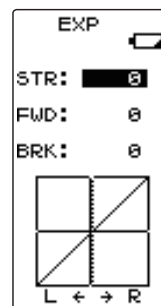
### LCD screen:



(HOME screen)



(MENU 1, 2, 3)



(Function screen)

**Audible alarm:**  
**Continuous tone.**

## Warning

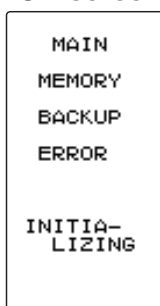
**!** When a low battery alarm is generated, cease operation immediately and retrieve the model.  
If the battery goes dead while in operation, you will lose control.

## Power supply and low battery alarm

The T4PM can use an optional rechargeable battery. However, the battery alarm setting is different from that of the dry cell battery (alkaline battery recommended). Therefore, always set the battery type to match the power source used. Always set the battery type to "LiFe2" especially when using a Futaba rechargeable type battery. If the set is used at "DRY3" setting, the time from low battery alarm to system stopping will become extremely short. (See page 41, for a detailed description of the battery types.)

## Memory Error

### LCD screen:



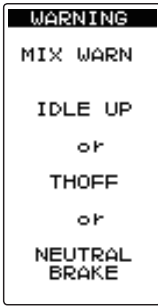
If the data in the transmitter is not transferred normally when the power is turned on, an audible alarm will sound and "MAIN MEMORY BACKUP ERROR" will be displayed on the LCD.

- To stop the alarm, turn off the power.
- Turn the power back on. If the alarm is not generated again, there is no problem.

**Audible alarm:**  
**Tone sounds (7 times) and stops (repeated)**

## MIX Warning

### LCD screen:



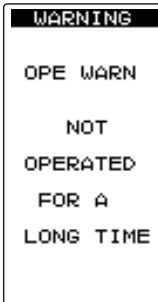
When the power switch is turned on while the idle-up, preset (engine cut) or neutral brake function switch is on, an audible alarm will sound and "MIX WARN" will be displayed on the LCD. When that function switch is turned off, the alarm will stop.

### Audible alarm:

**Tone sounds (7 times) and stops (repeated)**

## Power off forgotten warning

### LCD screen:



If the T4PM is not operated for 10 minutes, an audible alarm is sounded and "OPE WARN" is displayed on the screen. The audible alarm stops when the steering wheel, throttle trigger, and any dial, switch, or edit button is operated. If you are not going to use the transmitter, turn the power off. (Setting can be reset at the system menu on page 42.)

### Audible alarm:

**Tone sounds (7 times) and stops (repeated)**

## Optional Parts

The following parts are available as 4PM options. Purchase them to match your application. For other optional parts, refer to our catalog.

### Transmitter Battery

When purchasing a transmitter battery use the following:

FT2F1100 (6.6V/1100mAh) / FT2F1700V2 (6.6V/1700mAh) / 2100BV2 (6.6V/2100mAh)  
LiFe battery

Please do not use the transmitter batteries ( FT2F1100B / FT2F1700V2 / 2100BV2) as the receiver's battery.

Since the transmitter's battery has an overload protection circuit, the output power will be shut down when the high current load is applied. This may result in runaway or fatal crash.

### Telemetry Sensor

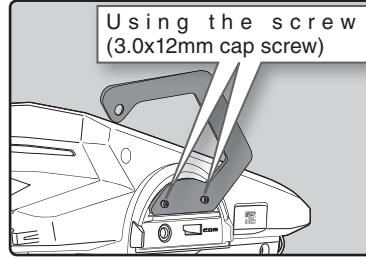
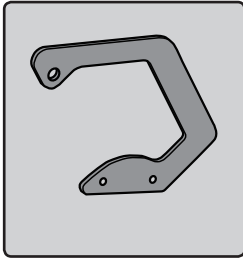
Usable sensor options (As of December 2018)

Voltage Sensor (SBS-01V) / Temperature sensor (SBS-01T) / Temperature sensor (SBS-01TE) / RPM Sensor (SBS-01RM) / RPM Sensor (SBS-01RB) (Brushless type) / Current sensor (SBS-01C) / GPS sensor (SBS-01G)

## T7PX/T4PM Handle

---

This handle is option part for carrying T4PM. Please read the installation instructions of the handle carefully for mounting method and precautions.



## Other

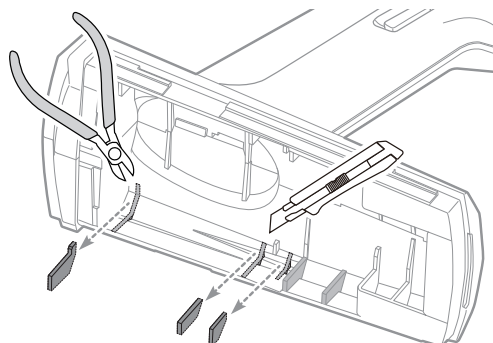
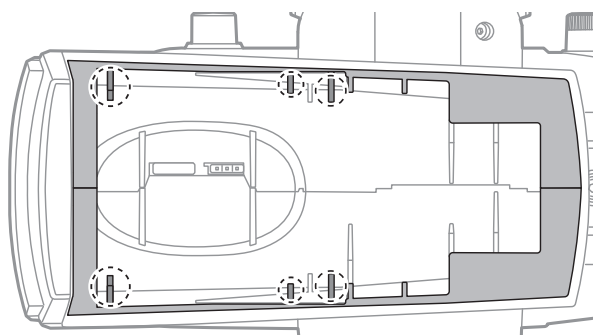
---

- DSC cable for data transfer (For updating transmitter with CIU-3)
- Inductive Charging System ICS LF-01  
(Li-FePO4 battery inductive charger for T7PX / T4PV / T4PM)
- Dry Battery Box for Transmitter 3P-SQ  
(It is a standard item attached to T4PM.)

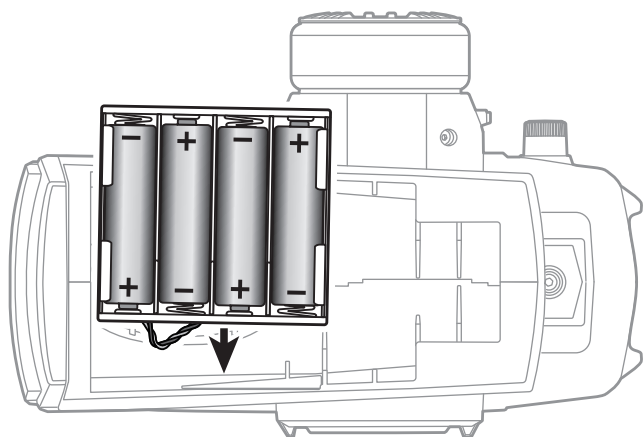
## When Using Four Dry Batteries

When ribs in the battery case are cut by the following method.

### Cut rib



- Cut out the six ribs inside the battery case referring to the figure.



- Insert the dry battery box 4P-SQ from the wiring side as shown above.

### Cauton

❗ When putting the dry battery box in the transmitter, please put it in the case from the side with wiring. Also, when removing, please remove from wiring side.

When installing and removing from the side opposite to the instruction, there is a possibility that the wiring is caught in the case and it is disconnected or short-circuited.

### Warning

❗ Be alert when using a cutter knaife or nipper.

Failure to use it or neglect attention may cause injury and is extremely dangerous.

### Low battery alarm

When changing to four the AA size dry batteries, be sure to change the battery type to "CSTM" and set the low battery alarm voltage to 4.1 V with the BATT setting (see page 41) of the system menu.

# Warranty & Repair Service (In U.S.A)

## (Warranty)

Read the Warranty card.

- When requesting warranty service, send the card or some type of dated proof purchase.

Technical updates and additional programming examples can be found at: [www.futabausa.com](http://www.futabausa.com)

## (Information needed for repair)

If any difficulties are encountered while setting up or operating your T4PM, please consult the instruction manual first. For further assistance you may also refer to your hobby dealer or contact the Futaba Service Center at the e-mail address, fax or telephone number listed below:

Phone:1-256-461-9399, FAX:1-256-461-1059

E-Mail: [service@futabaUSA.com](mailto:service@futabaUSA.com)

If you are unable to resolve the issue, pack the system in its original container with a note enclosed and a thorough, accurate description of the difficulty. Include the following in your note:

- Symptoms (including when the problem occurred)
- System (Transmitter, Receiver, Servos and model numbers)
- Model (Model name)
- Your Name, Address and Telephone number

- No part of this manual may be reproduced in any form without prior permission.
- The contents of this manual are subject to change without prior notice.
- This manual has been carefully written. Please write to Futaba if you feel that any corrections or clarifications should be made.
- Futaba is not responsible for the use of this product.

---

©Copyright 2018. No part of this manual may be reproduced in any form without prior permission. The contents of this manual are subject to change without prior notice. While this manual has been carefully written, there may be inadvertent errors or omissions. Please contact our service center if you feel that any corrections or clarifications should be made.

FUTABA CORPORATION

oak kandakajicho 8F 3-4 Kandakajicho, Chiyoda-ku, Tokyo 101-0045, Japan  
Phone: +81-3-4316-4820, Facsimile: +81-3-4316-4823

**4PM**

**Futaba®**