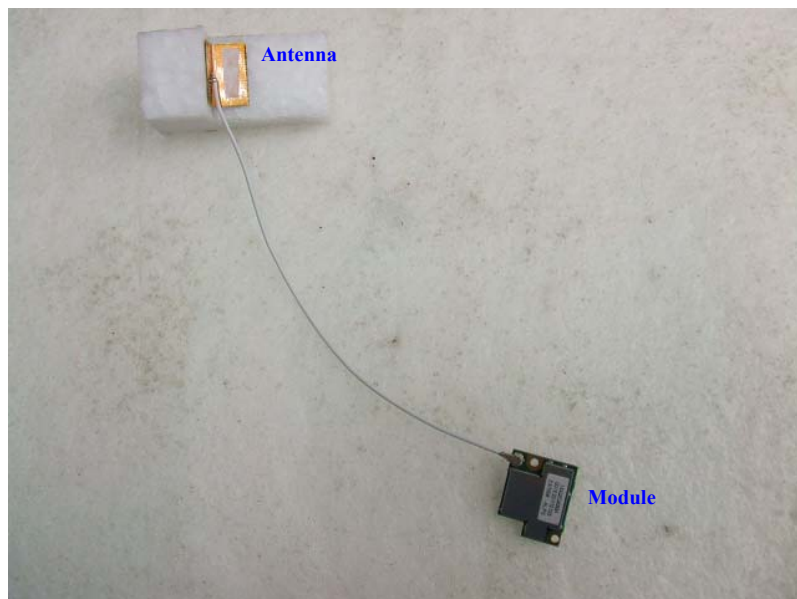


APPENDIX 1 : Photographs of test setup

1. Photograph of EUT



a). Information of host device (Transmitter)

The Wireless File transmitter of host device has a variant model (DS585802 (tested sample), DS585801, DS585803, DS585804). The variant model is different by export countries and the externals size doesn't change. Therefore, the test was performed with Model No. DS585802 as representative model.

Type of Equipment	Wireless File transmitter
Model No.	DS58580x(tested sample)
Serial No.	MT57
Manufacture	Canon
Rating	DC12.5V(Supply from camera)
Size of EUT	26(W)*97.75(H)*31.8(D) mm
Condition of EUT	Production prototype
The shortest distance between surface of host device and antenna	2.5mm

Operation frequency of variant model

Model No.	IEEE802.11b	IEEE802.11g	IEEE802.11a
DS585801*	2412-2472MHz	2412-2472MHz	5180-5240MHz (W52) 5260-5320MHz (W53) 5500-5700MHz (W56)
DS585802	2412-2462MHz	2412-2462MHz	5180-5240MHz (W52) 5260-5320MHz (W53) 5745-5825MHz (W58)
DS585803*	2412-2472MHz	2412-2472MHz	5745-5825MHz (W58)
DS585804	2412-2462MHz	2412-2462MHz	-

*North America is excluded to this model.

b). Information of host device (Digital Camera)

The limited transmitter which is installed in the EUT is used only with limited digital camera of similar composition. The SAR test was performed with the limited transmitter and digital camera as a host device.

The details of limited transmitter and digital camera were shown below.

The digital camera into which the transmitter perfectly fits has three types, but model 1 of the digital camera is used for SAR measurement, because this camera was able to be tested in the worst condition of transmitter.

Type of Equipment	Digital SLR Camera	
Model No.	Model 1	DS126141(tested sample)
	Model 2	DS126221
	Model 3	DS126161
Serial No.	551137	
Manufacture	Canon	
Battery	Type :	Li-ion Battery
	Model Name :	LP-E4
	Rating :	DC11.1 V/ 2300mAh
	Manufacturer	Canon
	Option Battery	N/A
Condition of camera	Production prototype	

UL Japan, Inc.

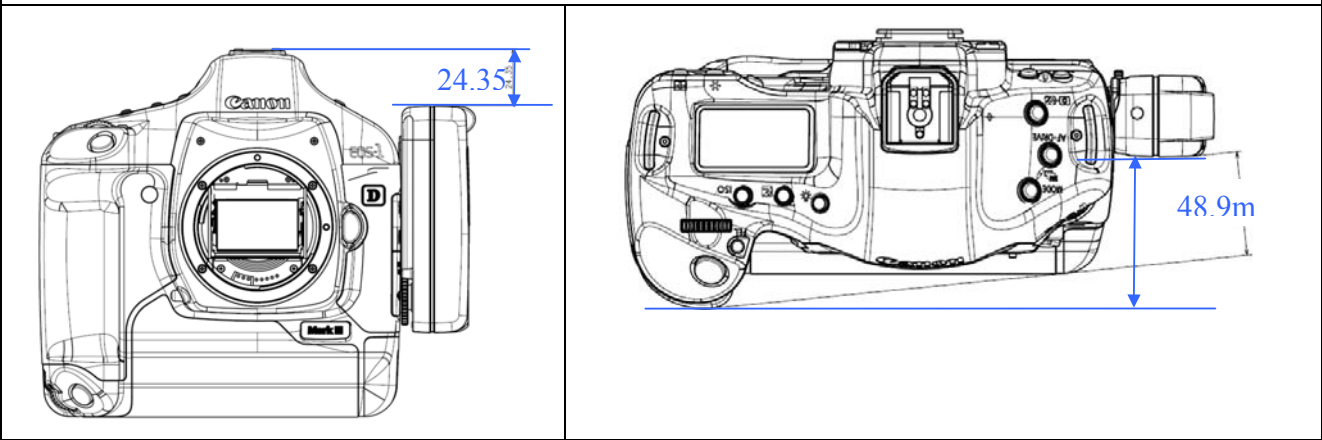
Head Office EMC Lab.

4383-326 Asama-cho, Ise-shi, Mie-ken 516-0021 JAPAN

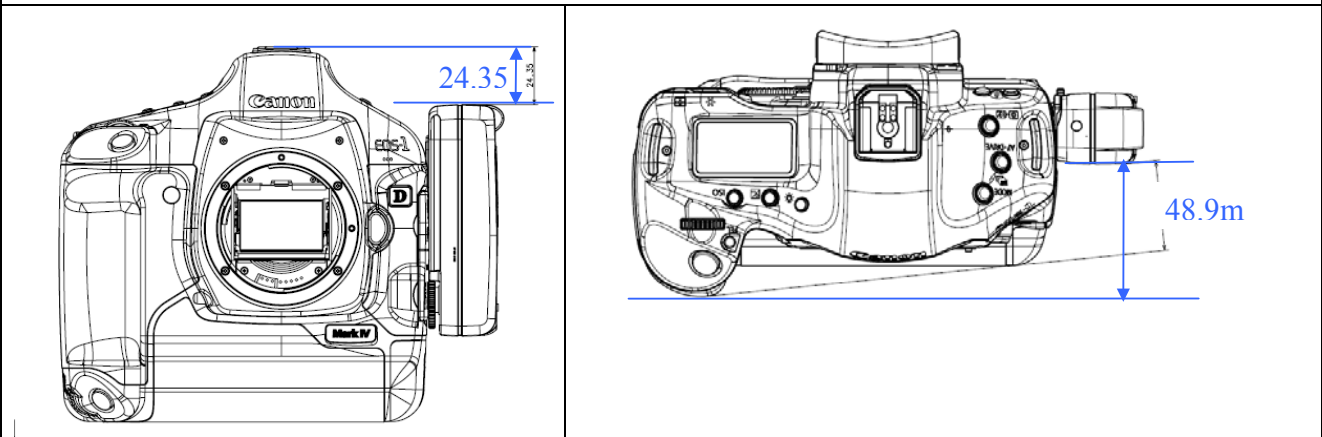
Telephone : +81 596 24 8116

Facsimile : +81 596 24 8124

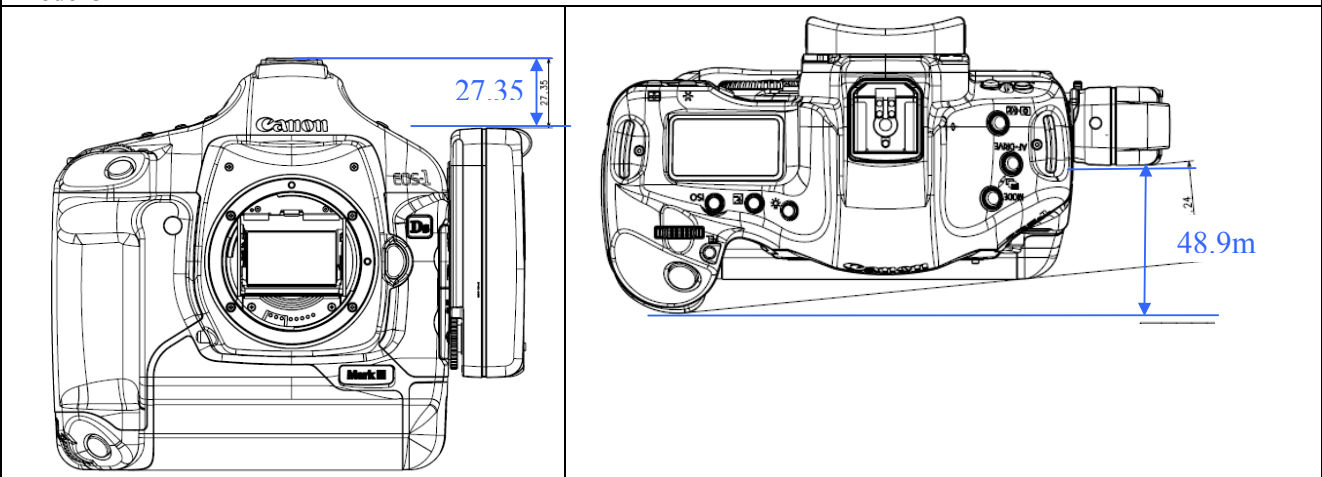
Model 1



Model 2

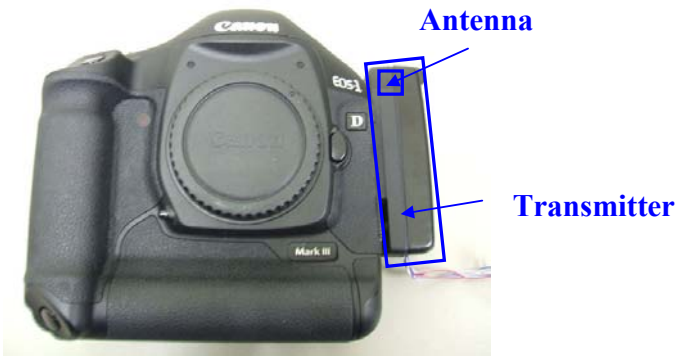


Model 3



2. Photograph of Host device

Front



Side



Rear



Top

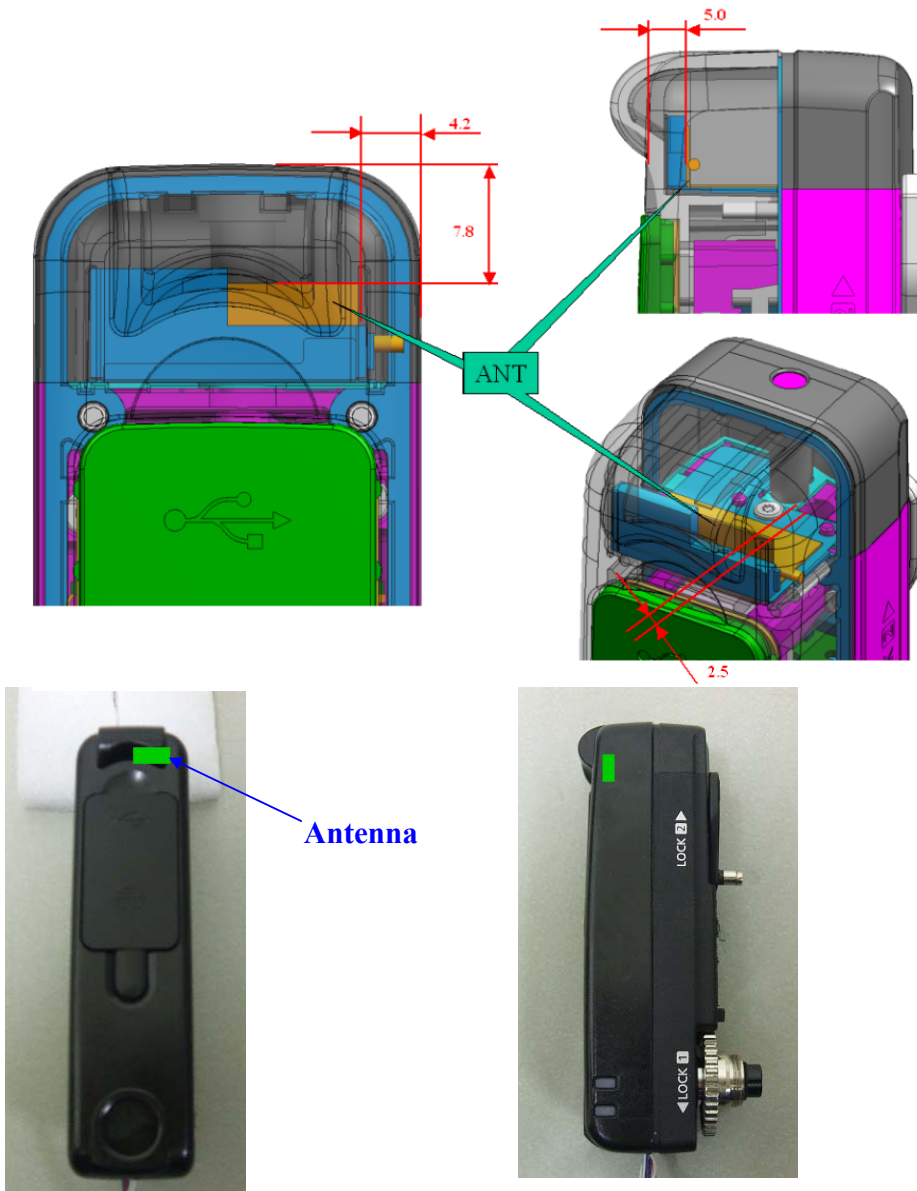


Bottom



3. Position of antenna

Minimum distance: 2.5mm
Between cabinet and antenna



4. Body-worn configuration

The digital camera has accessories (Neck strap, wide strap, and EPS strap (CANON Inc.)) that contain no metal. When these straps are used with EUT, it is a body-worn configuration since they were worn on a user's neck or shoulder.

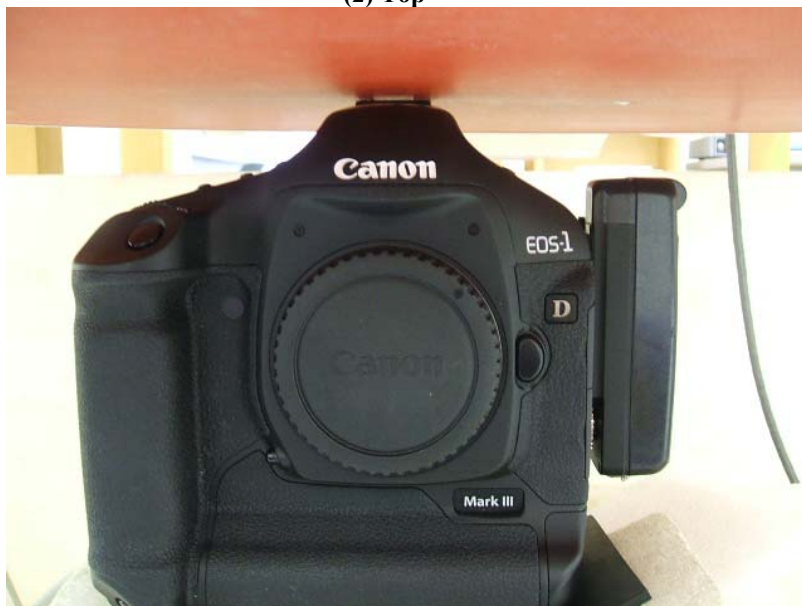


5. Photograph of test setup

(1) Side



(2) Top



(3) Front



(4) Rear



(5) Bottom



(6) Side 5mm



(7) Side 10mm

