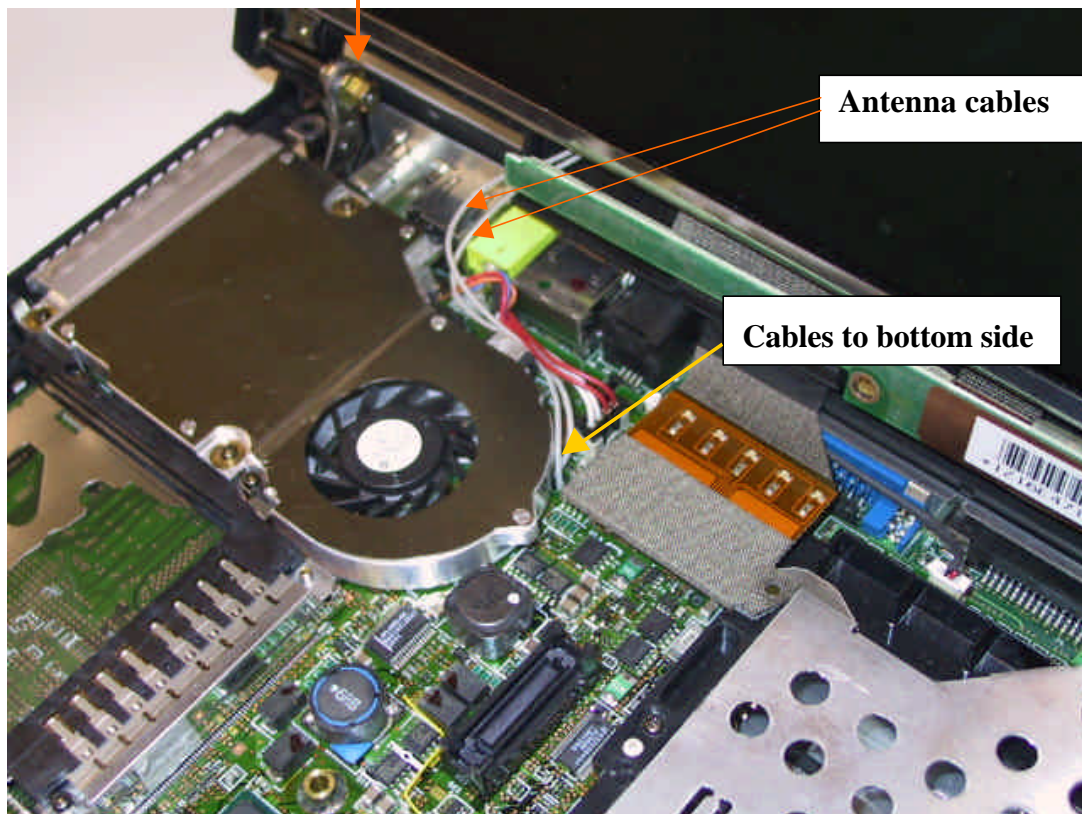
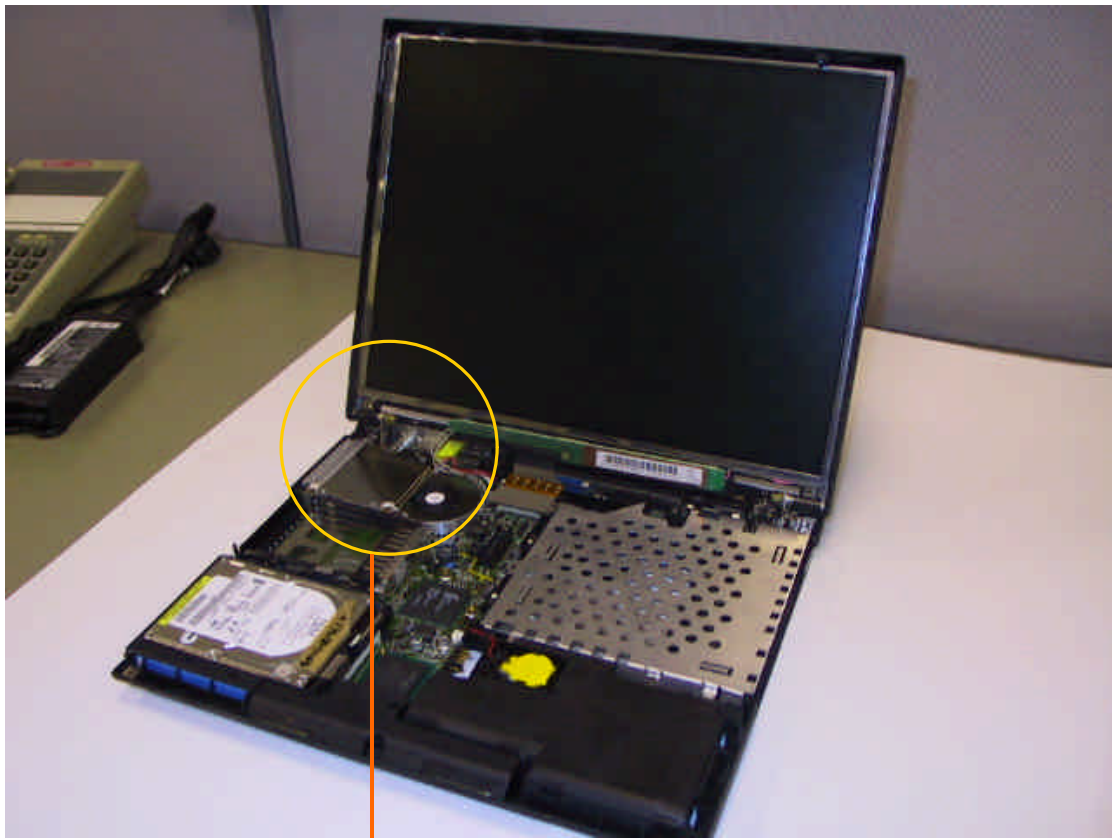
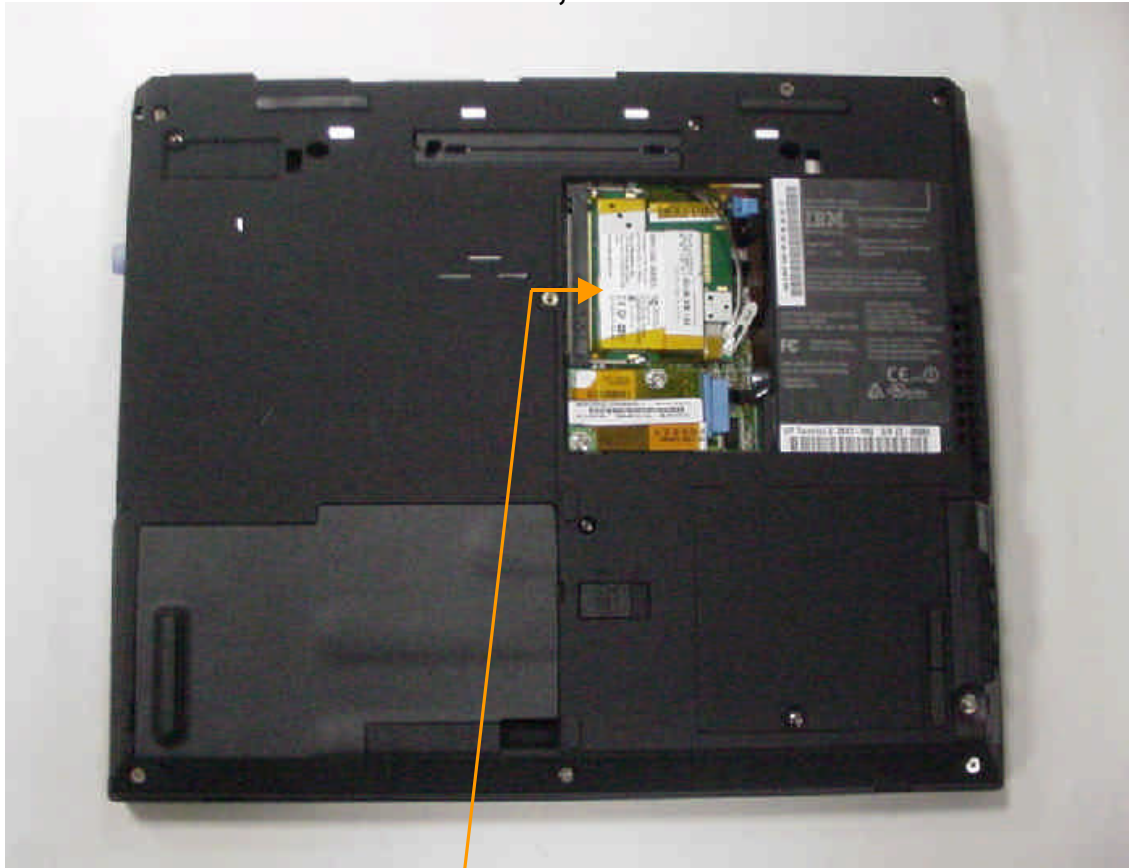


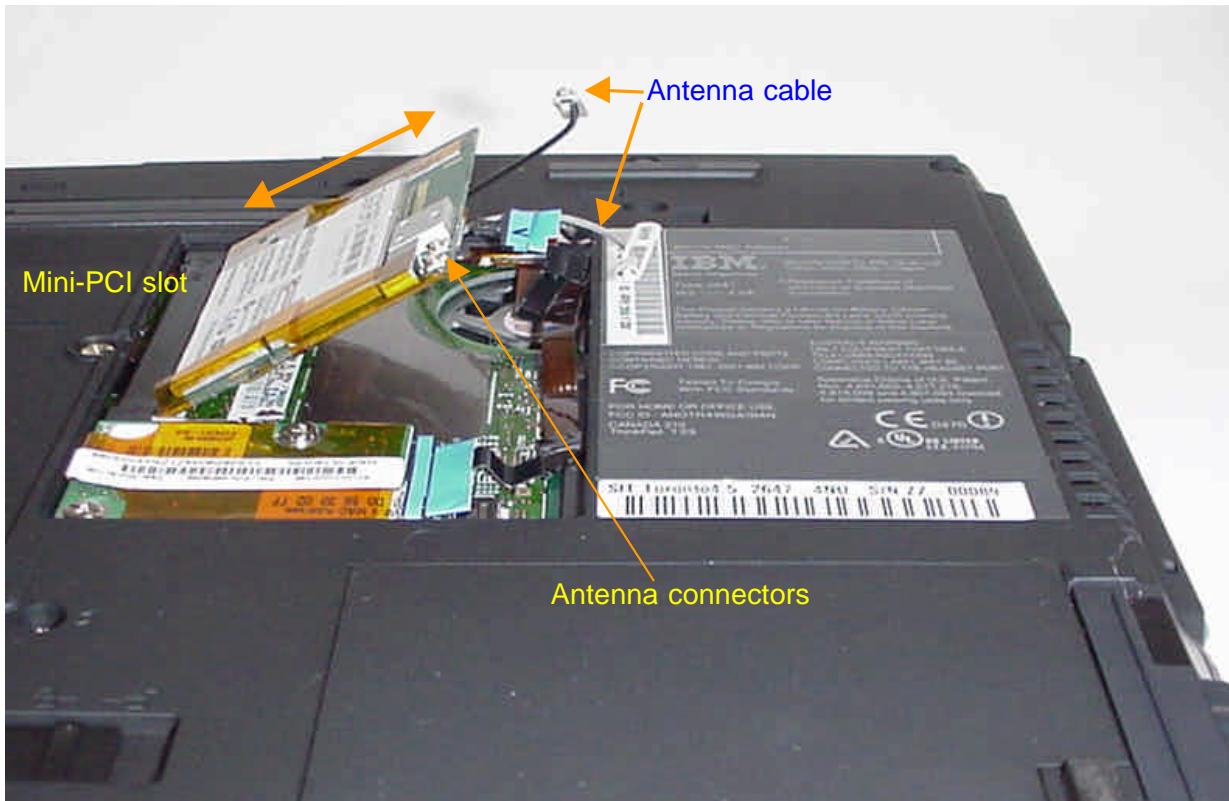
# Internal Photos



**Bottom view, rear side**



**Integrated Wireless LAN Adapter**



**Mini-PCI slot**

**Antenna cable**

**Antenna connectors**

Antenna locations



Left side antenna  
Inverted-F type



Right side antenna  
Inverted-F type





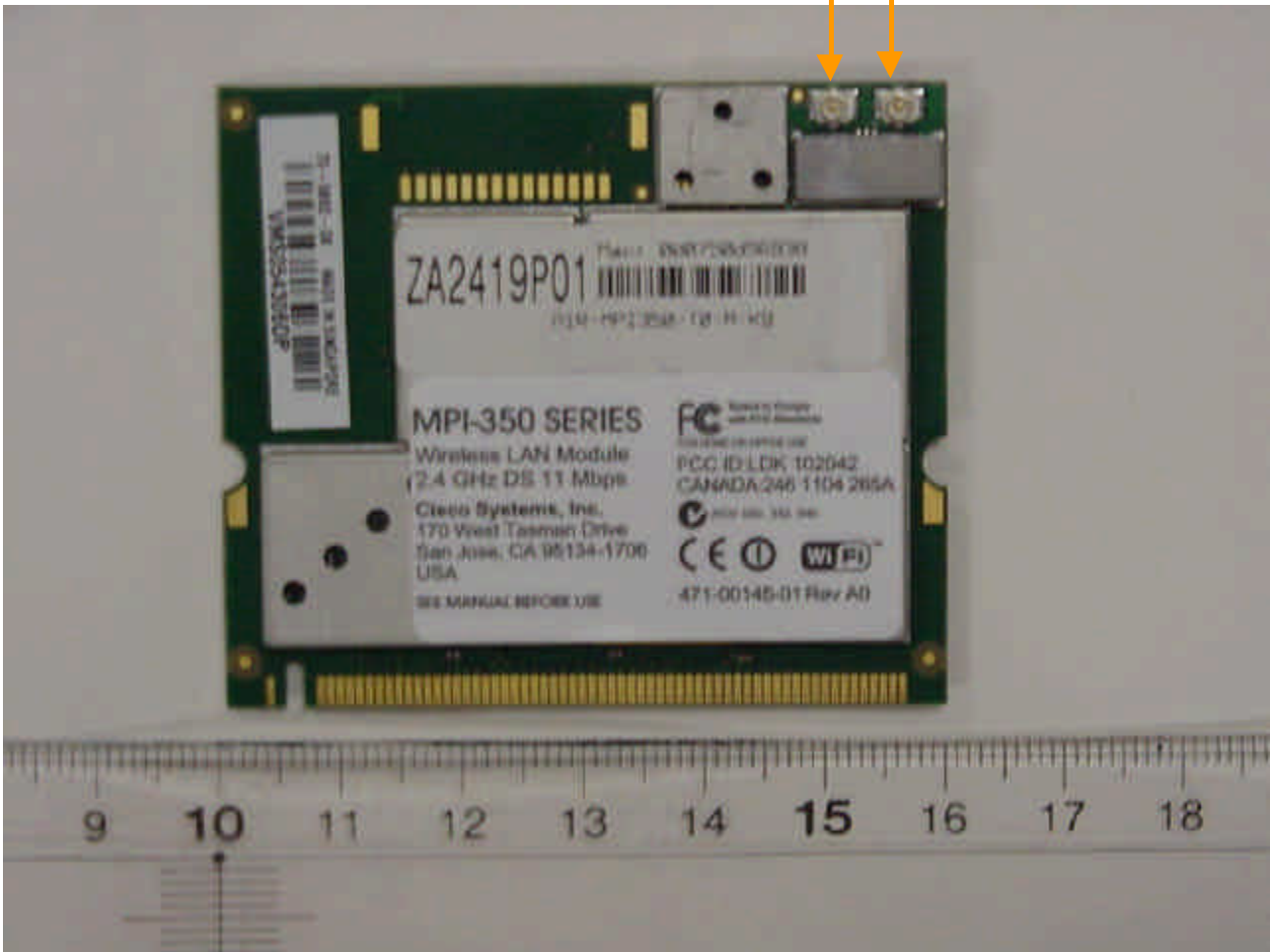
### Wireless LAN Mini-PCI Adapter

The OEM Wireless LAN Adapter is a 'Modular' approved RF device.

FCC ID : LDK 102042

Modular name : MPI 350 Series, by CISCO Systems, Inc.

Antenna terminals

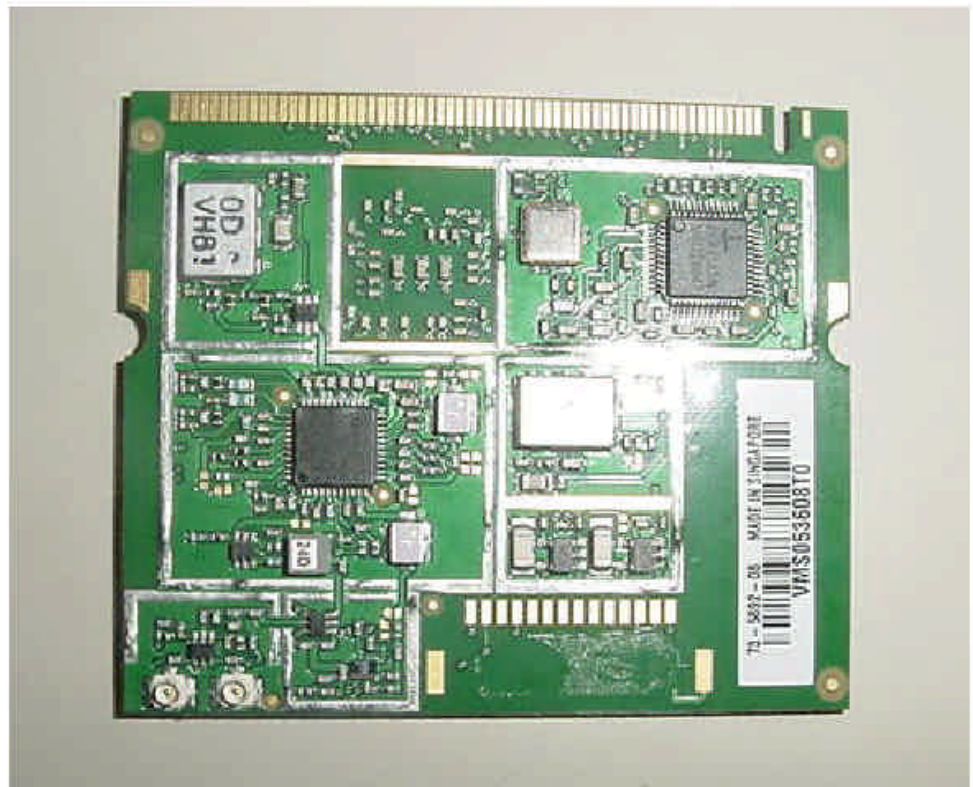


**Exterior views with no labels**

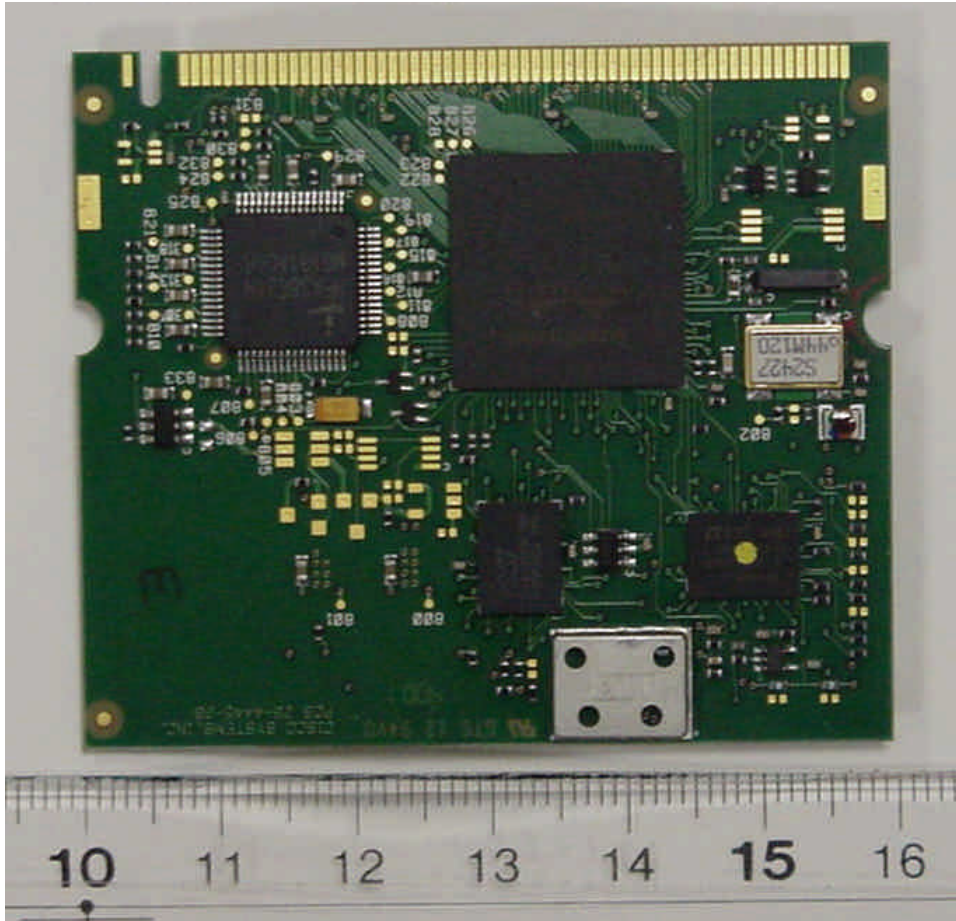


AIR-MPI350 Shielded Top

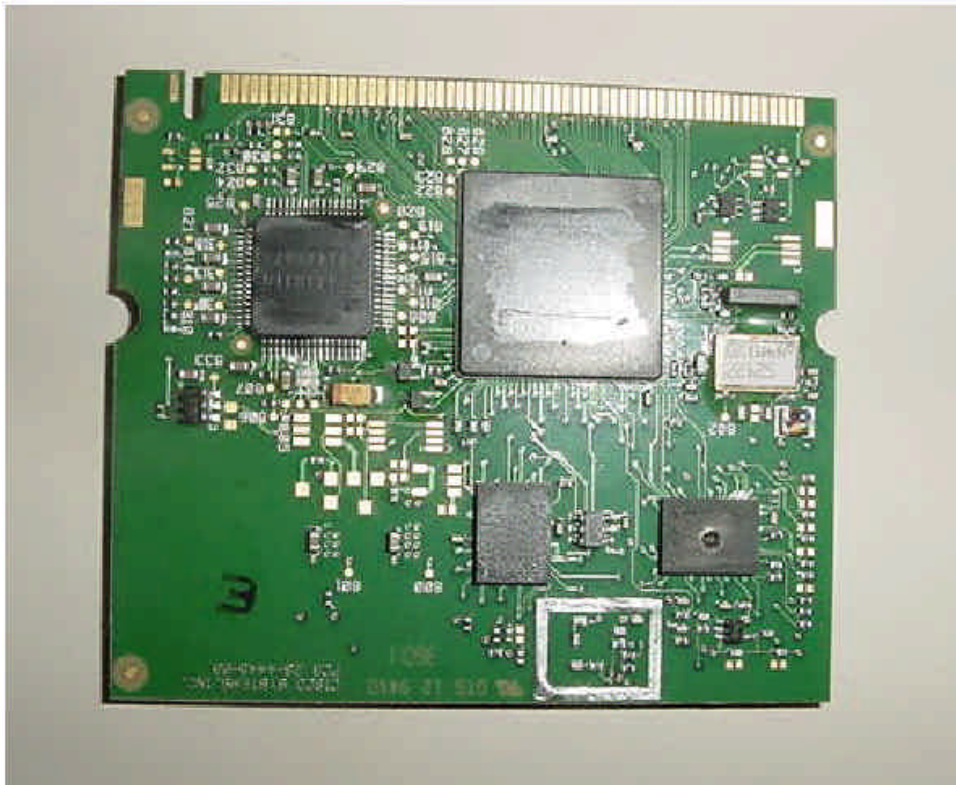
Antenna terminals



AIR-MPI350 Unshielded Top

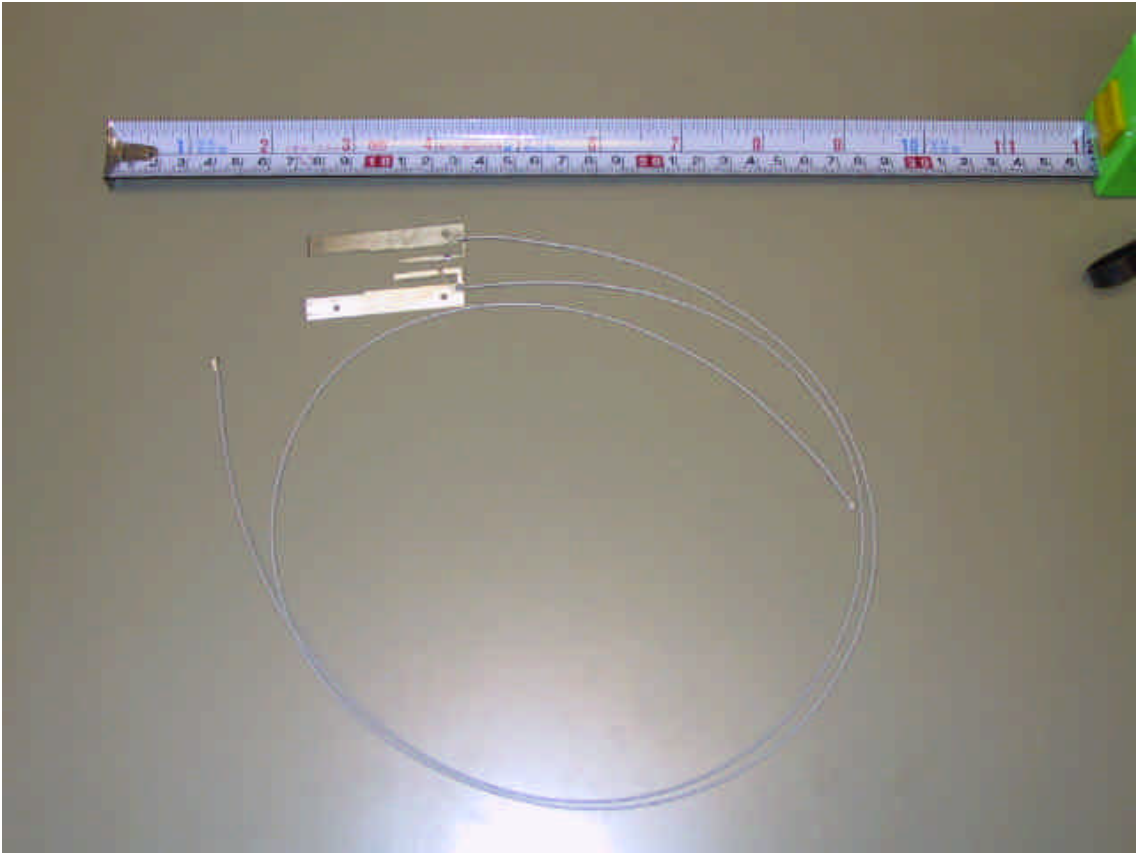
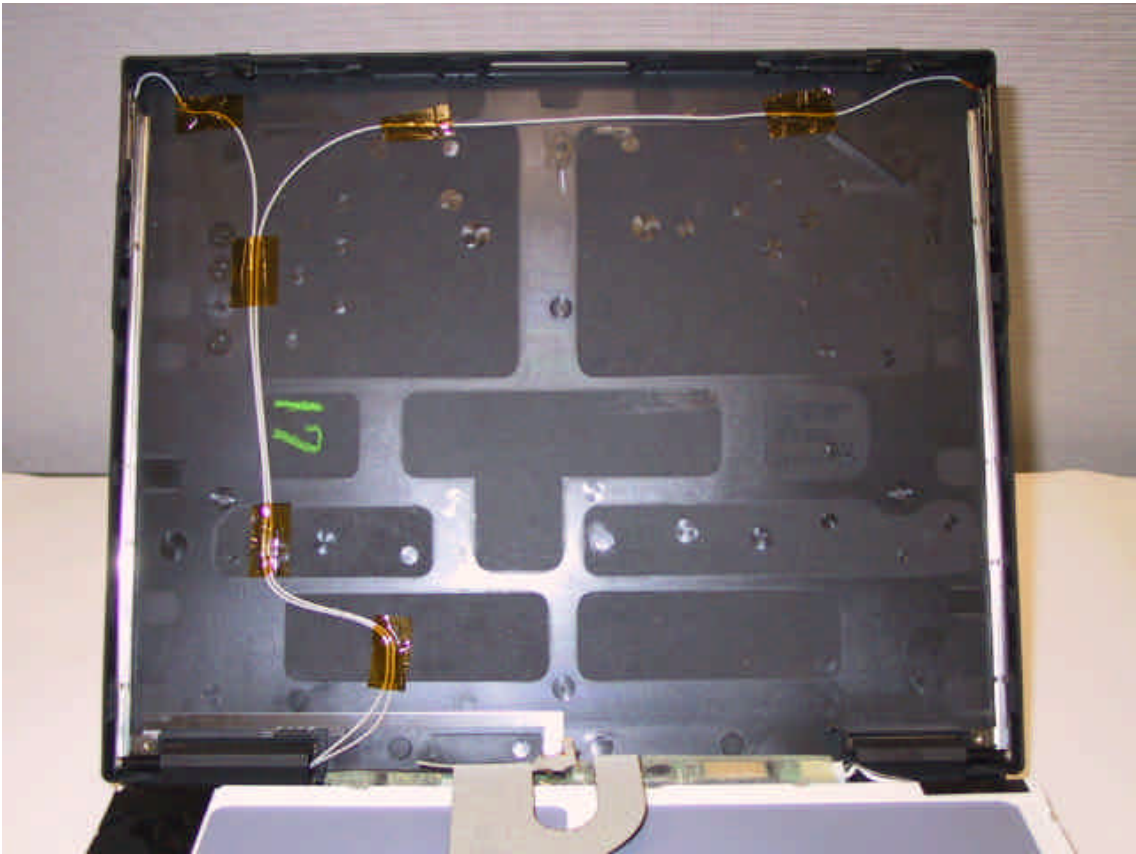


AIR-MPI350 Shielded Bottom

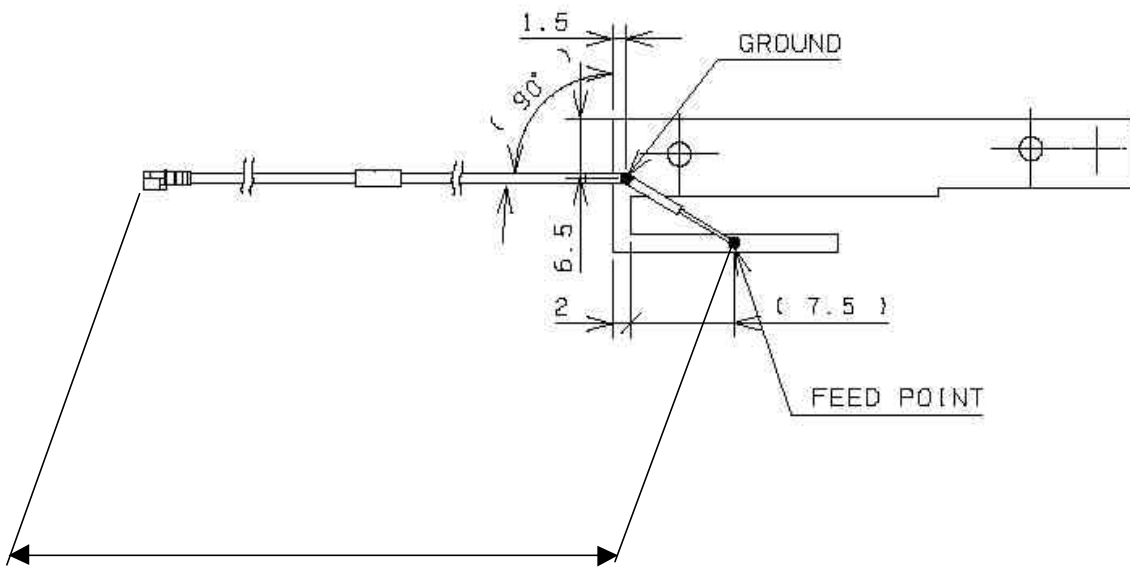
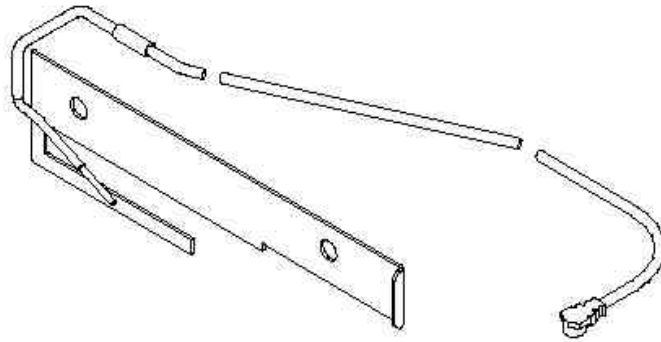


AIR-MPI350 Unshielded Bottom





### Inverted F type Antenna and Cable



**Cable length : Left antenna ; 480mm  
Right antenna ; 655mm**