

1

2

3

4

D

D

C

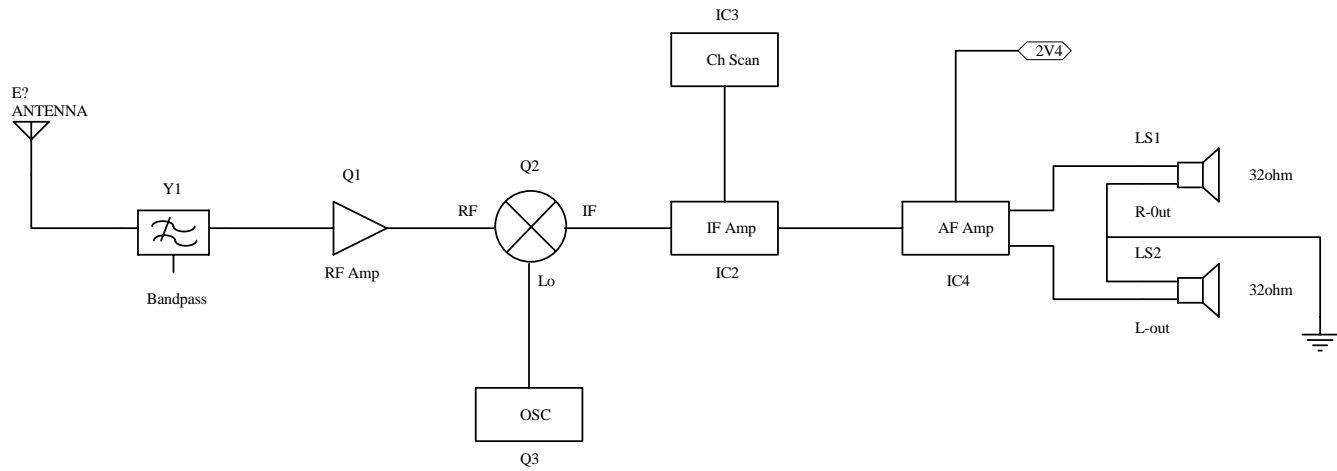
C

B

B

A

A



Title		
RF930 900Mhz RX Block Diagram		
Size	Number	Revision
A4		
Date:	15-Dec-2003	Sheet of
File:	C:\project\rf\900Mhz\PANASONIC\RF930\RF930.DWG	0001/01

1

2

3

4