

EXHIBIT G

EXHIBIT G

SCHEMATIC DIAGRAMS:

FIG. 1: POWER SUPPLY BOARD	BASE UNIT
FIG. 2: ANALOG (TELEPHONE INTERFACE) BOARD	BASE UNIT
FIG. 3: DIGITAL (MAIN CONTROL) BOARD	BASE UNIT
FIG. 4: HANDSET BOARD	PORTABLE UNIT
FIG. 5: BASE RF BOARD	BASE UNIT
FIG. 6: HANDSET RF BOARD	PORTABLE UNIT

FIG. 3 DIGITAL BOARD

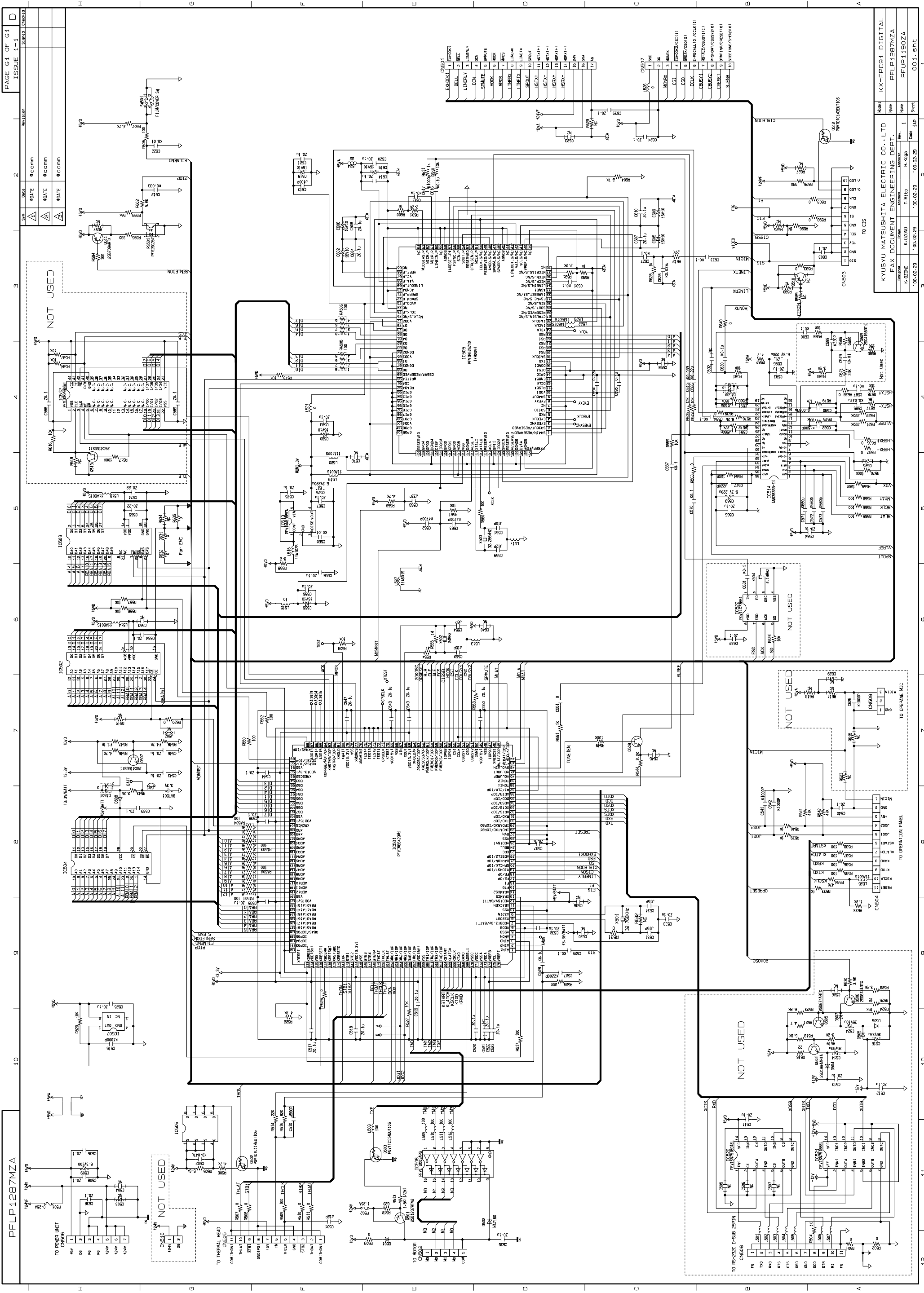
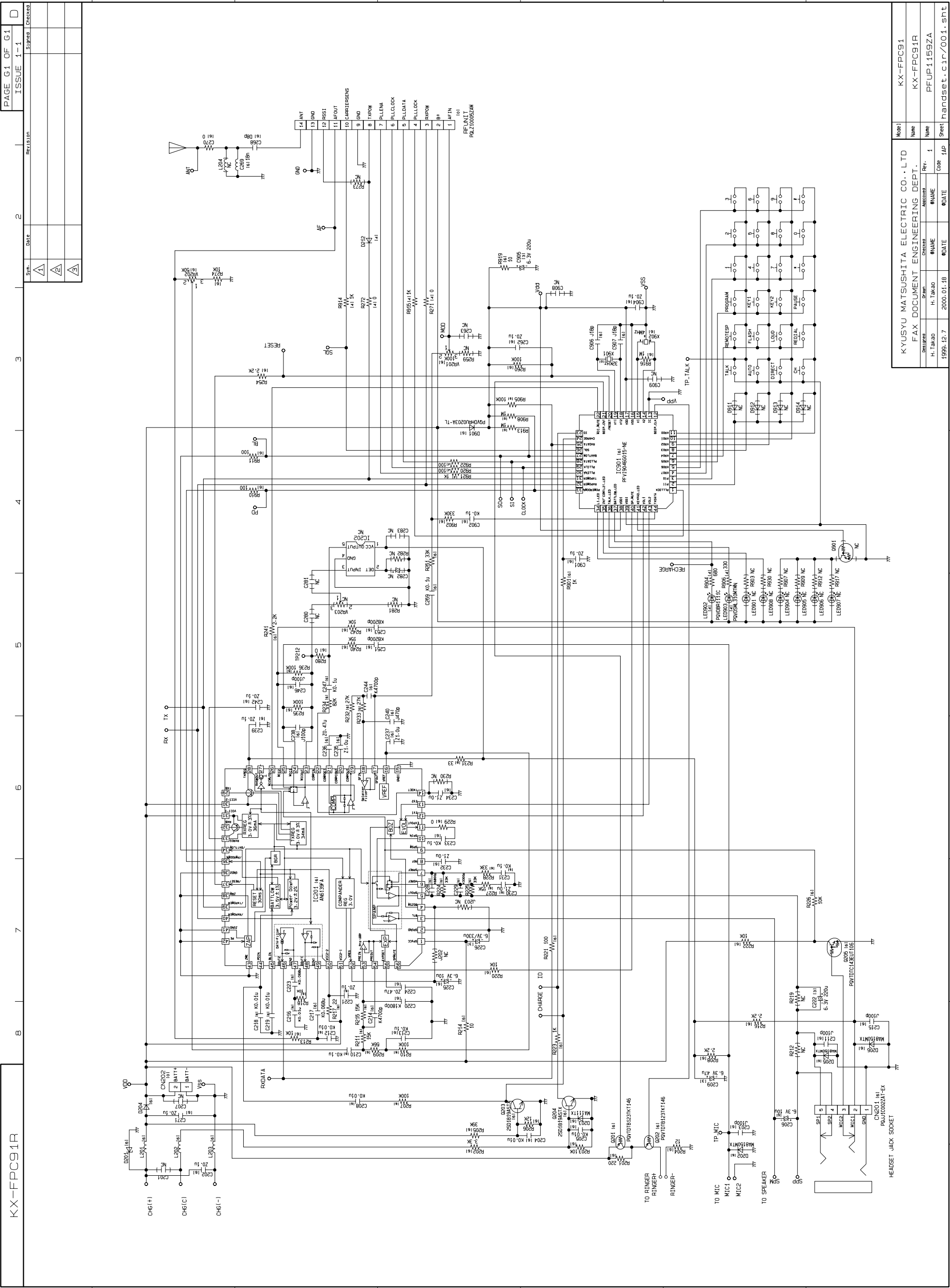


FIG.4 HANDSET BOARD



KX-FPC91R

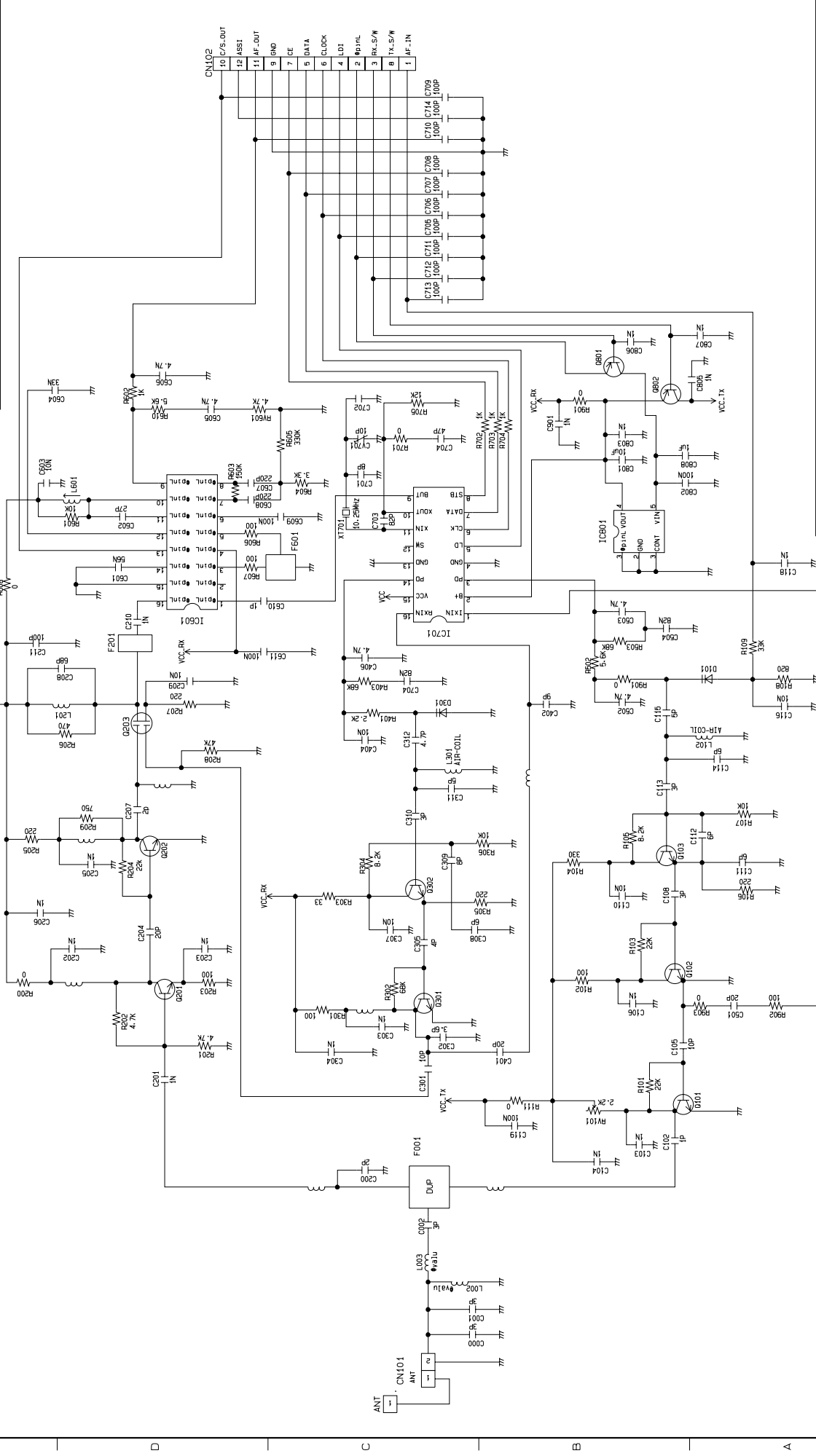
PAGE G1 OF G1
ISSUE 1-1

REV.	DATE	REVISION	Signed	Checked
1				
2				
3				
4				
5				
6				
7				
8				
9				

Model	KX-FPC91
Name	KX-FPC91R
Designer	H. Takao
Checker	
DATE	2000.01.18
Sheet	1
File	handset.cir/001.sht

Model	KYUSU MATSUSHITA ELECTRIC CO., LTD
Name	FAX DOCUMENT ENGINEERING DEPT.
Designer	H. Takao
Checker	
DATE	1999.12.7
Sheet	1
File	handset.cir/001.sht

PAGE G1 OF G1		Revision	
ISSUE 1-1		Checked	
Syn.	Date	Rev.	Checked
△	0REV	0REV1	
△	0REV	0REV1	
△	0REV	0REV1	



Model	RF_UNIT
Name	SCHEMATIC
Name	FOR BASE
Sheet	SHEET1

Model	KYUSU MATSUSHITA ELECTRIC CO., LTD
Name	FAX DOCUMENT ENGINEERING DEPT.
Name	
Rev.	
Code	
Sheet	

FIG.5 BASE RF BOARD

Rev.	Date	By	Checked	Suppl.	Checked
0REV1		A			
0REV1		A			
0REV1		A			

Model	Name	Rev.	Code	Sheet
	KYUSU MATSUSHITA ELECTRIC CO., LTD			2
	FAX DOCUMENT ENGINEERING DEPT.			3
	FOR HANDSET			4
	0SHEE			5

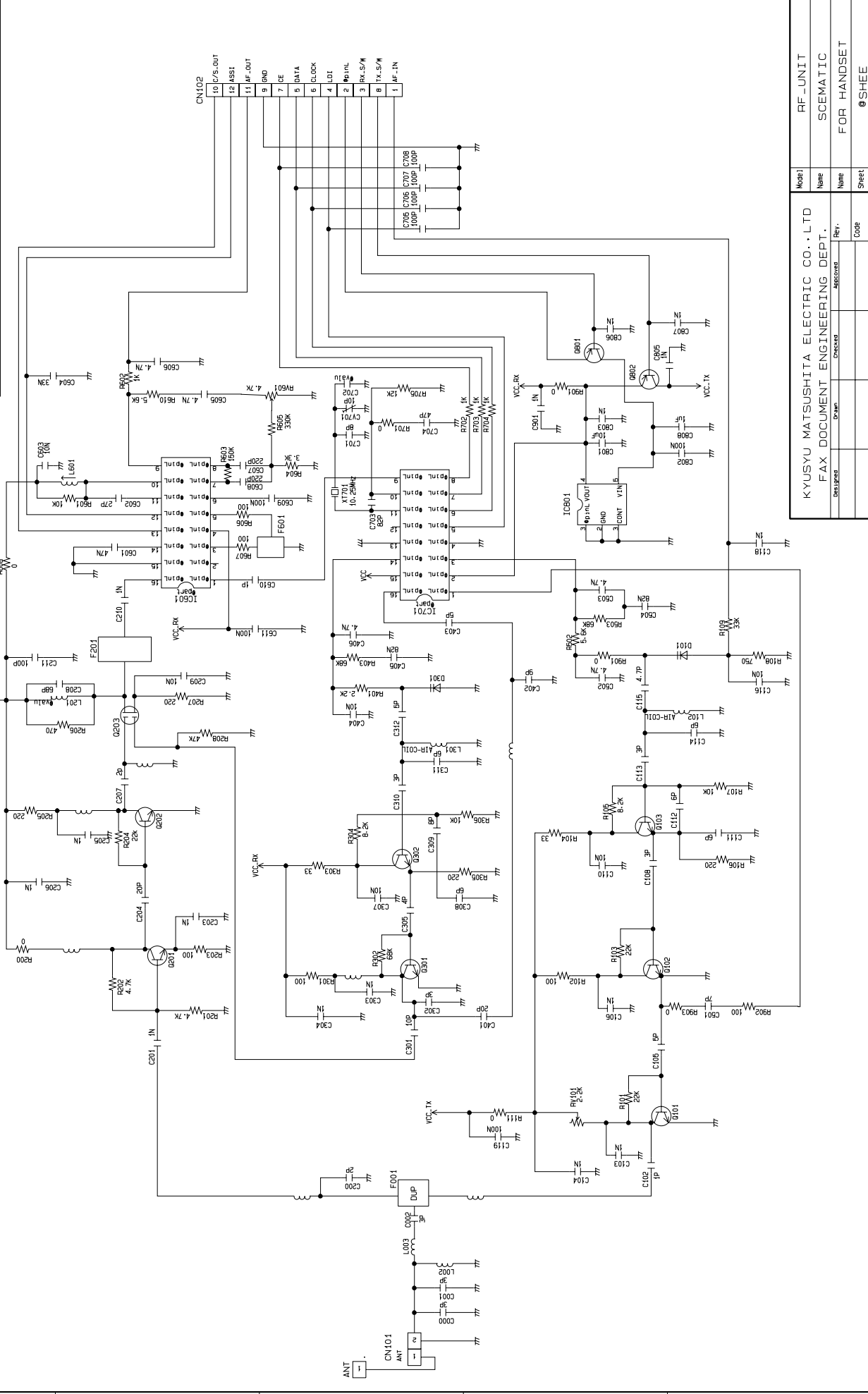


FIG.6 HANDSET RF BOARD