

## ***EMC* EMISSION - TEST REPORT**

JQA APPLICATION No. : KL8090761

Name of Product : Facsimile with Cordless Telephone (900 MHz) - Handset

Model/Type No. : KX-FPC91

FCC ID : ACJKM7KX-FPC91

Applicant : Kyushu Matsushita Electric Co., Ltd.

Address : 1-62, 4-chome, Minoshima, Hakata-ku, Fukuoka, Japan

Manufacturer : Kyushu Matsushita Electric Co., Ltd.

Address : 1-62, 4-chome, Minoshima, Hakata-ku, Fukuoka, Japan

Receive date of EUT : February 17, 2000

***Final Judgement*** : **Passed**

***TEST RESULTS IN THIS REPORT*** are obtained in use of equipment that is traceable to Electro-technical Lab. of MITI Japan and Communications Research Lab. of PTT Japan.

***THE TEST RESULTS*** only responds to the test sample. This test report shall not be reproduced except in full.

## **DIRECTORY**

	<b>Page</b>
<b>A) Documentation</b>	
Directory	<u>2</u>
Test Regulation / General Information	<u>3</u>
Test Conditions	<u>4 - 8</u>
Configuration of EUT / Operation mode of the EUT	<u>9 - 10</u>
EUT Modification / Responsible Party / Deviation from standard	<u>11</u>
Test results / Measurement Uncertainty	<u>12 - 13</u>
Summary	<u>14</u>
<b>Test System-Arrangement (Drawings)</b>	<u>15</u>
<b>Preliminary Test and Test-setup (Drawings)</b>	<u>16 - 19</u>
<b>Test-setup (Photographs) at worst case</b>	<u>20</u>
<b>B) Test data</b>	
Transmitter Portion	
Conducted Emission	450 kHz - 30 MHz <u>N/A</u>
Electromagnetic Field Radiated Emission	9 kHz - 10 GHz <u>21 - 23</u>
Emission within the Frequency Band	902 MHz - 928 MHz <u>24 - 25</u>
Receiver Portion	
Conducted Emission	450 kHz - 30 MHz <u>N/A</u>
Electromagnetic Field Radiated Emission	30 MHz - 2 GHz <u>26 - 27</u>

## TEST REGULATION

FCC Rules and Regulations Part 15 Subpart A, B and C (April 16, 1999)

- Class A Digital Device
- Class B Digital Device
- Intentional Radiator
- Receiver (employing superheterodyne techniques)

### **Test procedure:**

Radiated emission test was performed according to the procedures in ANSI C63.4-1992.

## GENERAL INFORMATION

### **Test facility:**

- 1) Test Facility located at Kita-Kansai : 1st and 2nd Open Sites (3 m Site)  
Test Facility located at Kameoka Open Site (3, 10 and 30 m, on common plane)  
**FCC filing No. : 31040/SIT 1300F2**
- 2) KITA-KANSAI TESTING CENTER is recognized under the National Voluntary Laboratory Accreditation Program for satisfactory compliance established in Title 15, Part 285 Code of Federal Regulations.  
**NVLAP Lab Code: 200191-0**
- 3) Average Measurement Method  
**FCC filing No. : 950523A 1300F2**

### **Description of the Equipment Under Test (EUT):**

- 1) Name : Facsimile with Cordless Telephone (900 MHz) - Handset
- 2) Model/Type No. : KX-FPC91
- 3) Product Type : Prototype
- 4) Category : Intentional Radiator and Receiver  
(employing superheterodyne techniques)
- 5) EUT Authorization :  - Verification  - Certification  - D.o.C.
- 6) Transmitting Frequency : 926.100 MHz - 927.550 MHz
- 7) Receiving Frequency : 902.100 MHz - 903.550 MHz
- 8) Power Rating : DC 3.6 V (Ni-Cd Battery Pack : KX-A36)

### **Definitions for symbols used in this test report:**

- Black box indicates that the listed condition, standard or equipment is applicable for this Report.
- Blank box indicates that the listed condition, standard or equipment is not applicable for this Report.

## TEST CONDITIONS

### AC Powerline Conducted Emission Measurement

was performed in the following test site.

#### Test location:

KITA-KANSAI Testing Center

7-7, Ishimaru, 1-Chome, Mino-Shi, Osaka, 562-0027, Japan

○ - Shielded room

KAMEOKA EMC Branch

9-1, Ozaki, Inukanno, Nishibetsuin-Cho, Kameoka-Shi, Kyoto, 621-0126, Japan

○ - Shielded room

○ - On metal plane of open site

#### Used test instruments and sites:

Model No.	Device ID	Last Cal. Date	Cal. Interval
○ - ESH 3	A - 1		
○ - ESH 2	A - 2		
○ - ESH 2	A - 3		
○ - KNW-407	D - 6		
○ - KNW-408	D - 11		
○ - KNW-242	D - 7		
○ - ESH3-Z5	D - 12		
○ - KNW-341C	D - 13		
○ - KNW-408	D - 14		
○ - KNW-244C	D - 77		
○ - KNW-408	D - 78		
○ - ESH2-Z5	D - 10		
○ - ESH2-Z3	D - 17		
○ - 8568B	A - 10		
○ - 8566B	A - 13		
○ - 8593A	A - 15		
○ - 65 BNC-50-0-1	H - 26		
○ - 65 BNC-50-0-1	H - 27		
○ - Cable	H - 7		
○ - Cable	H - 8		

#### Environmental conditions:

Temperature: \_\_\_\_\_ °C      Humidity: \_\_\_\_\_ %

### Magnetic Field Radiated Emission Measurement

was performed in the frequency range of 9 kHz - 30 MHz, in the following test site.

#### Test location:

KITA-KANSAI Testing Center

7-7, Ishimaru, 1-Chome, Mino-Shi, Osaka, 562-0027, Japan

● - 1st site (3 meters)

○ - 2nd site (3 meters)

KAMEOKA EMC Branch

9-1, Ozaki, Inukanno, Nishibetsuin-Cho, Kameoka-Shi, Kyoto, 621-0126, Japan

○ - Open test site      ○ - 3 m      ○ - 10 m      ○ - 30 m

#### Used test instruments:

Model No.	Device ID	Last Cal. Date	Cal. Interval
○ - ESH 3	A - 1		
● - ESH 2	A - 2	May, 1999	1 Year
○ - ESH 2	A - 3		
● - HFH2-Z2	C - 2	February, 1999	1 Year
○ - HFH2-Z2	C - 3		

#### Environmental conditions:

Temperature: 21 °C      Humidity: 33 %

### Electromagnetic Field Radiated Emission Measurement

was performed in horizontal and vertical polarization, in the frequency range of 30 MHz - 1000 MHz, in the following test site.

#### Test location:

KITA-KANSAI Testing Center

7-7, Ishimaru, 1-Chome, Mino-Shi, Osaka, 562-0027, Japan

● - 1st site (3 meters)

○ - 2nd site (3 meters)

KAMEOKA EMC Branch

9-1, Ozaki, Inukanno, Nishibetsuin-Cho, Kameoka-Shi, Kyoto, 621-0126, Japan

○ - Open test site      ○ - 3 m      ○ - 10 m      ○ - 30 m

#### Validation of Site Attenuation:

1) Last Confirmed Date : October 28, 1999

2) Interval : 1 Year

#### Used test instruments:

Model No.	Device ID	Last Cal. Date	Cal. Interval
● - ESV/ESV-Z3	A - 7 / A - 17	December, 1999	1 Year
○ - ESV/ESV-Z3	A - 6 / A - 18		
○ - ESV/ESV-Z3	A - 4 / A - 20		
○ - ESV/ESV-Z3	A - 8 / A - 19		
● - KBA-511A	C - 12	November, 1999	1 Year
● - KBA-611	C - 22	November, 1999	1 Year
○ - KBA-511A	C - 13		
○ - KBA-611	C - 19		
○ - KBA-511A	C - 11		
○ - KBA-611	C - 21		
○ - Cable	H - 1		
○ - Cable	H - 2		
● - Cable	H - 5	November, 1999	1 Year
○ - Cable	H - 6		

#### Environmental conditions:

Temperature: 21 °C      Humidity: 33 %

### Electromagnetic Field Radiated Emission Measurement

was performed in horizontal and vertical polarization, in the frequency range of 1 GHz - 2 GHz, in the following test site.

#### Test location:

KITA-KANSAI Testing Center

7-7, Ishimaru, 1-Chome, Mino-Shi, Osaka, 562-0027, Japan

● - 1st site (3 meters)

○ - 2nd site (3 meters)

KAMEOKA EMC Branch

9-1, Ozaki, Inukanno, Nishibetsuin-Cho, Kameoka-Shi, Kyoto, 621-0126, Japan

○ - Open test site      ○ - 3 m      ○ - 10 m      ○ - 30 m

#### Used test instruments:

Model No.	Device ID	Last Cal. Date	Cal. Interval
● - 8566B	A - 13	November, 1999	1 Year
○ - 8593A	A - 15		
○ - ESV	A - 4		
● - 4T-10	D - 73	May, 1999	1 Year
○ - 4T-10	D - 74		
● - WJ-6611-513	A - 23	May, 1999	1 Year
● - WJ-6882-824	A - 21	May, 1999	1 Year
● - DBL-0618N515	A - 33	October, 1999	1 Year
● - 91888-2	C - 41 - 1	May, 1999	1 Year
● - 91889-2	C - 41 - 2	May, 1999	1 Year
● - 94613-1	C - 41 - 3	May, 1999	1 Year
● - 91891-2	C - 41 - 4	May, 1999	1 Year
○ - 94614-1	C - 41 - 5		
○ - 3160-09	C - 48		
○ - 355C	D - 22		
○ - 355D	D - 23		
○ - 8494H/8595H	D - 76		
○ - MZ5010C	D - 81		
● - Cable	C - 40 - 11	May, 1999	1 Year
● - Cable	C - 40 - 12	May, 1999	1 Year

#### Environmental conditions:

Temperature: 21 °C      Humidity: 33 %

### Emission within the Frequency Band Measurement

was performed in the frequency range of 902 MHz - 928 MHz, in the following test site.

#### Test location:

KITA-KANSAI Testing Center

7-7, Ishimaru, 1-Chome, Mino-Shi, Osaka, 562-0027, Japan

● - Shielded room

KAMEOKA EMC Branch

9-1, Ozaki, Inukanno, Nishibetsuin-Cho, Kameoka-Shi, Kyoto, 621-0126, Japan

○ - Shielded room

○ - On metal plane of open site

#### Used test instruments:

Model No.	Device ID	Last Cal. Date	Cal. Interval
○ - 8568B	A - 10		
● - 8566B	A - 13	November, 1999	1 Year
○ - 8593A	A - 15		
● - TR5212	B - 30	March, 1999	1 Year
○ - KBA-511A	C - 16		
● - KBA-611	C - 18	November, 1999	1 Year
○ - 2-10	D - 40		
● - 355C	D - 22	March, 1999	1 Year
● - 355D	D - 23	March, 1999	1 Year
○ - 8494H/8595H	D - 76		

#### Environmental conditions:

Temperature: 18 °C      Humidity: 45 %

**CONFIGURATION OF EUT**

**The Equipment Under Test (EUT) consists of:**

Description	Applicant (Manufacturer)	Model No. (Serial No.)	FCC ID
Facsimile with Cordless Telephone (900 MHz) - Handset	Kyushu Matsushita Electric Co., Ltd. (Kyushu Matsushita Electric Co., Ltd.)	KX-FPC91 (--)	ACJKM7KX-FPC91

**The measurement was carried out with the following equipment connected:**

Description	Grantee/Distributor	Model No. (Serial No.)	FCC ID
None			

**Type of Interference Cable(s) and the AC Power Cord used with the EUT:**

	Description	Port	Shielded Cable	Shell Material	Ferrite Core	Cable Length
	None					

### **Operation - mode of the EUT:**

The test was performed under following specification:

- 1) Conducted emission and radiated emission measurement  
Communicate (transmit and receive) with the Base Unit.
- 2) Measurement with the emission within the frequency band  
Input the 2.5 kHz sine wave from a microphone terminal.

### **Test system:**

The EUT has no interface port.

### **Special accessories:**

None

### **The used (generated) frequencies in the EUT:**

Transmitting Frequency : 926.100 MHz - 927.550 MHz

1st Local Frequency : 891.400 MHz - 892.850 MHz  
(Receiving Frequency : 902.100 MHz - 903.550 MHz)

2nd Local Frequency : 10.25 MHz

1st IF : 10.7 MHz (lower)  
2nd IF : 450 kHz (lower)

Other : 3.992 MHz, 32.768 kHz

**EUT Modification**

- - No modifications were conducted by JQA to achieve compliance to applied levels.
- - To achieve compliance to applied levels, the following change(s) were made by JQA during the compliance test.

The modification(s) will be implemented in all production models of this equipment.

Applicant :  N/A  Date :  N/A   
Typed Name :  N/A  Position :  N/A

**Responsible Party**

Responsible Party of Test Item(Product)

Responsible party :

Contact Person :

\_\_\_\_\_  
Signatory

**Deviation from standard**

- - No deviations from the standard described in page 3.
- - The following deviations were employed from the standard described in page 3.

\_\_\_\_\_  
\_\_\_\_\_

**TEST RESULTS**

**Transmitter Portion :**

**AC Powerline Conducted Emission 450 kHz - 30 MHz**

The requirements are	<input type="radio"/> - Passed	<input type="radio"/> - Not Passed
Min. limit margin	_____ dB	at _____ MHz
Max. limit exceeding	_____ dB	at _____ MHz
Uncertainty of measurement results	_____ dB(2 $\sigma$ )	_____ dB(2 $\sigma$ )

**Remarks:** Not Applicable

---

**Electromagnetic Field Radiated Emission 9 kHz - 10 GHz**

The requirements are	<input checked="" type="radio"/> - Passed	<input type="radio"/> - Not Passed
Min. limit margin	<u>7.0</u> dB	at <u>926.100</u> MHz
Max. limit exceeding	_____ dB	at _____ MHz
Uncertainty of measurement results ( $\leq 30$ MHz)	<u>+ 2.5</u> dB(2 $\sigma$ )	<u>- 2.5</u> dB(2 $\sigma$ )
Uncertainty of measurement results (30 MHz - 1000 MHz)	<u>+ 4.1</u> dB(2 $\sigma$ )	<u>- 4.2</u> dB(2 $\sigma$ )
Uncertainty of measurement results ( $\geq 1000$ MHz)	<u>+ 3.1</u> dB(2 $\sigma$ )	<u>- 3.2</u> dB(2 $\sigma$ )

**Remarks:** \_\_\_\_\_

---

**Emission within the Frequency Band 902 MHz - 928 MHz**

The requirements are	<input checked="" type="radio"/> - Passed	<input type="radio"/> - Not Passed
Results	Refer to	<u>24 - 25</u> pages
Uncertainty of measurement results		<u><math>\pm 0.05</math></u> ppm

**Remarks:** \_\_\_\_\_

---

**Receiver Portion :**

**AC Powerline Conducted Emission 450 kHz - 30 MHz**

The requirements are	<input type="radio"/> - Passed	<input type="radio"/> - Not Passed
Min. limit margin	_____ dB	at _____ MHz
Max. limit exceeding	_____ dB	at _____ MHz
Uncertainty of measurement results	_____ dB(2 $\sigma$ )	_____ dB(2 $\sigma$ )

**Remarks:** Not Applicable

---

**Electromagnetic Field Radiated Emission 30 MHz - 2 GHz**

The requirements are	<input checked="" type="radio"/> - Passed	<input type="radio"/> - Not Passed
Min. limit margin	More than <u>20.5</u> dB	at <u>892.850</u> MHz
Max. limit exceeding	_____ dB	at _____ MHz
Uncertainty of measurement results ( $\leq$ 1000 MHz)	<u>+ 4.1</u> dB(2 $\sigma$ )	<u>- 4.2</u> dB(2 $\sigma$ )
Uncertainty of measurement results ( $\geq$ 1000 MHz)	<u>+ 3.1</u> dB(2 $\sigma$ )	<u>- 3.2</u> dB(2 $\sigma$ )

**Remarks:** \_\_\_\_\_

---

## SUMMARY

### GENERAL REMARKS :

The EUT was tested according to the requirements of FCC Rules and Regulations Part 15 Subpart A, B and C (April 16, 1999) under the test configuration, as shown in page 15.

The conclusion for the test items of which are required by the applied regulation is indicated under the final judgement.

### FINAL JUDGEMENT :

The "as received" sample;

- - fulfill the test requirements of the regulation mentioned on page 3.
- - fulfill the test requirements of the regulation mentioned on page 3, but with certain qualifications.
- - doesn't fulfill the test regulation mentioned on page 3.

Begin of testing : February 29, 2000

End of testing : March 4, 2000

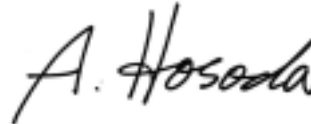
- JAPAN QUALITY ASSURANCE ORGANIZATION -

Approved by :



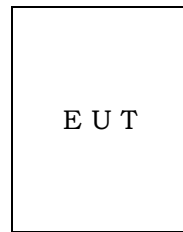
Takashi Yamanaka  
Manager  
EMC Div.  
JQA KITA-KANSAI Testing Center

Issued by :



Akio Hosoda  
Project Manager  
EMC Div.  
JQA KITA-KANSAI Testing Center

**Test System-Arrangement (Drawings)**



Power Supply DC 3.6 V  
( Ni-Cd Battery Pack KX-A36 )

### Preliminary Test and Test-setup(Drawings)

#### Radiated Emission (Magnetic Field) 9 kHz - 30 MHz:

The preliminary test was performed according to the description of ANSI C63.4-1992 Sec.8.3.1.1 (Preliminary Radiated Emissions Tests) and Sec.6.2.1 (Tabletop Equipment Tests).

The preliminary test was carried out to investigate the frequency of the emission that has the highest amplitude relative to the limits within normal operating modes, cable positions, and a typical system configuration. In order to find out to the maximum emission, the preliminary test and a final test were performed in accordance with the following steps.

Step 1: One operation mode of the test system was setting.

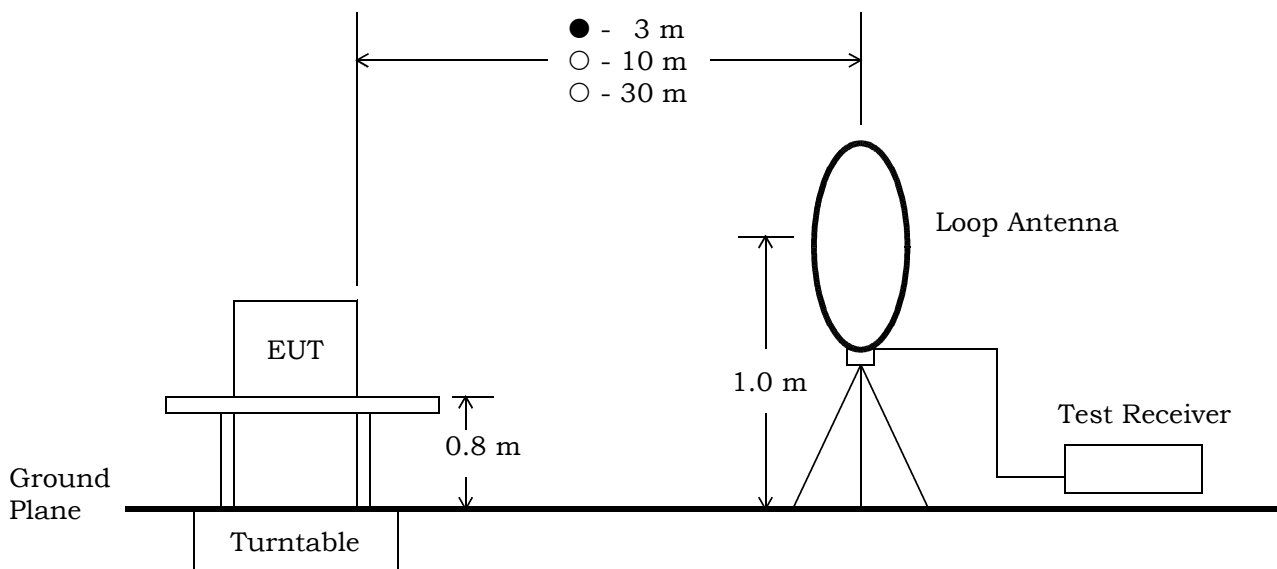
Step 2: In order to investigate the frequencies of maximum emissions, the loop antenna position was approached to the EUT and the significant frequency of the emission's circumstance from the test system were investigated. These data were recorded in the specified frequency band (9 kHz - 30 MHz).

Step 3: Using a test receiver and a loop antenna, the emission's circumstance from the test system was measured in according with ANSI C63.4-1992 Sec.8.3.1.2 (Final Radiated Emissions Tests) at each frequency which was found the higher emission referred to level vs. frequency on the list and which was measured by the loop antenna. The maximum emission was found by rotating three orthogonal axes under a typical system configuration.

Step 4: Return to step 1, if the other operation mode was possible to be setting.

Step 5: The worst result was reported arranging data of which was obtained and performed by one or plural operation modes as the final test.

At the worst point that has the highest amplitude relative to the limit the repeatability of the level was reconfirmed. The photographs of the tests system setup on the worst point were taken and recorded.



Electromagnetic Field Radiated Emission 30 MHz - 1000 MHz:

The preliminary test was performed according to the description of ANSI C63.4-1992 Sec.8.3.1.1 (Preliminary Radiated Emissions Tests) and Sec.6.2.1 (Tabletop Equipment Tests).

The preliminary test was carried out to investigate the frequency of the emission that has the highest amplitude relative to the limits within normal operating modes, cable positions, and a typical system configuration. In order to find out to the maximum emission, the preliminary test and a final test were performed in accordance with the following steps.

Step 1: One operation mode of the test system was setting.

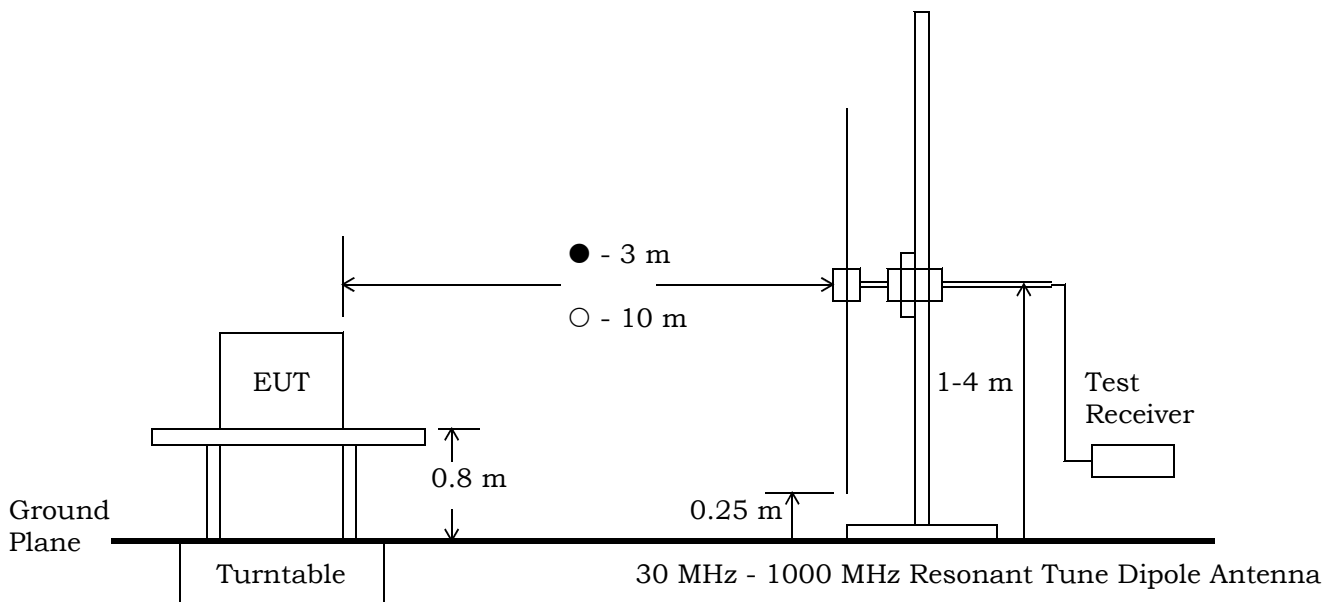
Step 2: Using a test receiver and a test antenna probe, the significant frequency of the emission's circumstance from the test system were investigated. These data were recorded every one of 22 divided bands in the specified frequency band (30 MHz - 1000 MHz).

Step 3: Using a test receiver and a resonant tuned dipole antenna, the emission's circumstance from the test system was measured in according with ANSI C63.4-1992 Sec.8.3.1.2 (Final Radiated Emissions Tests) at each frequency which was found the higher emission referred to level vs. frequency on the list and which was measured by the resonant tuned dipole antenna. The maximum emission was found by rotating three orthogonal axes under a typical system configuration.

Step 4: Return to step 1, if the other operation mode was possible to be setting.

Step 5: The worst result was reported arranging data of which was obtained and performed by one or plural operation modes as the final test.

At the worst point that has the highest amplitude relative to the limit the repeatability of the level was reconfirmed. The photographs of the tests system setup on the worst point were taken and recorded.



Electromagnetic Field Radiated Emission 1 GHz - 10 GHz:

The preliminary test was performed according to the description of ANSI C63.4-1992 Sec.8.3.1.1 (Preliminary Radiated Emissions Tests) and Sec.6.2.1 (Tabletop Equipment Tests).

The preliminary test was carried out to investigate the frequency of the emission that has the highest amplitude relative to the limits within normal operating modes, cable positions, and a typical system configuration. In order to find out to the maximum emission, the preliminary test and a final test were performed in accordance with the following steps.

Step 1: One operation mode of the test system was setting.

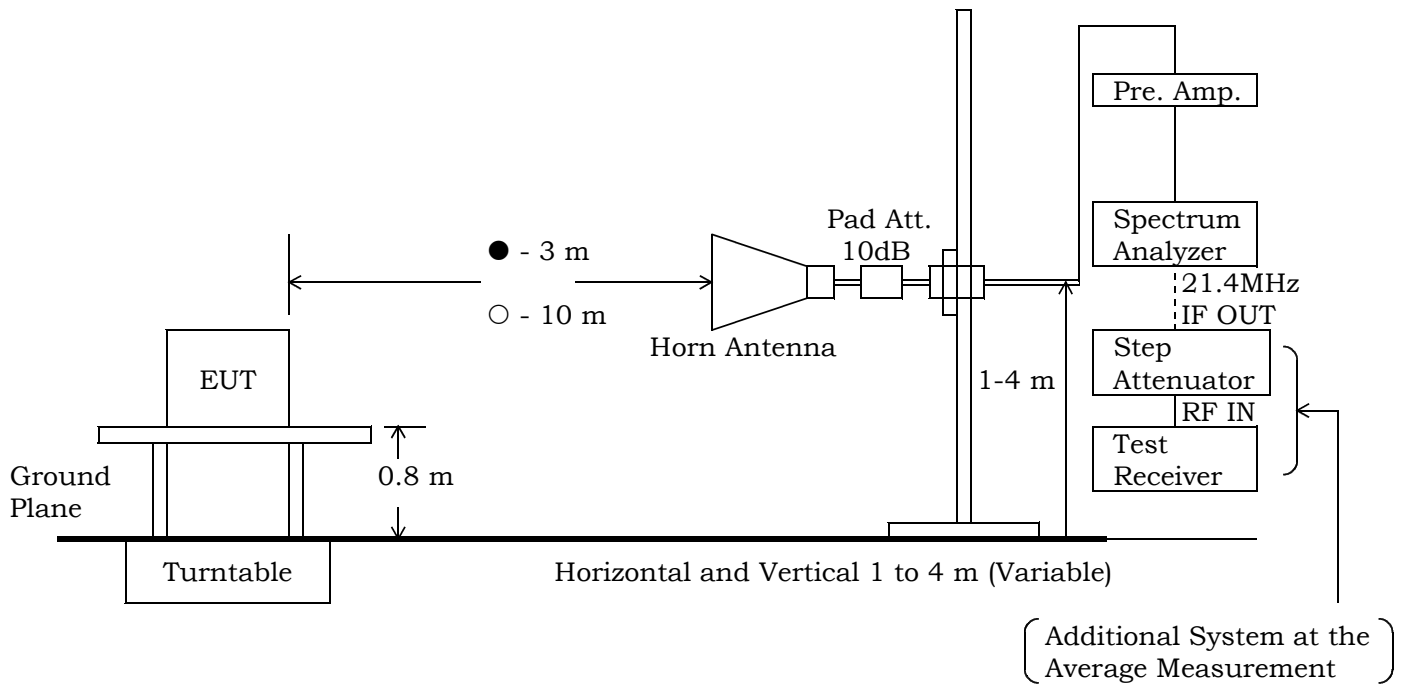
Step 2: In order to investigate the frequencies of maximum emissions, the horn antenna position was approached to the EUT and the significant frequency of the emission's circumstance from the test system were investigated. These data were recorded in the specified frequency band (1 GHz - 10 GHz).

Step 3: The emission's circumstance from the test system was measured in accordance with ANSI C63.4-1992, Sec.8.3.1.2 (Final Radiated Emissions Tests) at each frequency which was found higher emission referred to level vs. frequency on the list and which was measured in the specified distance using the horn antenna.

Step 4: Return to step 1, if the other operation mode was possible to be setting.

Step 5: The worst result was reported arranging data of which was obtained and performed by one or plural operation modes as the final test.

At the worst point that has the highest amplitude relative to the limit the repeatability of the level was reconfirmed. The photographs of the tests system setup on the worst point were taken and recorded.



Spectrum Analyzer Setting:

Detector	Peak	*)Average
RES BW	1 MHz	3 MHz
VIDEO BW	1 MHz	3 MHz
SPAN	0 Hz	0 Hz

Test Receiver Setting:

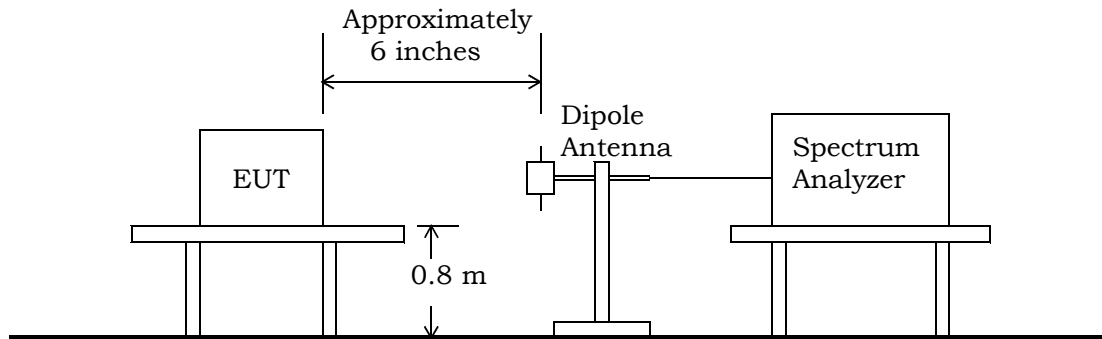
SCALE	LINEAR
I.F.B.W.	1 MHz
Detector	Average

\*) For the average measurement, it is made using a test receiver and a step attenuator.

Emission within the Frequency Band 902 MHz - 928 MHz:

The measurement of emission within the band 902 MHz - 928 MHz were made by a spectrum analyzer with a resonant tuned dipole antenna under the following modulation conditions of the transmitter under test.

Input Terminal : Microphone  
Input Signal : 2.5 kHz sine wave  
Input Level : 0.0 dBV



**Test-Setup (Photographs) at worst case**

Conducted Emission 450kHz - 30MHz:

Not Applicable

Radiated Emission 9kHz - 10GHz:



Vertical Polarization



Horizontal Polarization

**Electromagnetic Field Radiated Emission Measurement**  
 Intentional Radiator

Test Date: February 29, 2000  
 Temp.: 21 °C ; Humi.: 33 %

**Transmitting Frequency : 926.100 MHz (1 ch)**

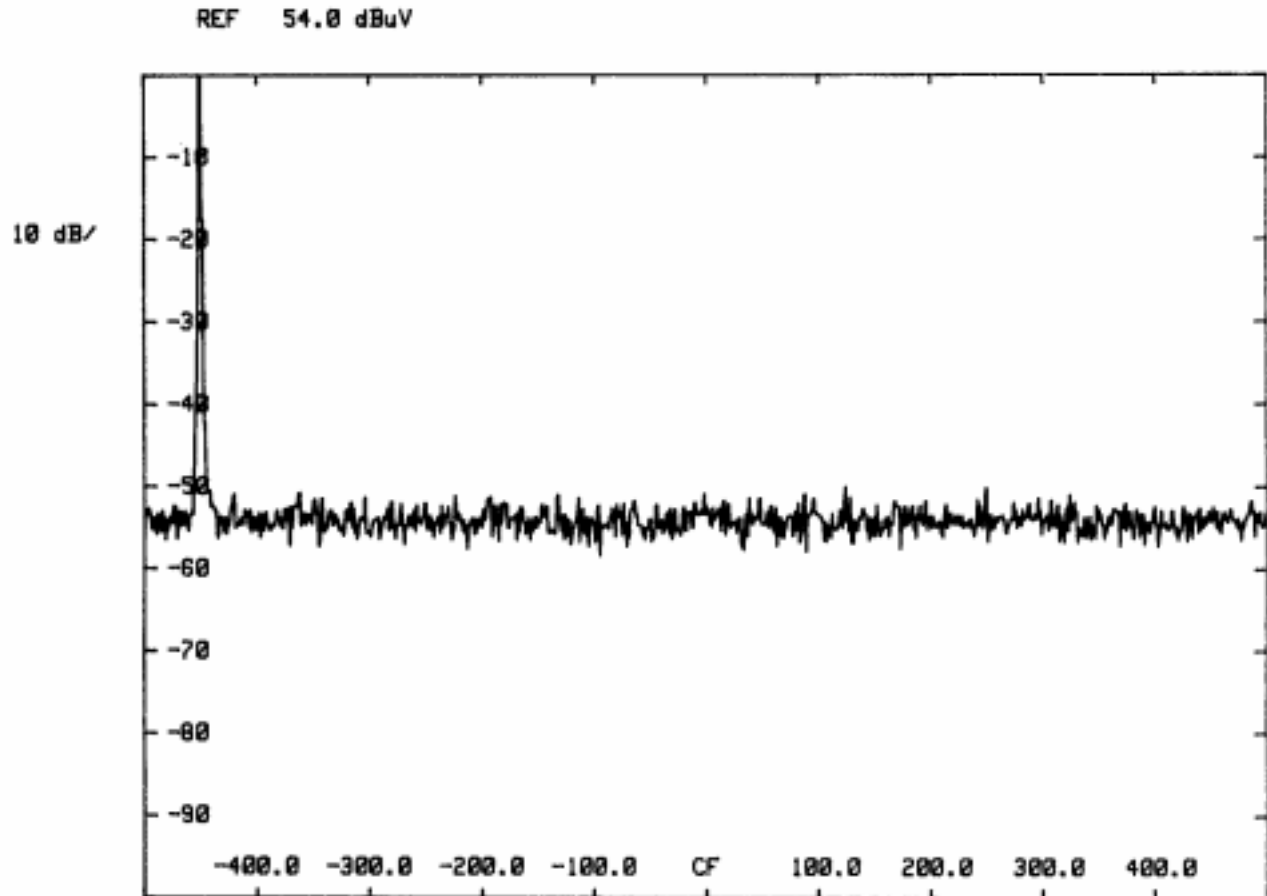
Frequency [MHz]	Antenna Factor [dB(1/m)]	Corr. Factor [dB]	Meter Readings [dB(μV)]		Limits [dB(μV/m)]	Results [dB(μV/m)]		Margin [dB]	Remarks (Note 2)
			Hori.	Vert.		Hori.	Vert.		
<b>Fundamental</b>									
926.100	29.2	6.8	51.0	51.0	94.0	87.0	87.0	+ 7.0	C
<b>Harmonics</b>									
1852.200	21.6	-38.6	50.0	44.0	54.0	33.0	27.0	+21.0	D
2778.300	21.5	-31.5	<20.0	<20.0	54.0	<10.0	<10.0	>+44.0	D
3704.400	34.4	-30.9	<20.0	<20.0	54.0	<23.5	<23.5	>+30.5	D
4630.500	36.2	-31.1	<20.0	<20.0	54.0	<25.1	<25.1	>+28.9	D
5556.600	37.0	-31.0	<20.0	<20.0	54.0	<26.0	<26.0	>+28.0	D
6482.700	36.4	-30.0	<20.0	<20.0	54.0	<26.4	<26.4	>+27.6	D
7408.800	37.1	-29.4	<20.0	<20.0	54.0	<27.7	<27.7	>+26.3	D
8334.900	40.8	-28.4	<20.0	<20.0	54.0	<32.4	<32.4	>+21.6	D
9261.000	39.4	-27.6	<20.0	<20.0	54.0	<31.8	<31.8	>+22.2	D
<b>Spurious</b>									
463.050	22.5	4.5	9.0	11.0	46.0	36.0	38.0	+ 8.0	C
1389.150	21.4	-34.8	30.0	30.0	54.0	16.6	16.6	+37.4	D
2315.250	21.4	-31.8	<20.0	<20.0	54.0	< 9.6	< 9.6	>+44.4	D
3241.350	21.9	-31.1	<20.0	<20.0	54.0	<10.8	<10.8	>+43.2	D
4167.450	35.2	-30.8	<20.0	<20.0	54.0	<24.4	<24.4	>+29.6	D
5093.550	37.0	-31.4	<20.0	<20.0	54.0	<25.6	<25.6	>+28.4	D
6019.650	36.8	-30.2	<20.0	<20.0	54.0	<26.6	<26.6	>+27.4	D
6945.750	36.5	-30.0	<20.0	<20.0	54.0	<26.5	<26.5	>+27.5	D
7871.850	41.0	-28.8	<20.0	<20.0	54.0	<32.2	<32.2	>+21.8	D
8797.950	40.7	-27.9	<20.0	<20.0	54.0	<32.8	<32.8	>+21.2	D

**Transmitting Frequency : 927.550 MHz (30 ch)**

Frequency [MHz]	Antenna Factor [dB(1/m)]	Corr. Factor [dB]	Meter Readings [dB(μV)]		Limits [dB(μV/m)]	Results [dB(μV/m)]		Margin [dB]	Remarks (Note 2)
			Hori.	Vert.		Hori.	Vert.		
<b>Fundamental</b>									
927.550	29.2	6.8	50.0	50.0	94.0	86.0	86.0	+ 8.0	C
<b>Harmonics</b>									
1855.100	21.6	-38.6	53.0	47.0	54.0	36.0	30.0	+18.0	D
2782.650	21.5	-31.5	<20.0	<20.0	54.0	<10.0	<10.0	>+44.0	D
3710.200	34.4	-30.9	<20.0	<20.0	54.0	<23.5	<23.5	>+30.5	D
4637.750	36.2	-31.1	<20.0	<20.0	54.0	<25.1	<25.1	>+28.9	D
5565.300	37.1	-31.0	<20.0	<20.0	54.0	<26.1	<26.1	>+27.9	D
6492.850	36.4	-30.0	<20.0	<20.0	54.0	<26.4	<26.4	>+27.6	D
7420.400	37.2	-29.4	<20.0	<20.0	54.0	<27.8	<27.8	>+26.2	D
8347.950	40.8	-28.4	<20.0	<20.0	54.0	<32.4	<32.4	>+21.6	D
9275.500	39.4	-27.6	<20.0	<20.0	54.0	<31.8	<31.8	>+22.2	D
<b>Spurious</b>									
463.775	22.6	4.5	9.0	11.0	46.0	36.1	38.1	+ 7.9	C
1391.325	21.4	-34.8	31.0	29.0	54.0	17.6	15.6	+36.4	D
2318.875	21.4	-31.8	<20.0	<20.0	54.0	< 9.6	< 9.6	>+44.4	D
3246.425	21.9	-31.1	<20.0	<20.0	54.0	<10.8	<10.8	>+43.2	D
4173.975	35.2	-30.8	<20.0	<20.0	54.0	<24.4	<24.4	>+29.6	D
5101.525	37.0	-31.3	<20.0	<20.0	54.0	<25.7	<25.7	>+28.3	D
6029.075	36.8	-30.2	<20.0	<20.0	54.0	<26.6	<26.6	>+27.4	D
6956.625	36.5	-30.0	<20.0	<20.0	54.0	<26.5	<26.5	>+27.5	D
7884.175	41.0	-28.8	<20.0	<20.0	54.0	<32.2	<32.2	>+21.8	D
8811.725	40.7	-27.9	<20.0	<20.0	54.0	<32.8	<32.8	>+21.2	D



### EMISSION LIMITATION



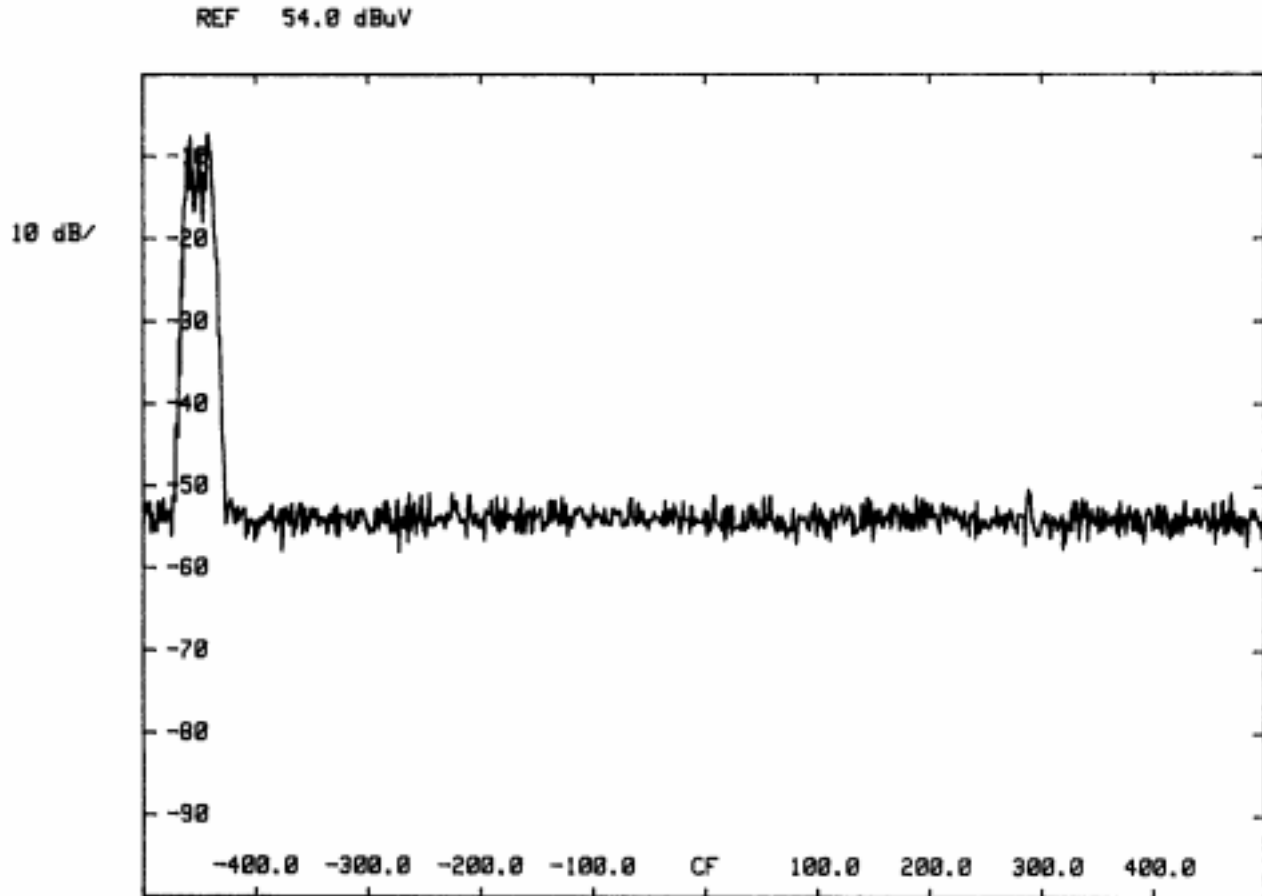
CENTER 920.0000 MHz  
RES BW .3 kHz

VBW 1 kHz

SPAN 1000.0 kHz  
SWP 10.0 sec

Reference Carrier Level

### EMISSION LIMITATION



CENTER 928.0000 MHz  
RES BW .3 kHz

VBW 1 kHz

SPAN 1000.0 kHz  
SWP 10.0 sec

Modulation: 2.5kHz TONE

**Electromagnetic Field Radiated Emission Measurement**  
 Receiver (employing superheterodyne techniques)

Test Date: March 1, 2000  
 Temp.: 18 °C ; Humi.: 36 %

**Receiving Frequency : 902.100 MHz (1 ch)**

Frequency [MHz]	Antenna Factor [dB(1/m)]	Corr. Factor [dB]	Meter Readings [dB(μV)]		Limits [dB(μV/m)]	Results [dB(μV/m)]		Margin [dB]	Remarks (Note 2)
			Hori.	Vert.		Hori.	Vert.		
445.700	22.2	4.4	-2.0	-3.0	46.0	24.6	23.6	+21.4	A
891.400	28.8	6.6	<-10.0	<-10.0	46.0	<25.4	<25.4	>+20.6	A
1337.100	21.4	-35.3	<30.0	<30.0	54.0	<16.1	<16.1	>+37.9	B
1782.800	21.4	-38.7	<30.0	<30.0	54.0	<12.7	<12.7	>+41.3	B

**Receiving Frequency : 903.550 MHz (30 ch)**

Frequency [MHz]	Antenna Factor [dB(1/m)]	Corr. Factor [dB]	Meter Readings [dB(μV)]		Limits [dB(μV/m)]	Results [dB(μV/m)]		Margin [dB]	Remarks (Note 2)
			Hori.	Vert.		Hori.	Vert.		
446.425	22.2	4.4	-2.0	-2.0	46.0	24.6	24.6	+21.4	A
892.850	28.8	6.7	<-10.0	<-10.0	46.0	<25.5	<25.5	>+20.5	A
1339.275	21.4	-35.2	<30.0	<30.0	54.0	<16.2	<16.2	>+37.8	B
1785.700	21.4	-38.8	<30.0	<30.0	54.0	<12.6	<12.6	>+41.4	B

Sample of calculated result at 892.850 MHz, as the Minimum Margin point:

Antenna Factor = 28.8 dB(1/m)  
 Corr. Factor = 6.7 dB  
 +) Meter Reading = <-10.0 dB(μV)  
 Result = <25.4 dB(μV/m)

Minimum Margin : 46.0 - <25.5 = >20.5(dB)

The point shown on “ \_\_\_ ” is the Minimum Margin Point.

Note 1:

- 1)The highest frequency generated or used in the EUT : 892.850 MHz
- 2)The upper frequency of measurement range : 1785.700 MHz
- 3)The spectrum was scanned 30 MHz to 2 GHz and all emissions not reported were more than 20 dB below the applied limits.
- 4)Corr. Factor [dB] (below 1 GHz) = Cable Loss [dB]  
 Corr. Factor [dB] (above 1 GHz) = Cable Loss [dB] + 10 dB Pad Attenuator [dB] - Pre-Amplifier Gain [dB]

**Remarks:**

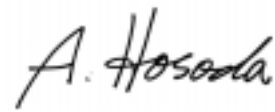
Note 2	Detector Function	IF Bandwidth
A	CISPR QP	120 kHz

Note 2	Detector Function	RES. B.W	V.B.W	Sweep T	Span
B	Peak (SP)	1 MHz	1 MHz	20 msec	0 Hz
C	Peak (SP)	100 kHz	100 kHz	20 msec	0 Hz
*) D	Average (ESV)	1 MHz (3 MHz)	3 MHz	20 msec	0 Hz

( ):Setting of spectrum analyzer

\*)For the average measurement method, it is made measurement using a test receiver, a step attenuator or and a spectrum analyzer(950523A).

Tester Signature : \_\_\_\_\_



Type Name : Akio Hosoda