

EXHIBIT E

EXHIBIT E

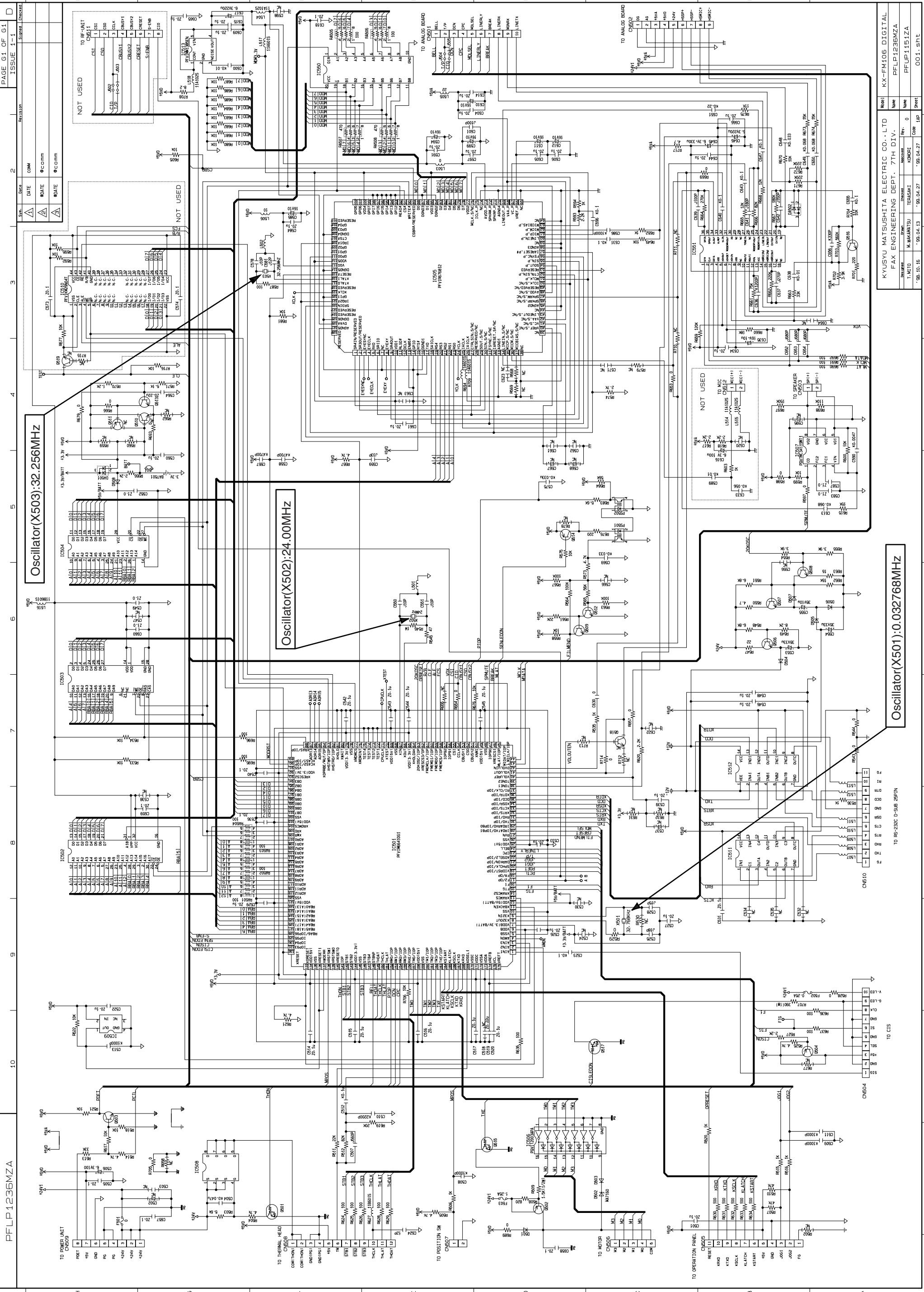
SCHEMATIC DIAGRAMS :

FIG. 1 : DIGITAL BOARD

FIG. 2 : ANALOG BOARD

FIG. 3 : POWER SUPPLY BOARD

FIG.1 DIGITAL BOARD



PAGE G1 OF G1
ISSUE 1-1

DATE
DATE
DATE
DATE

COAM
COAM
COAM
COAM

TO POWER UNIT
TO THERMAL HEAD
TO POSITION SW
TO MOTOR
TO OPERATION PANEL
TO MIC
TO SPEAKER
TO ANALOG BOARD
TO ANALOG BOARD

Oscillator(X503):32.256MHz

Oscillator(X502):24.00MHz

Oscillator(X501):0.032768MHz

TO RS-232C D-SUB 25PIN
TO CIS

NOT USED

NOT USED

KYUSU MATSUSHITA ELECTRIC CO., LTD
FAX ENGINEERING DEPT. 7TH DIV.
PFPLP1236MZA
PFPLP1151ZA
001-98T

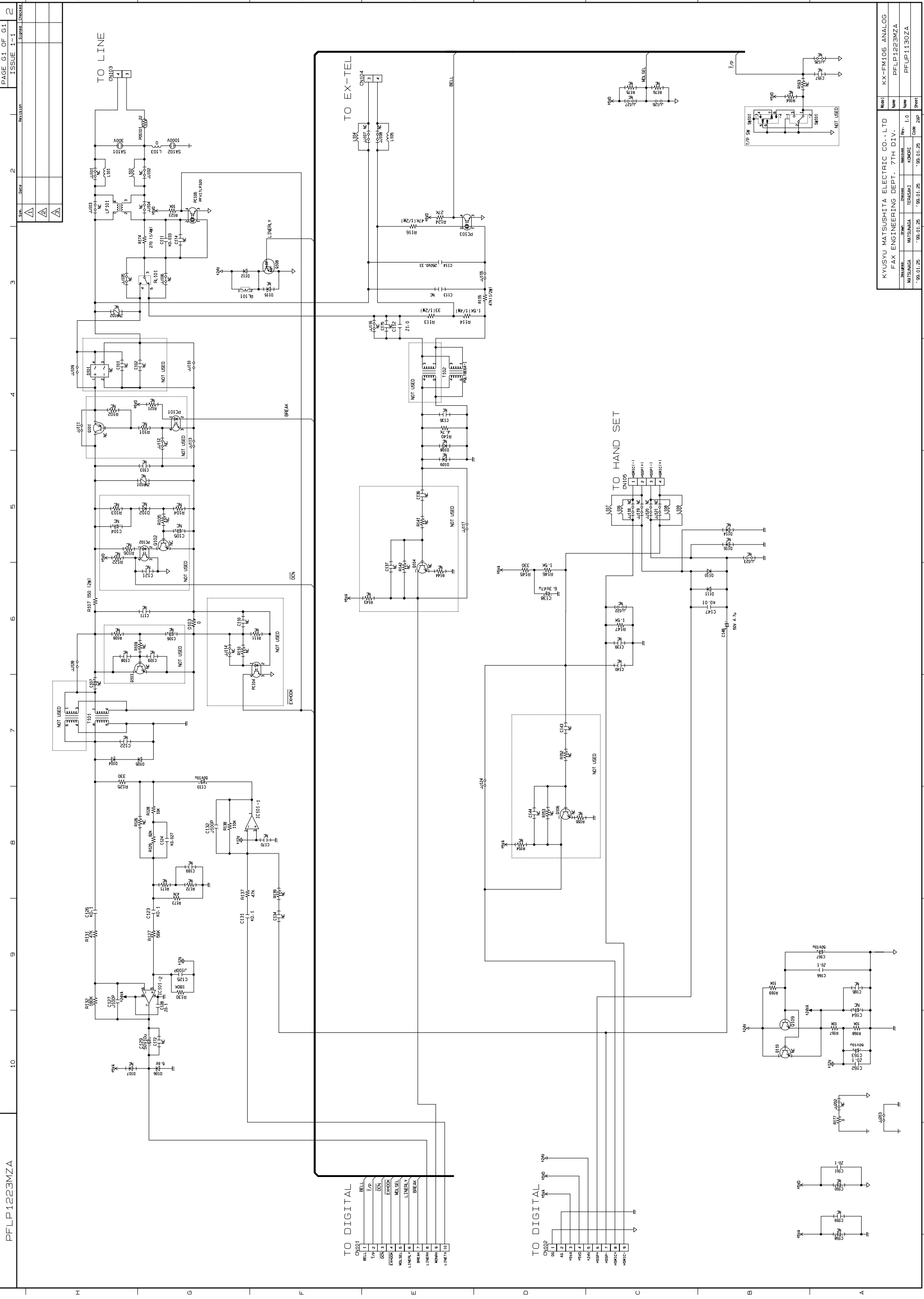
Rev. 0
KUMORI
95.04.27
95.04.27
95.10.16
95.04.13
95.04.27

Rev. 0
KUMORI
95.04.27
95.04.27
95.10.16
95.04.13
95.04.27

Rev. 0
KUMORI
95.04.27
95.04.27
95.10.16
95.04.13
95.04.27

Rev. 0
KUMORI
95.04.27
95.04.27
95.10.16
95.04.13
95.04.27

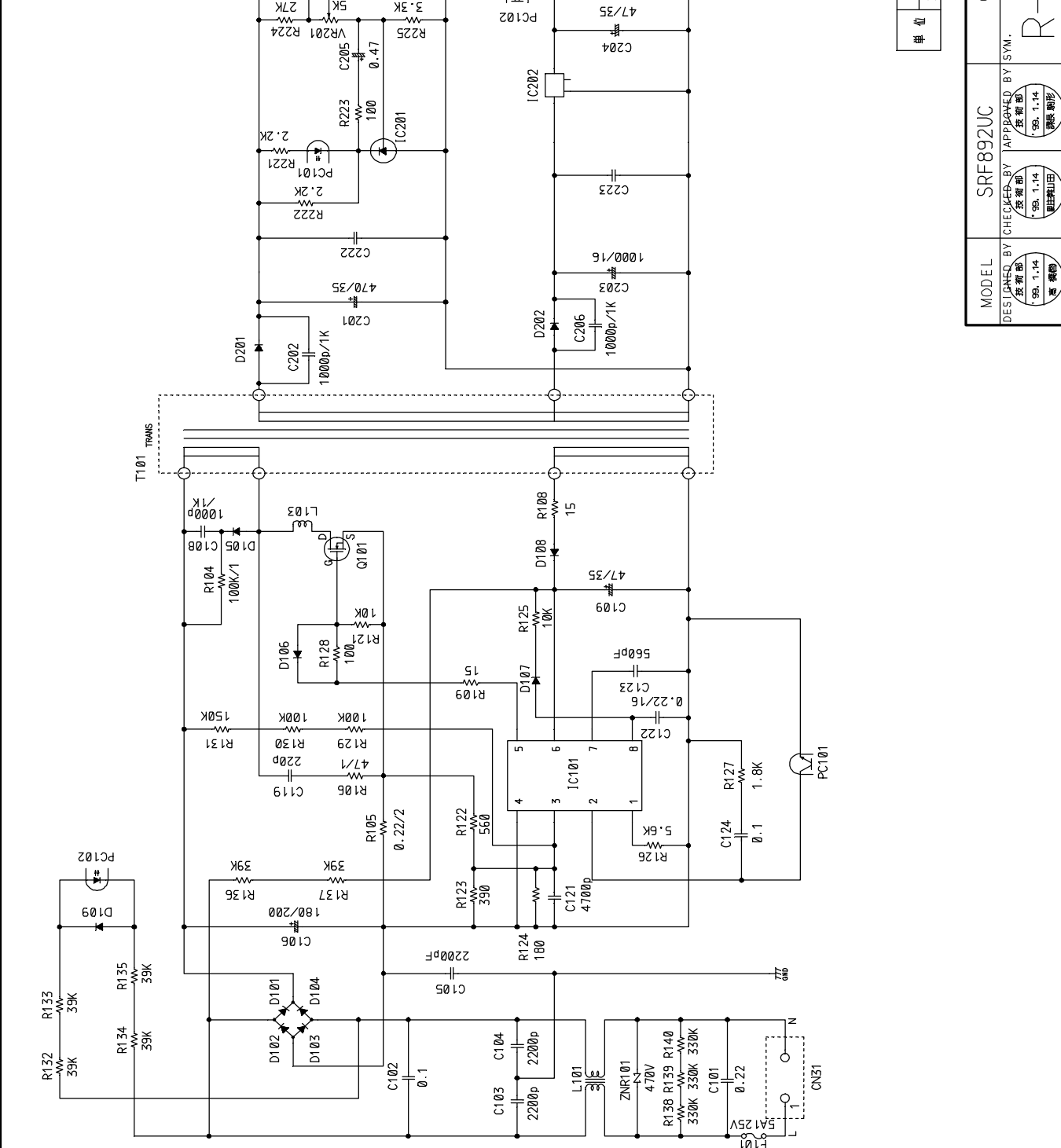
FIG. 2 ANALOG BOARD



Model	KX-FM105 ANALOG
Name	PFLP1223MZA
Company	KYUSU MATSUSHITA ELECTRIC CO., LTD.
Department	FAX ENGINEERING DEPT. 7TH DIV.
Drawn	MATSUNAGA
Checked	TERASAKI
Rev. 1.0	KOMORI
Date	'96.01.25
Code	'96.01.25
Sheet	2

Model	KX-FM105 ANALOG	Sheet	2
Name	PFLP1223MZA	Code	'96.01.25
Company	KYUSU MATSUSHITA ELECTRIC CO., LTD.	Date	'96.01.25
Department	FAX ENGINEERING DEPT. 7TH DIV.	Rev. 1.0	KOMORI
Drawn	MATSUNAGA	Checked	TERASAKI

SYM.	REVISION	DATE	NAME



CN301

1	2.4V
2	2.4V
3	2.4V
4	GND
5	GND
6	GND
7	5V
8	PON -

単位	抵抗	Ω/W (指示値はWは 1/4W)
	コンデンサ	μF/V (指示値はVは 50V)

MODEL SRF892UC

DESIGNED BY CHECKED BY APPROVED BY SYM. GROUP No. DWG.No.

作成者 田中 健一 承認者 田中 健一 検閲者 田中 健一

R-68 0892

MITSUMI ELEC. CO., LTD.

CIRCUIT DIAGRAM

FIG.3 POWER SUPPLY BOARD