

EXHIBIT E

E

## EXHIBIT E

### SCHEMATIC DIAGRAMS :

FIG. 1 : ENGINE BOARD

FIG. 2 : CONTROL BOARD

FIG. 3 : DIGITAL BOARD

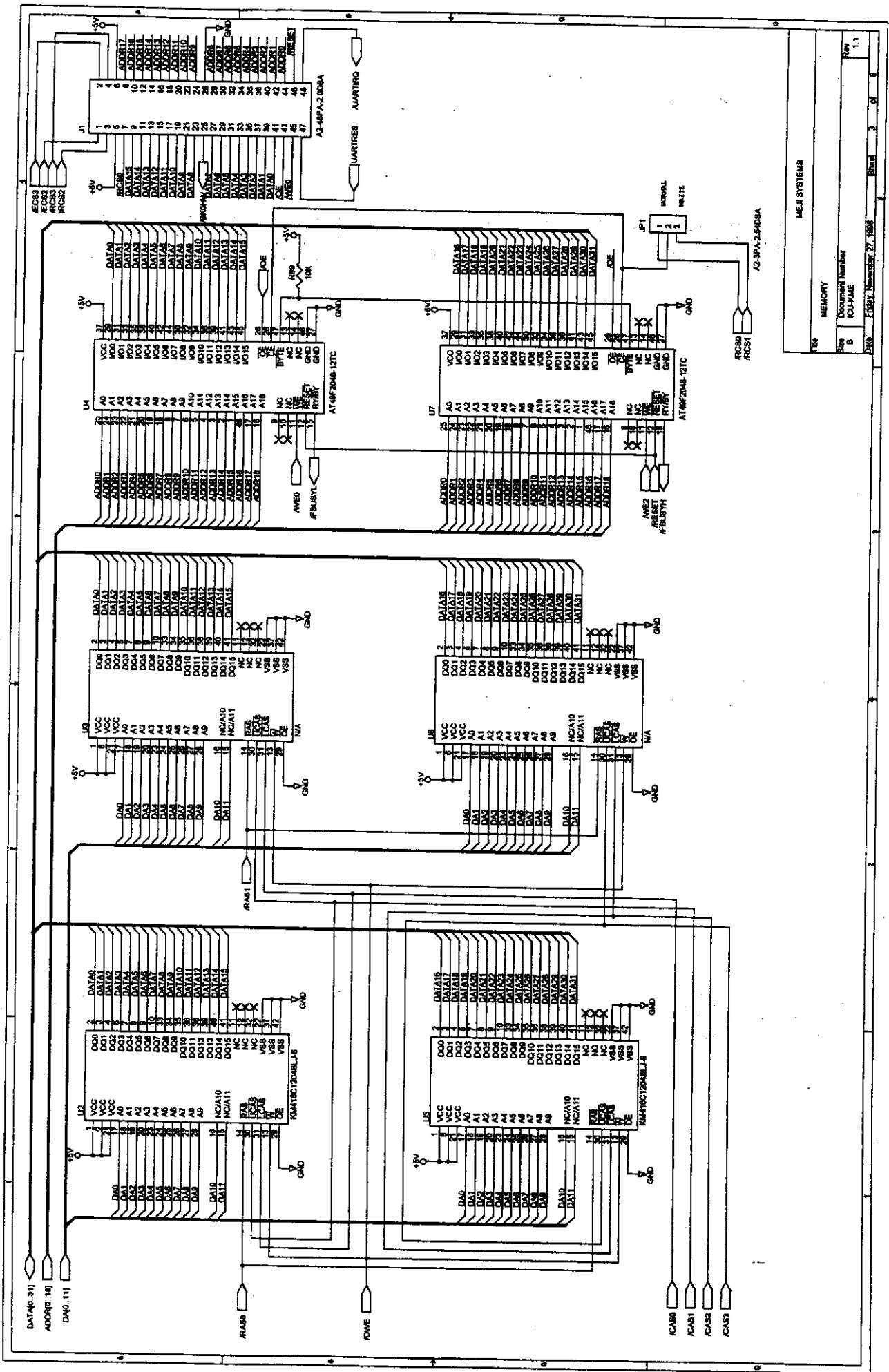
FIG. 4 : ANALOG BOARD

FIG. 5 : HIGH VOLTAGE BOARD

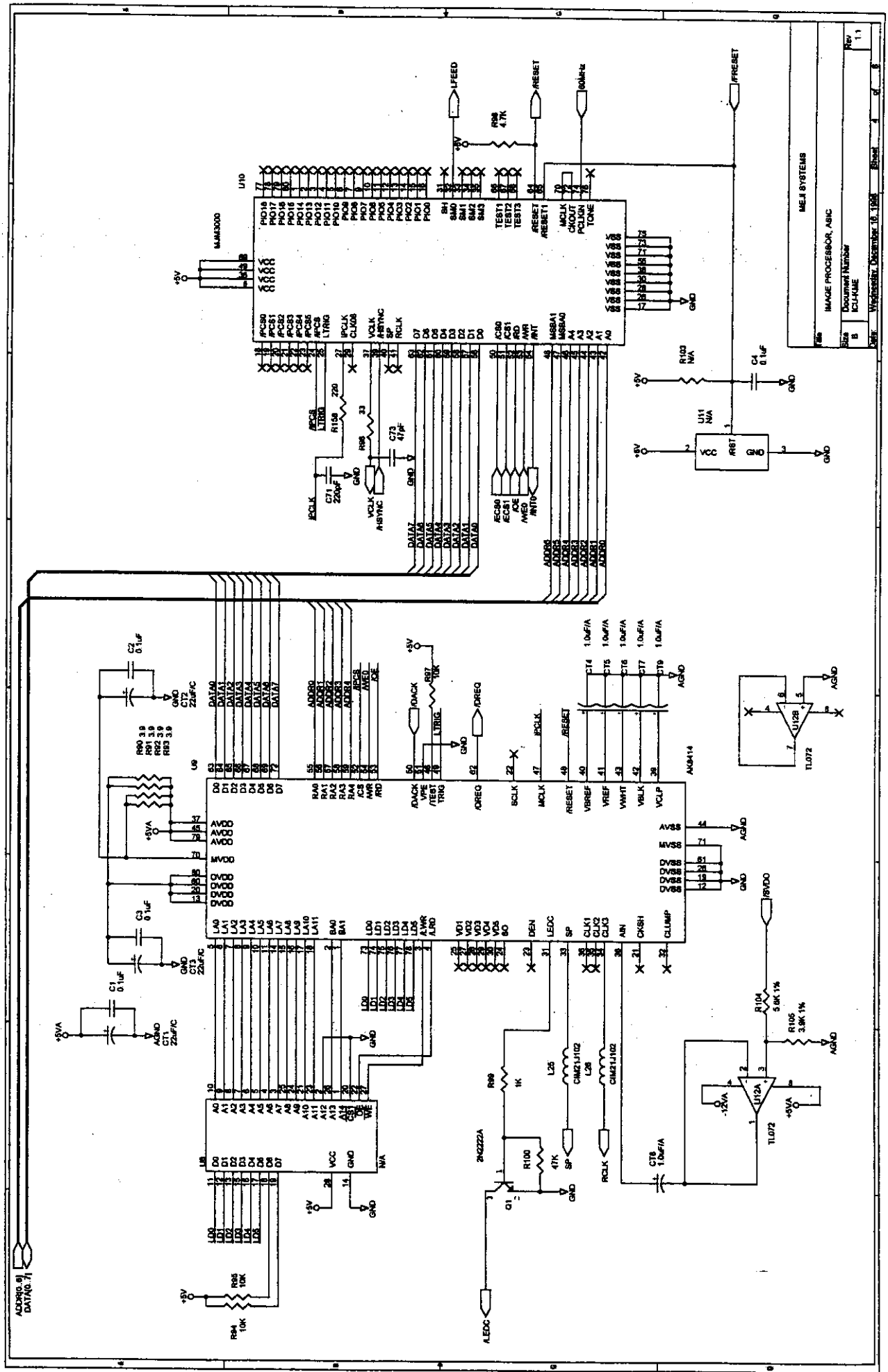
FIG. 6 : POWER SUPPLY BOARD







**FIG. 2 CONTROL BOARD - 3/6**



**FIG. 2 CONTROL BOARD - 4/6**

Rev	1.1
Doc	IMAGE PROCESSOR, ASIC
Doc	Document Number
Doc	ICU-HUE
Doc	REV
Doc	HEADSET, December 18, 1988
Doc	Sheet 4 of 8

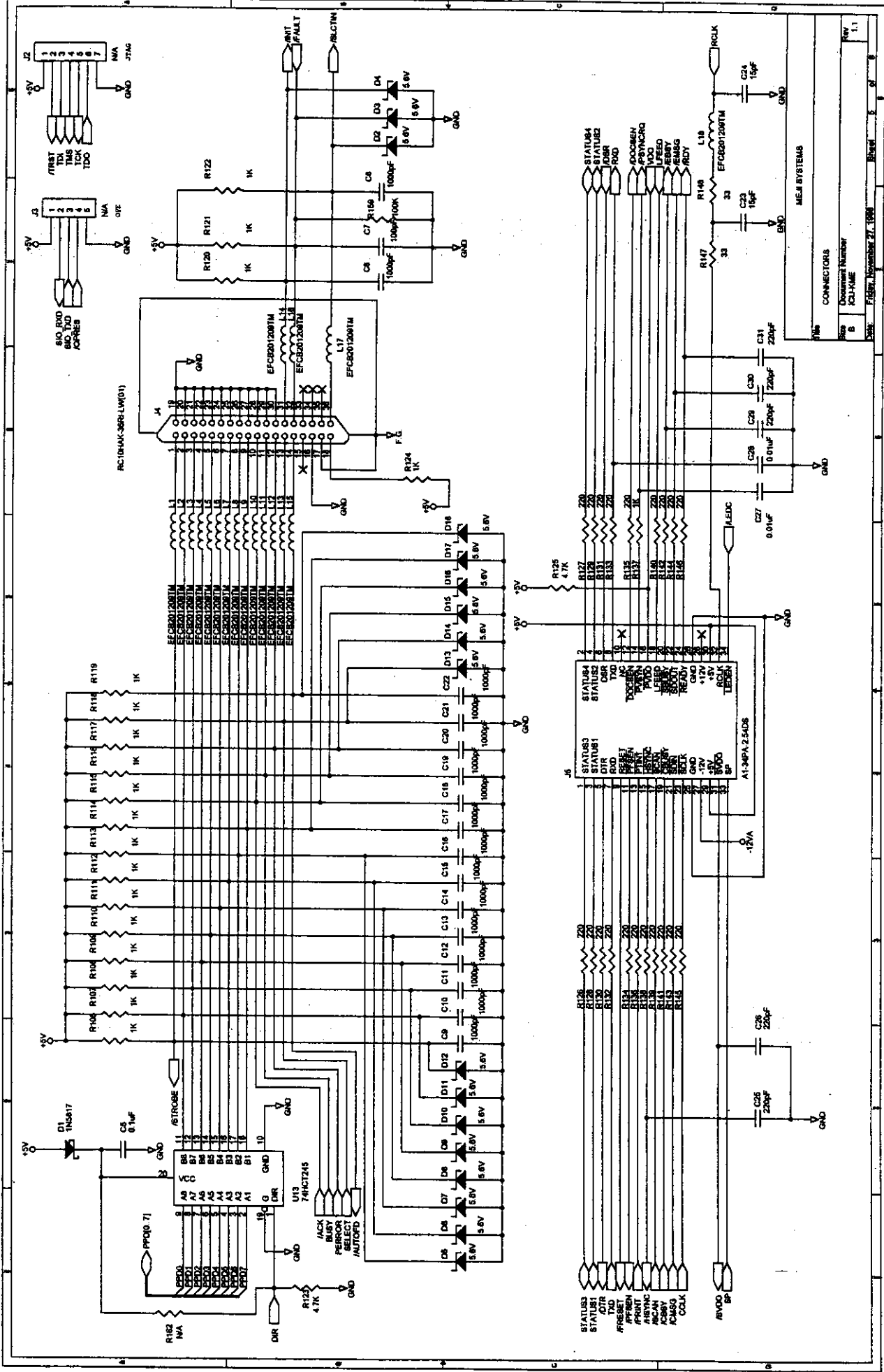
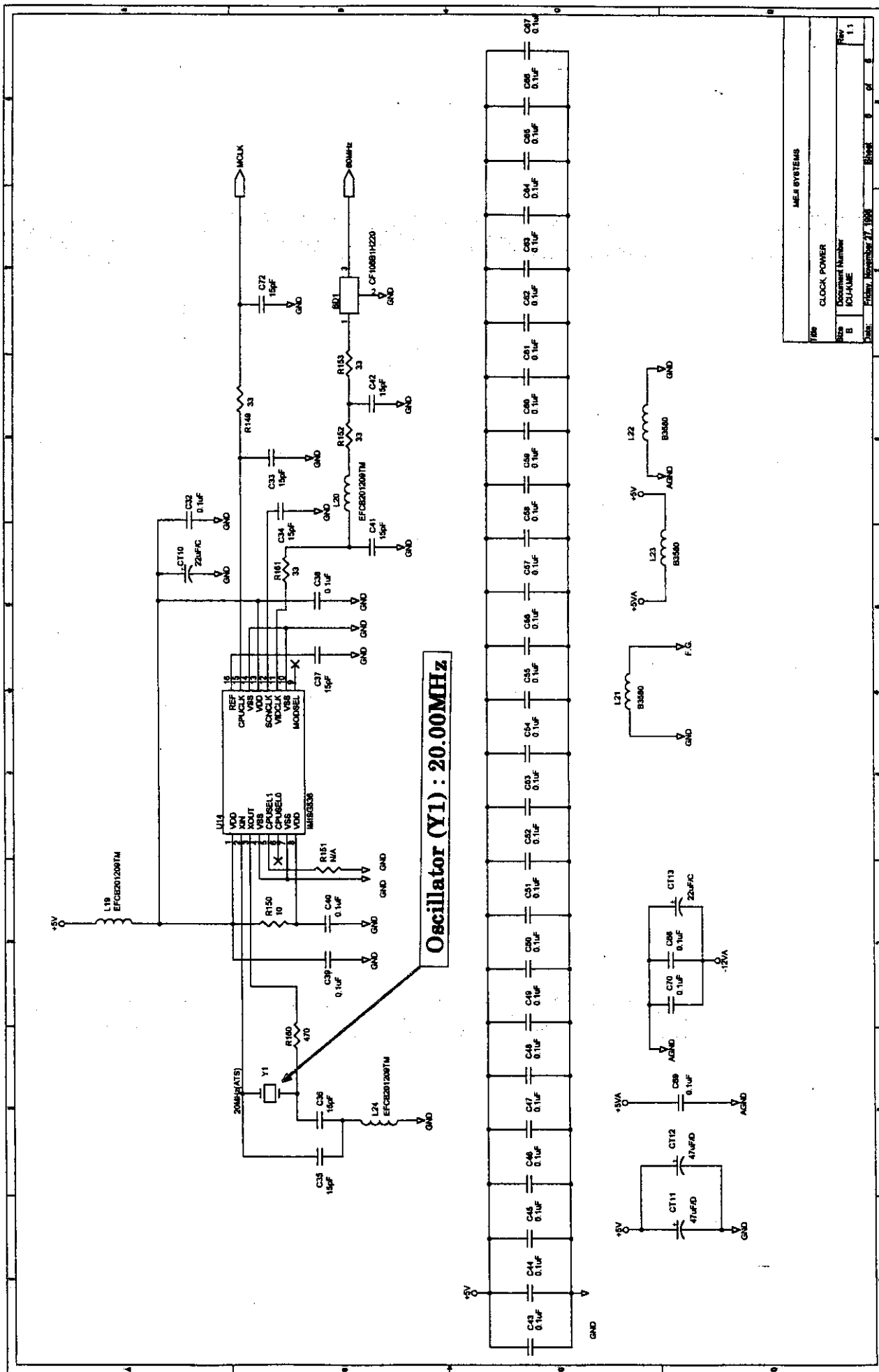


FIG. 2 CONTROL BOARD - 5/6

File	CONNECTORS
Rev	Document Number
B	KU-HME
DATE	FILED November 27, 1980
	Sheet
	5 of 6



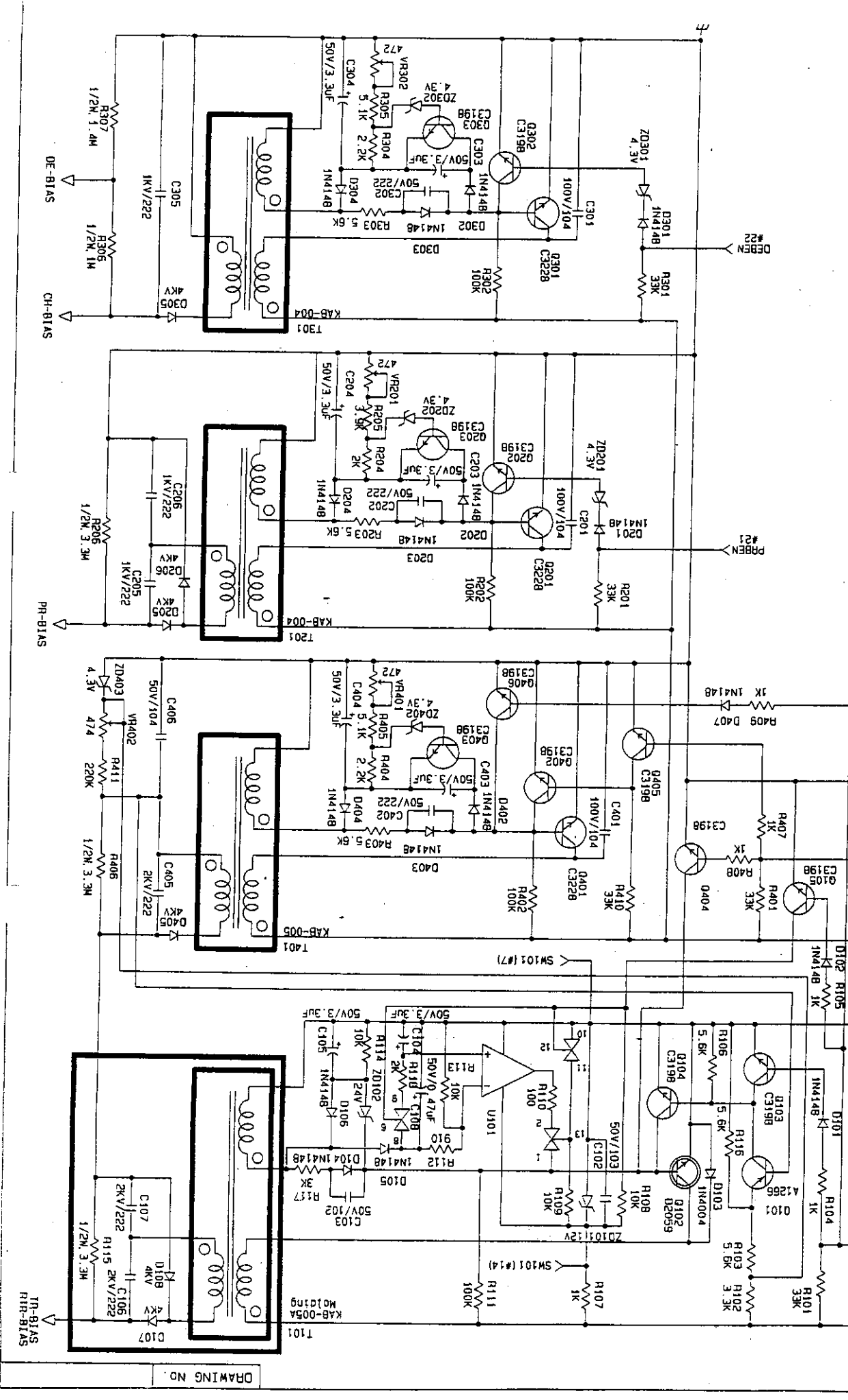
MEJA SYSTEMS	
TIME	CLOCK POWER
SIZE	Document Number
B	ICU-40ME
REV	1.1
DATE	Friday, November 27, 1998

**FIG. 2 CONTROL BOARD - 6/6**

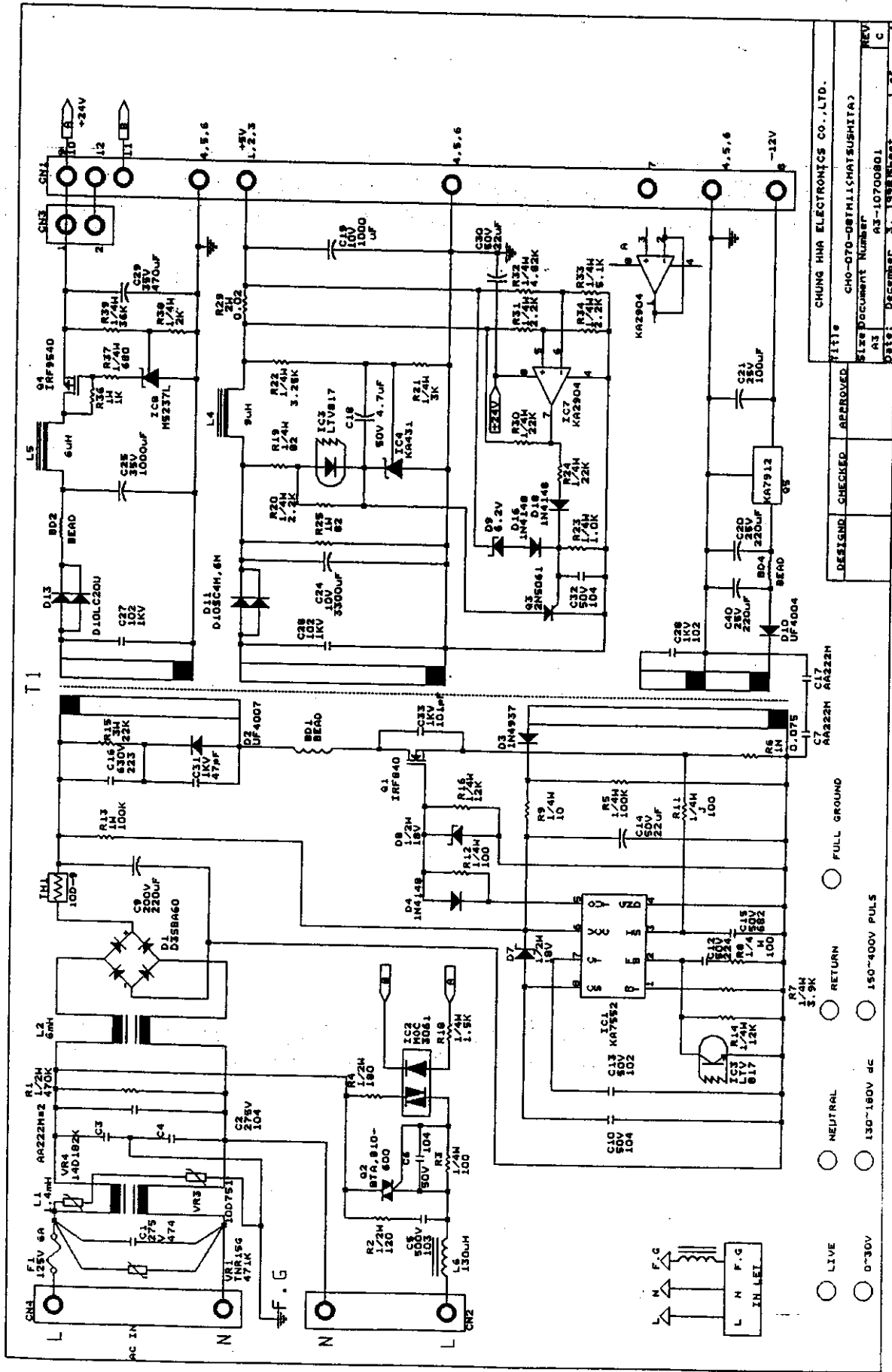


**FIG. 5 HIGH VOLTAGE BOARD - 2/2**

TITLE	H.V.P.S	SCALE	DRAWING	CHECK	APPROVAL
MODEL No.	KAP-8155Y	UNIT			
DRAWING No.		CUSTOMER DRAWING No.			
Korea Asahi Electronics Co., Ltd					
			E. M. OH	H. S. LEE	K. W. LEE



DRAWING NO. \_\_\_\_\_



DESIGNER	CHECKED	APPROVED	TITLE
			CHUNG HHA ELECTRONICS CO., LTD.
			CHO-070-08TMIICHAITSUSHITA)
			SIZE
			REV
			DATE
			BY
			C

**FIG. 6 POWER SUPPLY BOARD**

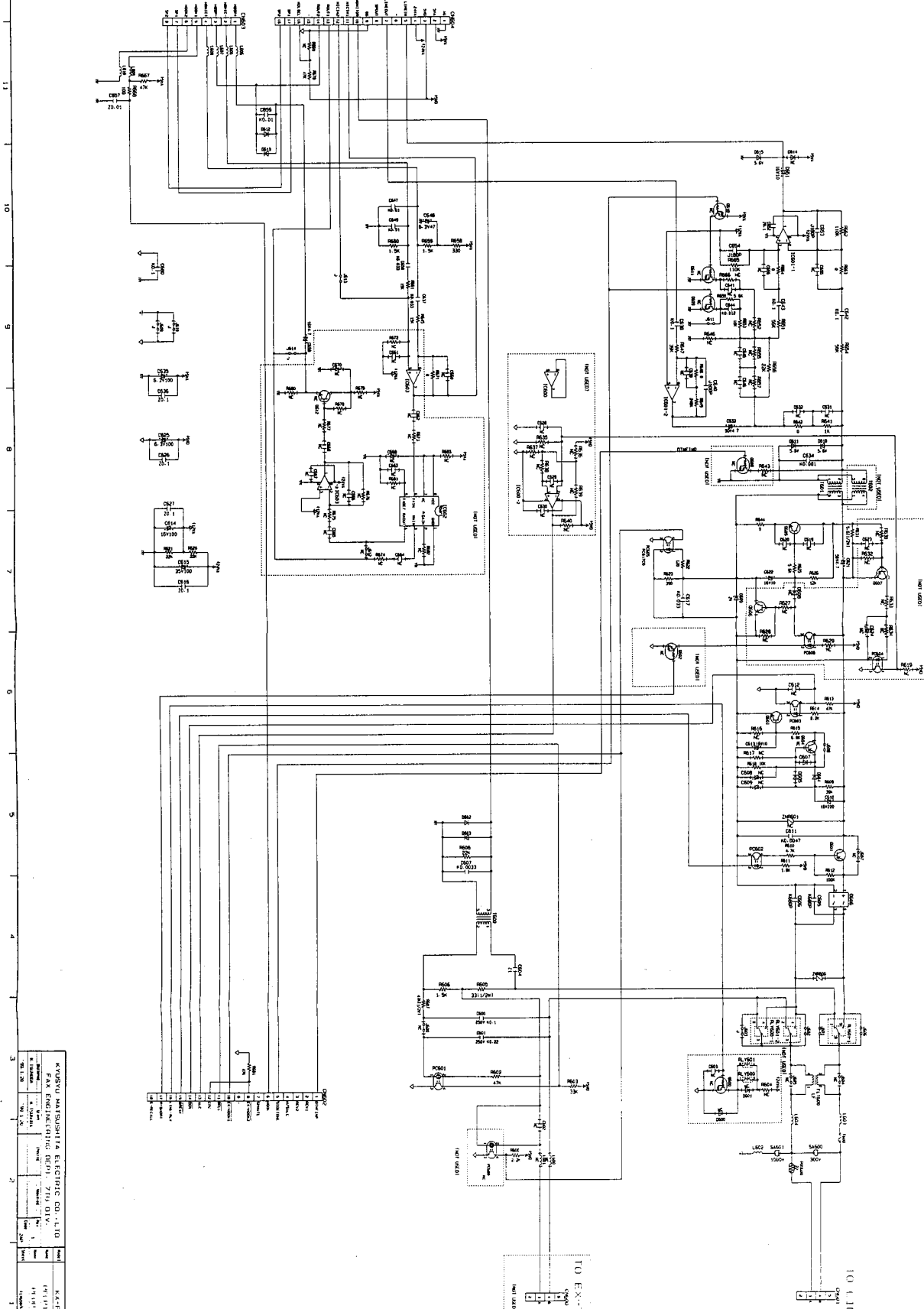


FIG. 4 ANALOG BOARD

KAYSONE MANUFACTURING ELECTRIC CO., LTD.		KAYSONE	
Model No.	1225MZA	Model No.	1225MZA
Part No.	1225MZA	Part No.	1225MZA
Rev.	1	Rev.	1
Date	1971.11.10	Date	1971.11.10
Drawn	Y. YAMAMOTO	Drawn	Y. YAMAMOTO
Checked	T. YAMAMOTO	Checked	T. YAMAMOTO
Approved	T. YAMAMOTO	Approved	T. YAMAMOTO

REV.	DATE	BY	REASON
1	1971.11.10	Y. YAMAMOTO	INITIAL DESIGN
2	1971.11.10	T. YAMAMOTO	REVISION
3	1971.11.10	T. YAMAMOTO	REVISION
4	1971.11.10	T. YAMAMOTO	REVISION

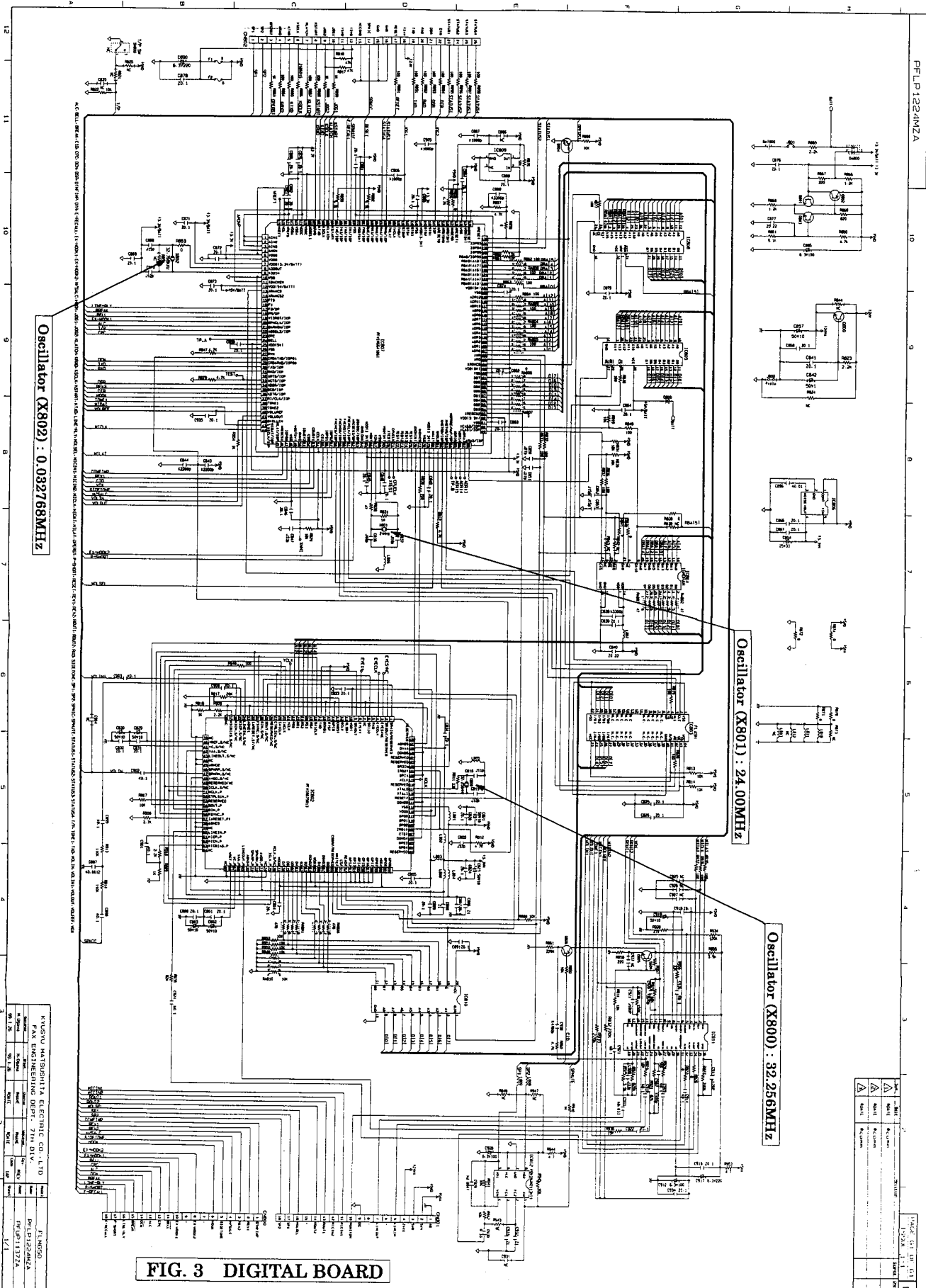


FIG. 3 DIGITAL BOARD

KIOSU MANSBOSHITA ELECTRIC CO., LTD		REVISED	
DATE	BY	DATE	BY
1971.11.22	Y. NISHIDA	1971.11.22	Y. NISHIDA
PFLP122ANZA		PFLP122ANZA	
1/1		1/1	

NO.	REVISION	DATE	BY
1	INITIAL		
2	INITIAL		
3	INITIAL		



