

EXHIBIT E

SCHEMATIC DIAGRAMS :

FIG. 1 : ENGINE BOARD

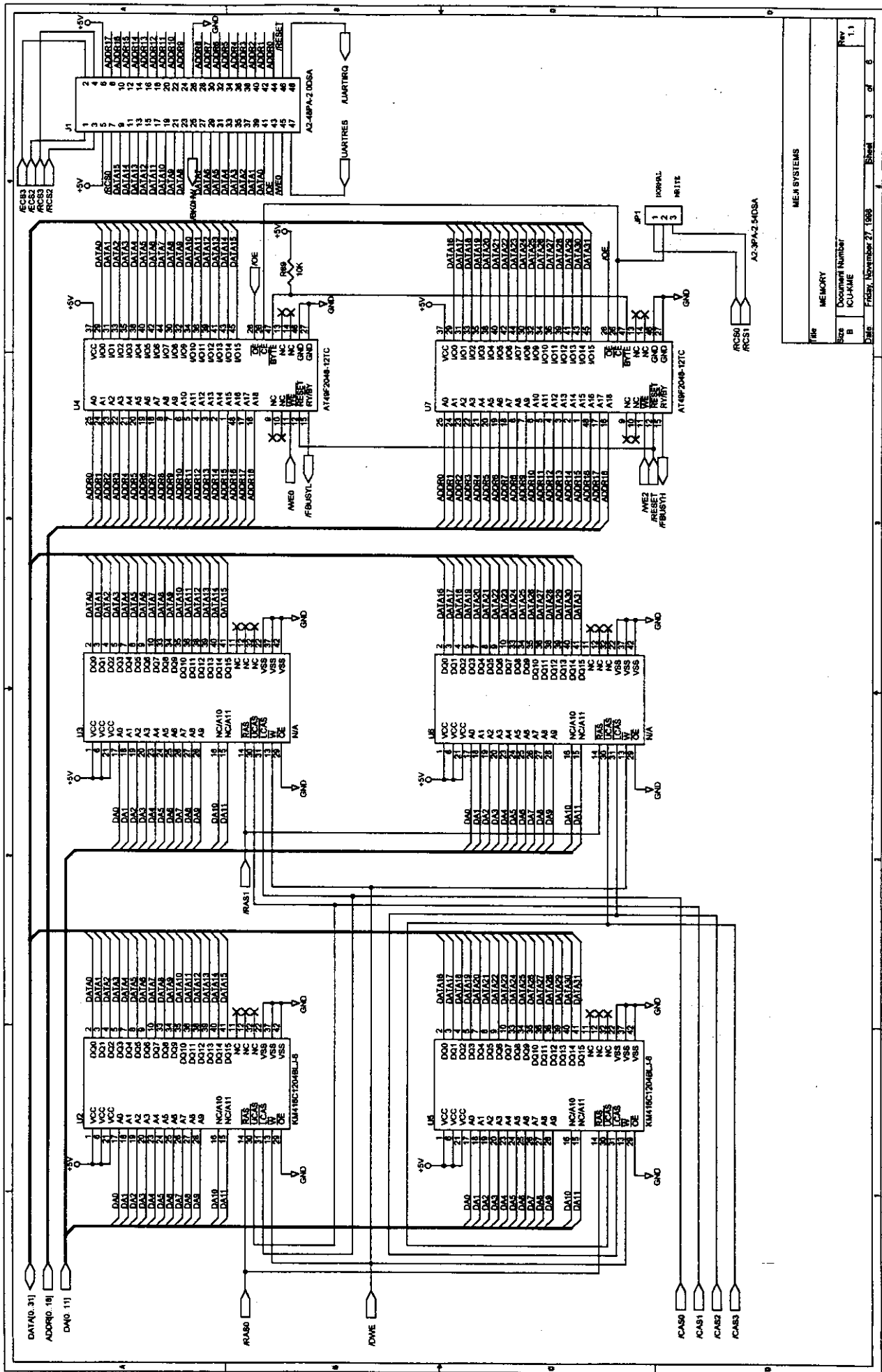
FIG. 2 : CONTROL BOARD

FIG. 3 : DIGITAL BOARD

FIG. 4 : ANALOG BOARD

FIG. 5 : HIGH VOLTAGE BOARD

FIG. 6 : POWER SUPPLY BOARD



MEM SYSTEMS	
Title	MEMORY
Size	Document Number
B	KCU-KHME
Date	Friday, November 27, 1988
Sheet	3 of 8
Rev	1.1

FIG. 2 CONTROL BOARD - 3/6

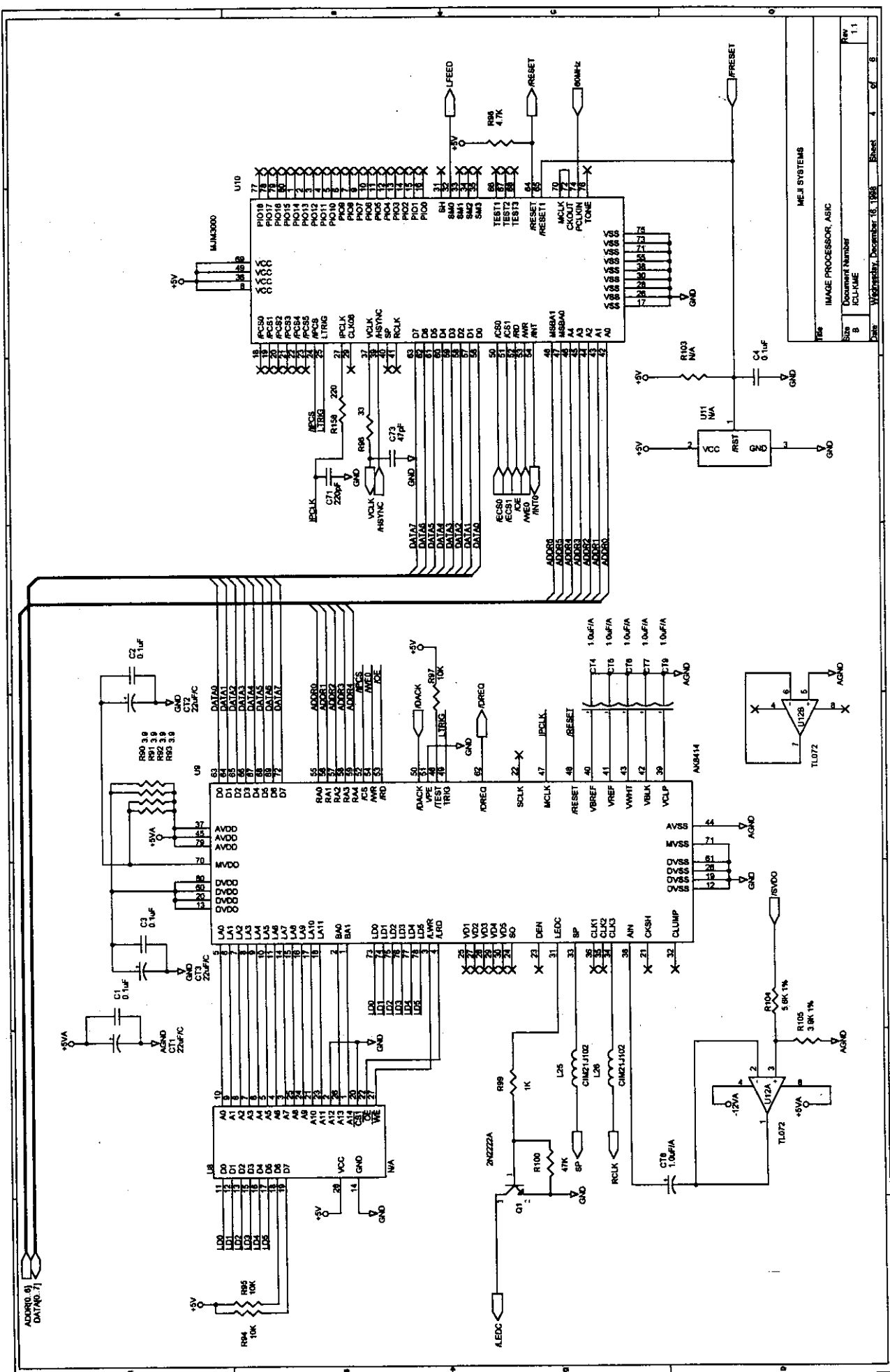
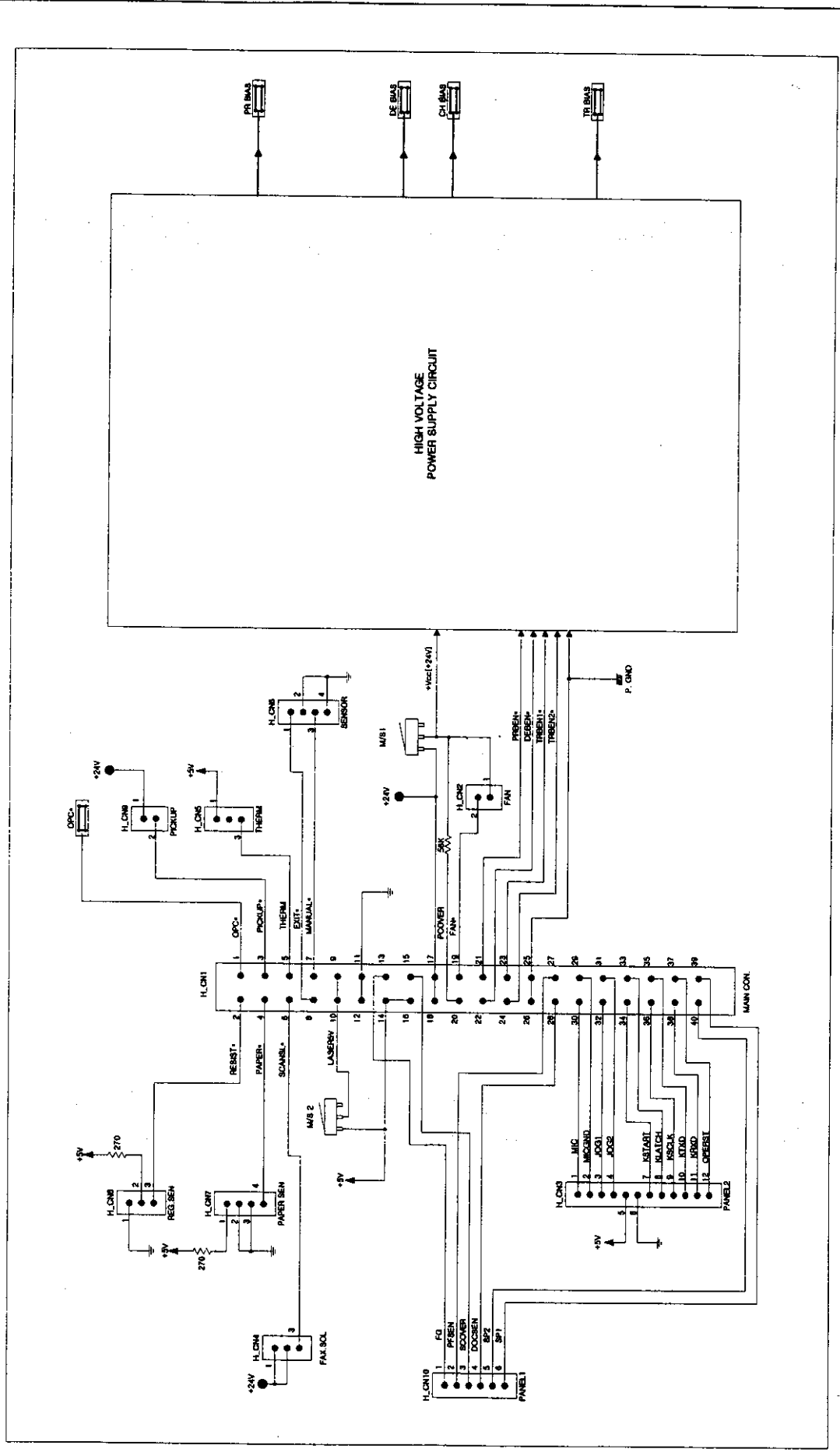


FIG. 2 CONTROL BOARD - 4/6

MELI SYSTEMS	
IMAGE PROCESSOR ASIC	
Size	Document Number
8	ICL-KME
Date	Wednesday, December 16, 1988
Sheet	4 of 8
Rev	1.1



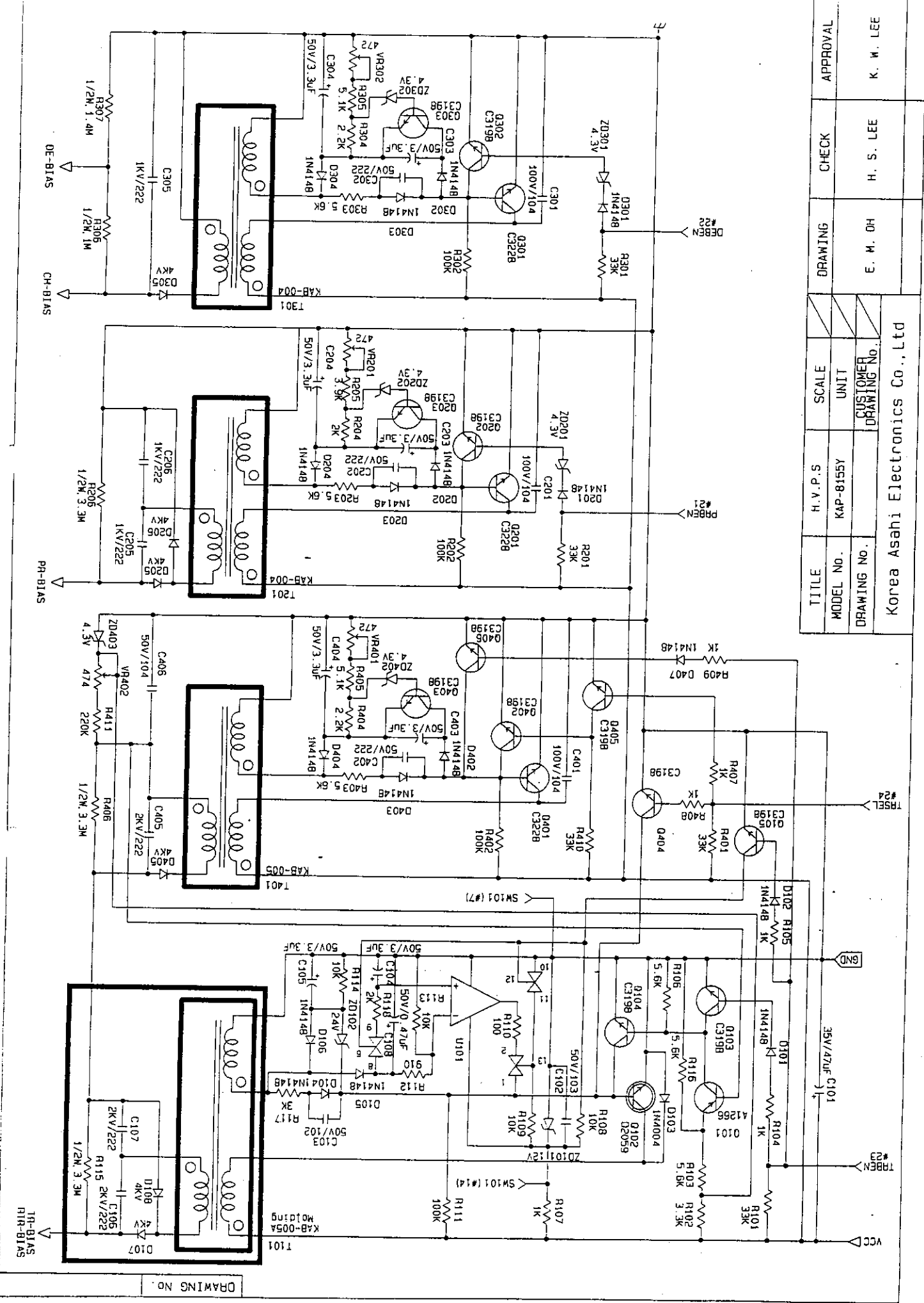
Title	KX-FLM600 HVPS 추가회로		
Document Number	TML	Drawn	Lee Seung Jyoung
		Checked	
		Model	KX-FLM600
Date	1998. 12. 4	Sheet	1 of 1

Note :

- H.LON1 : HPSH-400A-2-AC08A / Hirose
- H.LON2 : GL-5-4P-S2L2-EF / LOC
- H.LON3 : GL-5-3P-S3T2-E / LOC
- H.LON4 : GL-5-4P-S2L2-EF / LOC
- H.LON5 : GL-5-3P-S3T2-E / LOC
- H.LON6 : GL-5-4P-S2L2-EF / LOC
- H.LON7 : GL-5-3P-S3T2-E / LOC
- H.LON8 : GL-5-4P-S2L2-EF / LOC
- H.LON9 : GL-5-3P-S3T2-E / LOC
- H.LON10 : GL-5-4P-S2L2-EF / LOC
- MIB 1, MIB 2 : MICRO SWITCH
- OPC, PR BIAS, DE BIAS, CH BIAS, TR BIAS : JUMPER 2개를 구성하는데 사용됨

FIG. 5 HIGH VOLTAGE BOARD - 1/2

FIG. 5 HIGH VOLTAGE BOARD - 2/2



TITLE	H.V.P.S	SCALE	DRAWING	CHECK	APPROVAL
MODEL No.	KAP-8155Y	UNIT		H. S. LEE	K. M. LEE
DRAWING No.	CUSTOMER DRAWING No.			E. M. OH	
Korea Asahi Electronics Co., Ltd					

DRAWING NO.

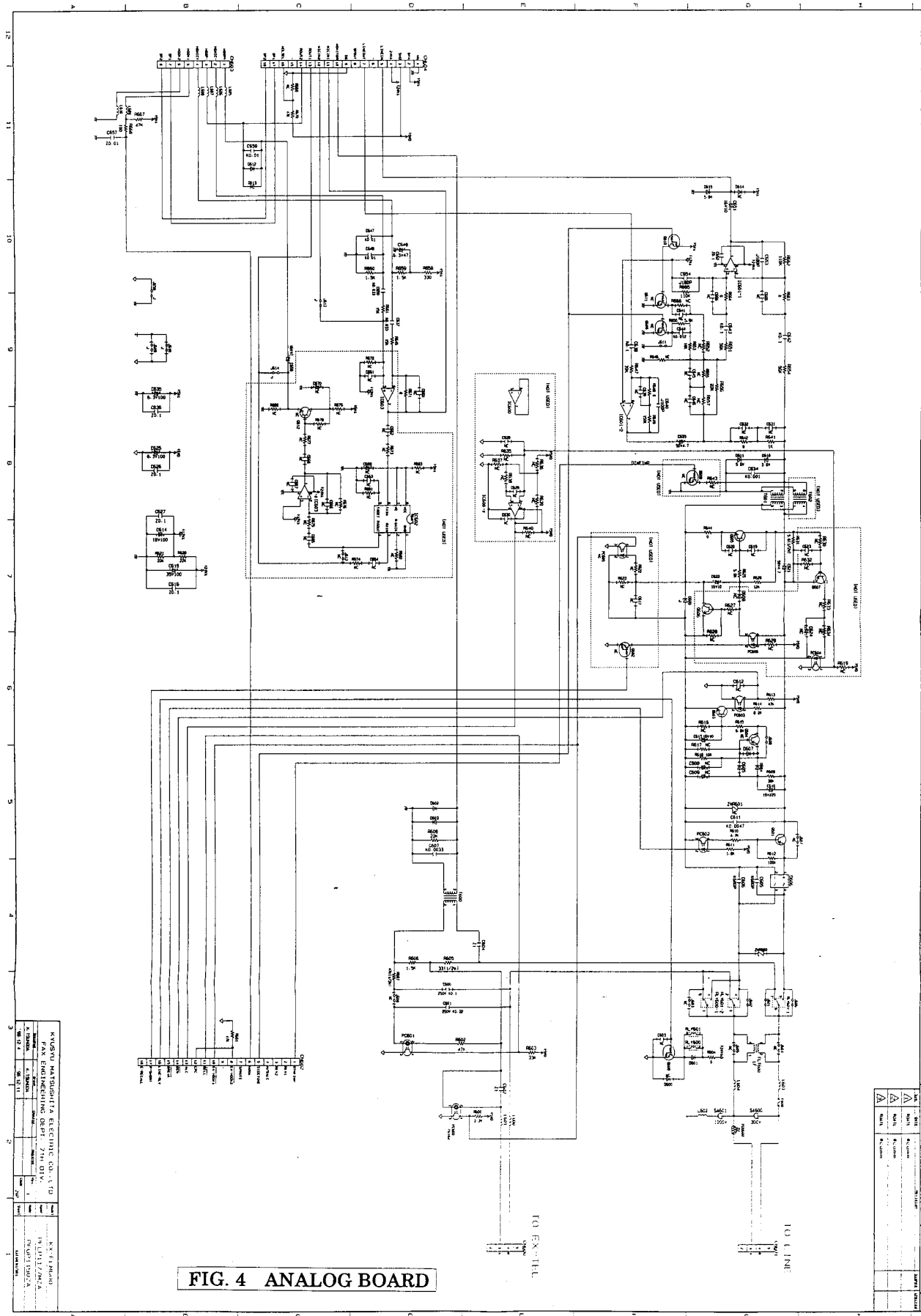
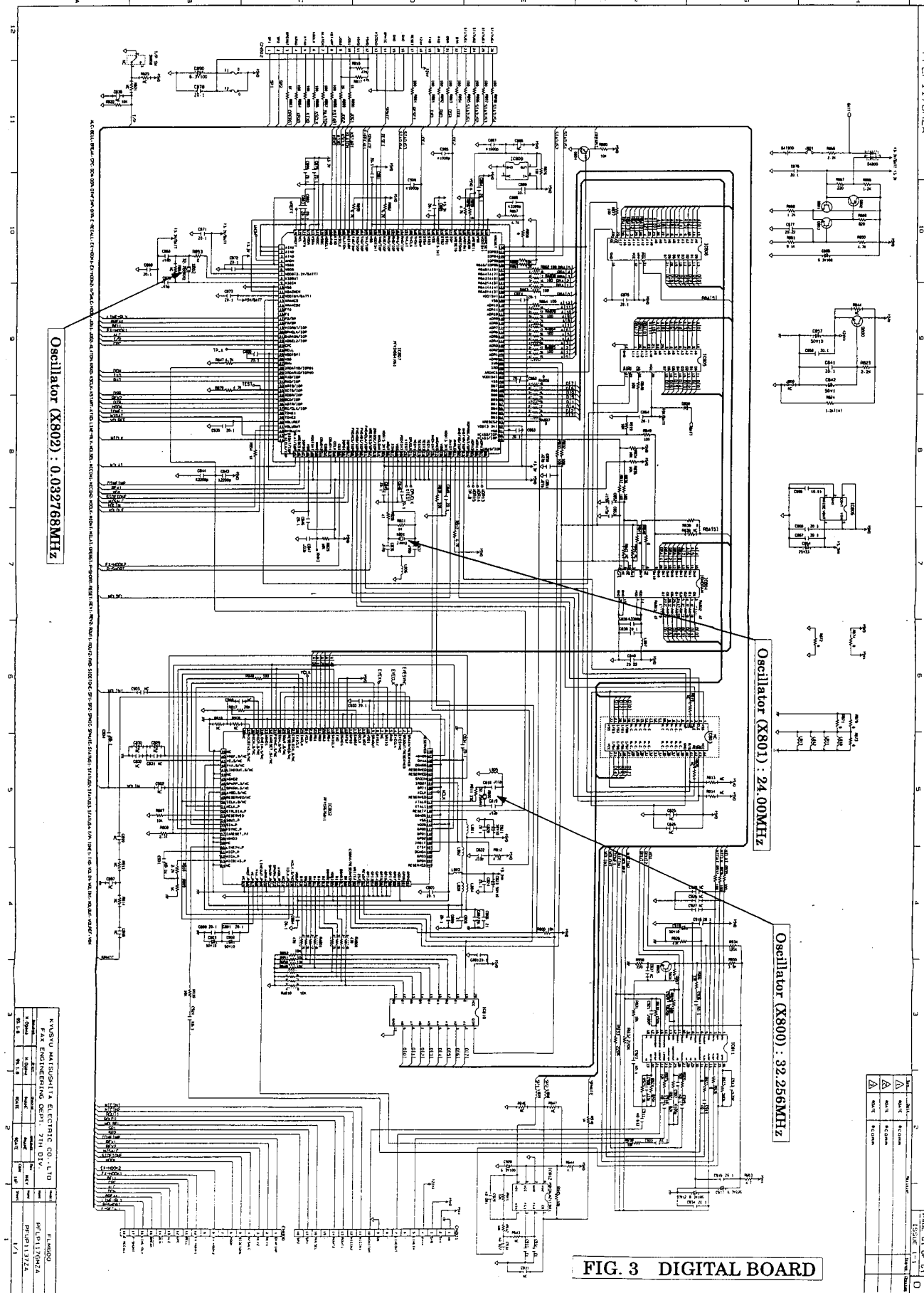


FIG. 4 ANALOG BOARD

REV. 1	DATE	BY	CHKD.	APP. BY
REV. 2	DATE	BY	CHKD.	APP. BY
REV. 3	DATE	BY	CHKD.	APP. BY
REV. 4	DATE	BY	CHKD.	APP. BY
REV. 5	DATE	BY	CHKD.	APP. BY

KYUSHU HATSUSHITA ELECTRIC CO., LTD.
 PAK ENGINEERING DEPT. 7TH DIV.
 FUJIOKA
 FUKUOKA
 JAPAN

NO.	REV.	DATE	BY	CHKD.	APP. BY
1					
2					
3					
4					
5					



Oscillator (X802) : 0.032768MHz

Oscillator (X801) : 24.00MHz

Oscillator (X800) : 32.256MHz

FIG. 3 DIGITAL BOARD

REV.	DATE	BY	CHKD.	REVISION
1				
2				
3				
4				

KYUSU MATSUSHITA ELECTRIC CO., LTD
 FAX ENGINEERING DEPT. 7TH DIV.
 7-1-1, HAKOZAKI, KYUSU, JAPAN
 TEL. 092-281-1111
 FAX 092-281-1112

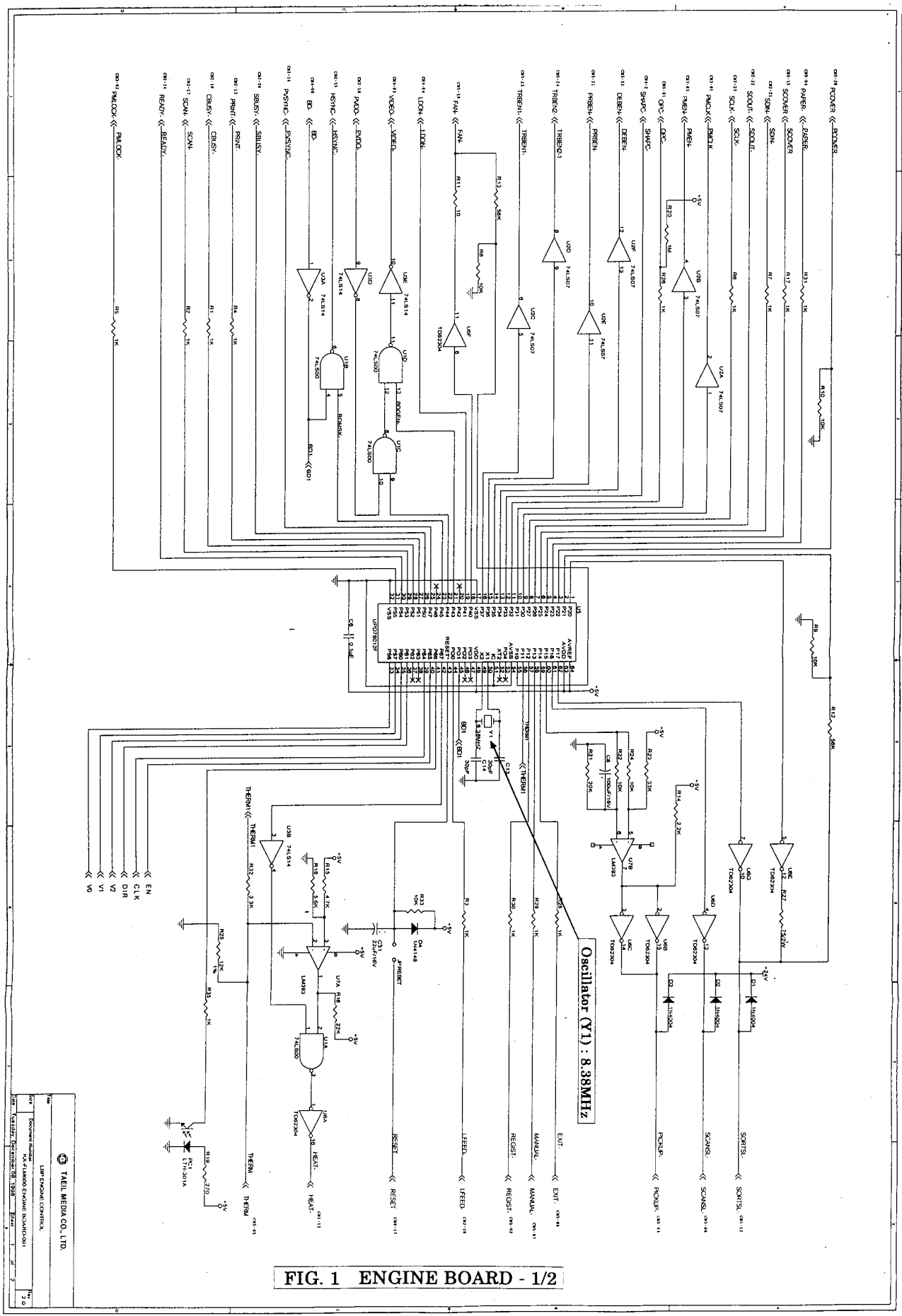


FIG. 1 ENGINE BOARD - 1/2

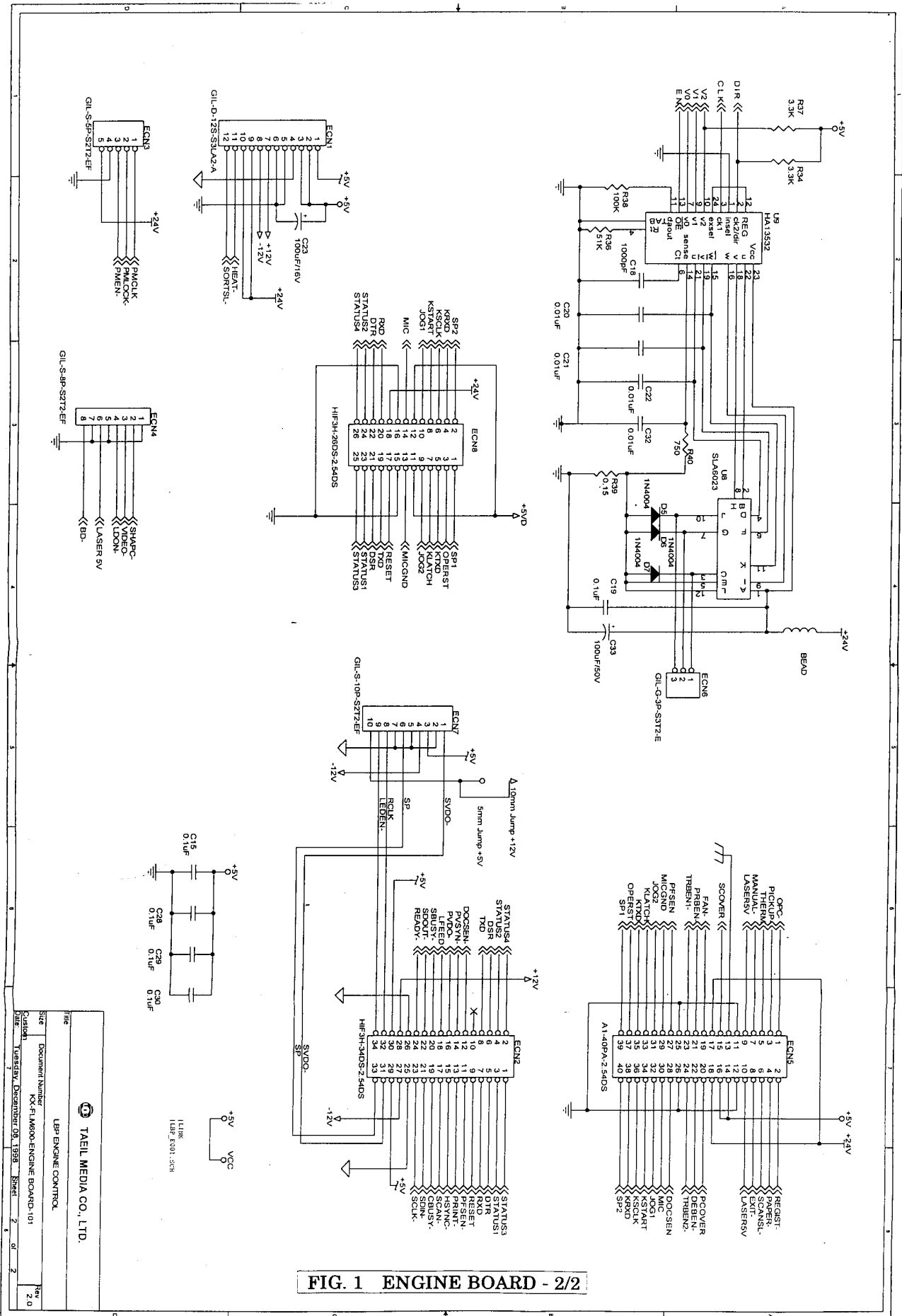


FIG. 1 ENGINE BOARD - 2/2

 TAELI MEDIA CO., LTD.	
LBP ENGINE CONTROL	
File	
Size	Document Number
Part No.	KCC-F1M600-ENGINE BOARD-101
Date	Tuesday, December 08, 1998
Sheet	2 of 2
Rev.	2.0