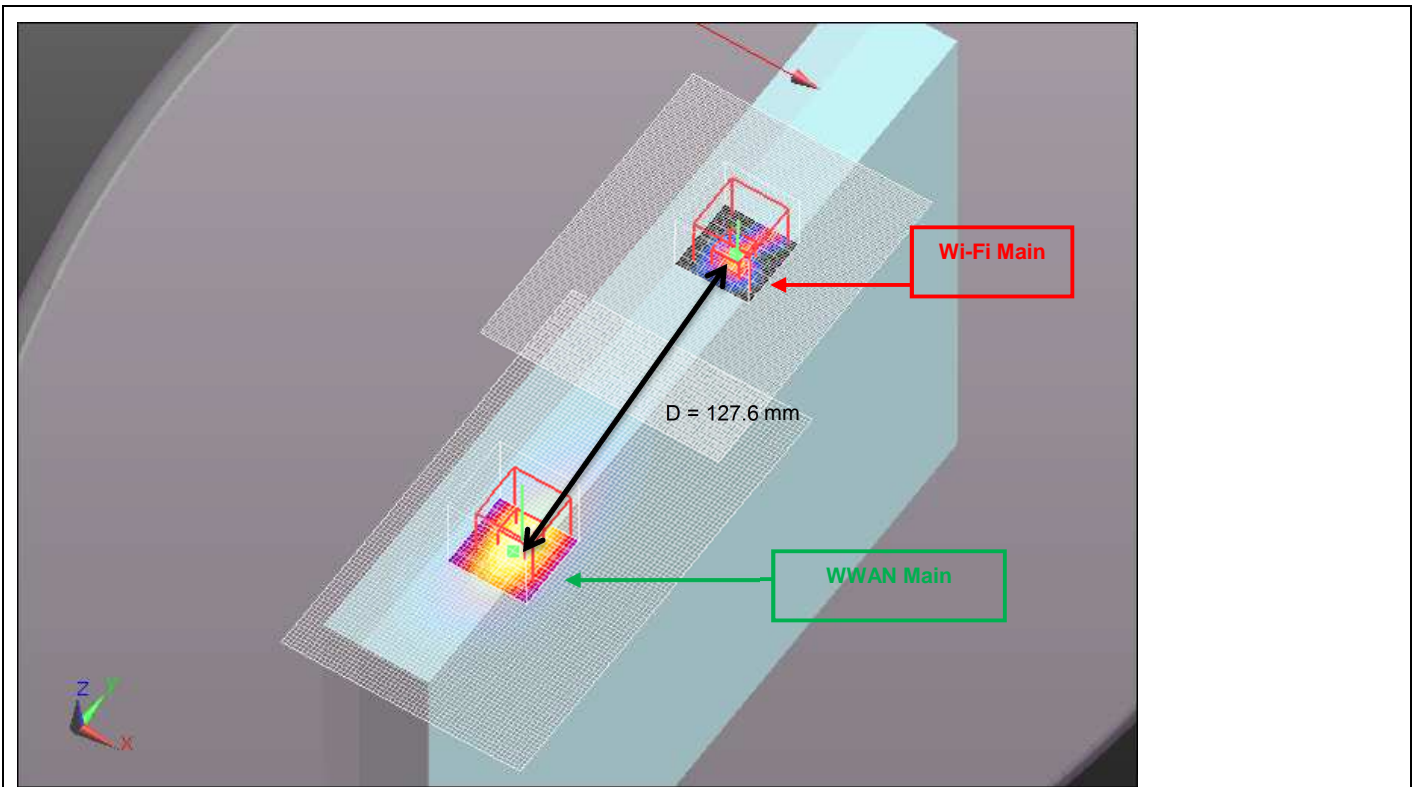


WLAN5.3GHz + WWAN
Figure (1)

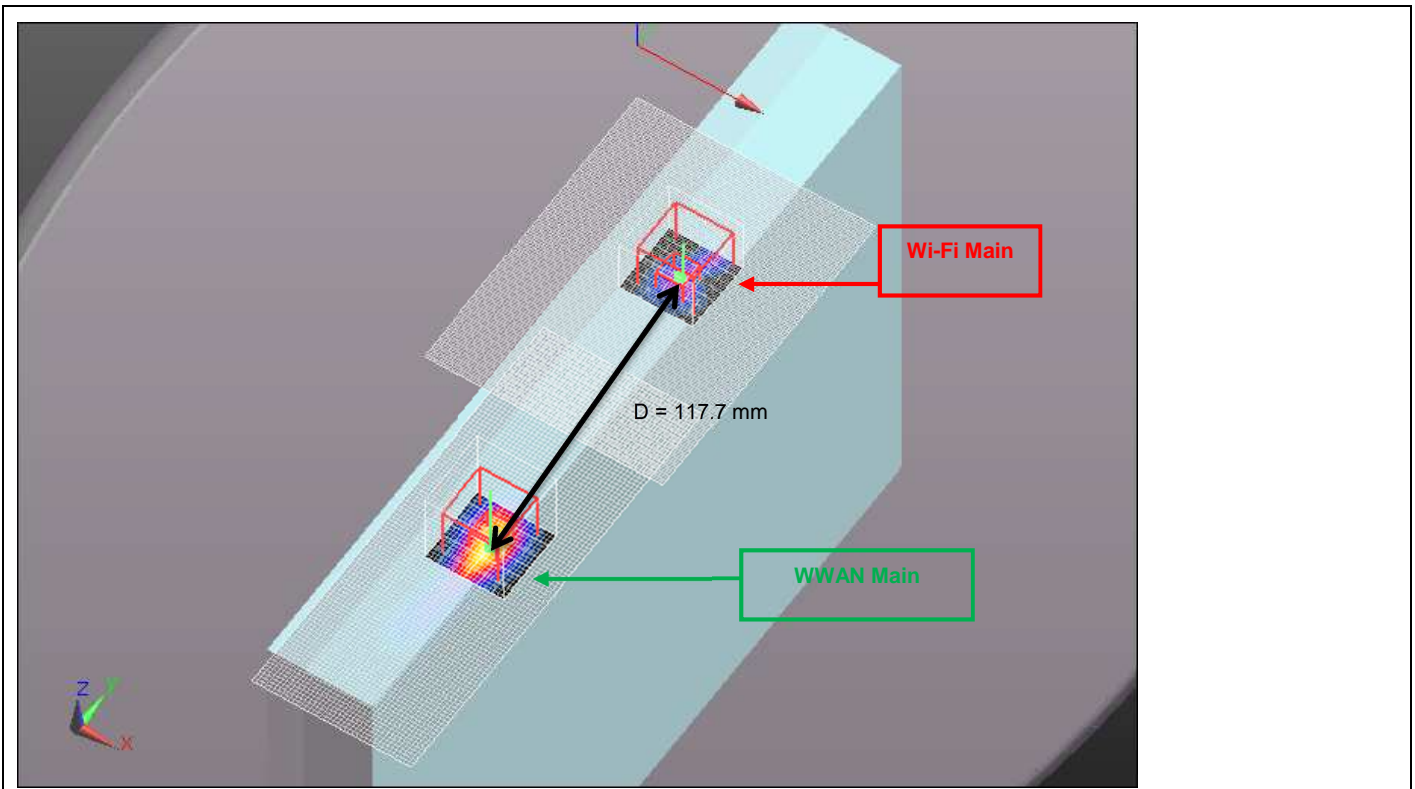


Mode	Peak SAR mW/g	X m	Y m	Z m
Wi-Fi Main 5.3 GHz	0.922	-0.008	0.038	-0.18
GSM850	1.13	-0.0045	-0.0895	-0.184

d: Calculated distance (mm)
127.6

The Peak Location Separation Distance is computed by using the formula below:
 $\text{SQRT}((X1-X2)^2+(Y1-Y2)^2+(Z1-Z2)^2)$

WLAN5.3GHz + WWAN
Figure (2)

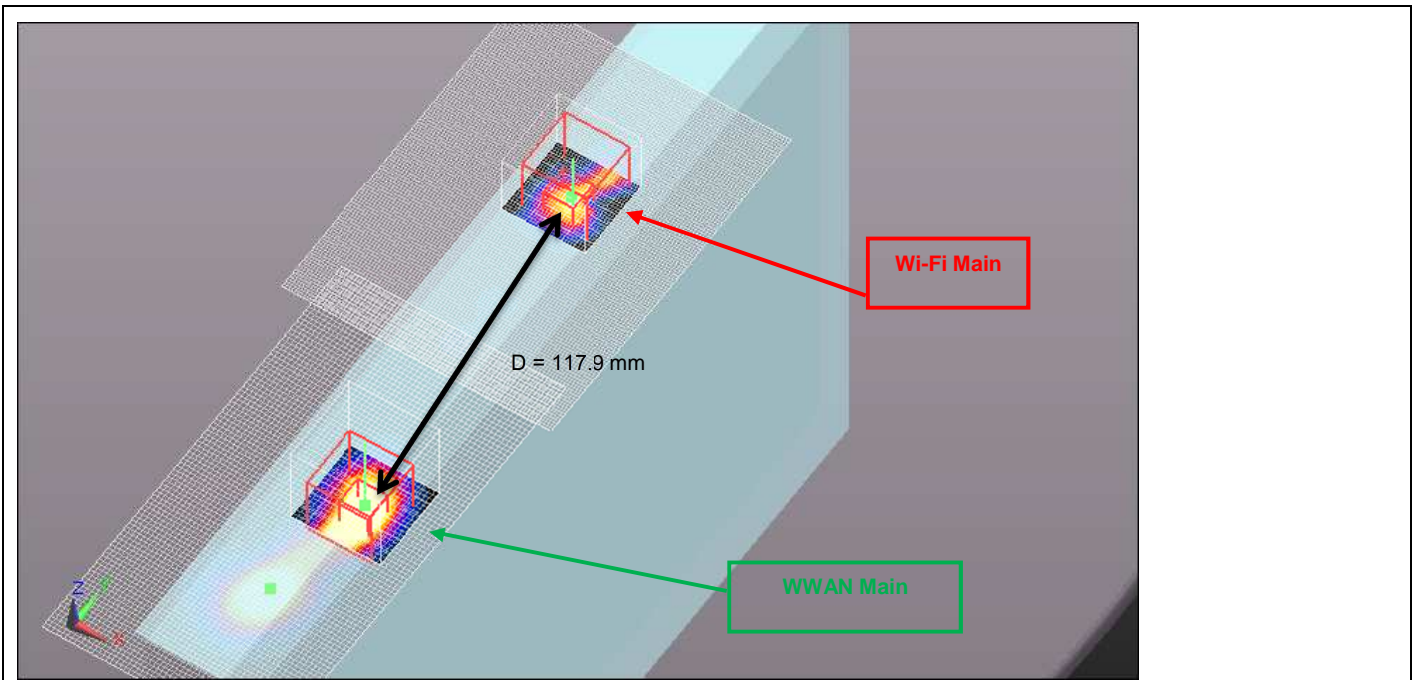


Mode	Peak SAR mW/g	X m	Y m	Z m
Wi-Fi Main 5.3 GHz	0.922	-0.008	0.038	-0.18
PCS1900	1.92	-0.002	-0.0795	-0.183
d: Calculated distance (mm)				
117.7				

The Peak Location Separation Distance is computed by using the formula below:
 $SQRT((X1-X2)^2+(Y1-Y2)^2+(Z1-Z2)^2)$

WLAN5.3GHz + WWAN

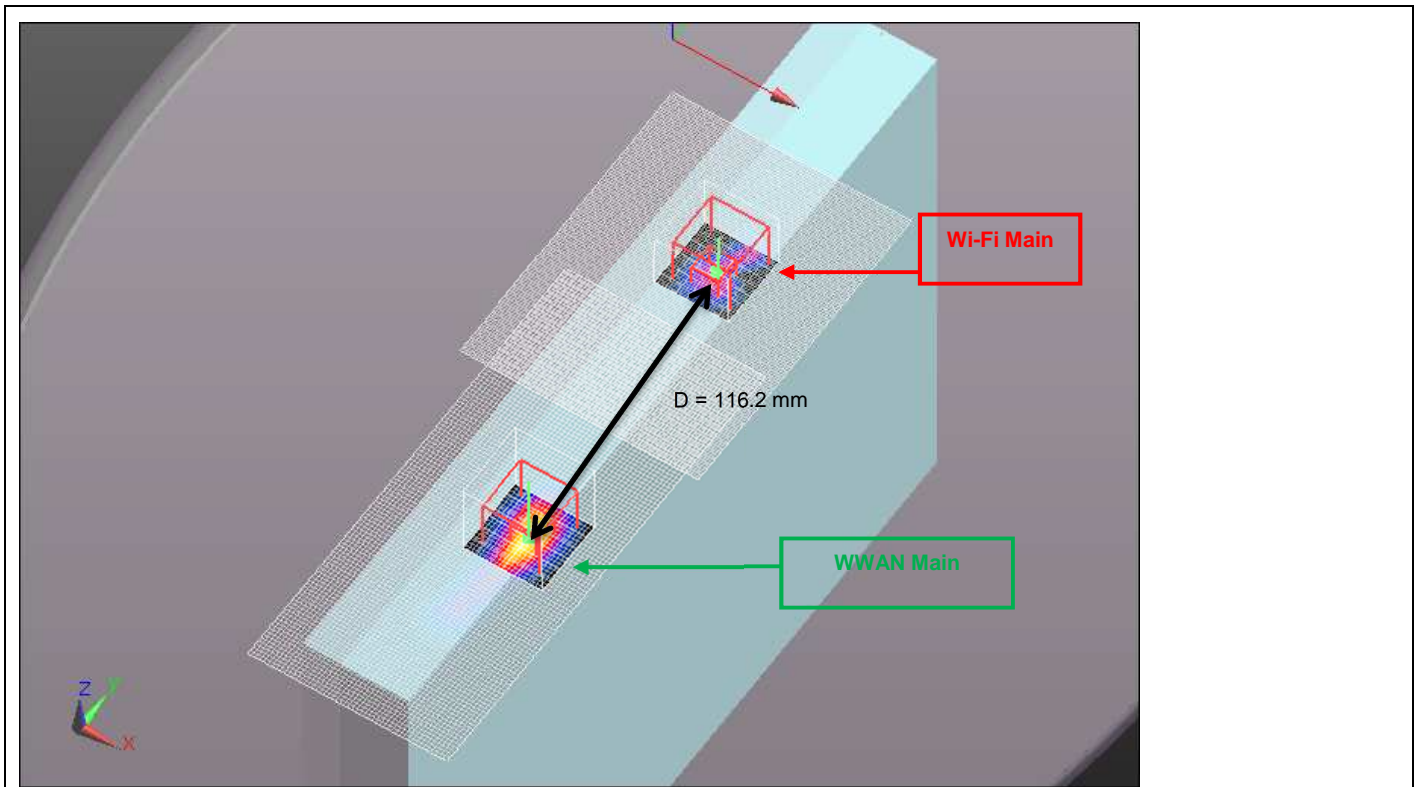
Figure (3)



Mode	Peak SAR mW/g	X m	Y m	Z m
Wi-Fi Main 5.3 GHz	0.922	-0.008	0.038	-0.18
WCDMA Band IV	1.79	0.001	-0.0795	-0.182
d: Calculated distance (mm)				
117.9				

The Peak Location Separation Distance is computed by using the formula below:
 $SQRT((X1-X2)^2+(Y1-Y2)^2+(Z1-Z2)^2)$

WLAN5.3GHz + WWAN
Figure (4)

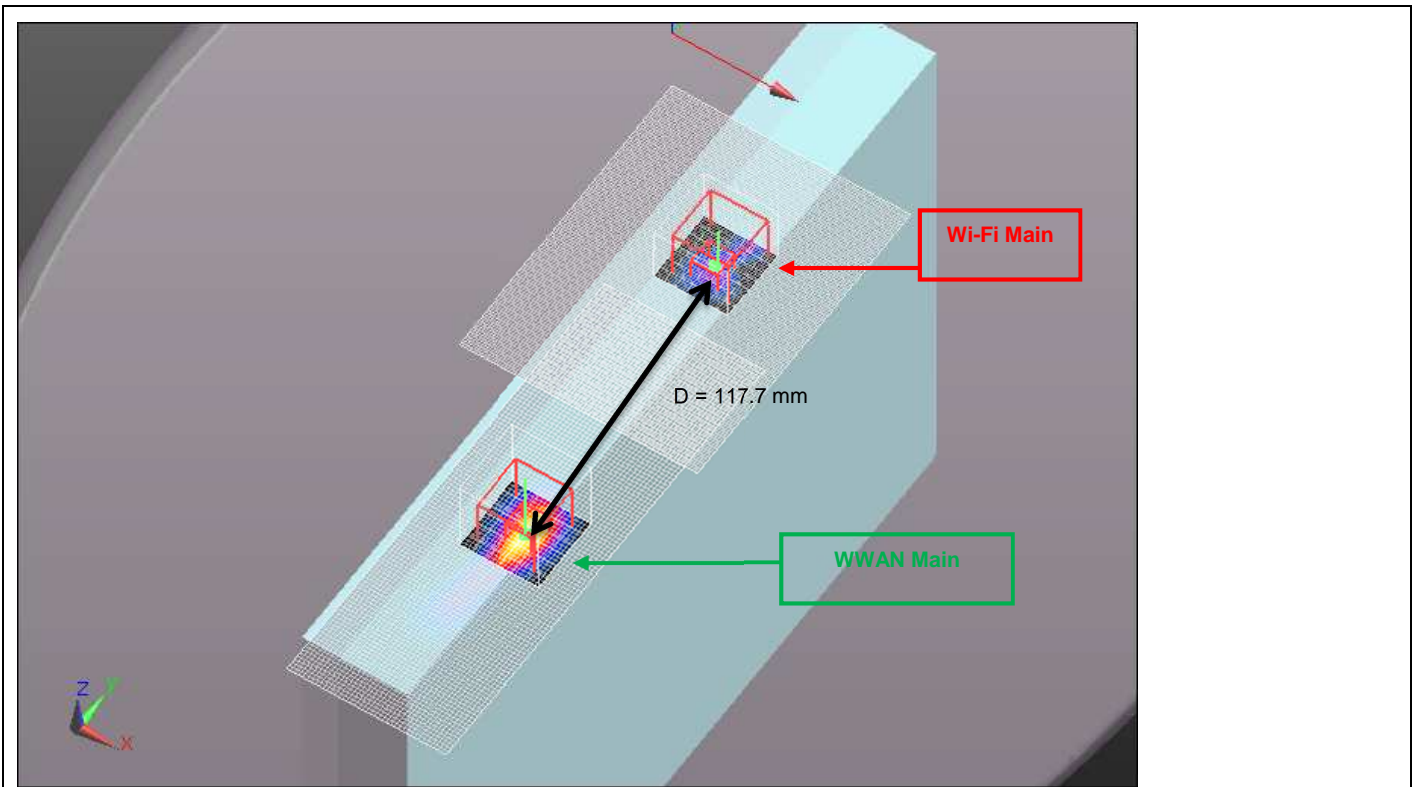


Mode	Peak SAR mW/g	X m	Y m	Z m
Wi-Fi Main 5.3 GHz	0.922	-0.008	0.038	-0.18
WCDMA Band II	1.59	-0.002	-0.078	-0.182

d: Calculated distance (mm)
116.2

The Peak Location Separation Distance is computed by using the formula below:
 $\text{SQRT}((X1-X2)^2+(Y1-Y2)^2+(Z1-Z2)^2)$

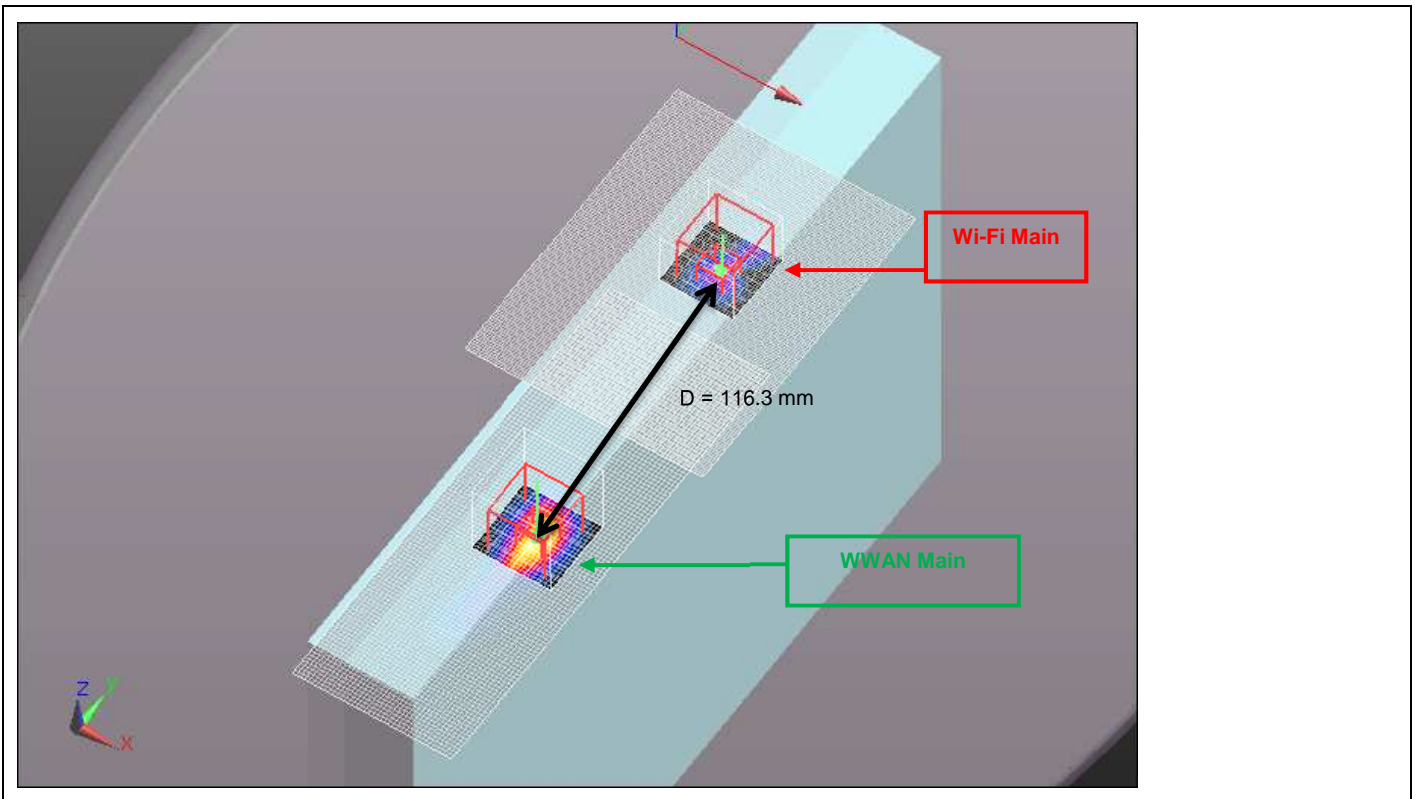
WLAN5.3GHz + WWAN
Figure (5)



Mode	Peak SAR	X	Y	Z
	mW/g	m	m	m
Wi-Fi Main 5.3 GHz	0.922	-0.008	0.038	-0.18
CDMA BC1 1xRTT	2.09	-0.002	-0.0795	-0.182
d: Calculated distance (mm)				
117.7				

The Peak Location Separation Distance is computed by using the formula below:
 $SQRT((X1-X2)^2+(Y1-Y2)^2+(Z1-Z2)^2)$

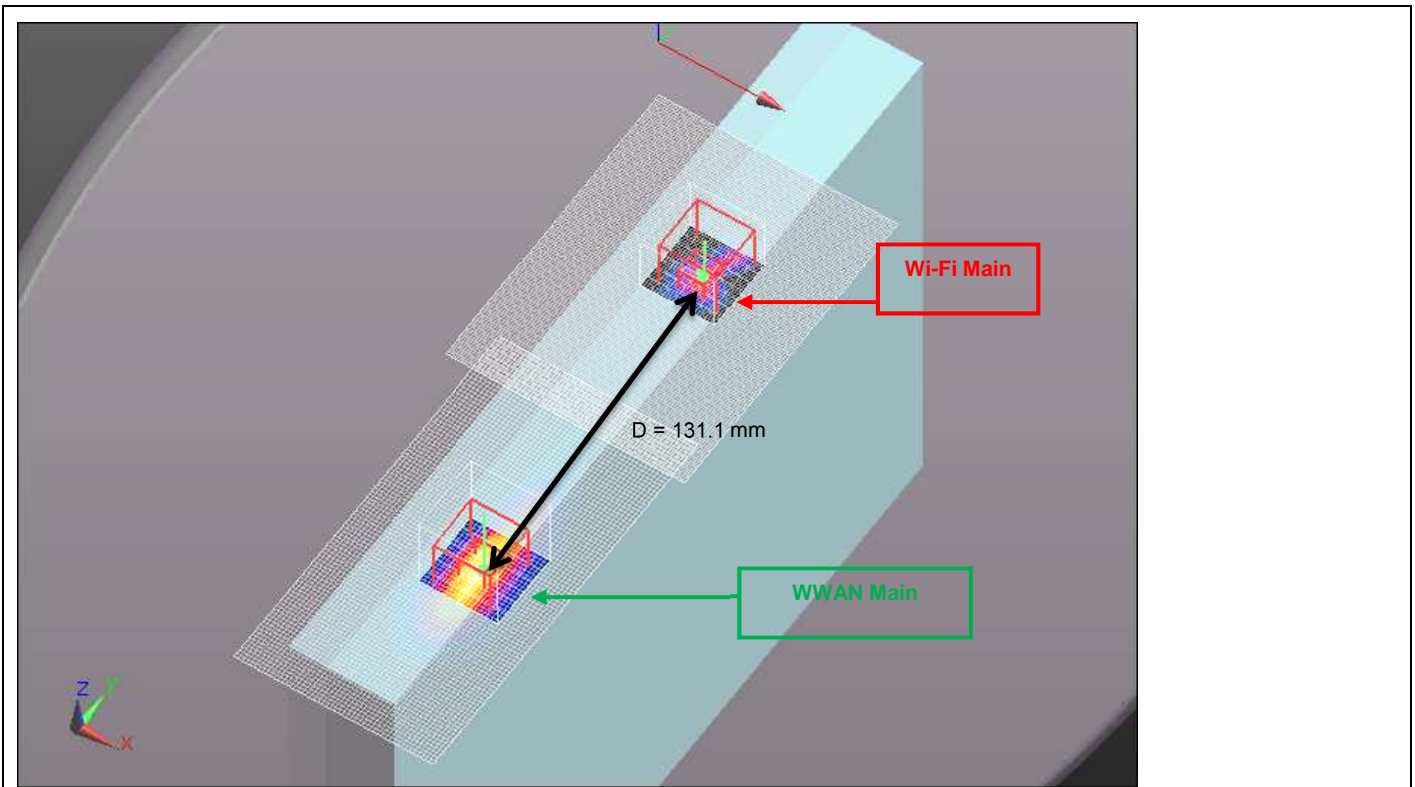
WLAN5.3GHz + WWAN
Figure (6)



Mode	Peak SAR	X	Y	Z
	mW/g	m	m	m
Wi-Fi Main 5.3 GHz	0.922	-0.008	0.038	-0.18
CDMA BC1 EVDO	2.01	-0.0005	-0.078	-0.183
d: Calculated distance (mm)				
116.3				

The Peak Location Separation Distance is computed by using the formula below:
 $SQRT((X1-X2)^2+(Y1-Y2)^2+(Z1-Z2)^2)$

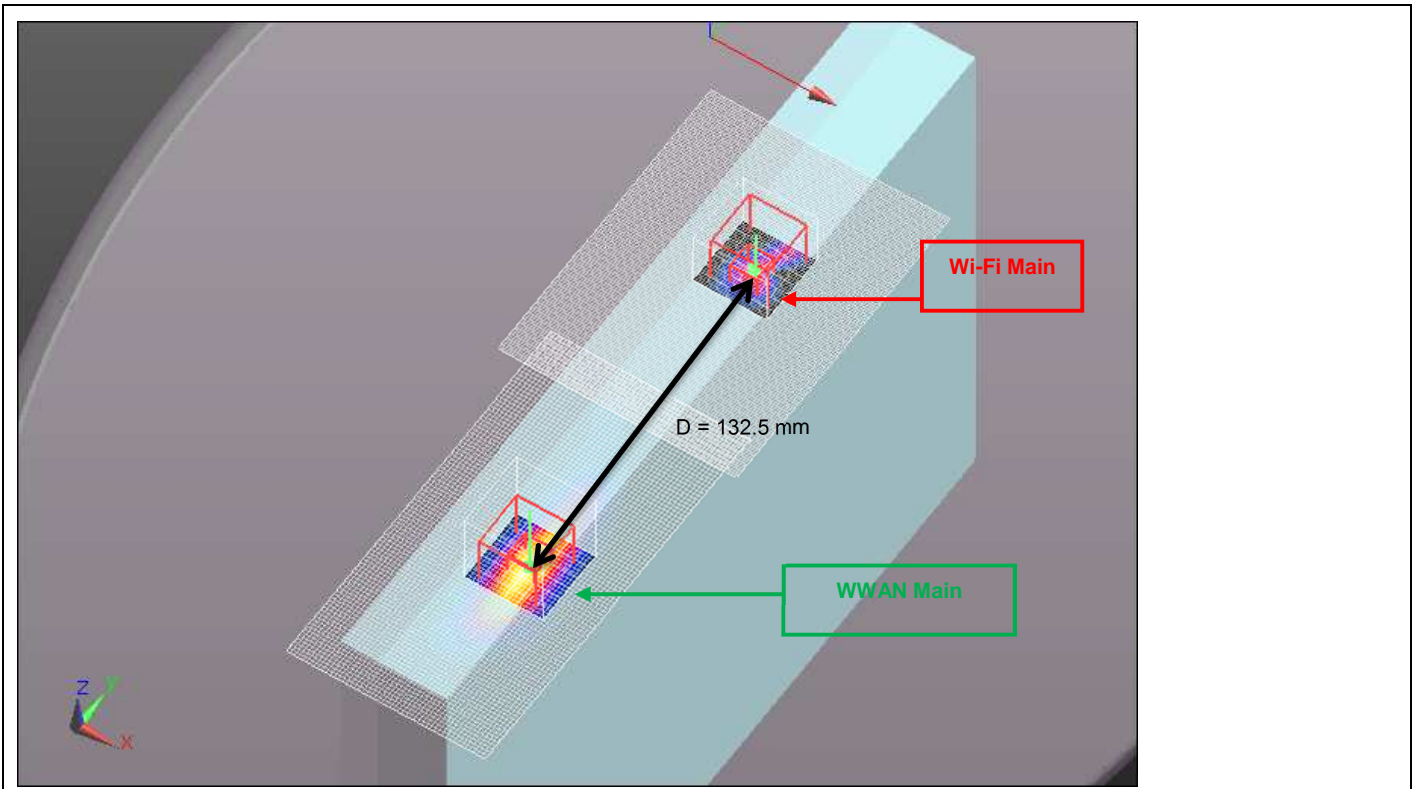
WLAN5.3GHz + WWAN
Figure (7)



Mode	Peak SAR	X	Y	Z
	mW/g	m	m	m
Wi-Fi Main 5.3 GHz	0.922	-0.008	0.038	-0.18
LTE Band 5	1.39	-0.0035	-0.093	-0.182
d: Calculated distance (mm)				
131.1				

The Peak Location Separation Distance is computed by using the formula below:
 $\text{SQRT}((X1-X2)^2+(Y1-Y2)^2+(Z1-Z2)^2)$

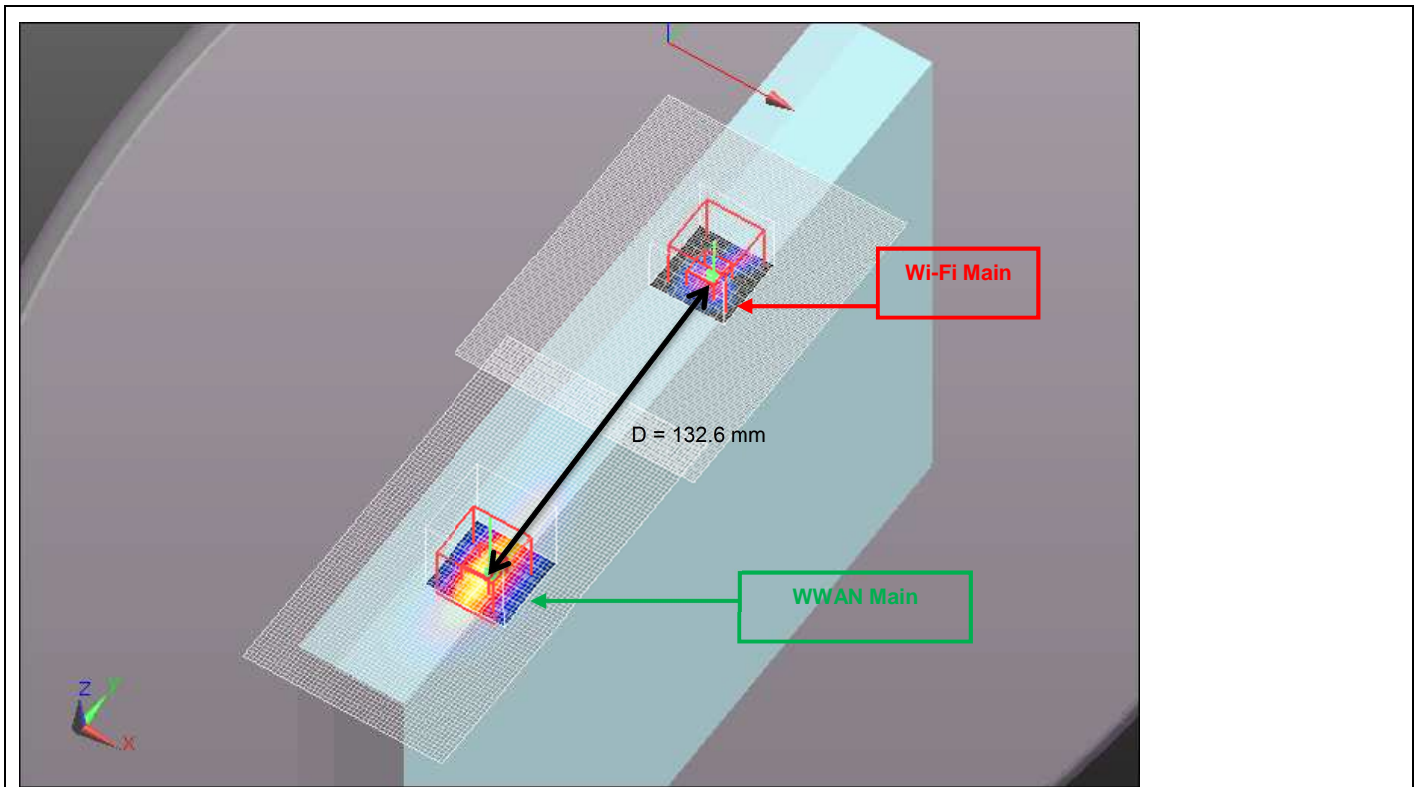
WLAN5.3GHz + WWAN
Figure (8)



Mode	Peak SAR mW/g	X m	Y m	Z m
Wi-Fi Main 5.3 GHz	0.922	-0.008	0.038	-0.18
LTE Band 13	1.45	-0.005	-0.0945	-0.182
d: Calculated distance (mm)				
132.5				

The Peak Location Separation Distance is computed by using the formula below:
 $SQRT((X1-X2)^2+(Y1-Y2)^2+(Z1-Z2)^2)$

WLAN5.3GHz + WWAN
Figure (9)

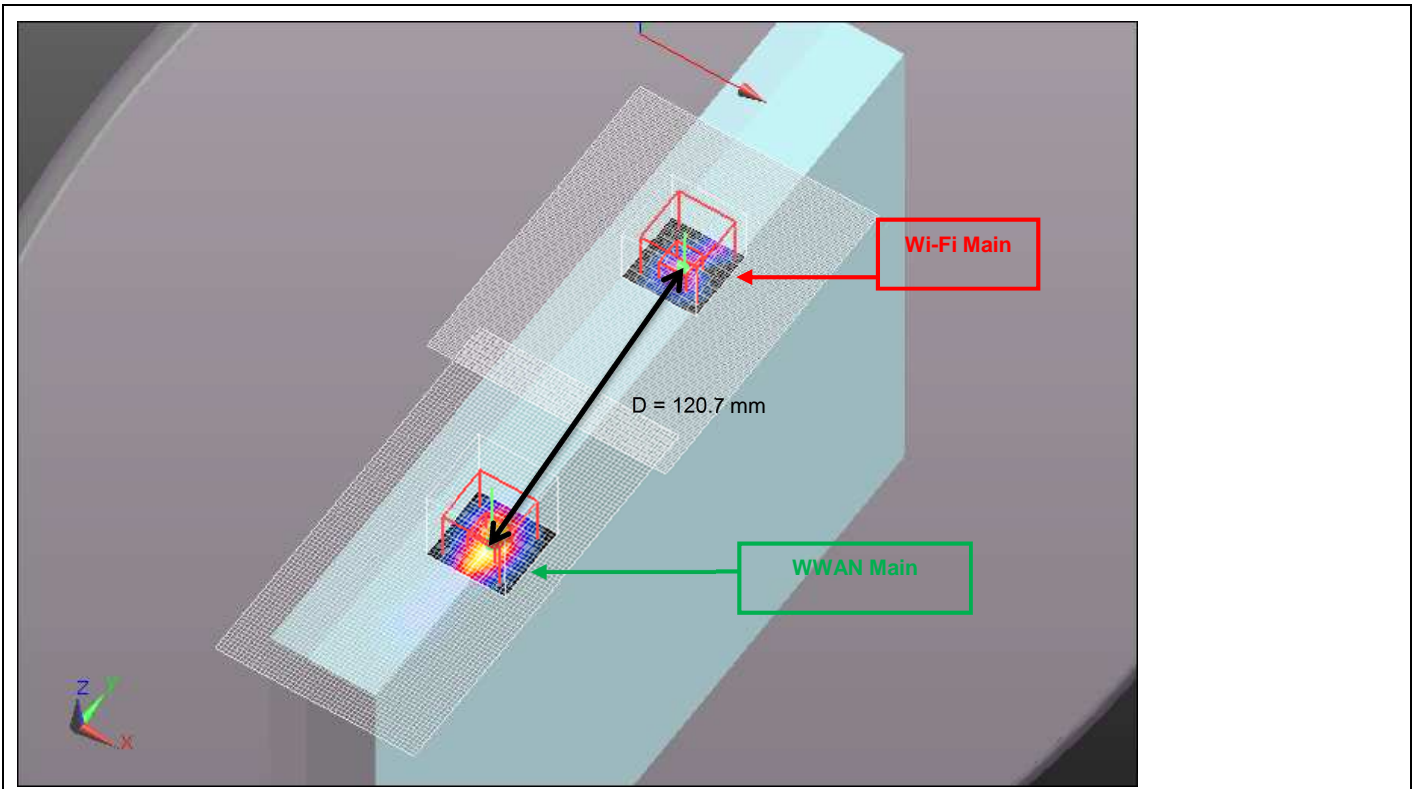


Mode	Peak SAR mW/g	X m	Y m	Z m
Wi-Fi Main 5.3 GHz	0.922	-0.008	0.038	-0.18
LTE Band 17	1.56	-0.0035	-0.0945	-0.183

d: Calculated distance (mm)	
132.6	

The Peak Location Separation Distance is computed by using the formula below:
 $\text{SQRT}((X1-X2)^2+(Y1-Y2)^2+(Z1-Z2)^2)$

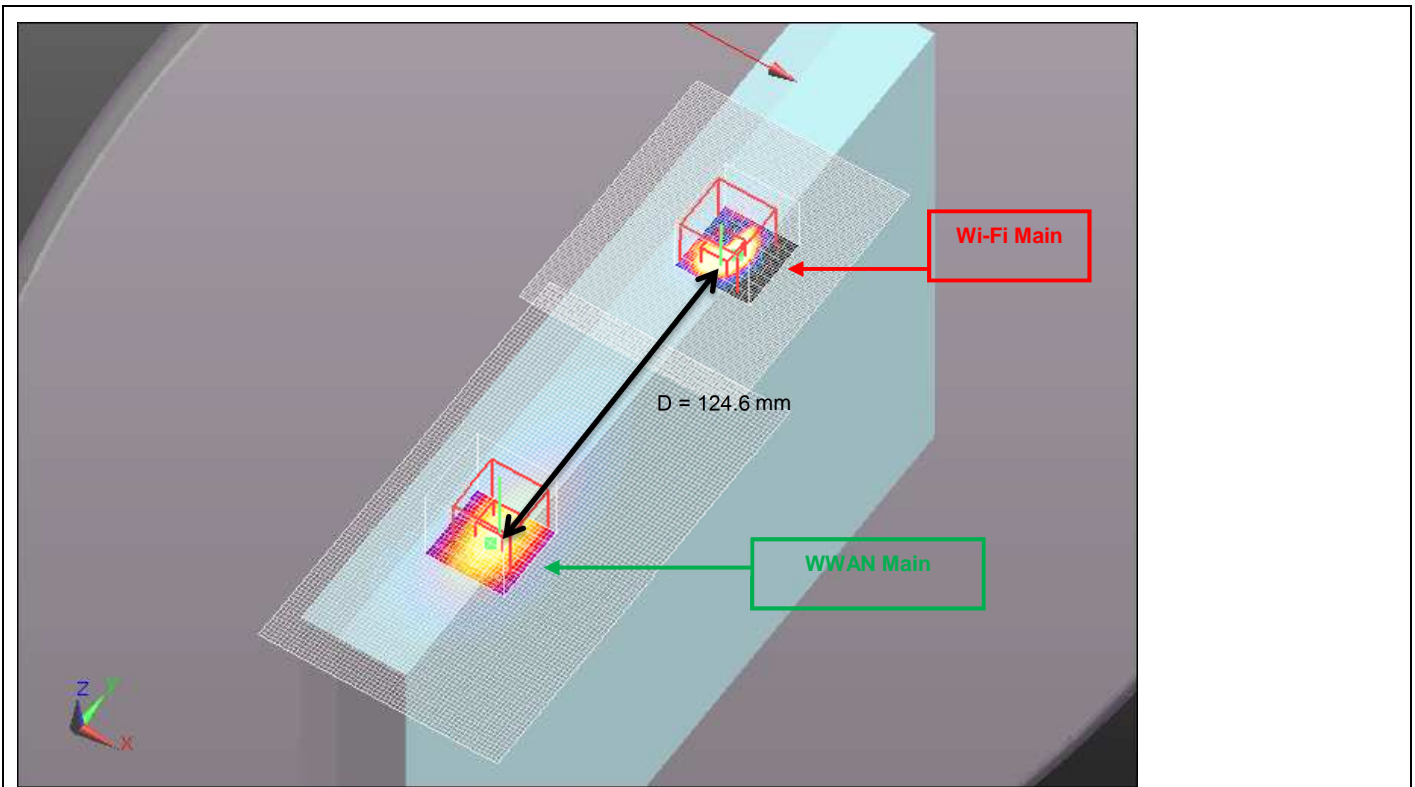
WLAN5.3GHz + WWAN
Figure (10)



Mode	Peak SAR mW/g	X m	Y m	Z m
Wi-Fi Main 5.3 GHz	0.922	-0.008	0.038	-0.18
LTE Band 25	1.73	-0.0005	-0.0825	-0.182
d: Calculated distance (mm)				
120.7				

The Peak Location Separation Distance is computed by using the formula below:
 $SQRT((X1-X2)^2+(Y1-Y2)^2+(Z1-Z2)^2)$

WLAN5.5GHz + WWAN
Figure (1)

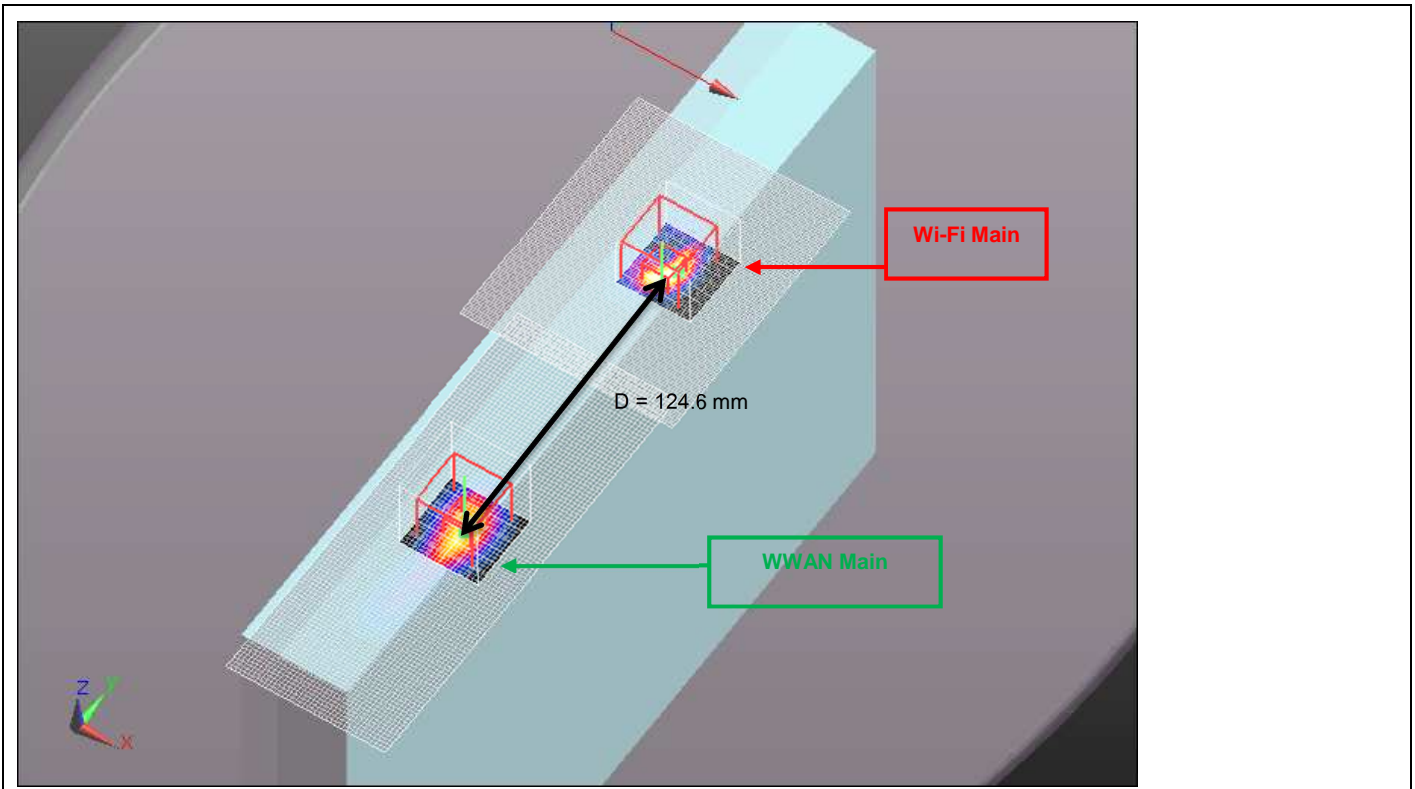


Mode	Peak SAR mW/g	X m	Y m	Z m
Wi-Fi Main 5.5 GHz	2.23	-0.004	0.035	-0.18
GSM850	1.13	-0.0045	-0.0895	-0.184

d: Calculated distance (mm)
124.6

The Peak Location Separation Distance is computed by using the formula below:
 $\text{SQRT}((X1-X2)^2+(Y1-Y2)^2+(Z1-Z2)^2)$

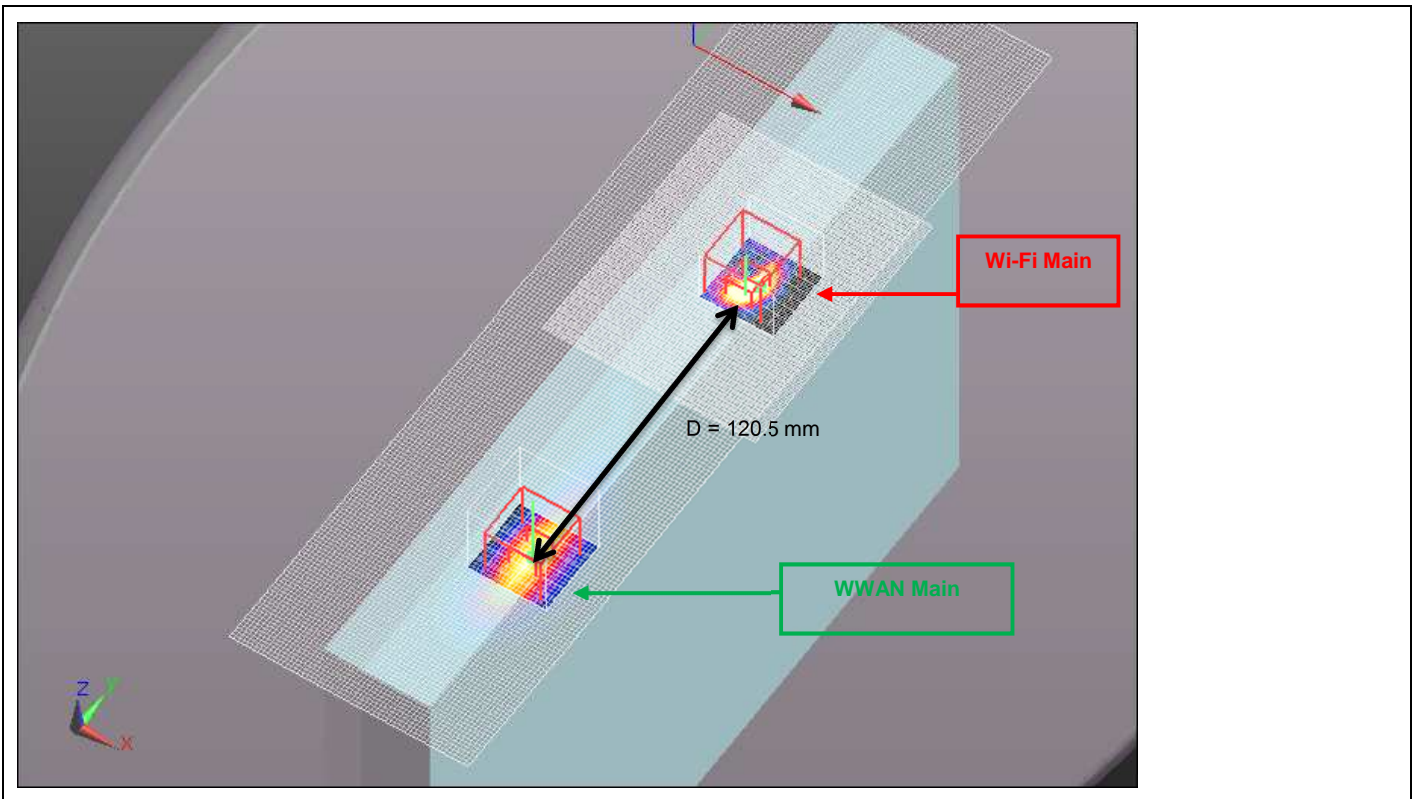
WLAN5.5GHz + WWAN
Figure (2)



Mode	Peak SAR mW/g	X m	Y m	Z m
Wi-Fi Main 5.5 GHz	2.23	-0.004	0.035	-0.18
PCS1900	1.92	-0.002	-0.0795	-0.183
d: Calculated distance (mm)				
114.6				

The Peak Location Separation Distance is computed by using the formula below:
 $SQRT((X1-X2)^2+(Y1-Y2)^2+(Z1-Z2)^2)$

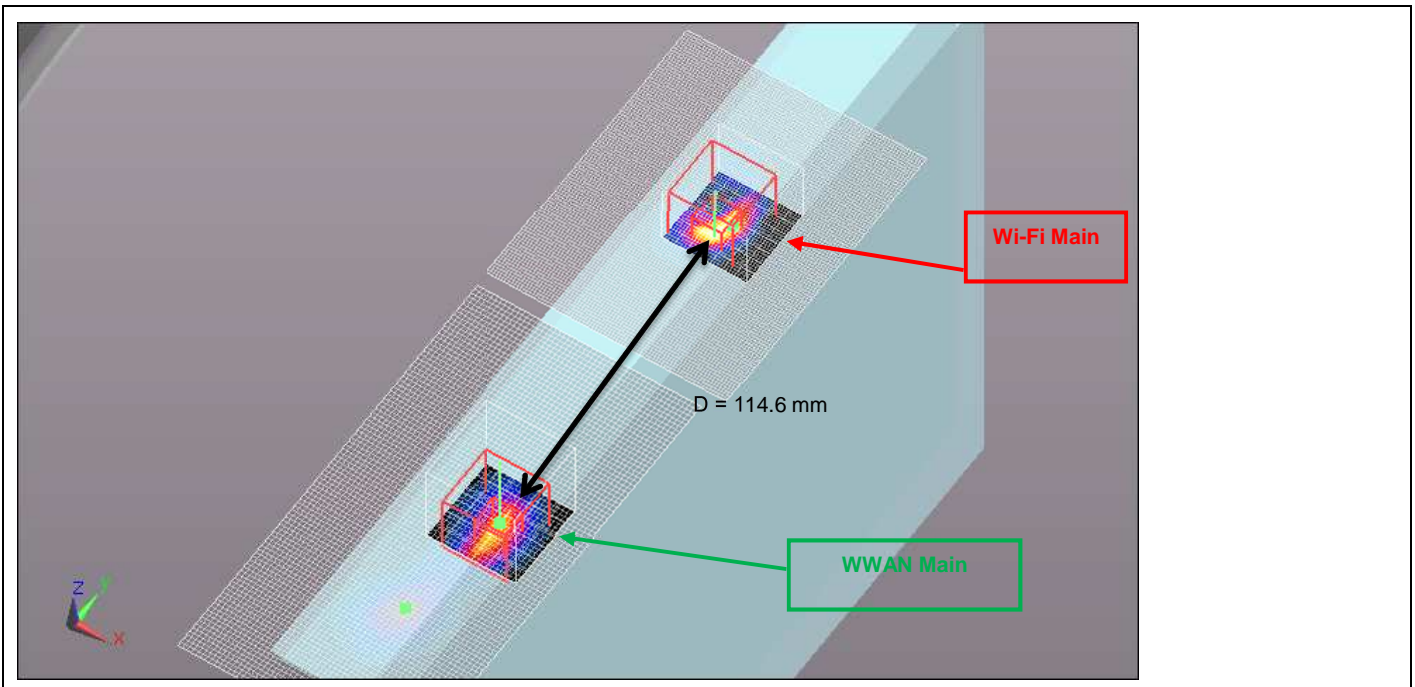
WLAN5.5GHz + WWAN
Figure (3)



Mode	Peak SAR	X	Y	Z
	mW/g	m	m	m
Wi-Fi Main 5.5 GHz	2.23	-0.004	0.035	-0.18
WCDMA Band V	1.62	-0.0035	-0.0855	-0.183
d: Calculated distance (mm)				
120.5				

The Peak Location Separation Distance is computed by using the formula below:
 $SQRT((X1-X2)^2+(Y1-Y2)^2+(Z1-Z2)^2)$

WLAN5.5GHz + WWAN
Figure (4)

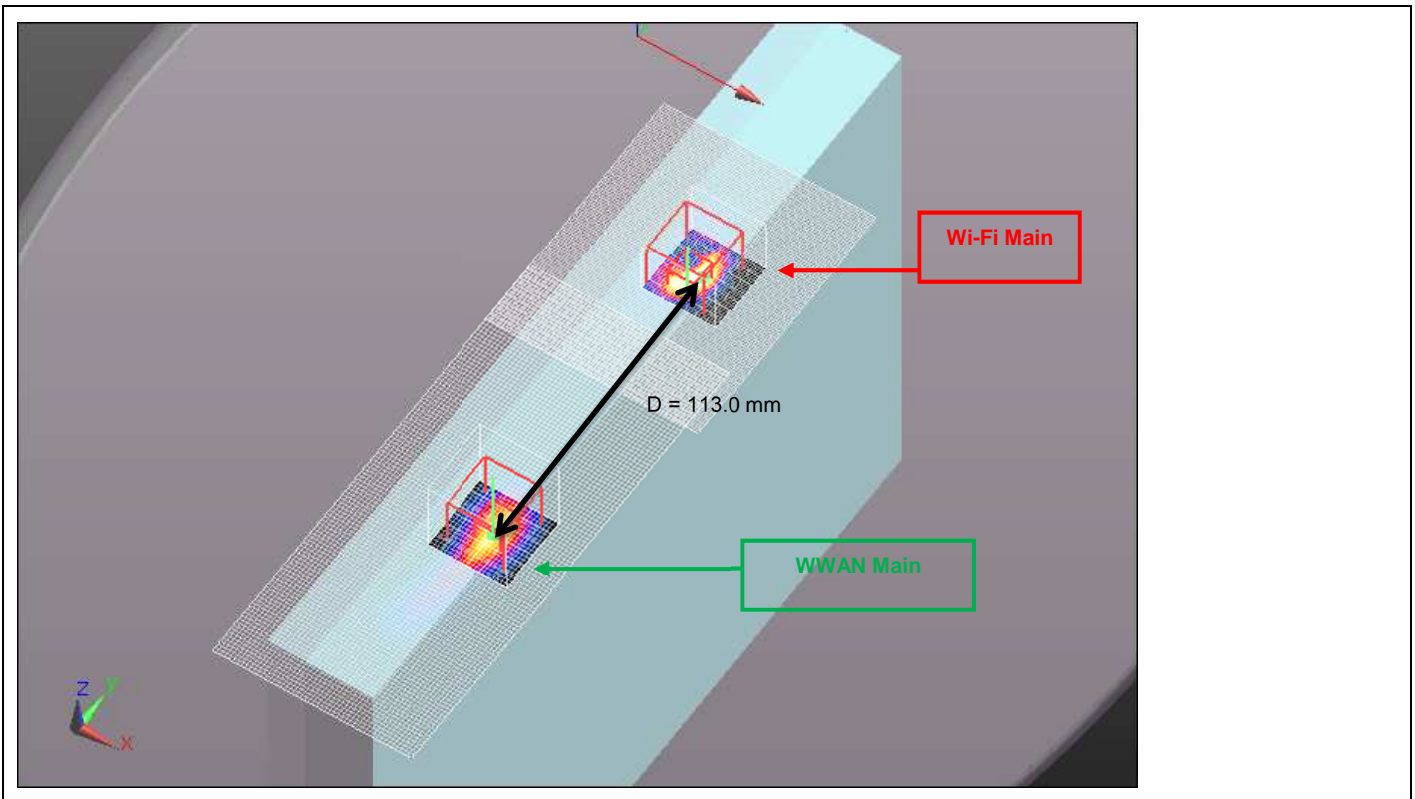


Mode	Peak SAR	X	Y	Z
	mW/g	m	m	m
Wi-Fi Main 5.5 GHz	2.23	-0.004	0.035	-0.18
WCDMA Band IV	1.79	0.001	-0.0795	-0.182

d: Calculated distance (mm)	
114.6	

The Peak Location Separation Distance is computed by using the formula below:
 $SQRT((X1-X2)^2+(Y1-Y2)^2+(Z1-Z2)^2)$

WLAN5.5GHz + WWAN
Figure (5)



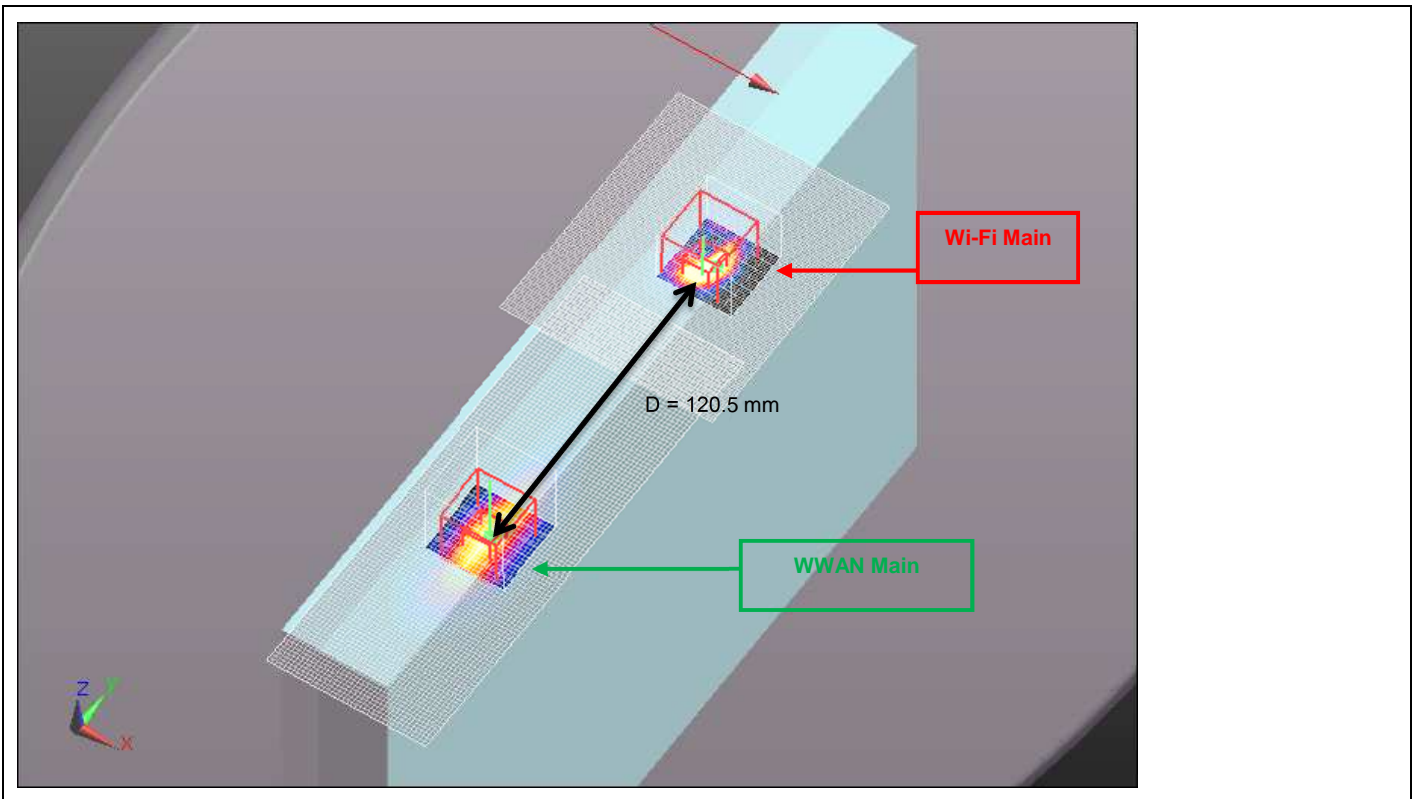
Mode	Peak SAR	X	Y	Z
	mW/g	m	m	m
Wi-Fi Main 5.5 GHz	2.23	-0.004	0.035	-0.18
WCDMA Band II	1.59	-0.002	-0.078	-0.182

d: Calculated distance (mm)	
113.0	

The Peak Location Separation Distance is computed by using the formula below:
 $SQRT((X1-X2)^2+(Y1-Y2)^2+(Z1-Z2)^2)$

WLAN5.5GHz + WWAN

Figure (6)

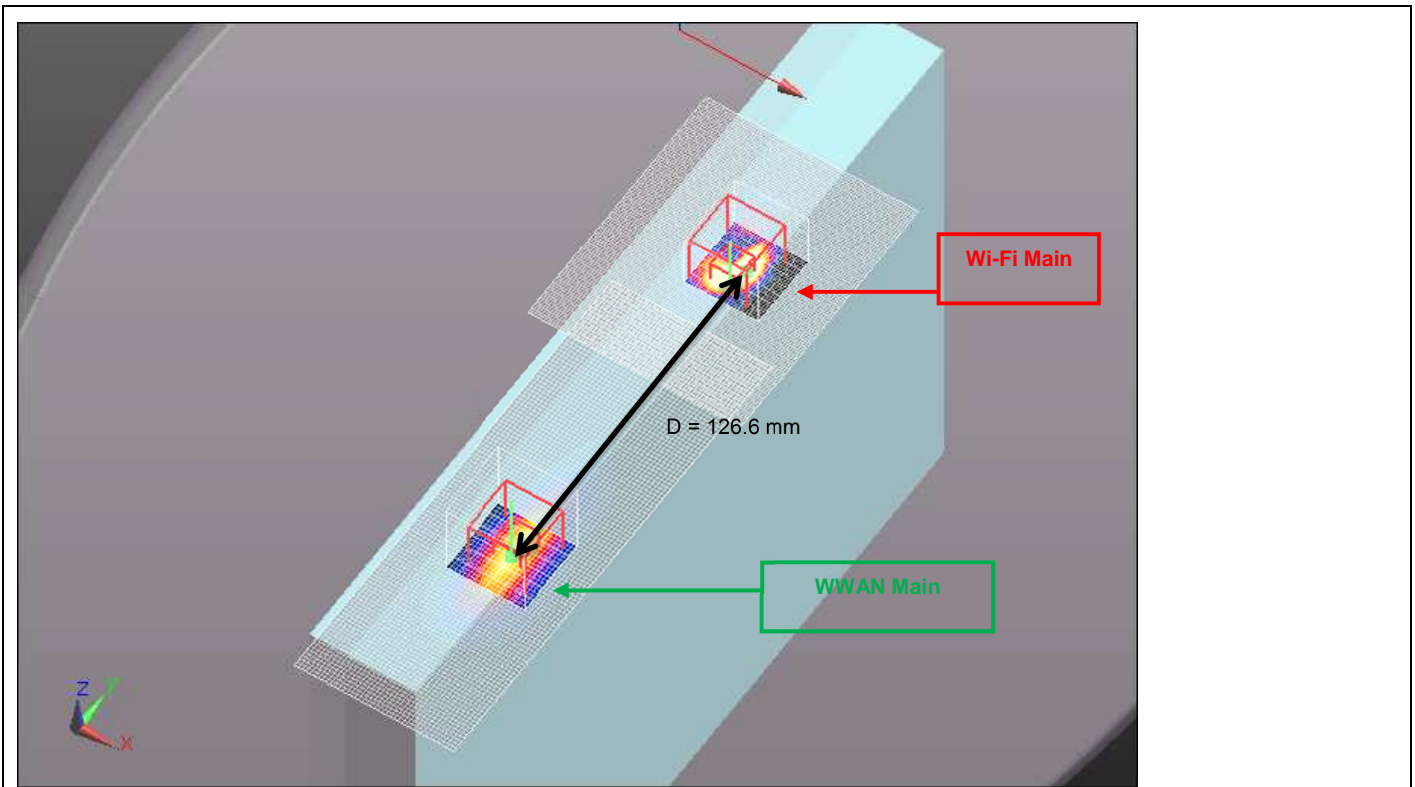


Mode	Peak SAR	X	Y	Z
	mW/g	m	m	m
Wi-Fi Main 5.5 GHz	2.23	-0.004	0.035	-0.18
CDMA BC0 1xRTT	1.54	-0.0035	-0.0855	-0.183

d: Calculated distance (mm)
120.5

The Peak Location Separation Distance is computed by using the formula below:
 $SQRT((X1-X2)^2+(Y1-Y2)^2+(Z1-Z2)^2)$

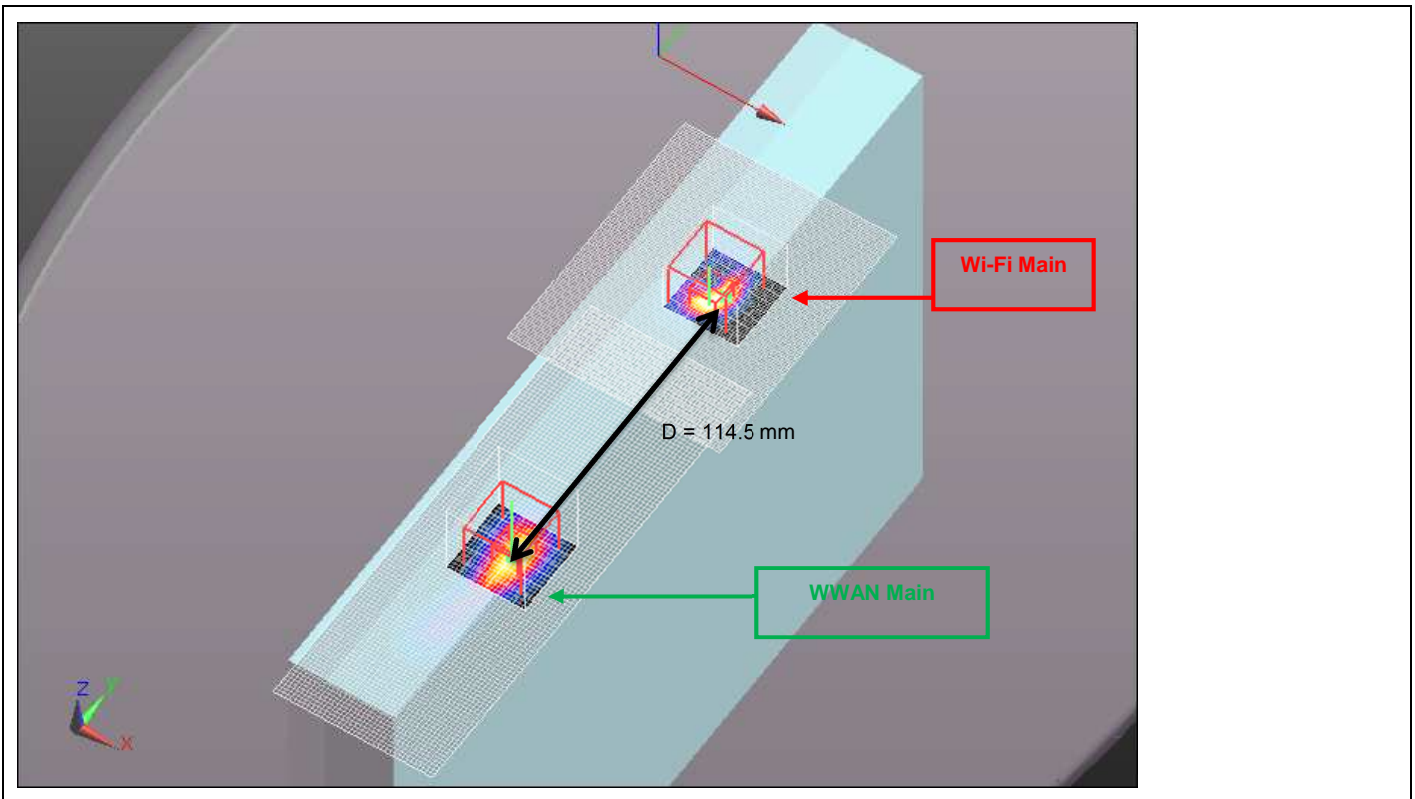
WLAN5.5GHz + WWAN
Figure (7)



Mode	Peak SAR	X	Y	Z
	mW/g	m	m	m
Wi-Fi Main 5.5 GHz	2.23	-0.004	0.035	-0.18
CDMA BC0 EVDO	1.17	-0.002	-0.0915	-0.183
d: Calculated distance (mm)				
126.6				

The Peak Location Separation Distance is computed by using the formula below:
 $SQRT((X1-X2)^2+(Y1-Y2)^2+(Z1-Z2)^2)$

WLAN5.5GHz + WWAN
Figure (8)

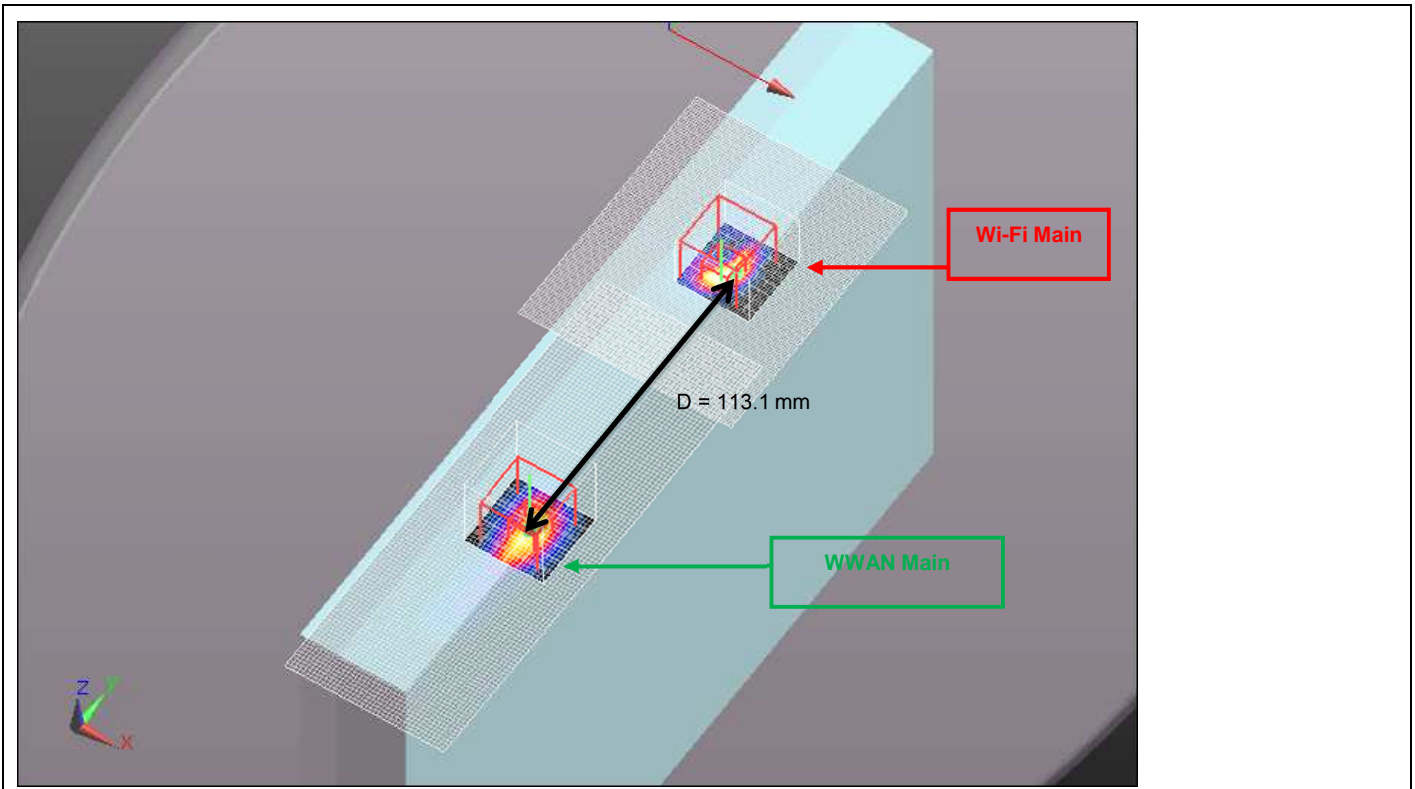


Mode	Peak SAR	X	Y	Z
	mW/g	m	m	m
Wi-Fi Main 5.5 GHz	2.23	-0.004	0.035	-0.18
CDMA BC1 1xRTT	2.09	-0.002	-0.0795	-0.182

d: Calculated distance (mm)
114.5

The Peak Location Separation Distance is computed by using the formula below:
 $SQRT((X1-X2)^2+(Y1-Y2)^2+(Z1-Z2)^2)$

WLAN5.5GHz + WWAN
Figure (9)



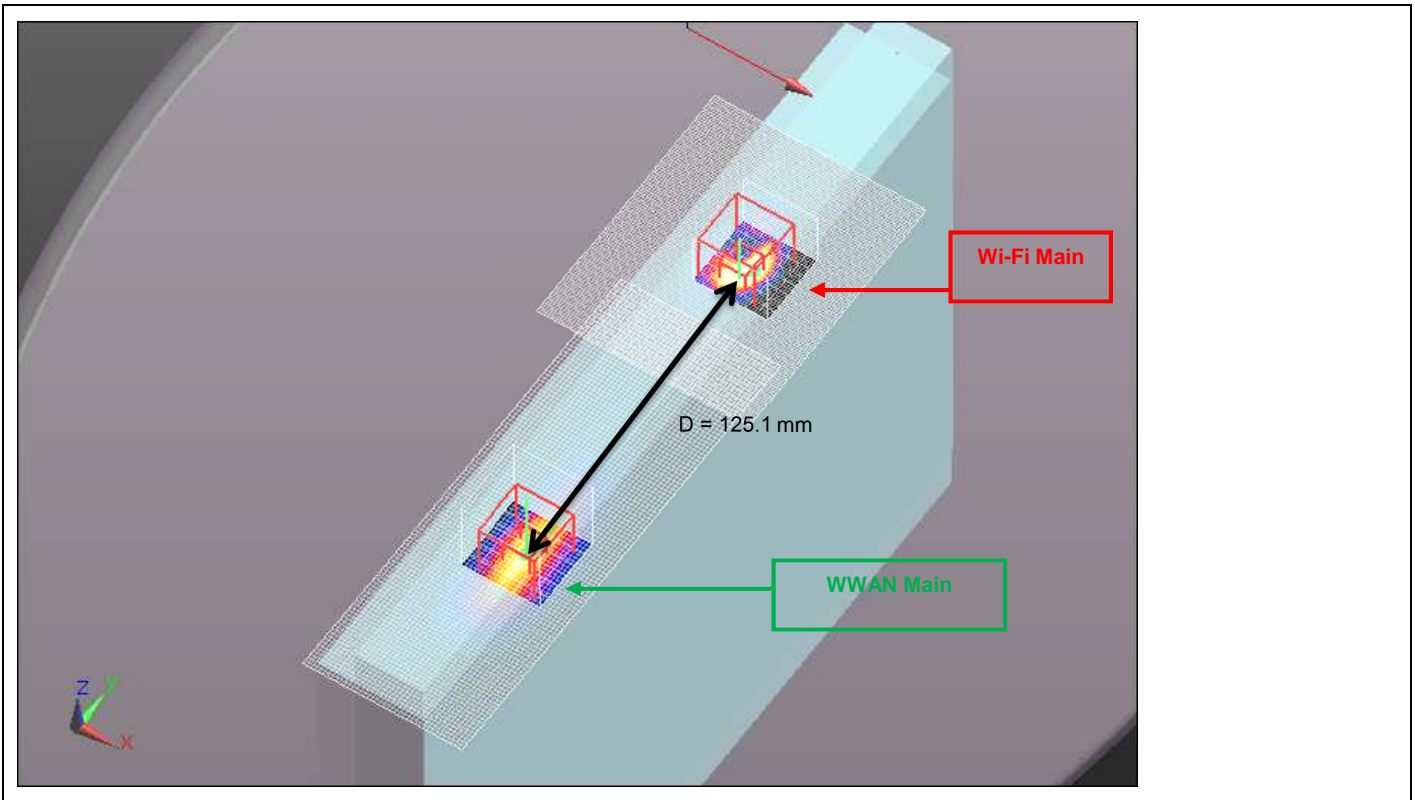
Mode	Peak SAR mW/g	X m	Y m	Z m
Wi-Fi Main 5.5 GHz	2.23	-0.004	0.035	-0.18
CDMA BC1 EVDO	2.01	-0.0005	-0.078	-0.183

d: Calculated distance (mm)	
113.1	

The Peak Location Separation Distance is computed by using the formula below:

$$\text{SQRT}((X1-X2)^2+(Y1-Y2)^2+(Z1-Z2)^2)$$

WLAN5.5GHz + WWAN
Figure (10)



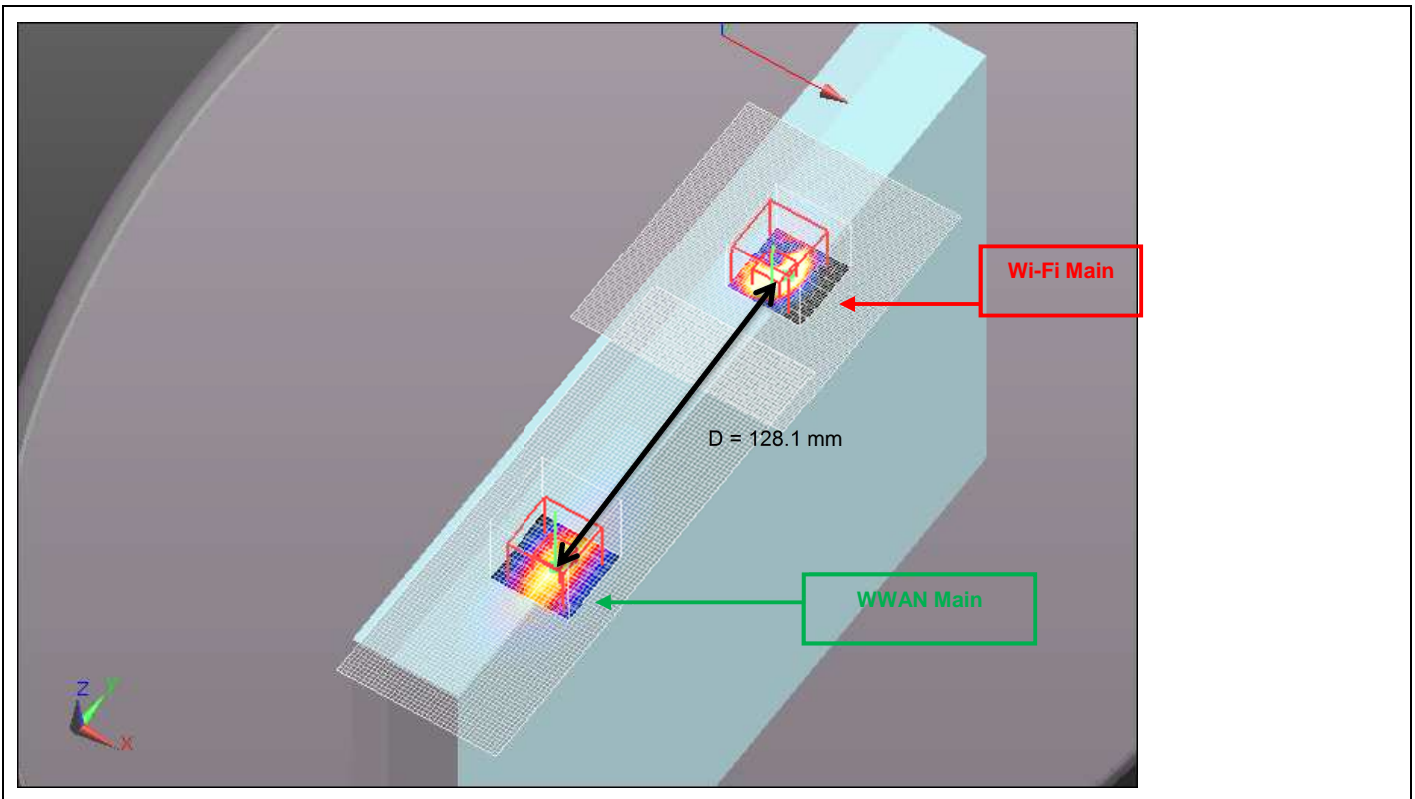
Mode	Peak SAR mW/g	X m	Y m	Z m
Wi-Fi Main 5.5 GHz	2.23	-0.004	0.035	-0.18
CDMA BC10 1xRTT	1.35	-0.0005	-0.09	-0.184

d: Calculated distance (mm)	
125.1	

The Peak Location Separation Distance is computed by using the formula below:

$$\text{SQRT}((X1-X2)^2+(Y1-Y2)^2+(Z1-Z2)^2)$$

WLAN5.5GHz + WWAN
Figure (11)

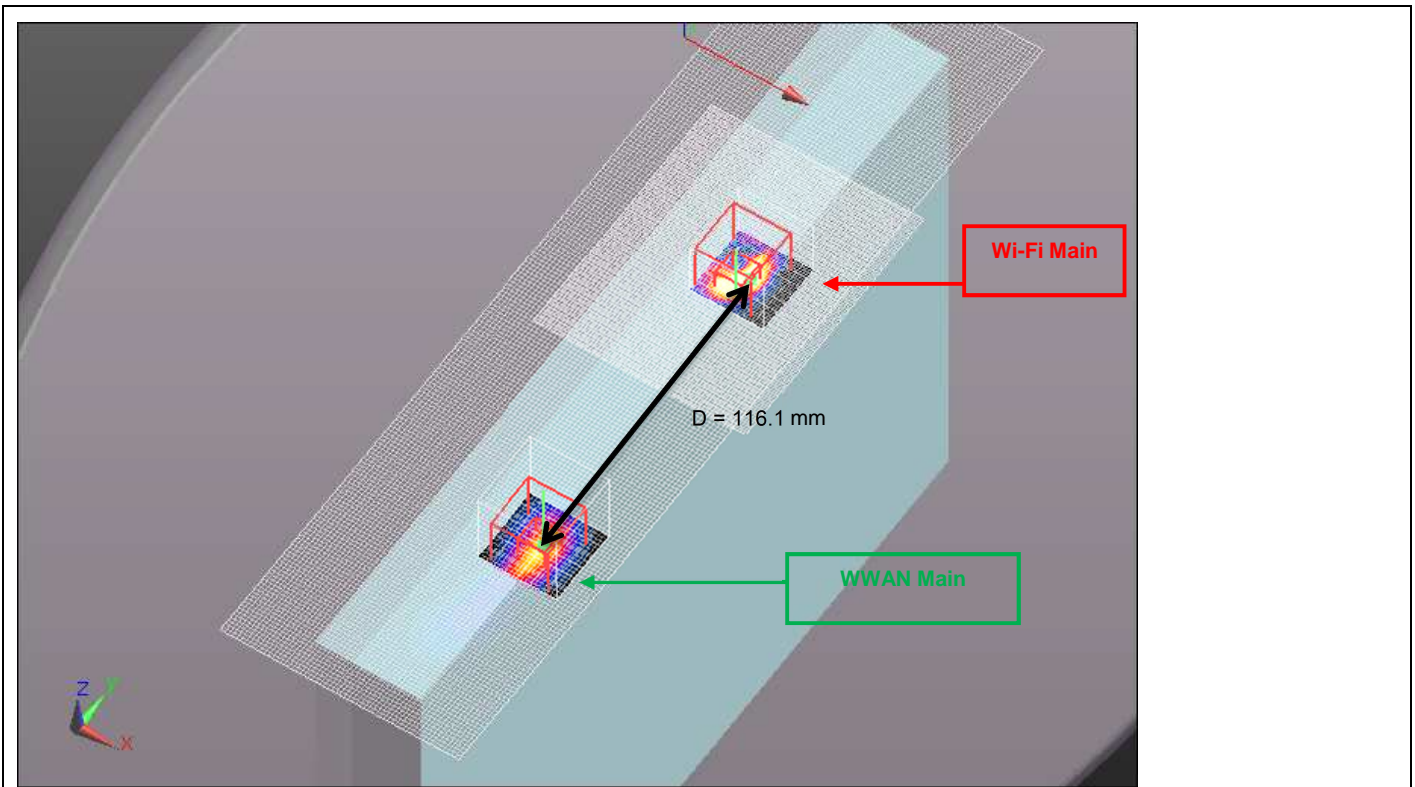


Mode	Peak SAR	X	Y	Z
	mW/g	m	m	m
Wi-Fi Main 5.5 GHz	2.23	-0.004	0.035	-0.18
CDMA BC10 EVDO	1.08	-0.0005	-0.093	-0.183

d: Calculated distance (mm)
128.1

The Peak Location Separation Distance is computed by using the formula below:
 $SQRT((X1-X2)^2+(Y1-Y2)^2+(Z1-Z2)^2)$

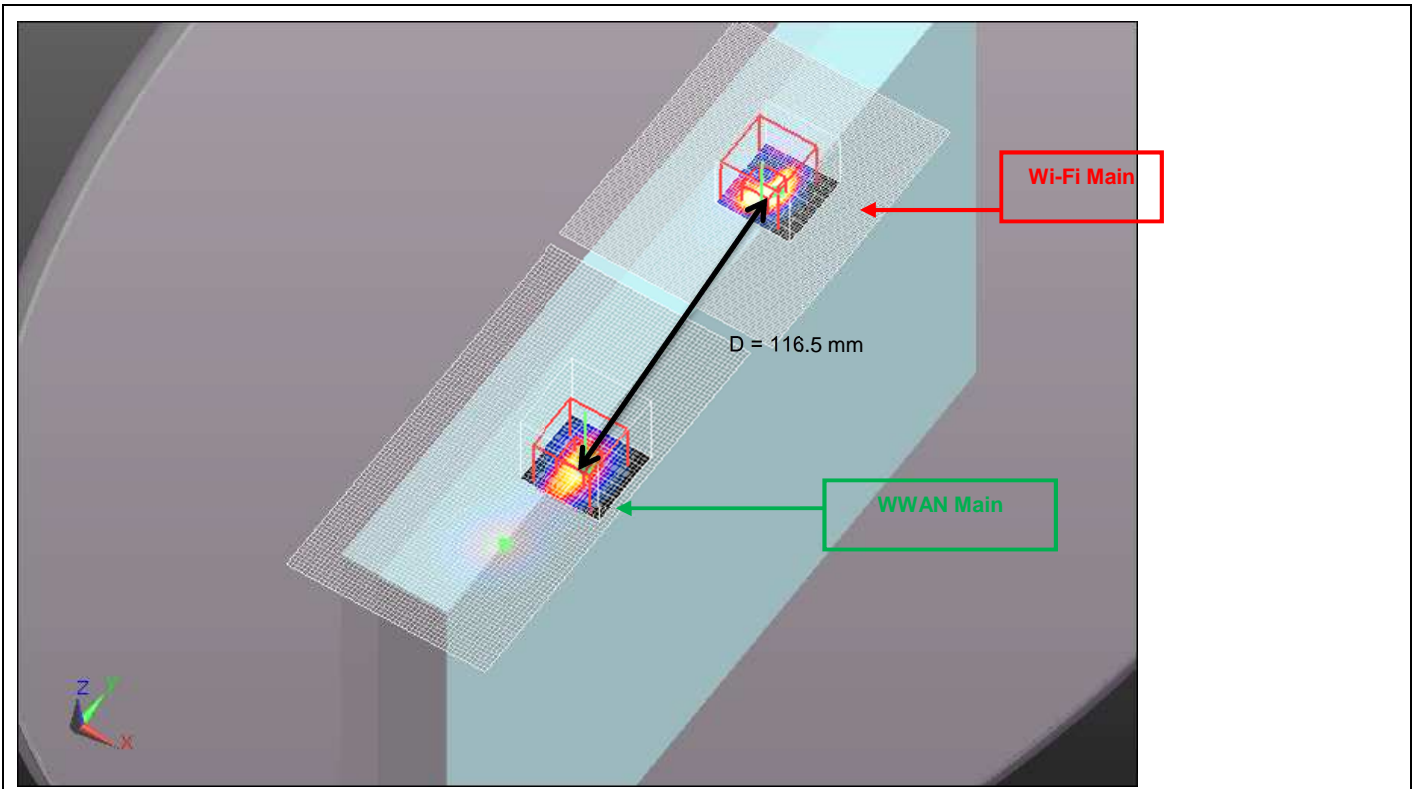
WLAN5.5GHz + WWAN
Figure (12)



Mode	Peak SAR	X	Y	Z
	mW/g	m	m	m
Wi-Fi Main 5.5 GHz	2.23	-0.004	0.035	-0.18
LTE Band 2	1.47	0.001	-0.081	-0.182
d: Calculated distance (mm)				
116.1				

The Peak Location Separation Distance is computed by using the formula below:
 $SQRT((X1-X2)^2+(Y1-Y2)^2+(Z1-Z2)^2)$

WLAN5.5GHz + WWAN
Figure (13)



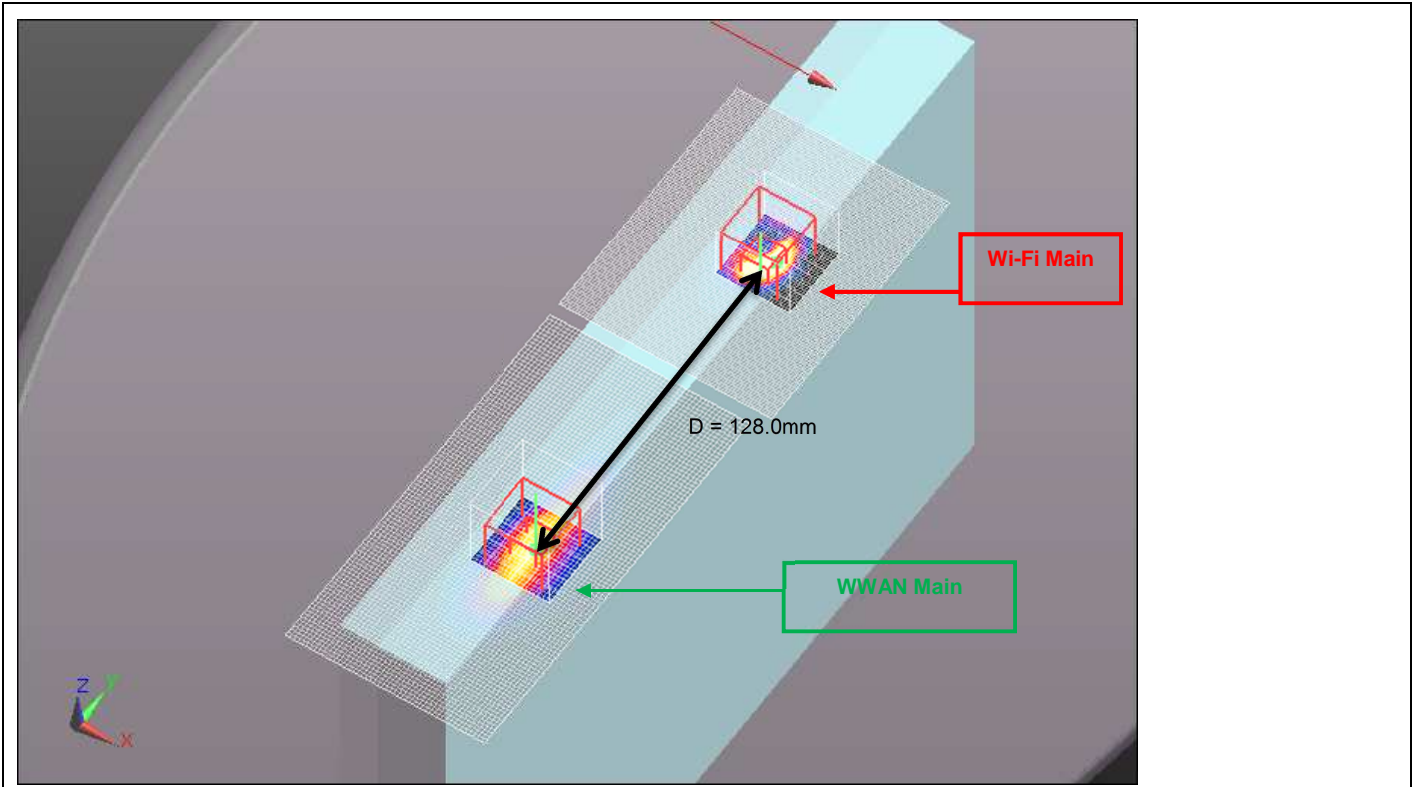
Mode	Peak SAR mW/g	X m	Y m	Z m
Wi-Fi Main 5.5 GHz	2.23	-0.004	0.035	-0.18
LTE Band 4	1.51	0.007	-0.081	-0.182

d: Calculated distance (mm)	
116.5	

The Peak Location Separation Distance is computed by using the formula below:

$$\text{SQRT}((X1-X2)^2+(Y1-Y2)^2+(Z1-Z2)^2)$$

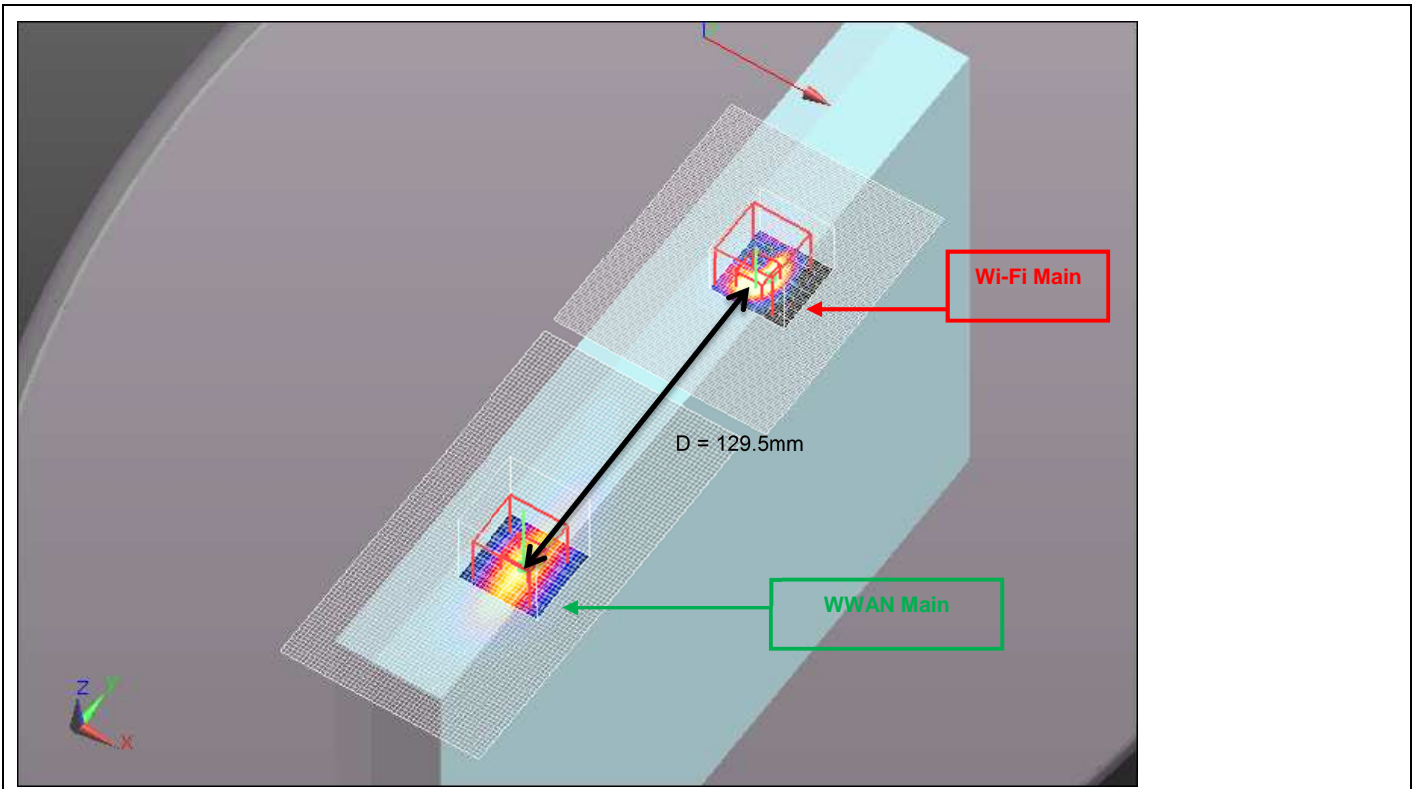
WLAN5.5GHz + WWAN
Figure (14)



Mode	Peak SAR	X	Y	Z
	mW/g	m	m	m
Wi-Fi Main 5.5 GHz	2.23	-0.004	0.035	-0.18
LTE Band 5	1.39	-0.0035	-0.093	-0.182
d: Calculated distance (mm)				
128.0				

The Peak Location Separation Distance is computed by using the formula below:
 $SQRT((X1-X2)^2+(Y1-Y2)^2+(Z1-Z2)^2)$

WLAN5.5GHz + WWAN
Figure (15)

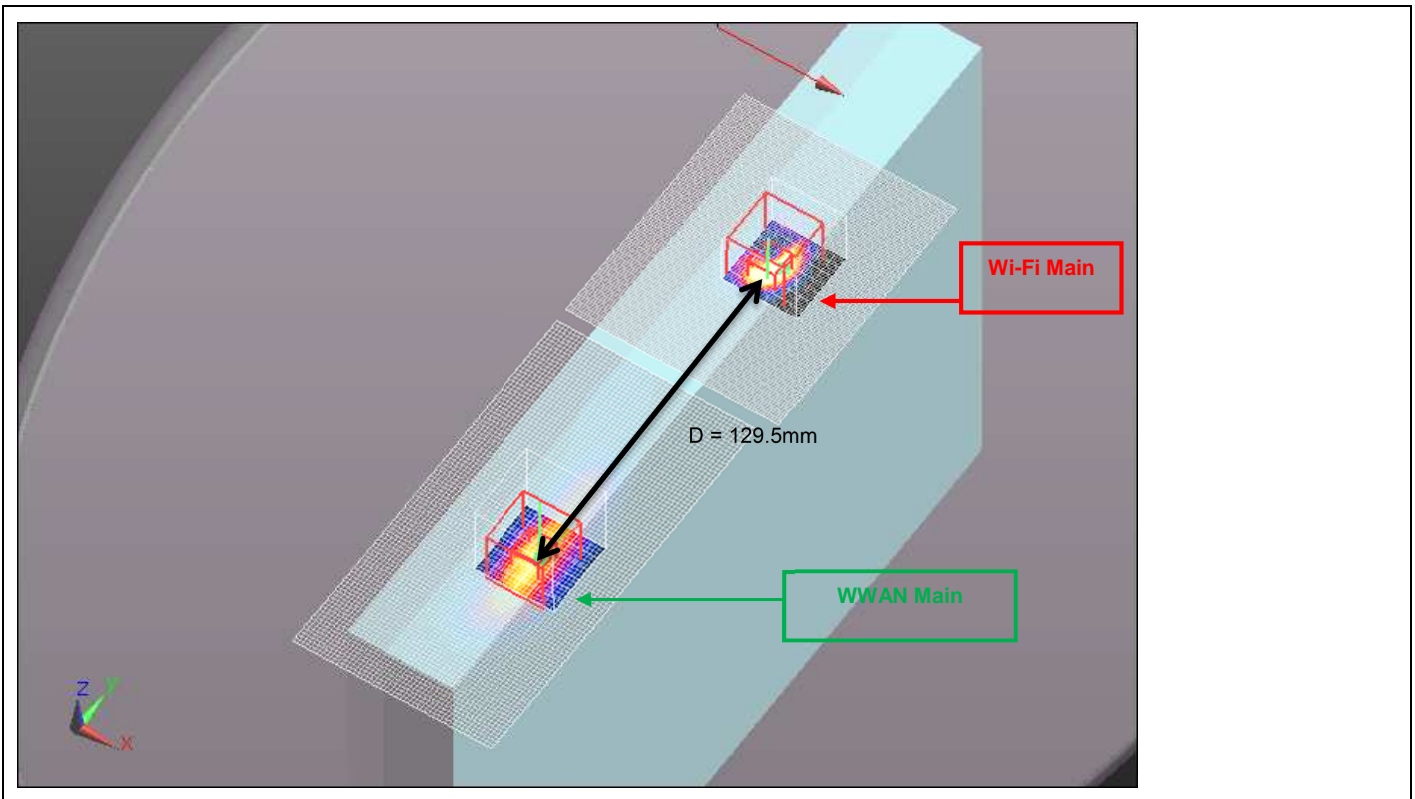


Mode	Peak SAR mW/g	X m	Y m	Z m
Wi-Fi Main 5.5 GHz	2.23	-0.004	0.035	-0.18
LTE Band 13	1.45	-0.005	-0.0945	-0.182

d: Calculated distance (mm)	
129.5	

The Peak Location Separation Distance is computed by using the formula below:
 $SQRT((X1-X2)^2+(Y1-Y2)^2+(Z1-Z2)^2)$

WLAN5.5GHz + WWAN
Figure (16)

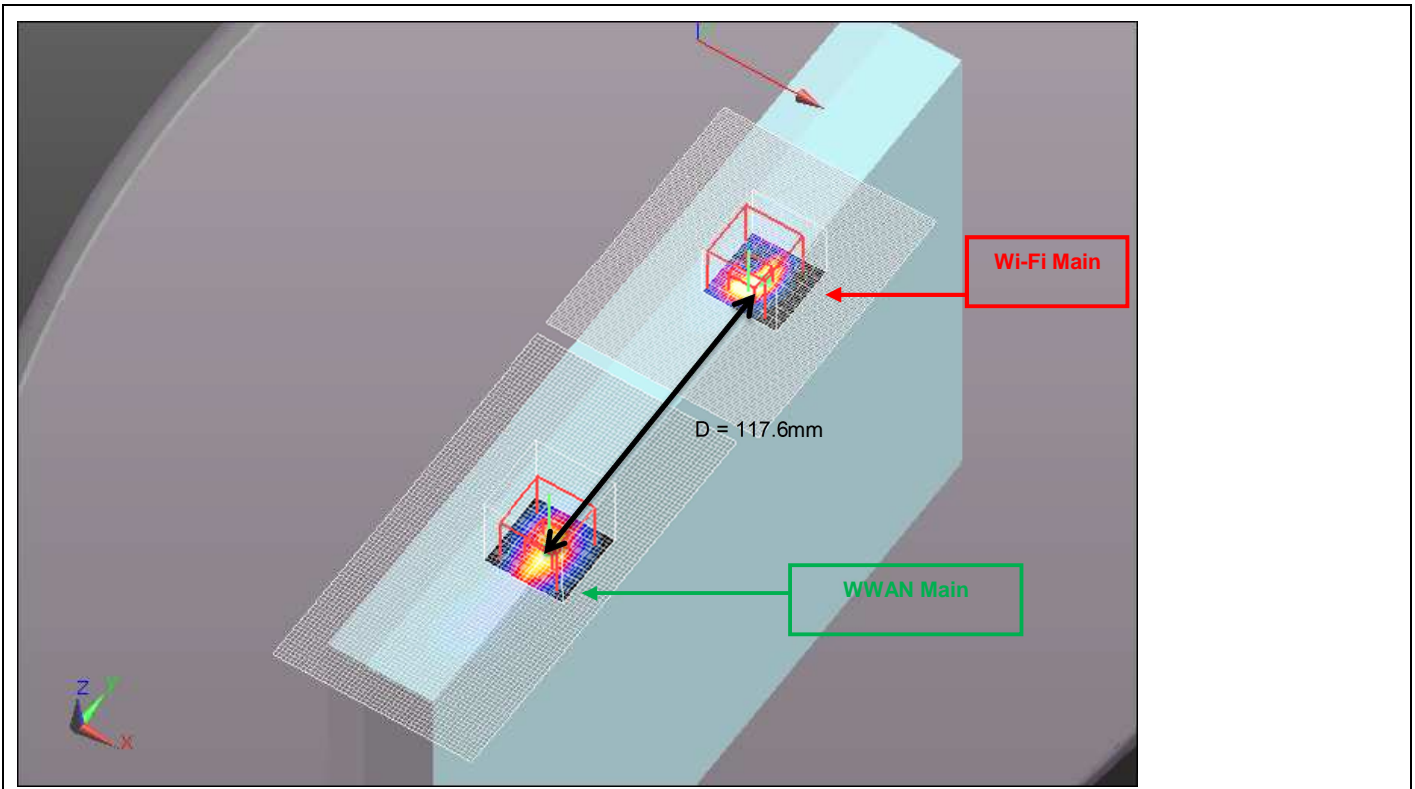


Mode	Peak SAR mW/g	X m	Y m	Z m
Wi-Fi Main 5.5 GHz	2.23	-0.004	0.035	-0.18
LTE Band 17	1.56	-0.0035	-0.0945	-0.183

d: Calculated distance (mm)	
129.5	

The Peak Location Separation Distance is computed by using the formula below:
 $SQRT((X1-X2)^2+(Y1-Y2)^2+(Z1-Z2)^2)$

WLAN5.5GHz + WWAN
Figure (17)



Mode	Peak SAR mW/g	X m	Y m	Z m
Wi-Fi Main 5.5 GHz	2.23	-0.004	0.035	-0.18
LTE Band 25	1.73	-0.0005	-0.0825	-0.182
d: Calculated distance (mm)				
117.6				

The Peak Location Separation Distance is computed by using the formula below:
 $SQRT((X1-X2)^2+(Y1-Y2)^2+(Z1-Z2)^2)$