

1

2

3

4

A

A

B

B

C

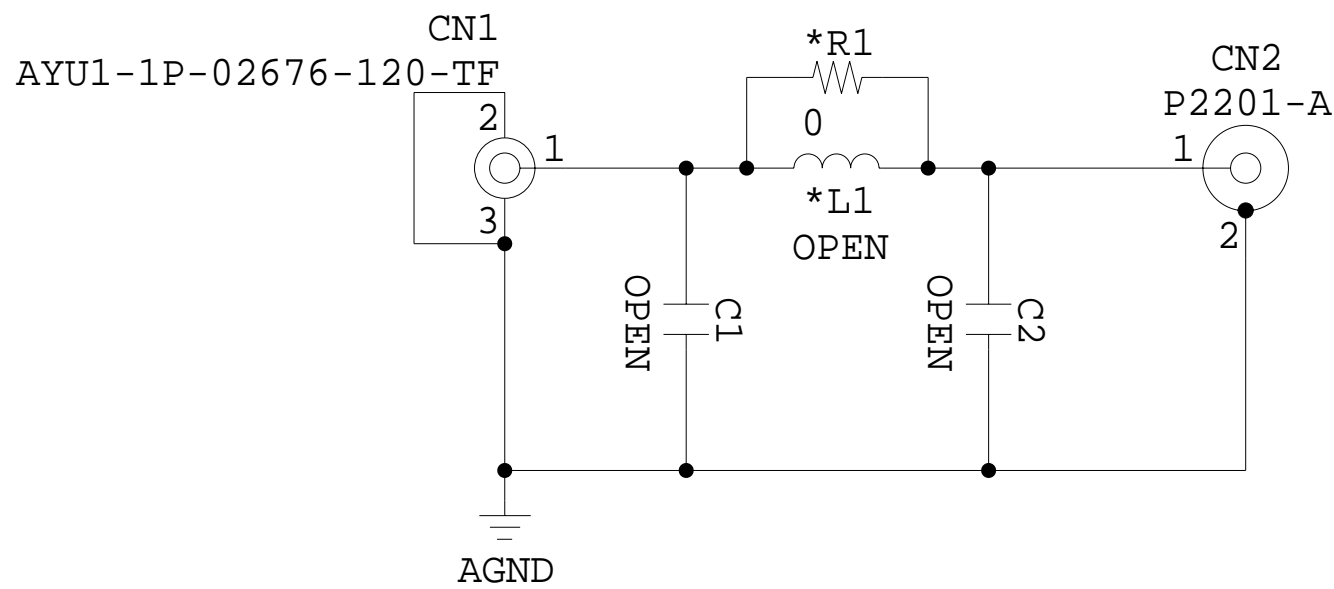
C

D

D

E

E



F

F

3									
2									
1									
Sym.	Date	Revision			Sign	Checked	'03.04.18		
Material & Size		Process		Remark		Type	XC2010KC1A		
Scale	Design	Drawn	Checked	Approved		DWG Name	Center Module BNC Circuit Diagrami		
	S.OHGO '03.04.15	K.KIMATA 03/07/07				DWGorPart No.	A13AJ111A4		

Matsushita Electric Industrial Co.,Ltd.

Ref.No.	WX-CC2010P	1/1
---------	------------	-----

FRD NAME U:/workspace/sd/a13aj111/a4/1

SHT NAME a13aj111.cir/001.sht