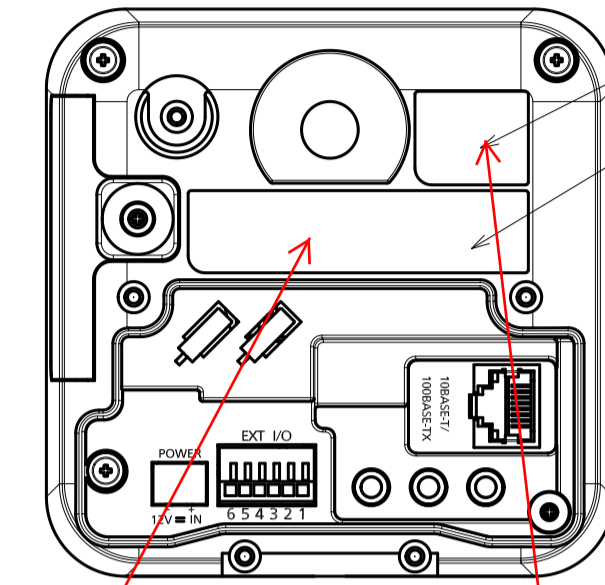
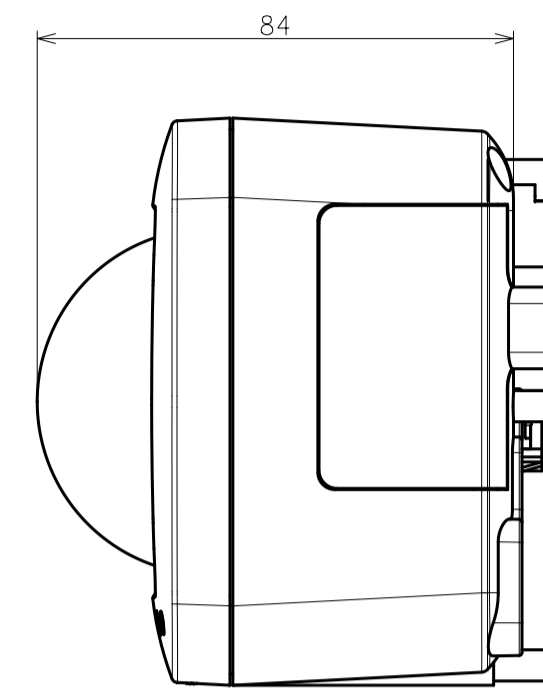
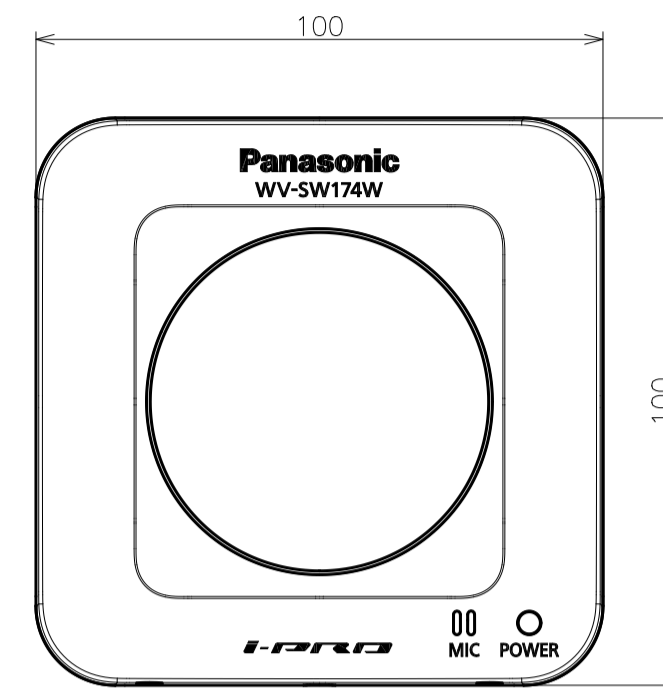
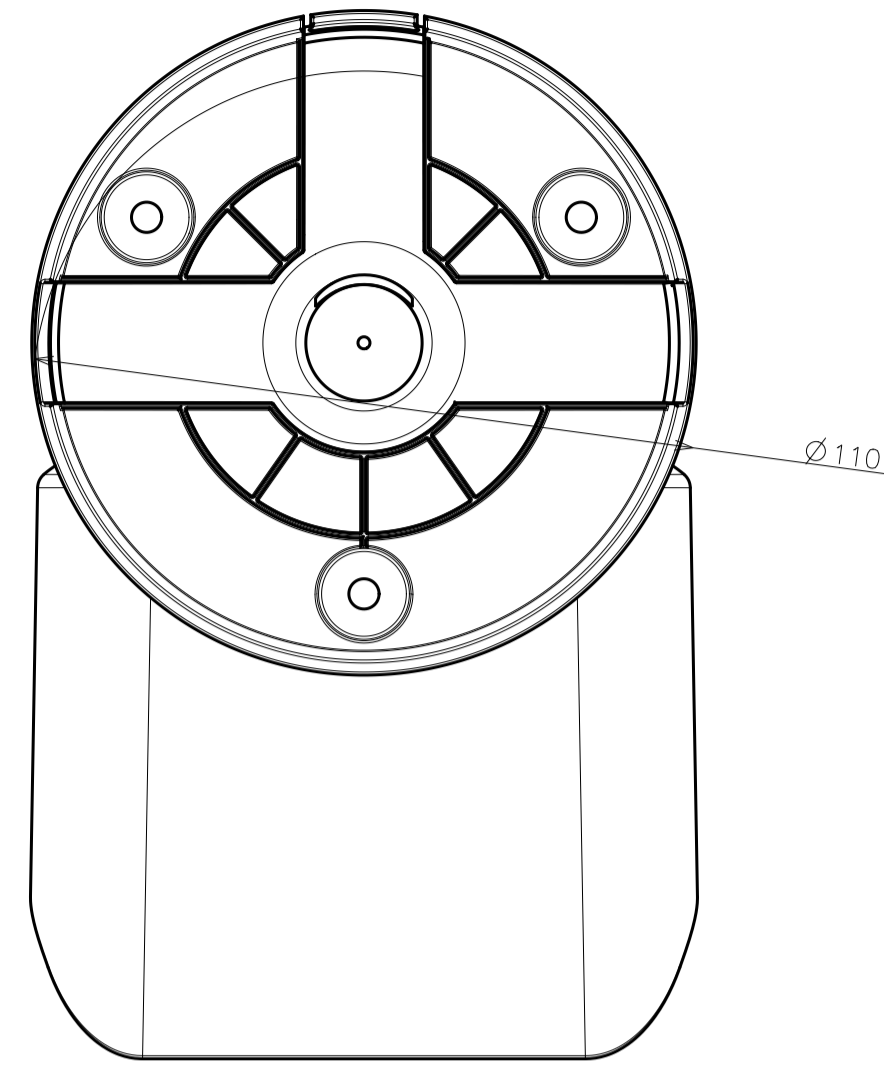
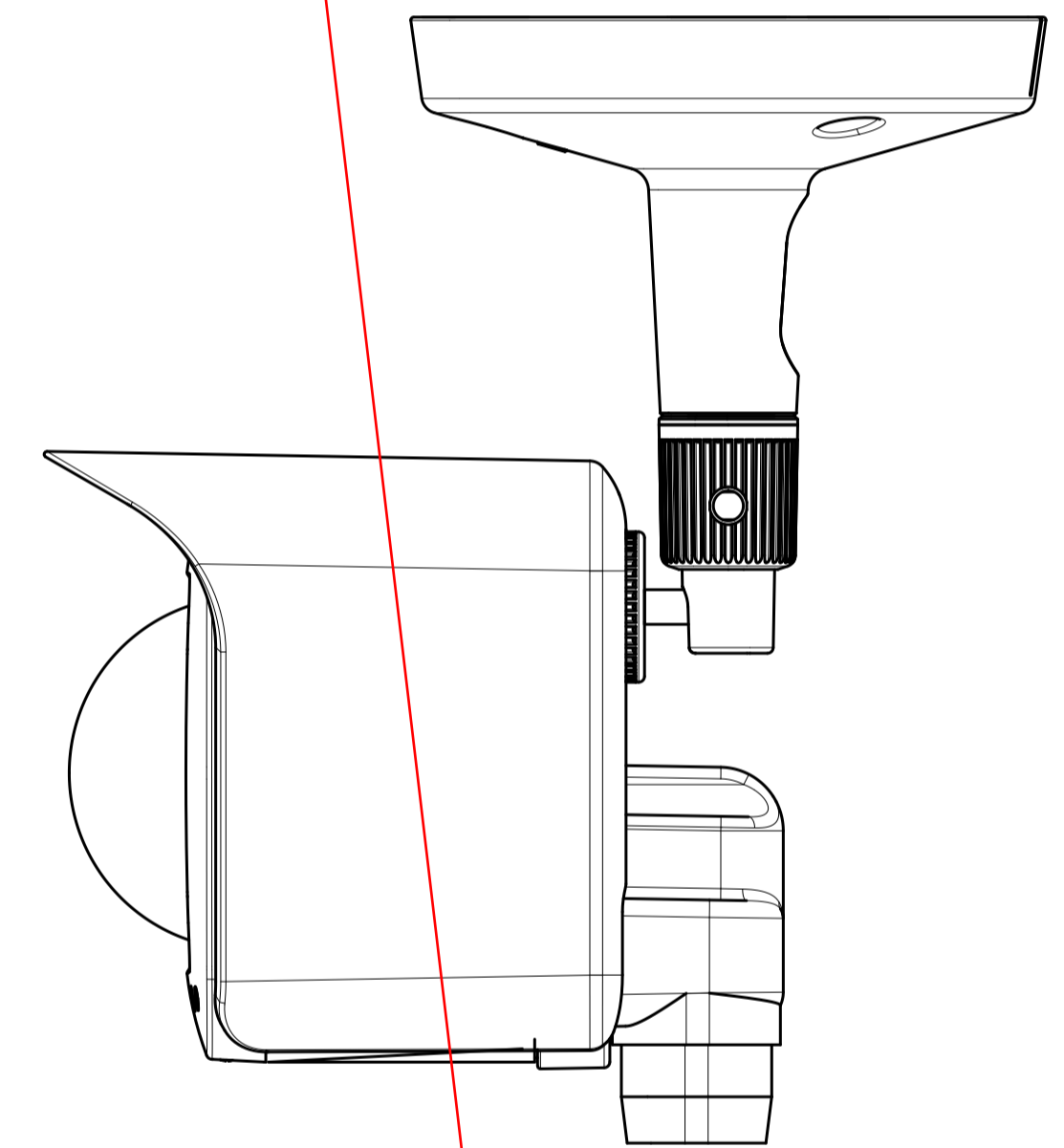
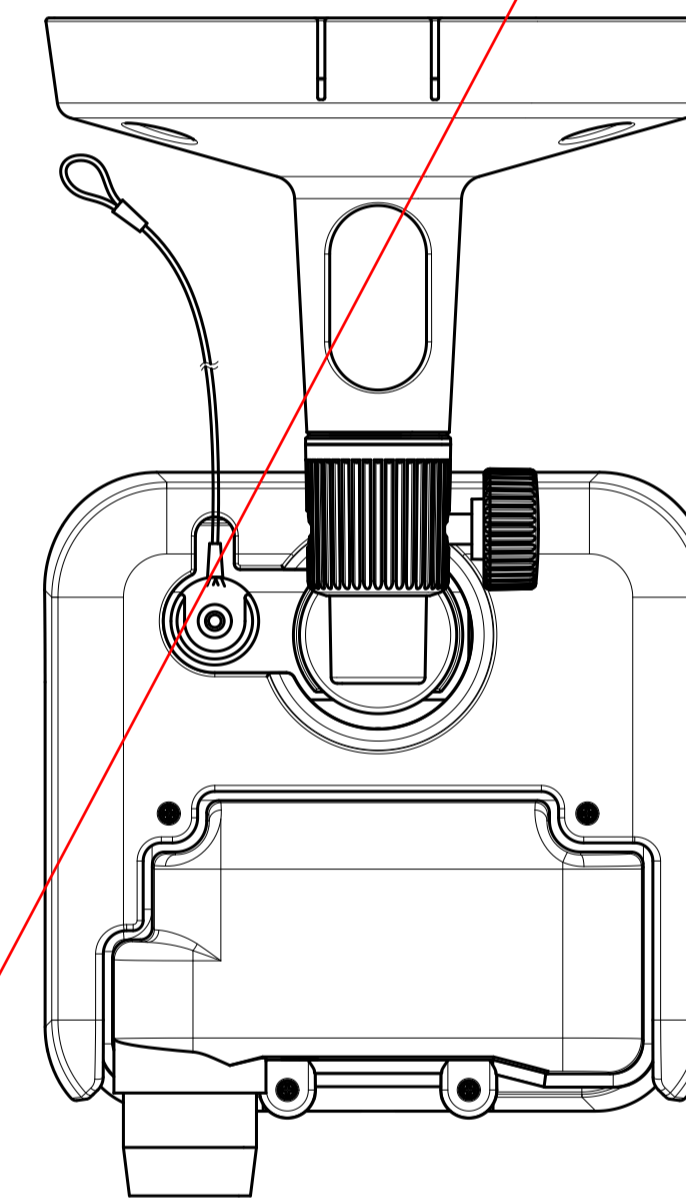
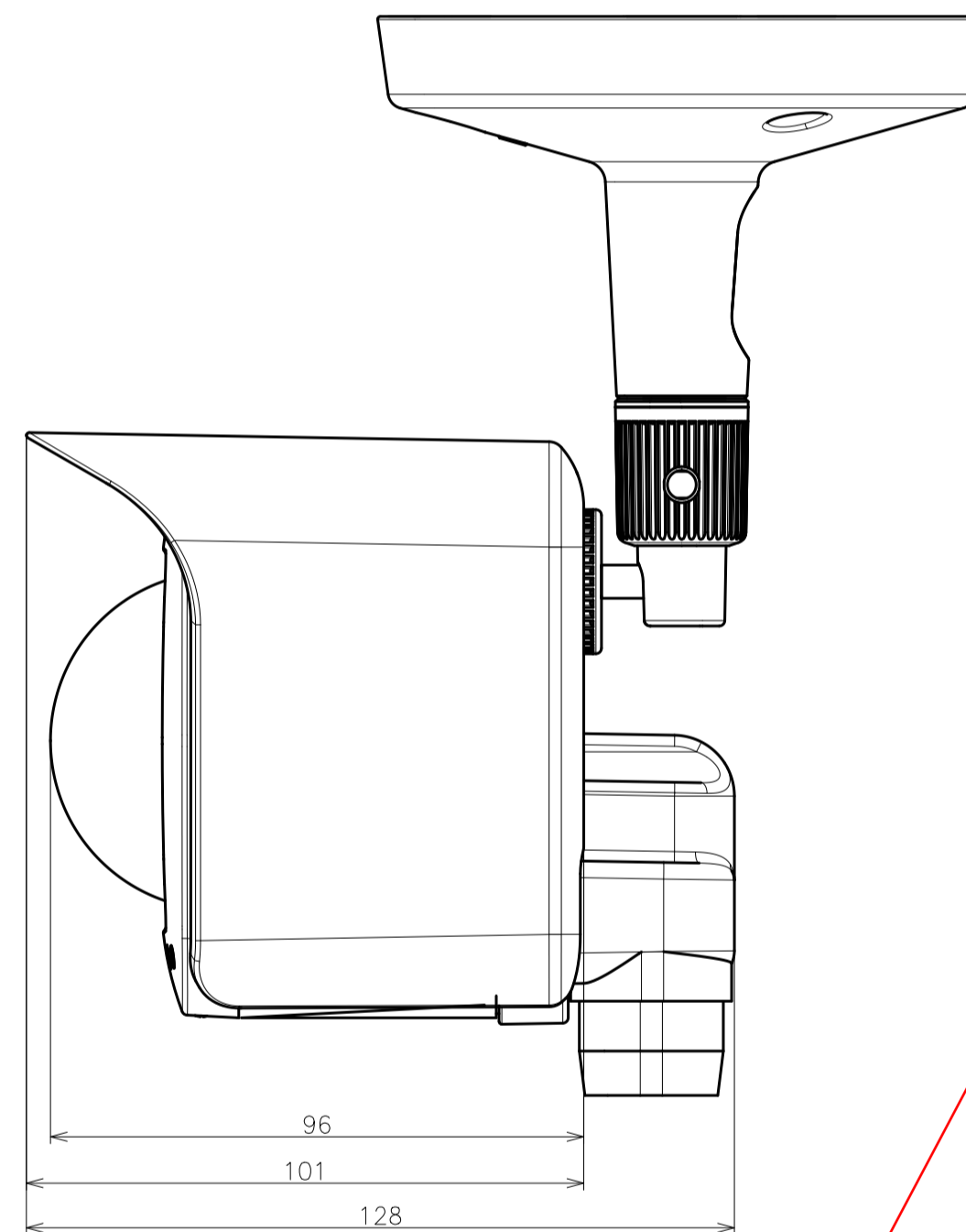
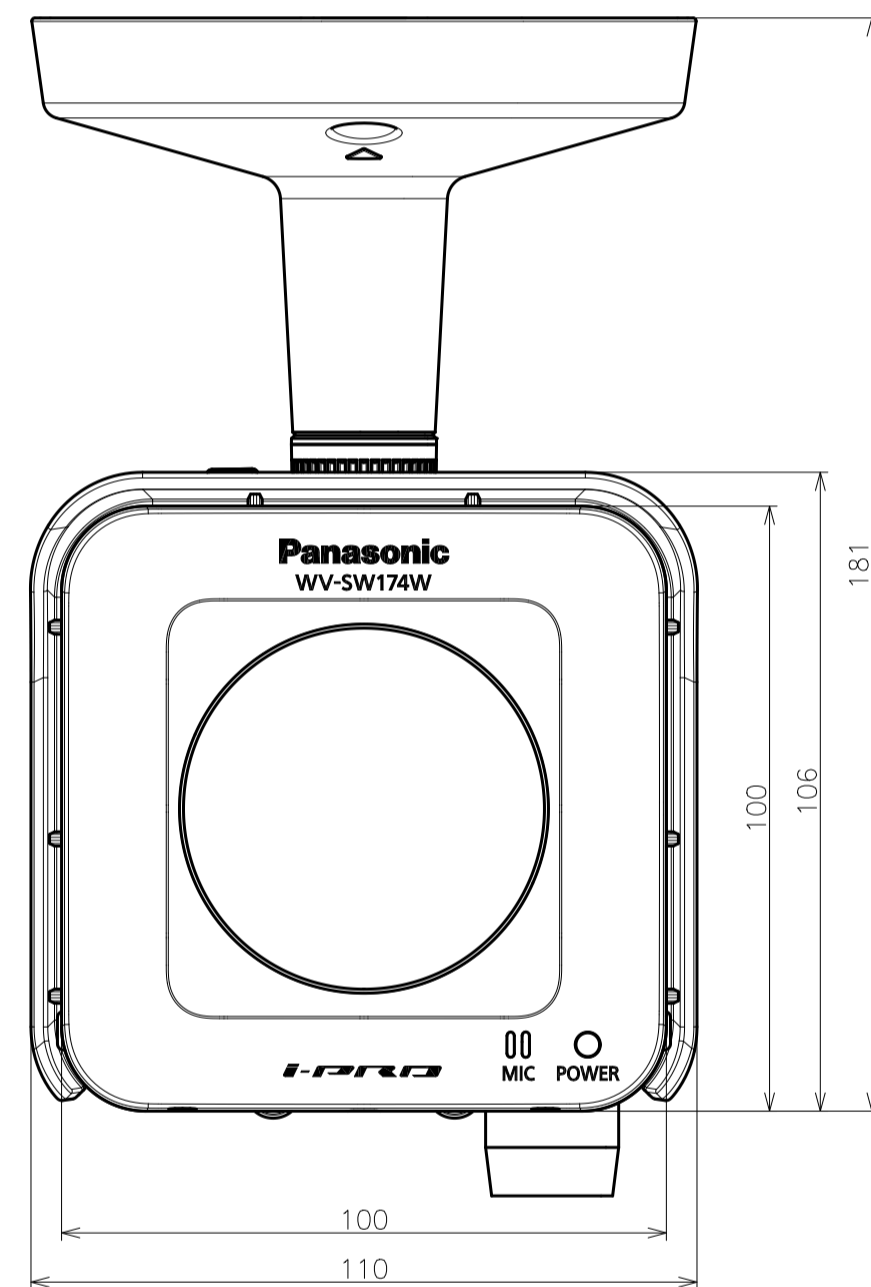
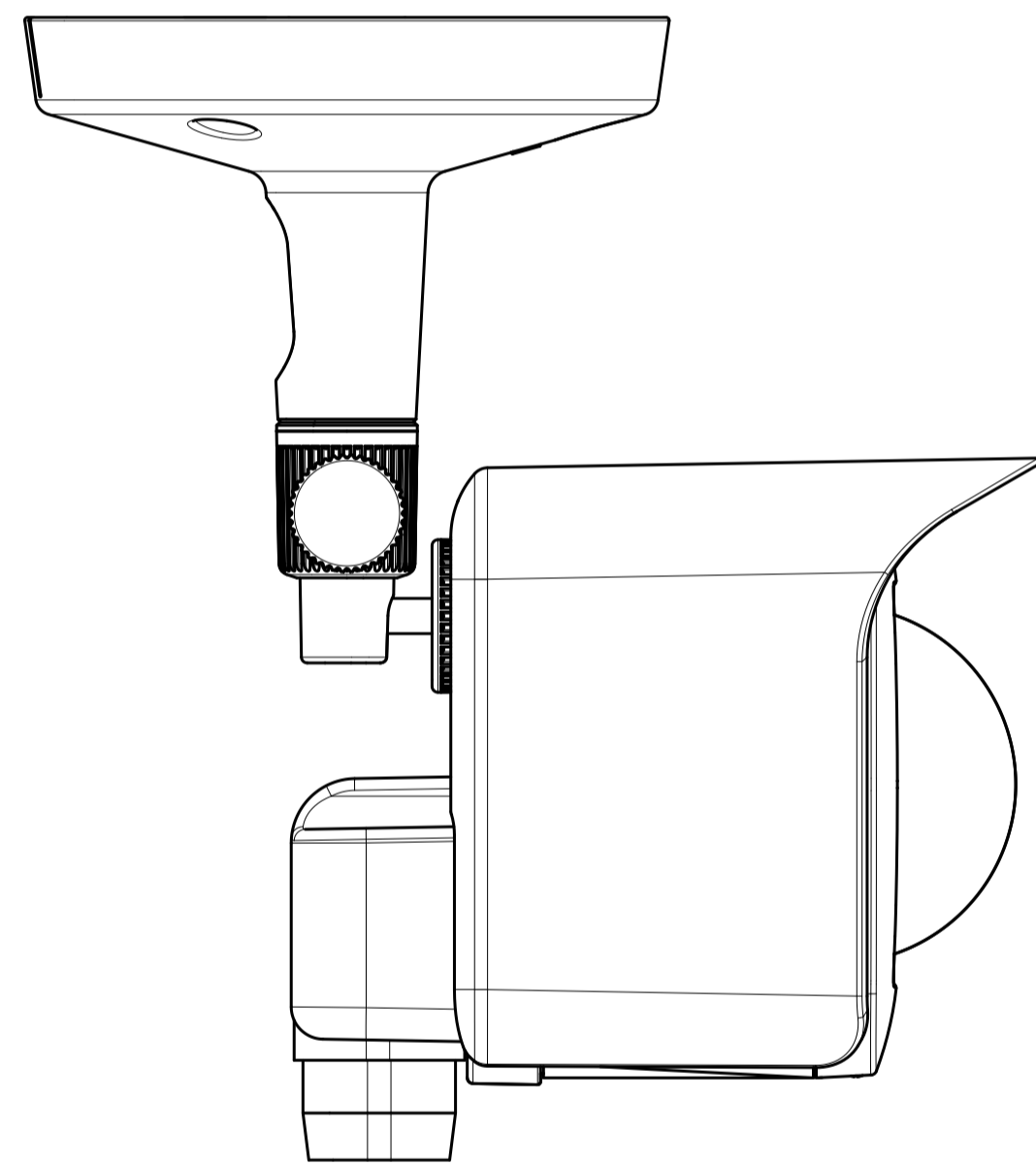
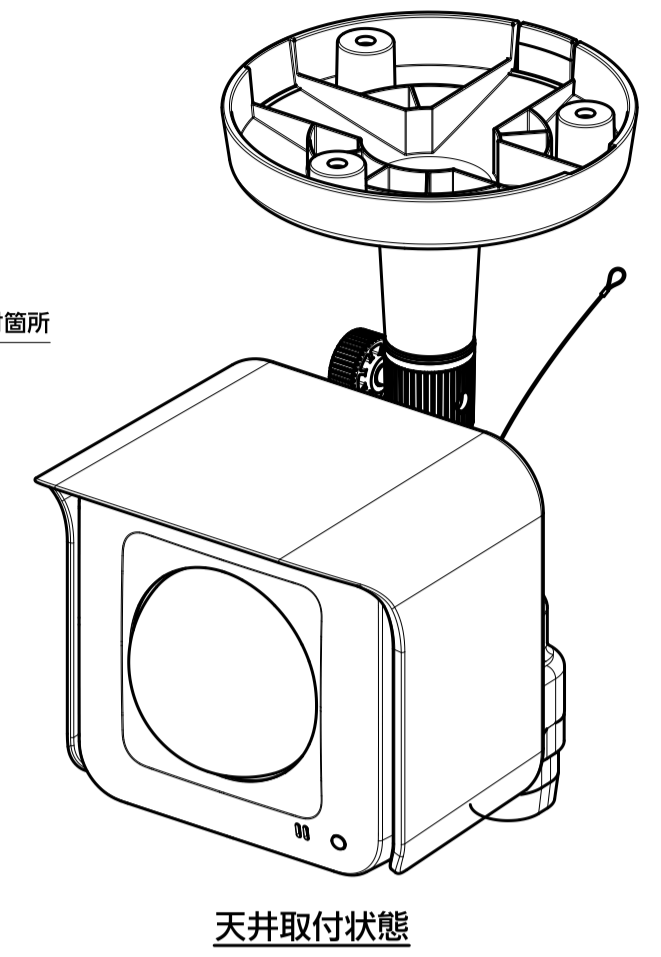


WV-SW174W



FCCラベル貼付箇所
銘板貼付箇所



Name Plate

FCC label

Panasonic

Model No. WV-SW174W

FCC ID : ACJ96NWV-SW174W

POWER 12 V \equiv 510 mA

USE ONLY WITH Panasonic AC ADAPTOR PQLV202.

Panasonic System Networks Co., Ltd. Made in China PGGT1152ZA

TYPE 3R
ENCLOSURE



THIS DEVICE COMPLIES WITH PART 15 OF THE FCC RULES. OPERATION IS SUBJECT TO THE FOLLOWING TWO CONDITIONS : 1) THIS DEVICE MAY NOT CAUSE HARMFUL INTERFERENCE, AND 2) THIS DEVICE MUST ACCEPT ANY INTERFERENCE RECEIVED, INCLUDING INTERFERENCE THAT MAY CAUSE UNDESIRE OPERATION.