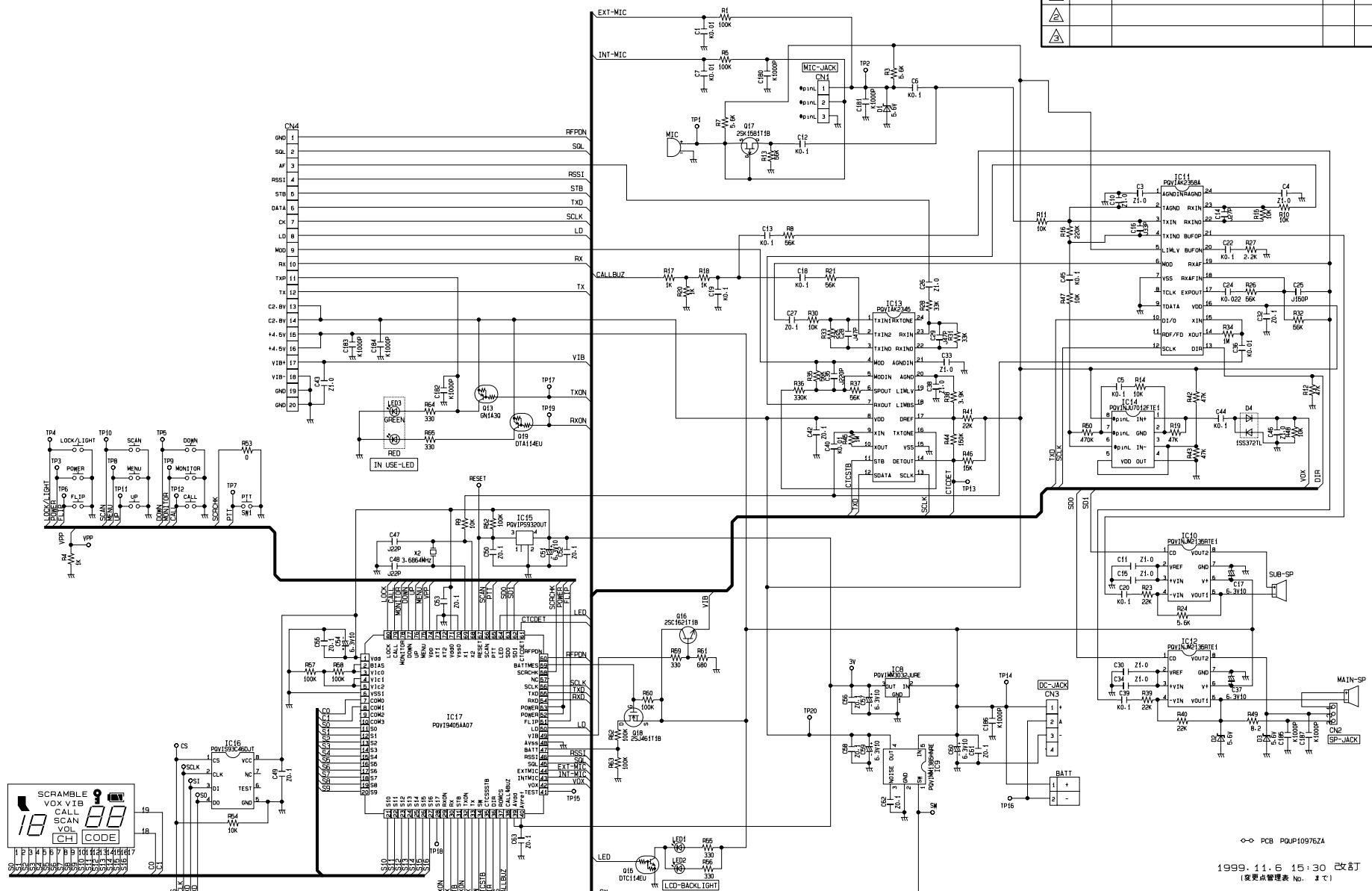


Sym.	Date	Revision	Signed	Checked
△				
△				
△				



○ PCB POU10976ZA  
1999.11.6 15:30 改訂  
(変更点管理表 参照)

KYUSYU MATSUSHITA ELECTRIC CO., LTD ENGINEERING DEPARTMENT. 4TH DIV.				Model	KXTR325S
				Name	FRS
Design	Drawn	Checked	Approved	Rev.	1
#NAME	SANADA	#NAME	#NAME	Code	1
#DATE	'99.9.2	#DATE	#DATE	Sheet	001.sht