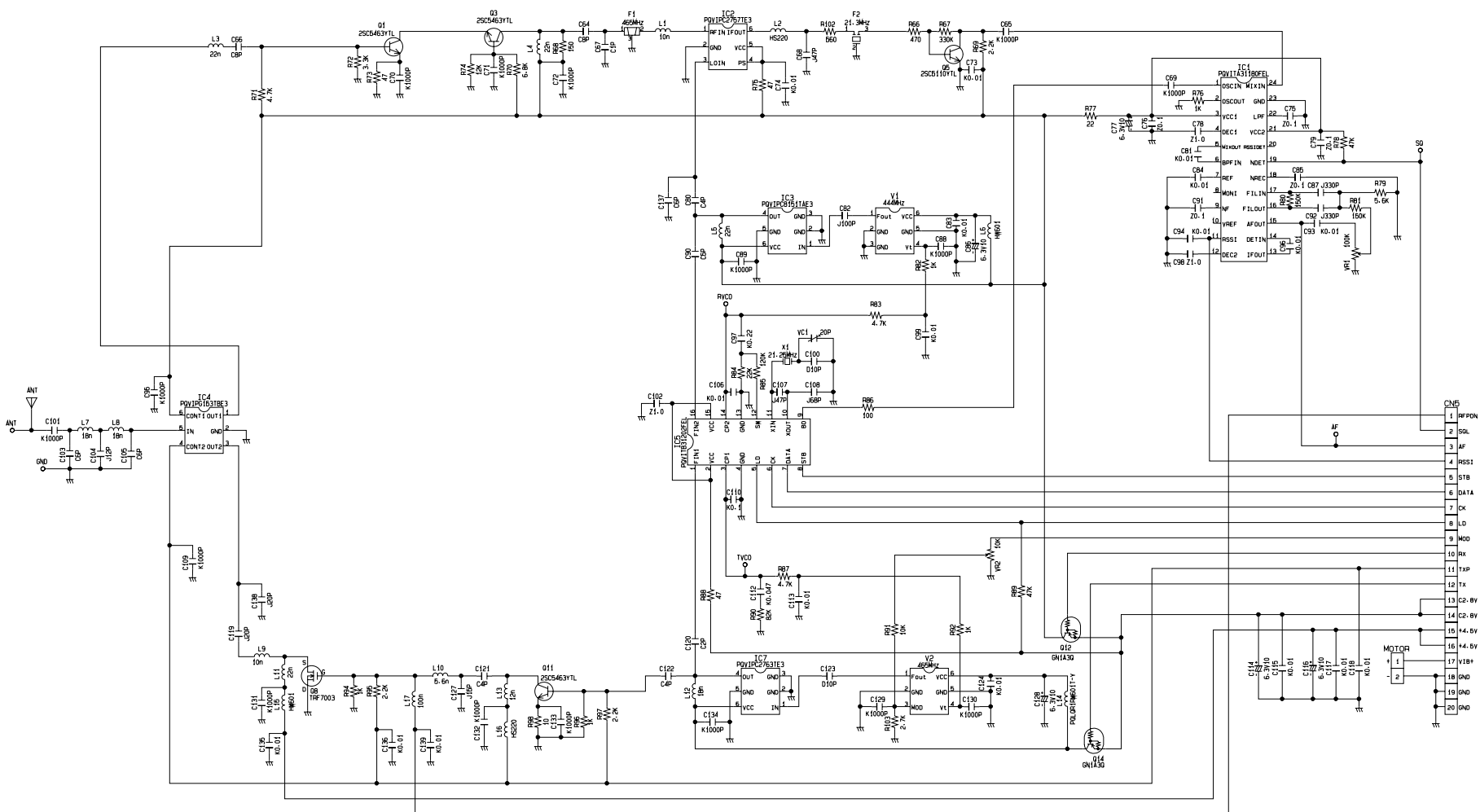


Sym.	Date	Revision	Signed	Checked
△				
△				
△				



○→ PCB P04P10977ZA

1999.11.6 15:30 改訂
[変更点管理表 No. まで]

KYUSYU MATSUSHITA ELECTRIC CO., LTD ENGINEERING DEPARTMENT. 4TH DIV.				Model	KXTR325S
				Name	FRS
Design	Drawn	Checked	Approved	Rev.	1
①NAME	SANADA	①NAME	①NAME	Code	P04P10977ZA
②DATE	'99.9.2	②DATE	②DATE	Sheet	001.sht