

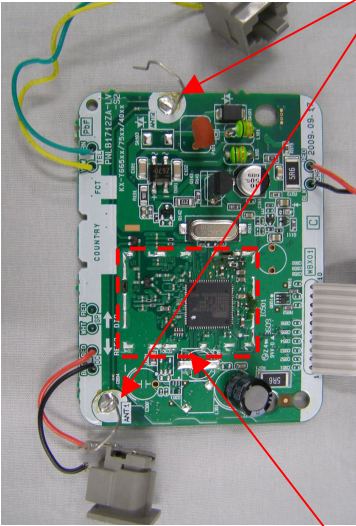
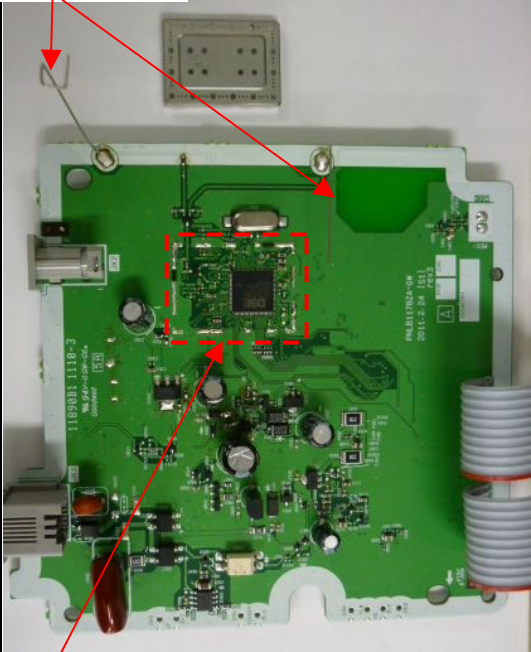


DESCRIPTION OF DIFFERENCES

between ORIGINAL and SIMILARITY

Name of Appliance : Cordless Telephone System
 SIMILARITY Model No. : KX-TG6671 (Base Unit)
 FCC ID : ACJ96NKX-TG6671

ORIGINAL Model No. : KX-TG651 (Base Unit)
 FCC ID : ACJ96NKX-TG6531
 Approval Date : December 9, 2009

	ORIGINAL KX-TG6531 1.9GHz US-DECT	NEW KX-TG6671 1.9GHz US-DECT
RF Type and Appearance		
P.C. Board	 <p style="color: red; text-align: center;">1.9GHz Antennas are different.</p> <p style="color: red; text-align: center;">RF Unit (1.9GHz Portion)</p>	 <p style="color: red; text-align: center;">Same 1.9GHz RF Unit</p> <p style="color: red; text-align: center;">RF Unit (1.9GHz Portion)</p>
<p>NOTE: The 1.9GHz RF unit of KX-TG6671 is identical to that of KX-TG6531 except for antennas.</p>		