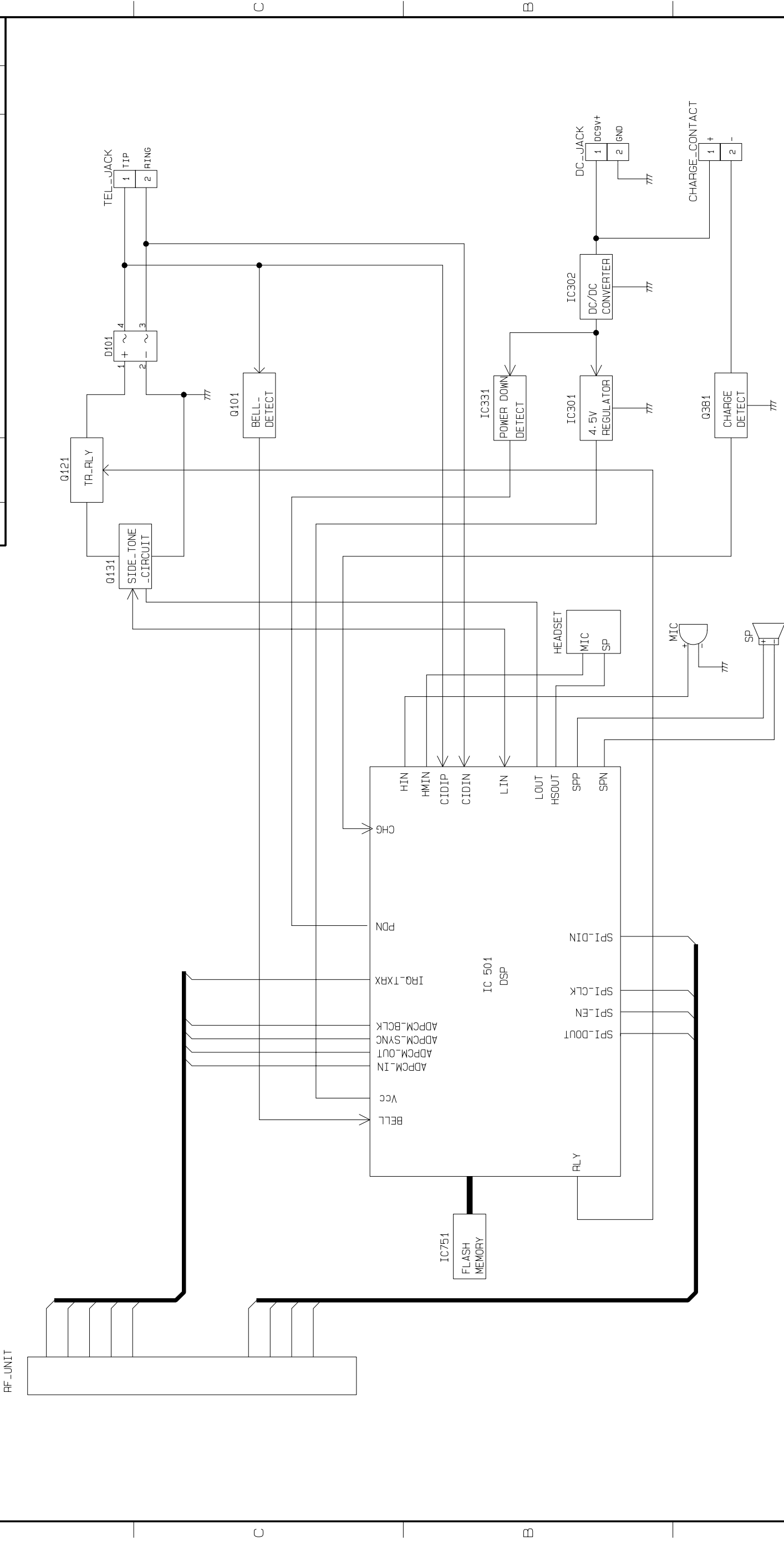


Sym.	Date	Revision	Signed	Checked
1				
2				
3				



Model1		Name	
KX-TG2670-N-H		BASE UNIT	
Designed	Drawn	Checked	Approved
NAME	M. ITOH	NAME	
DATE	DATE	Rev.	Code
'00.2.16			
Sheet		Sheet	
O1/O1		1	

1

2

3

4

5

6

D

C

B

A

3

4

5

6

2

1