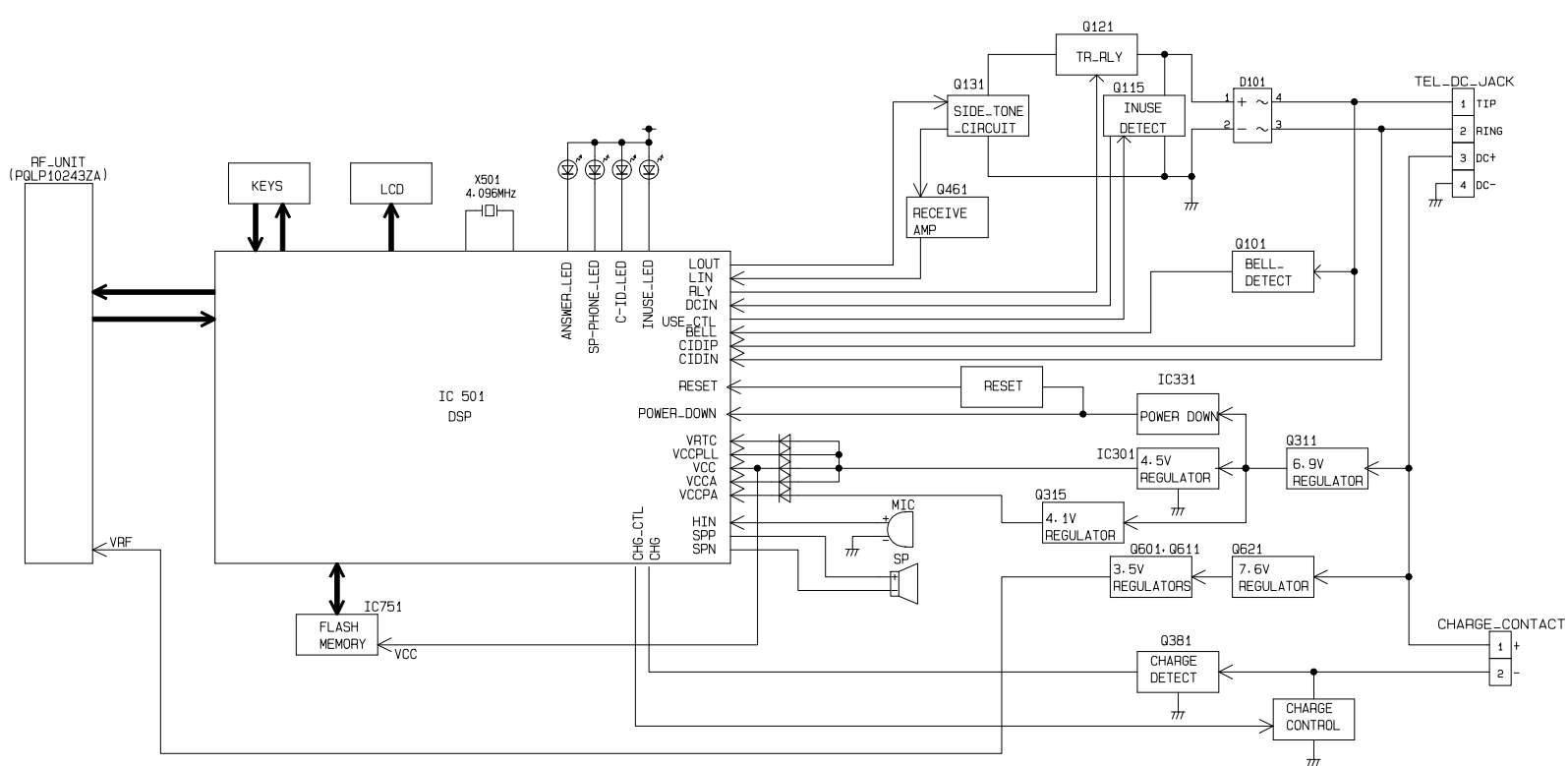
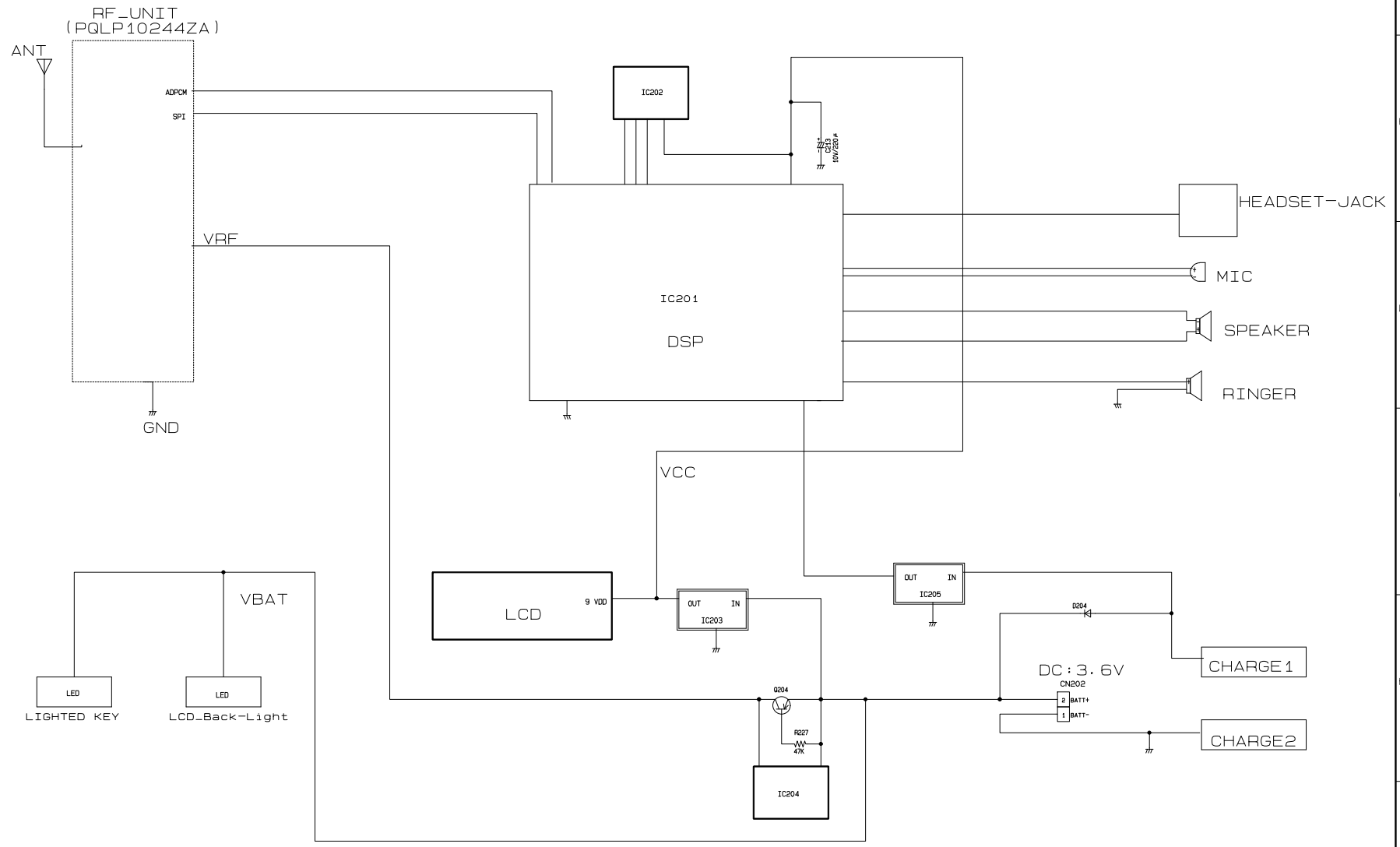


Sym.	Date	Revision	Signed	Checked
①				
②				
③				



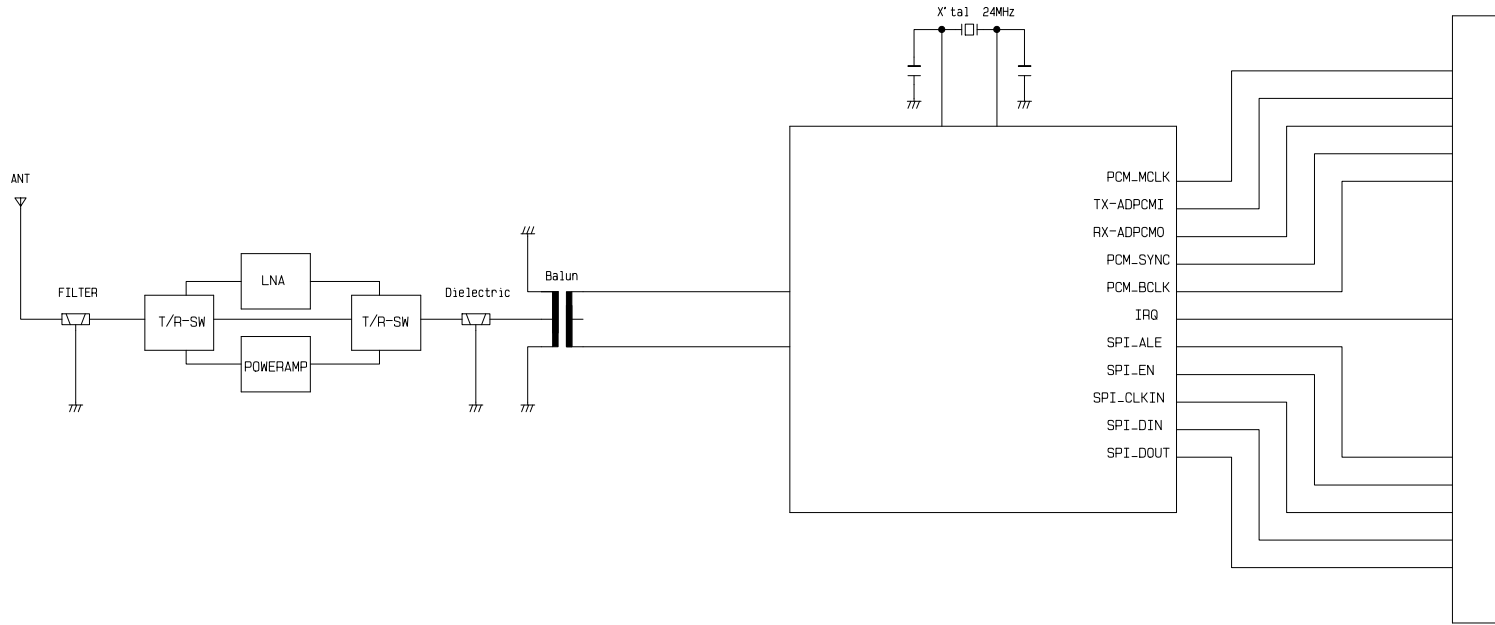
KYUSYU MATSUSHITA ELECTRIC CO., LTD					Model	KX-TG2583-H
ENGINEERING DEPARTMENT, TELECOM DIV.					Name	BASE UNIT
Designed	Drawn	Checked	Approved	Rev.	Name	BLOCK_DIAGRAM
SHIGEMATSU	SHIGEMATSU	FUJITA	KODAMA		Sheet	001.sht
20.NOV.00	20.NOV.00	20.NOV.00	20.NOV.00	Code		

PAGE G1 OF G1		ISSUE 1-1		D	
Rev.	Date	Revision	Signed	Checked	
⚠					
⚠					
⚠					



KYUSYU MATSUSHITA ELECTRIC CO., LTD				Model	KX-TG2583B-R
ENGINEERING DEPARTMENT, TELECOM DIV				Name	HANDSET
Design	Drawn	Checked	Approved	Rev.	Name
HAMADA	OHTUBO	FUJITA	KODAMA		BROCK-DIAGRAM
20.NOV.00	20.NOV.00	20.NOV.00	20.NOV.00	Code	Sheet

Sym.	Date	Revision	Signed	Checked
①				
②				
③				



KYUSYU MATSUSHITA ELECTRIC CO., LTD				Model	PQLP10243ZA/244ZA
ENGINEERING DEPARTMENT. TELECOM DIV.				Name	RF UNIT
Designed	Drawn	Checked	Approved	Rev.	Name
OHTUBO	NAKANO	FUJITA	KODAMA		BLOCK_BIAGRAM
20. NOV. 00	20. NOV. 00	20. NOV. 00	20. NOV. 00	Code	Sheet
					01/01