

KXTG2583SH

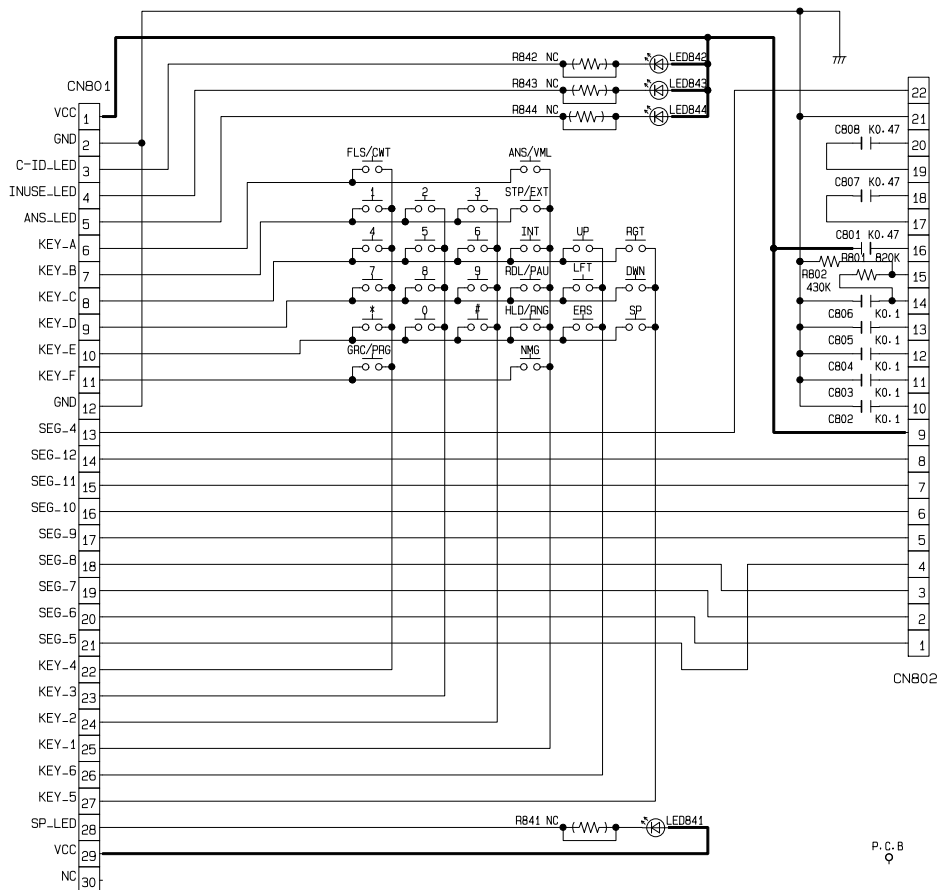
PAGE G1 OF G1
ISSUE 1-1

D

Sym.	Date	Revision	Signed	Checked
△1				
△2				
△3				

最新回路図 手配リスト

2AP



P.C.B

*LAST UP DATE 2000.10.16

KYUSYU MATSUSHITA ELECTRIC CO.,LTD					Model	KXTG2583SH
FAX ENGINEERING DEPT. 7TH DIV.					Name	BASE UNIT KEY
Designed	Drawn	Checked	Approved	Rev.	Name	PQUP1106BZA
N. FUJITA	H. SHIGEMATSU	****	****		Code	2
00.07.07	00.07.27	00.**.**	00.**.**		Sheet	001.sht