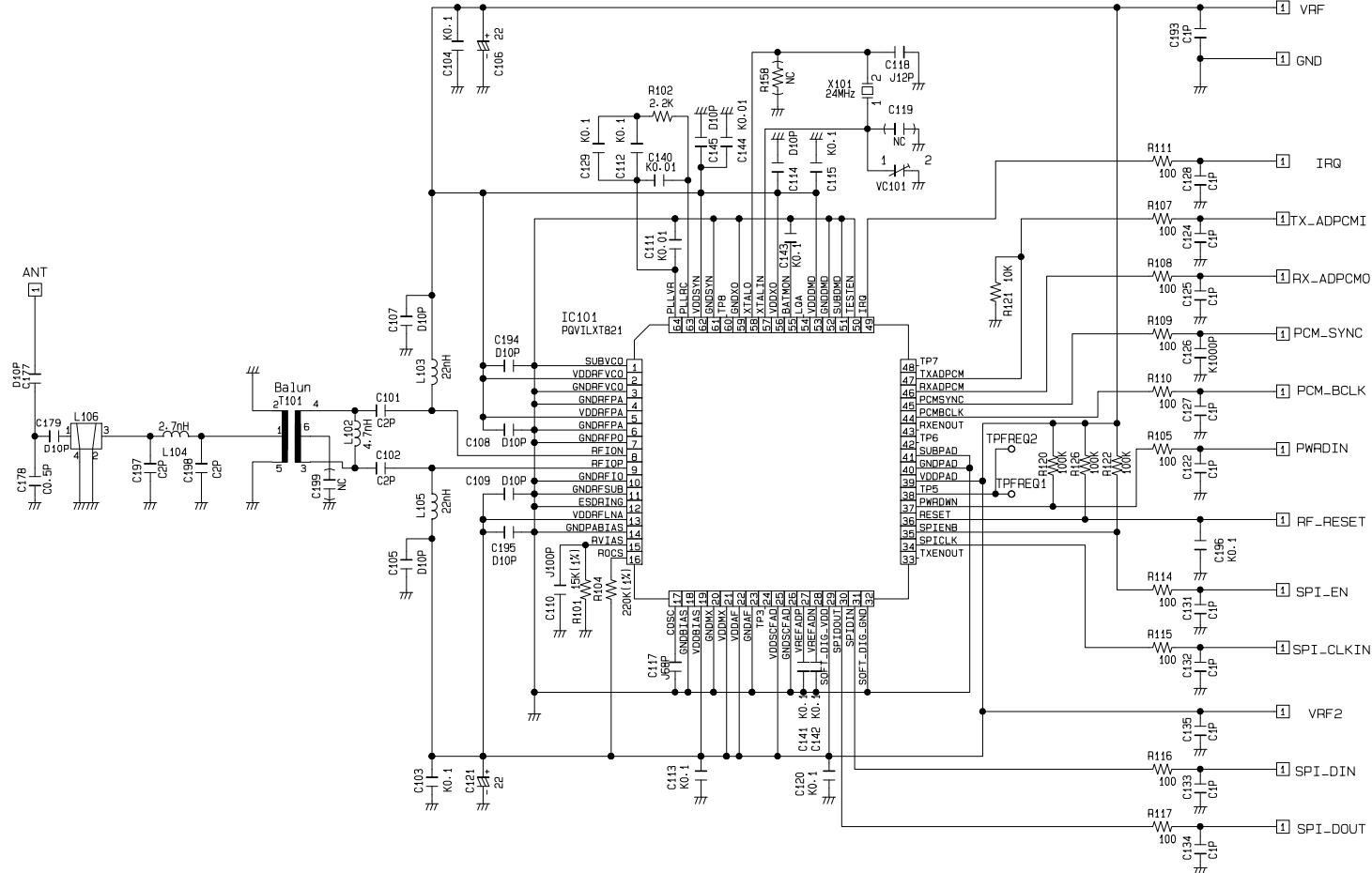


Sym.	Date	Revision	Signed	Checked
①				
②				
③				



KYUSYU MATSUSHITA ELECTRIC CO., LTD				Model	LP10248ZA
ENGINEERING DEPARTMENT. TELECOM DIV.				Name	RF UNIT
Designed	Drawn	Checked	Approved	Rev.	Name
①NAME	NAKANO	OTSUBO	KODAMA		PQUP11105ZA
①DATE	2001.04.23	2001.04.23	2001.04.23	Code	Sheet
				1	001.sht

P.C.B
(○ ○ ○)

U.ShieldShield
(○ ○ ○)

D
C
B
A
6
5
4
3
2
1