

PQLP10248ZA

PAGE G1 OF G1  
ISSUE 1-1

D

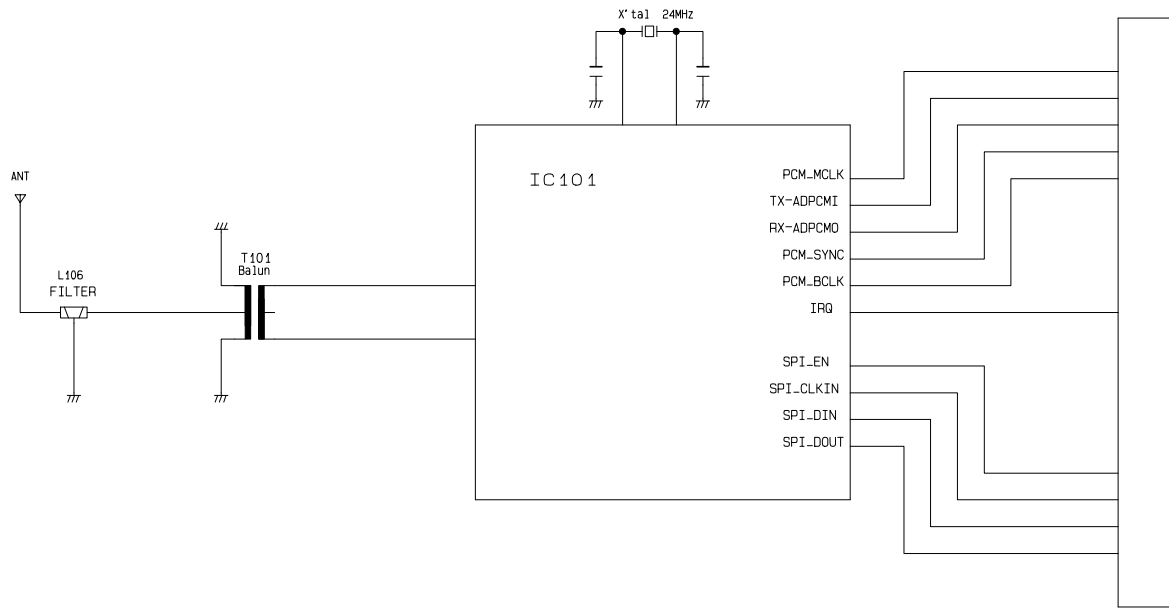
Rev.	Date	Revision	Signed	Checked
1				
2				
3				

D

C

B

A



D

C

B

A

KYUSYU MATSUSHITA ELECTRIC CO., LTD				Model	PQLP10248ZA
ENGINEERING DEPARTMENT. TELECOM DIV.				Name	RF UNIT
Designed	Drawn	Checked	Approved	Rev.	Name
NAKANO	HAMADA	OTSUBO	KODAMA		BLOCK_BIAGRAM
27. APR. 01	27. APR. 01	27. APR. 01	20. NOV. 00	Code	Sheet
					01/01