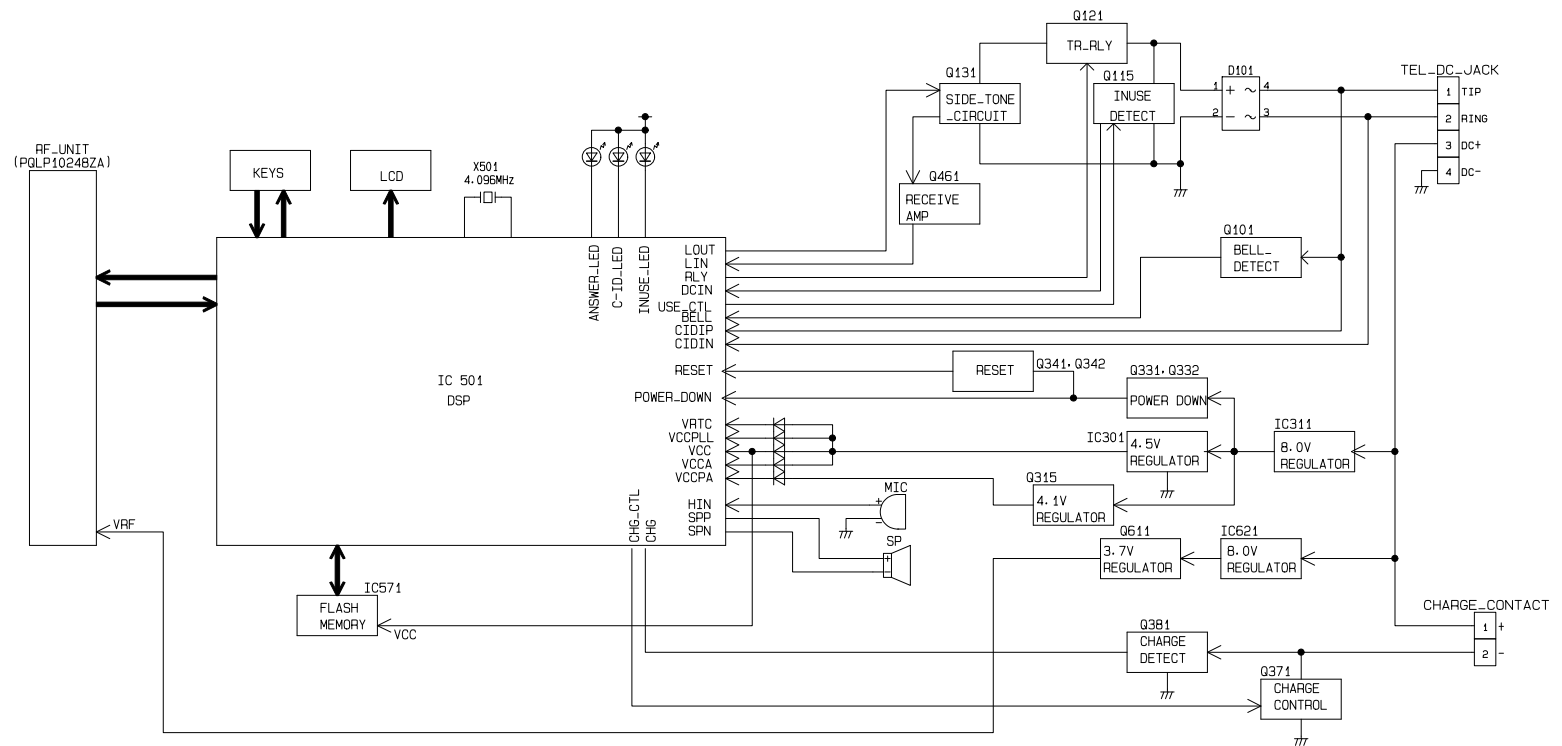


Sym.	Date	Revision	Signed	Checked
①				
②				
③				



KYUSYU MATSUSHITA ELECTRIC CO., LTD					Model	KX-TG2481-H
ENGINEERING DEPARTMENT. TELECOM DIV.					Name	BASE UNIT
Designed	Drawn	Checked	Approved	Rev.	Name	BLOCK_DIAGRAM
SHIGEMATSU	SHIGEMATSU	OTSUBO	KODAMA		Code	
27. APR. 01	27. APR. 01	27. APR. 01	27. APR. 01		Sheet	001.sht